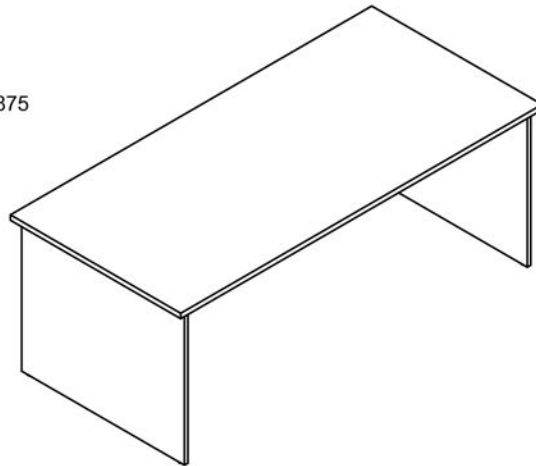


Office Furniture Brisbane

ASSEMBLY INSTRUCTIONS R20-DK & R20-DKS

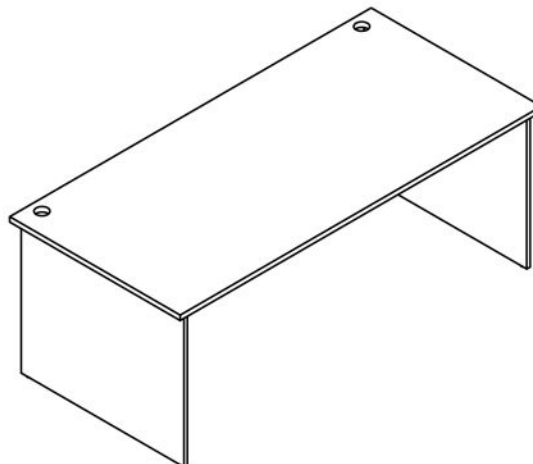
OPTION 1

R20-TT1875 assembly with R20-DB1875

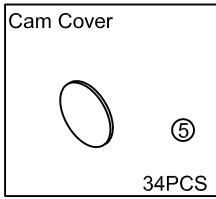
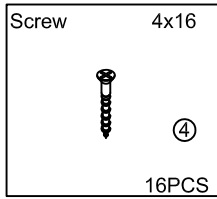
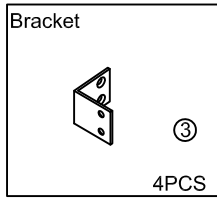
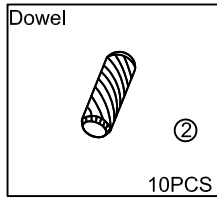
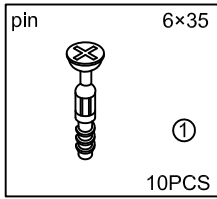
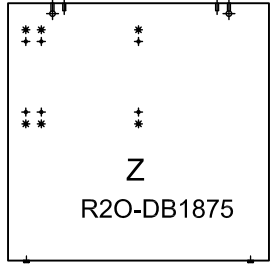
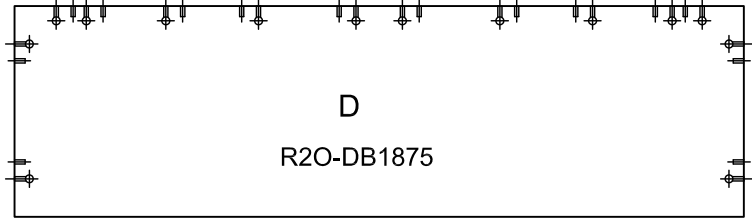
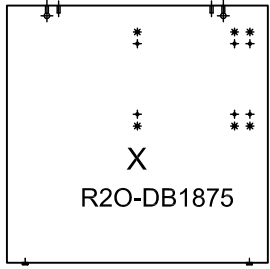
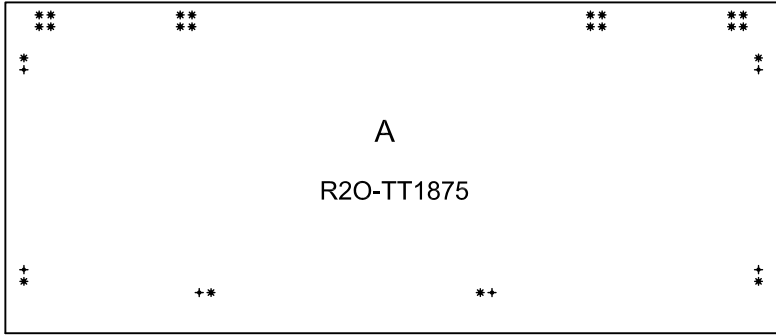


OPTION 2

R20-DT1875 assembly with R20-DB1875

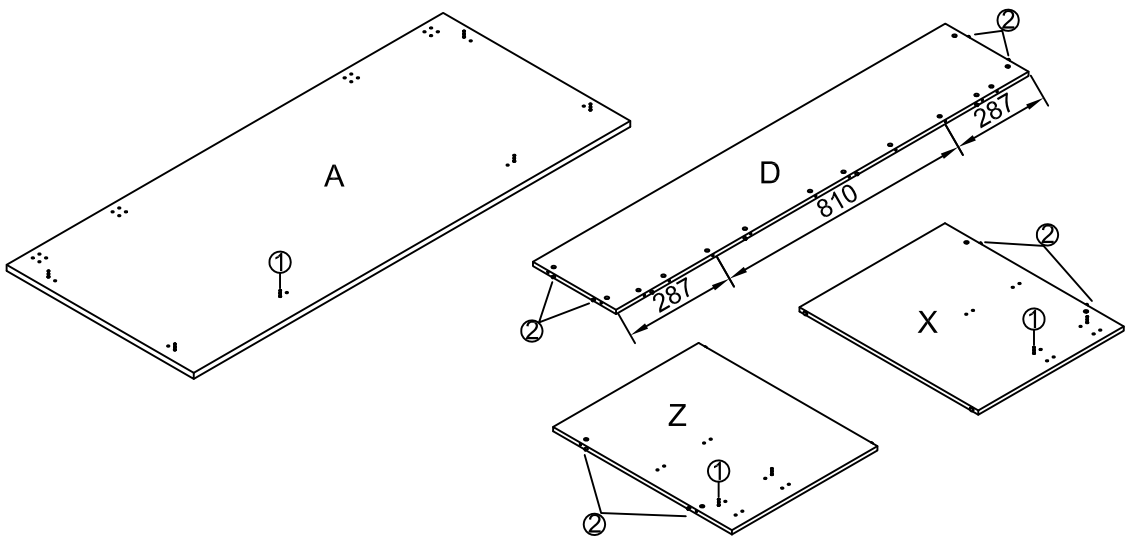


PLEASE NOTE:
THIS RETURN TOP CAN ASSEMBLE WITH
METAL FRAMES. IF YOU ARE ASSEMBLING
WITH METAL FRAMES, DISREGARD THESE
INSTRUCTIONS AS THIS TOP CAN BE USED
FOR MULTIPLE DIFFERENT METAL BASES



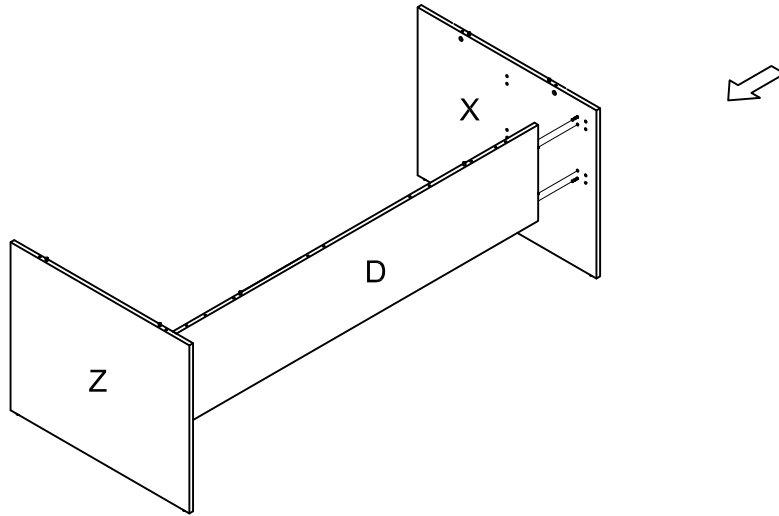
OPTION 1

1

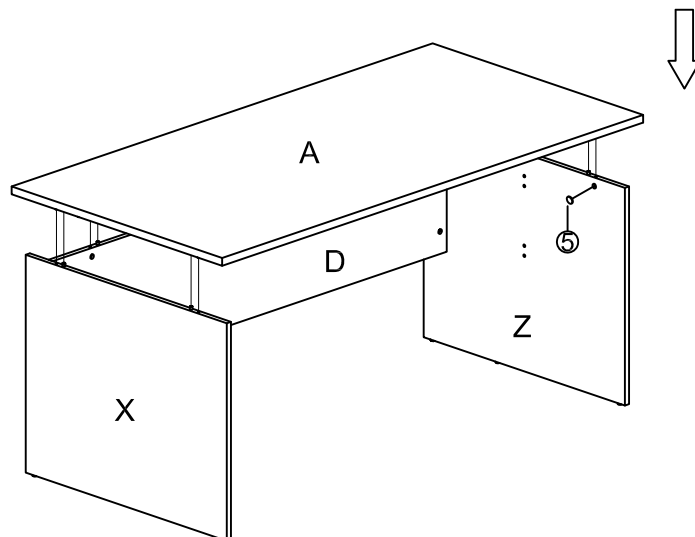


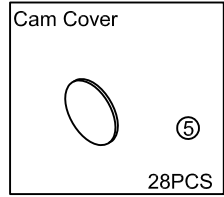
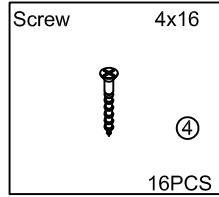
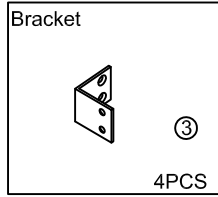
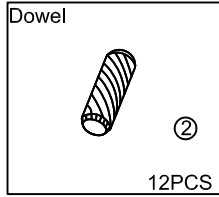
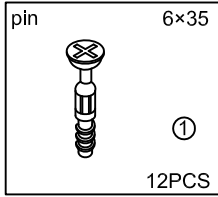
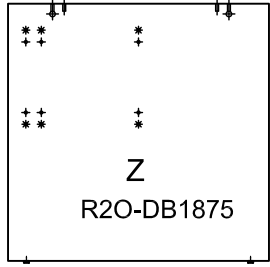
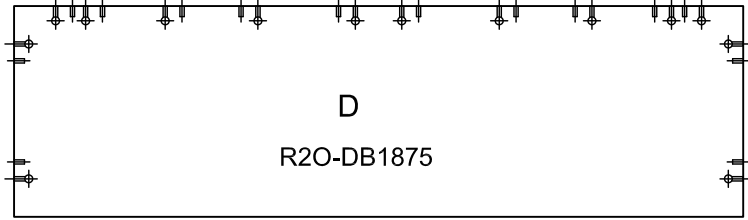
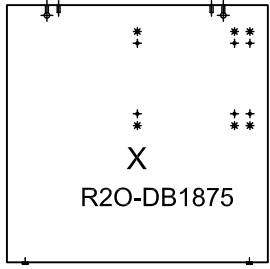
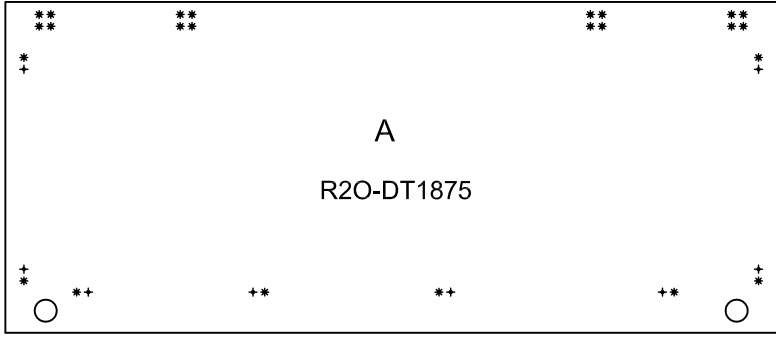
OPTION 1

2



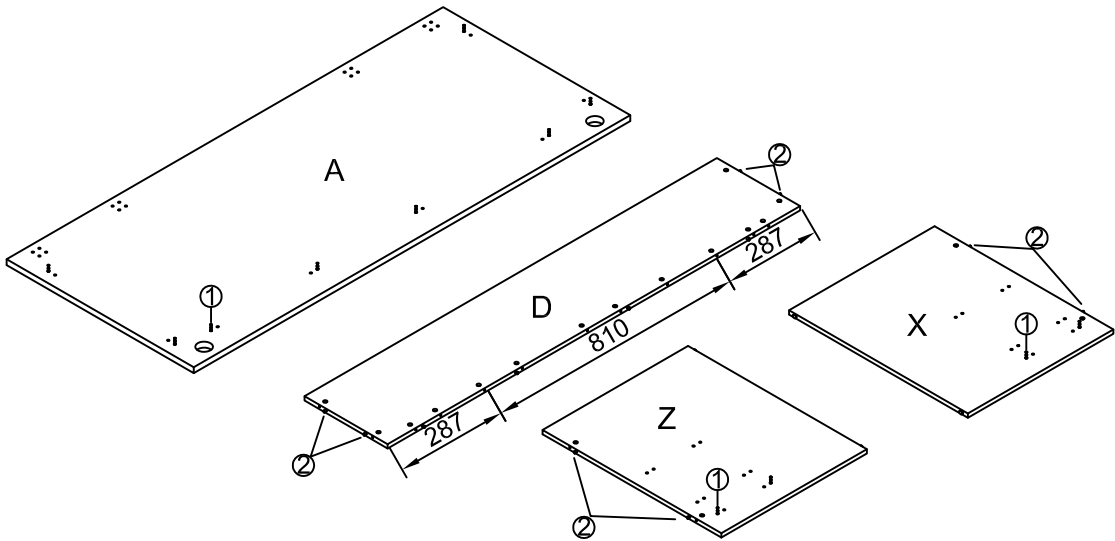
3





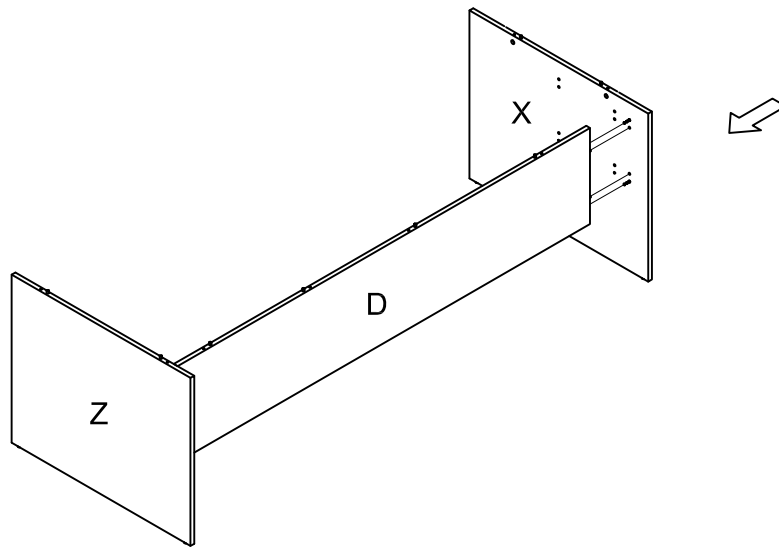
OPTION 2

1



OPTION 2

2



3

