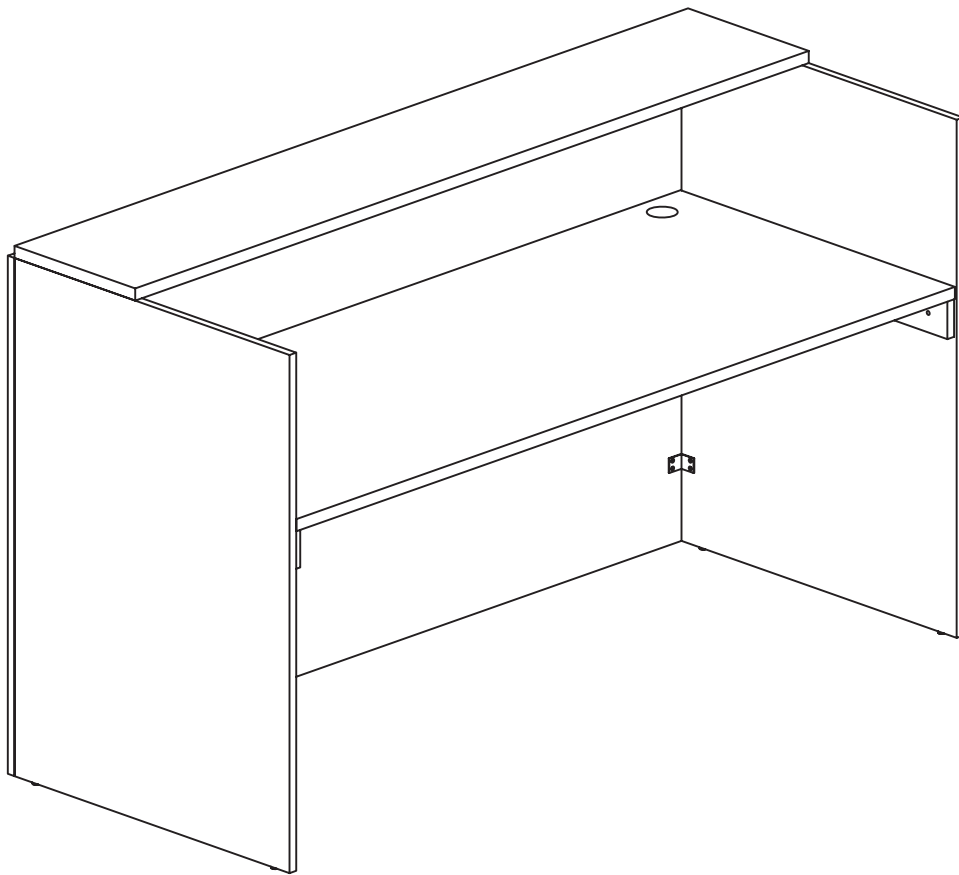
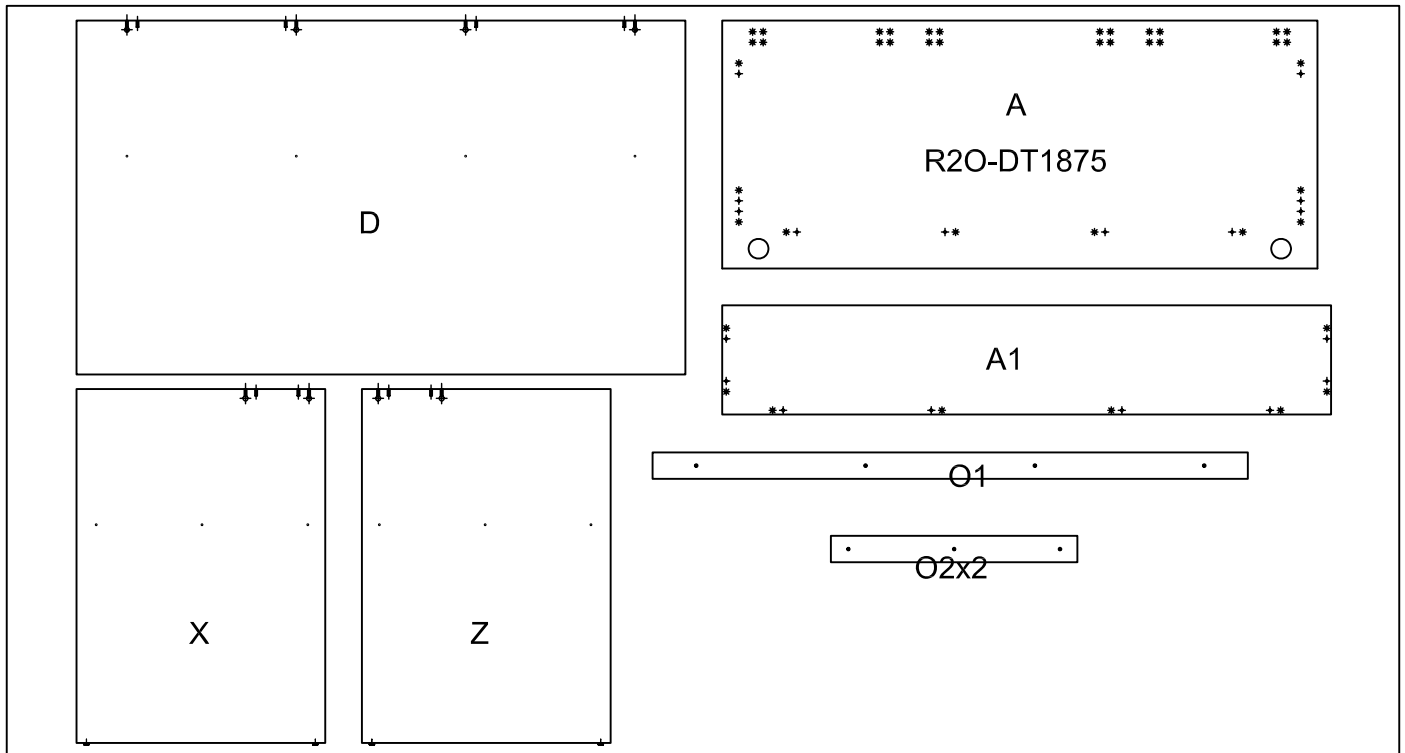








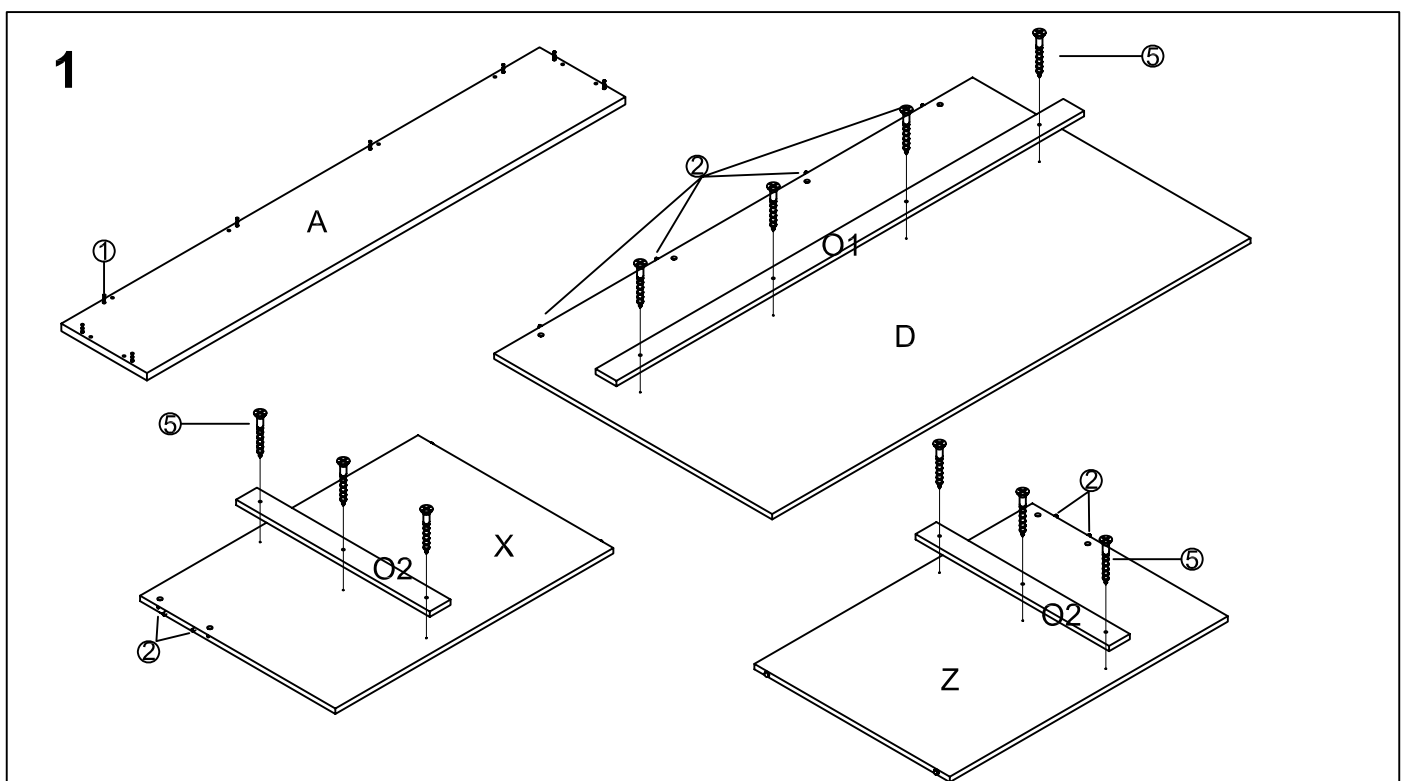
Office FURNITURE  
Brisbane

ASSEMBLY INSTRUCTIONS  
FULL FRONT Reception Desk  
R20-DFF187





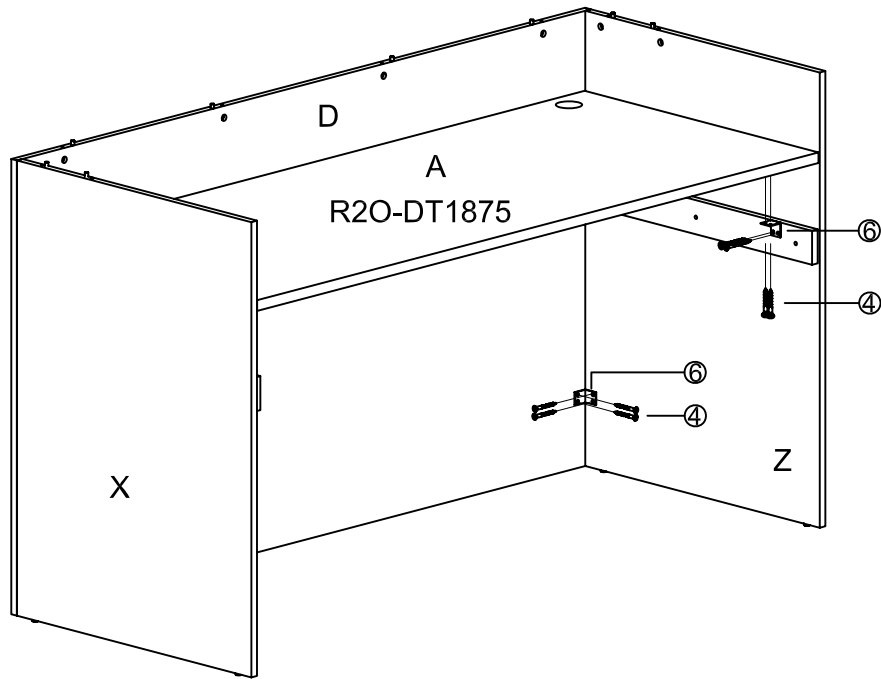
pin  6x35 ① 8PCS	Dowel  8x30 ② 8PCS	Cam Cover  ③ 8PCS	Screw  4x16 ④ 40PCS	Screw  3.5x30 ⑤ 10PCS	Bracket  ⑥ 10PCS
--	--	--	---	---	---



**Preparation for Top panel A Side panel X/Z, back panels D, Batten O1, O2.**

1. Fix cams on panel Y into cam bolts ① on panel D and tighten in a clockwise direction as illustrated above.
2. Joining panel D and side panel O1 with ⑤ and tighten in a clockwise direction as illustrated above.
3. Joining panel X, Z and side panel O2 with ⑤ and tighten in a clockwise direction as illustrated above.

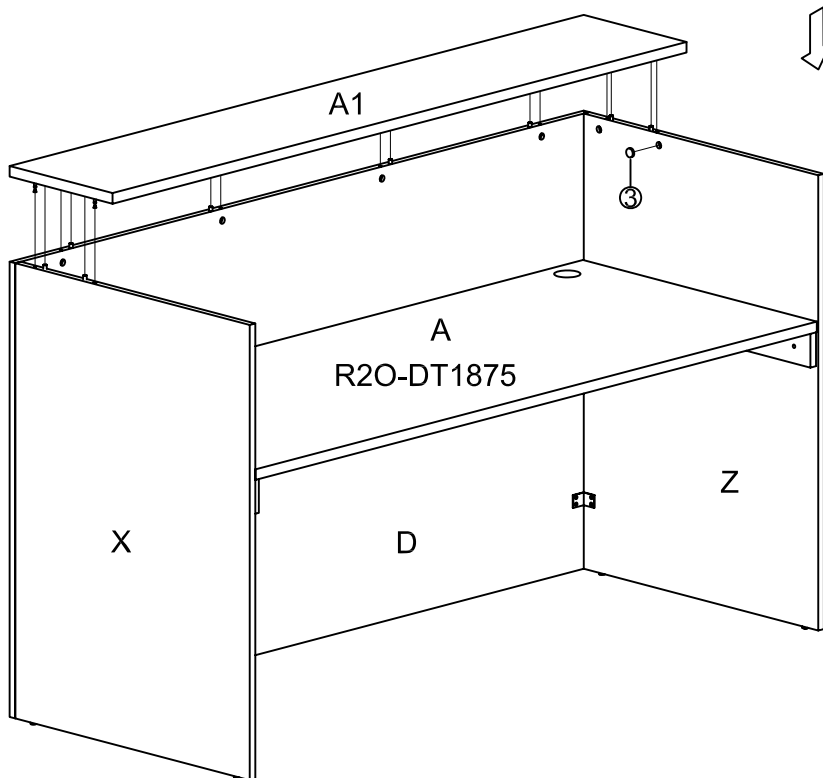
2



**Desk top panel A assembly.**

1. Joining panel D and side panel X,Z with ④⑥ and tighten in a clockwise direction as illustrated above.
2. Joining panel A and side panel O1,O2 with ④⑥ and tighten in a clockwise direction as illustrated above.

3



**Desk top panel A1 assembly.**

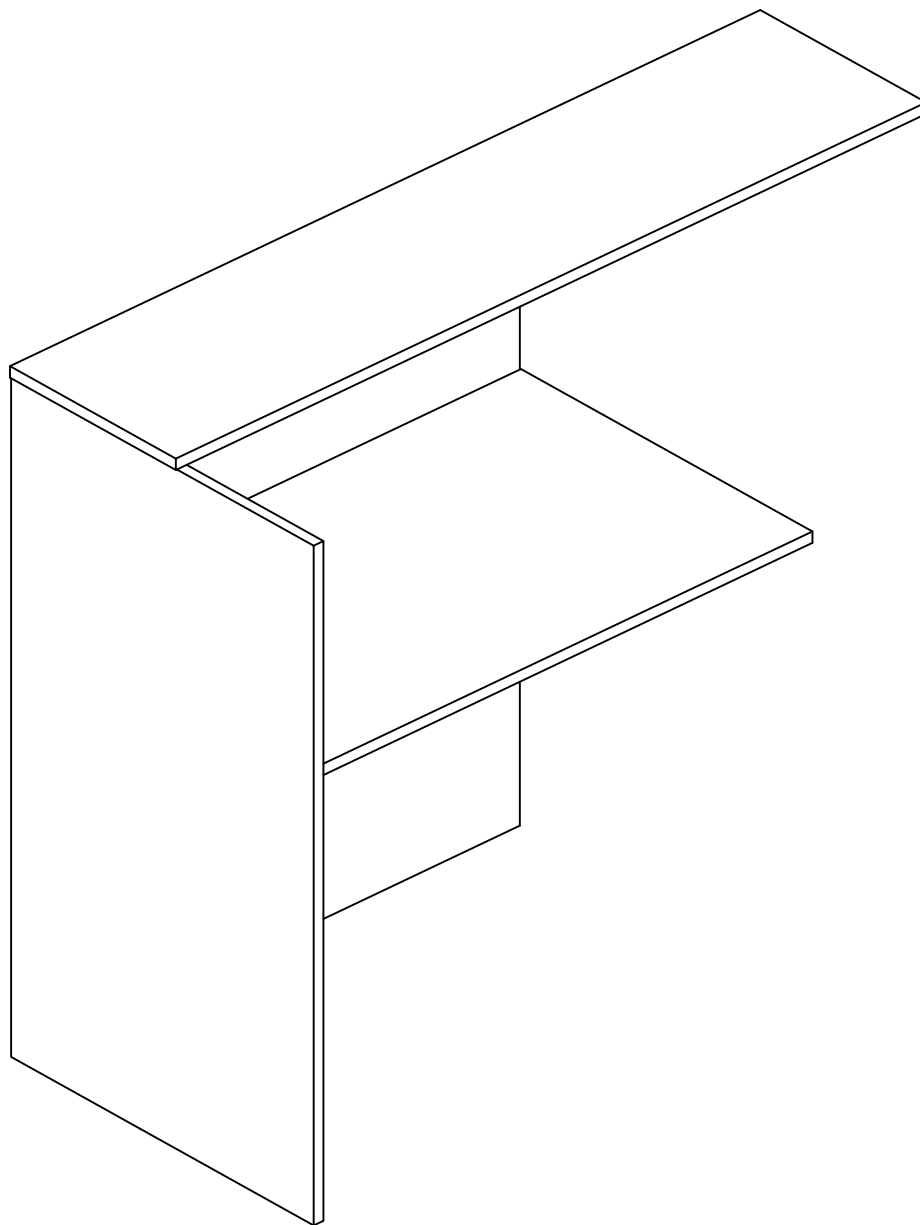
1. Insert cam bolts ① on panel A1 into cams on panels Z/X and D and tighten in a clockwise direction as illustrated above.

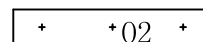
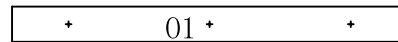
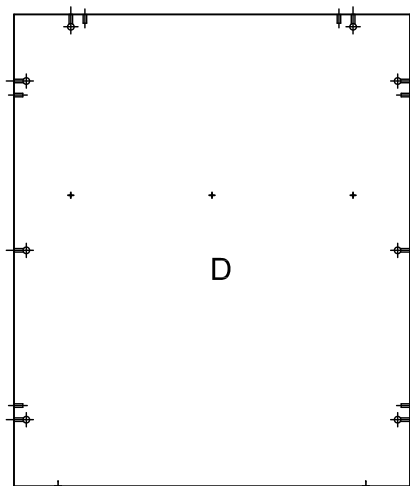
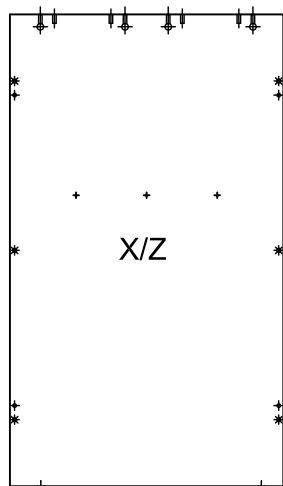








# ASSEMBLY INSTRUCTIONS

## Return for Reception

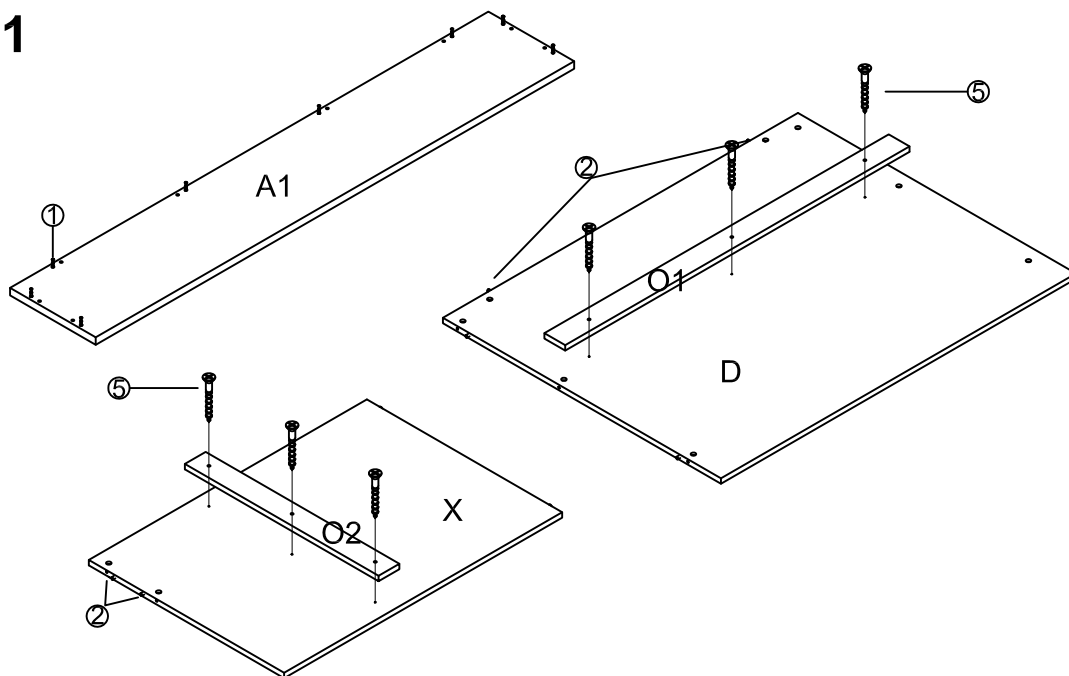
### R20-FFR & R20-RT96





pin  ① 7PCS	Dowel  ② 6PCS	Cam Cover  ③ 12PCS	Screw  ④ 20PCS	Screw  ⑤ 6PCS	Bracket  ⑥ 5PCS
--	--	---	---	--	--

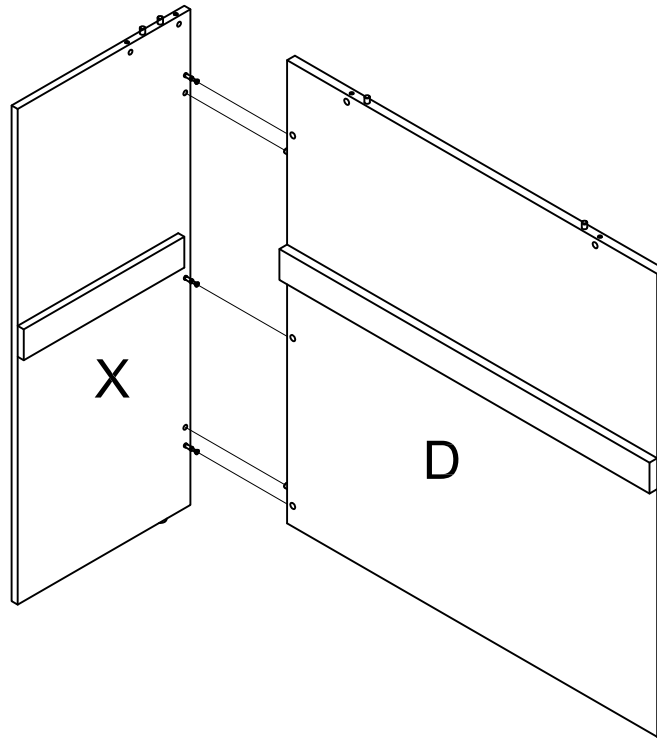
1



**Preparation for Top panel A Side panel X/Z, back panels D, Batten O1, O2.**

1. Fix cams on panel Y into cam bolts ① on panel D and tighten in a clockwise direction as illustrated above.
2. Joining panel D and side panel O1 with ⑤ and tighten in a clockwise direction as illustrated above.
3. Joining panel X, Z and side panel O2 with ⑤ and tighten in a clockwise direction as illustrated above.

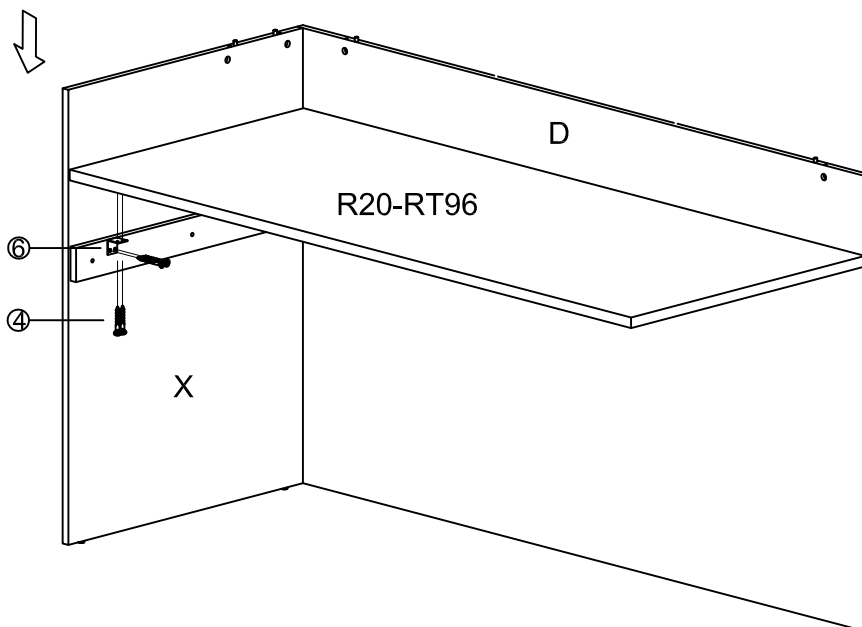
2



**panel Z/X back panels D assembly.**

1. Insert cam bolts ① on panel X and Z into cams on panels D and tighten in a clockwise direction as illustrated above.

3

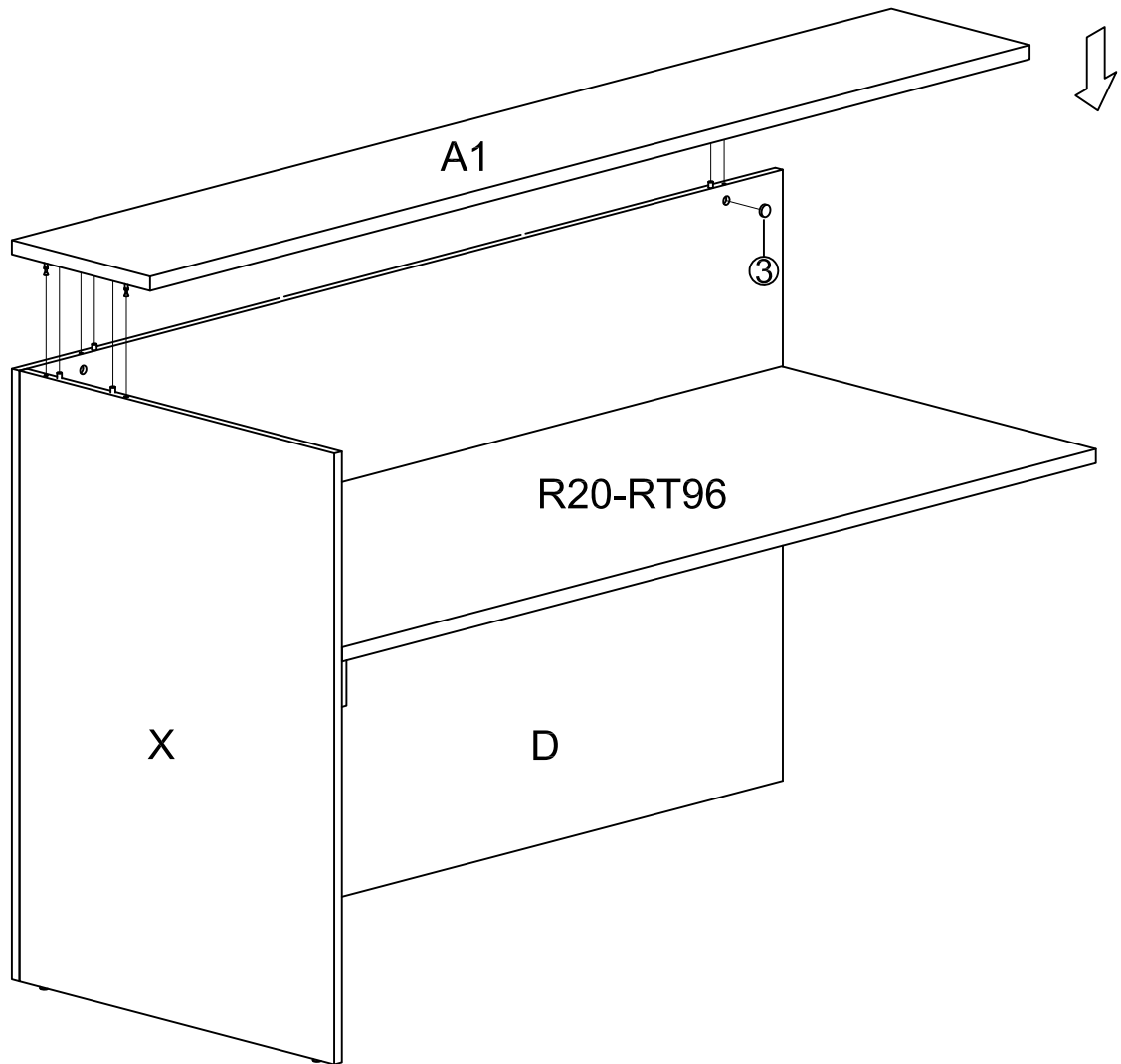


**Desk top panel A assembly.**

1. Joining panel D and side panel X/Z with ④ ⑥ and tighten in a clockwise direction as illustrated above.

2. Joining panel A and side panel O1,O2 with ④ and tighten in a clockwise direction as illustrated above.

2



**Desk top panel A1 assembly.**

1. Insert cam bolts ③ on panel A1 into cams on panels Z/X and D and tighten in a clockwise direction as illustrated above.