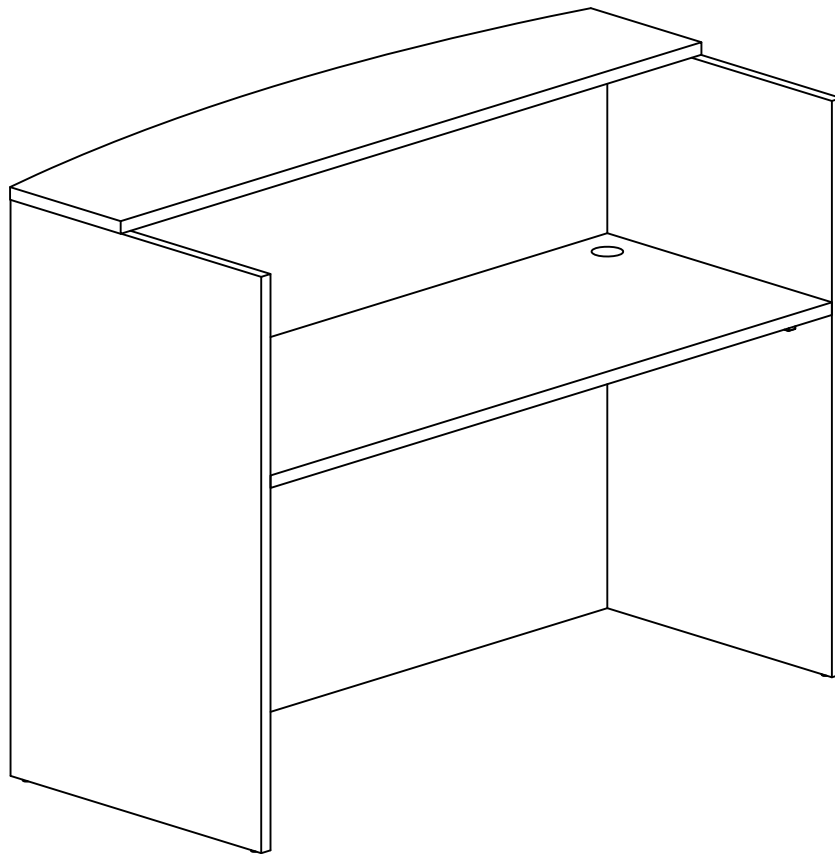
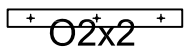
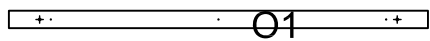
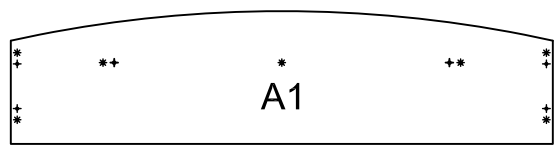
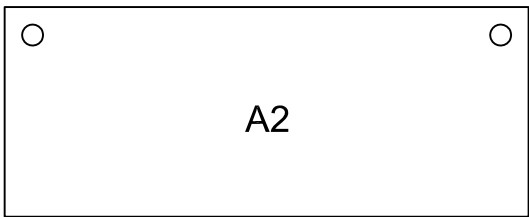
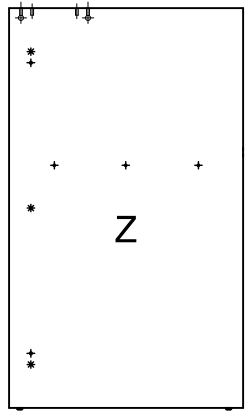
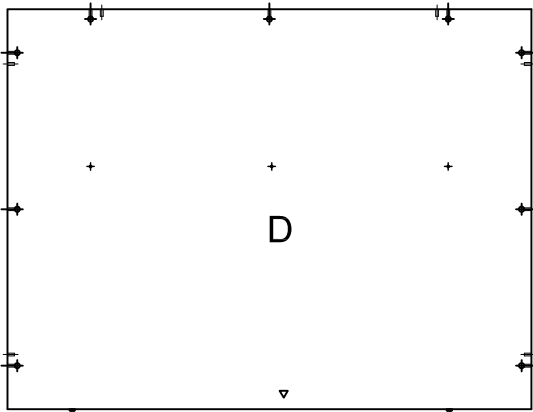
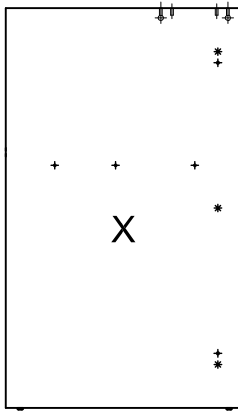
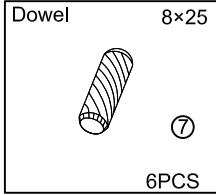
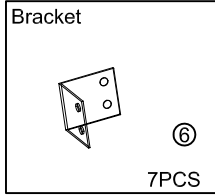
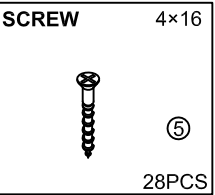
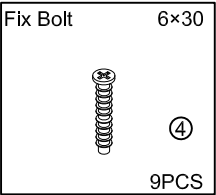
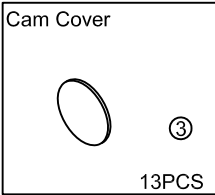
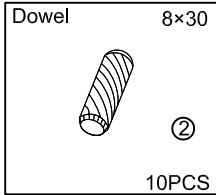
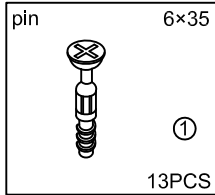
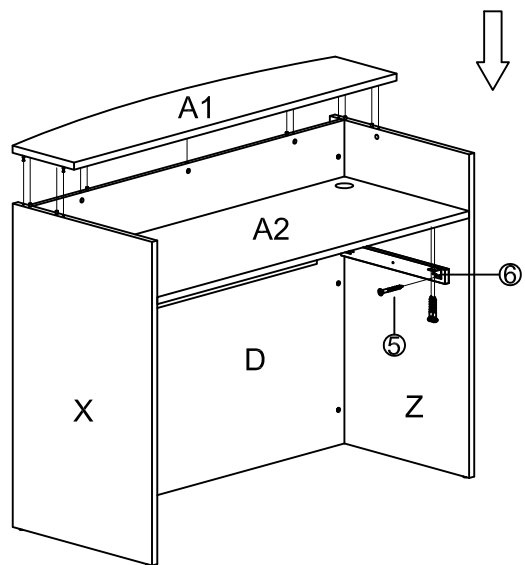
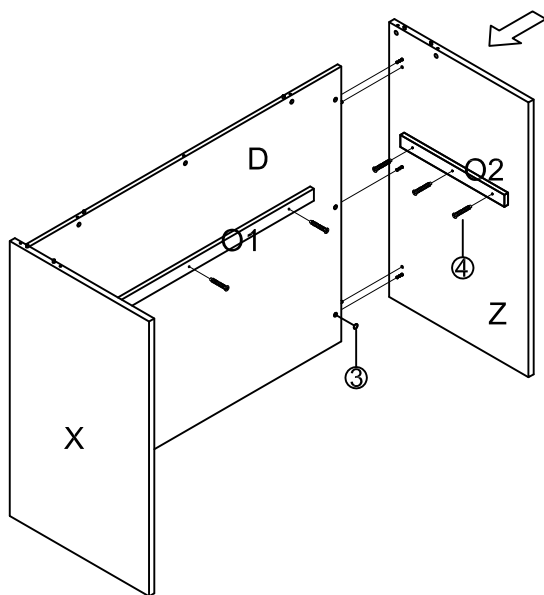
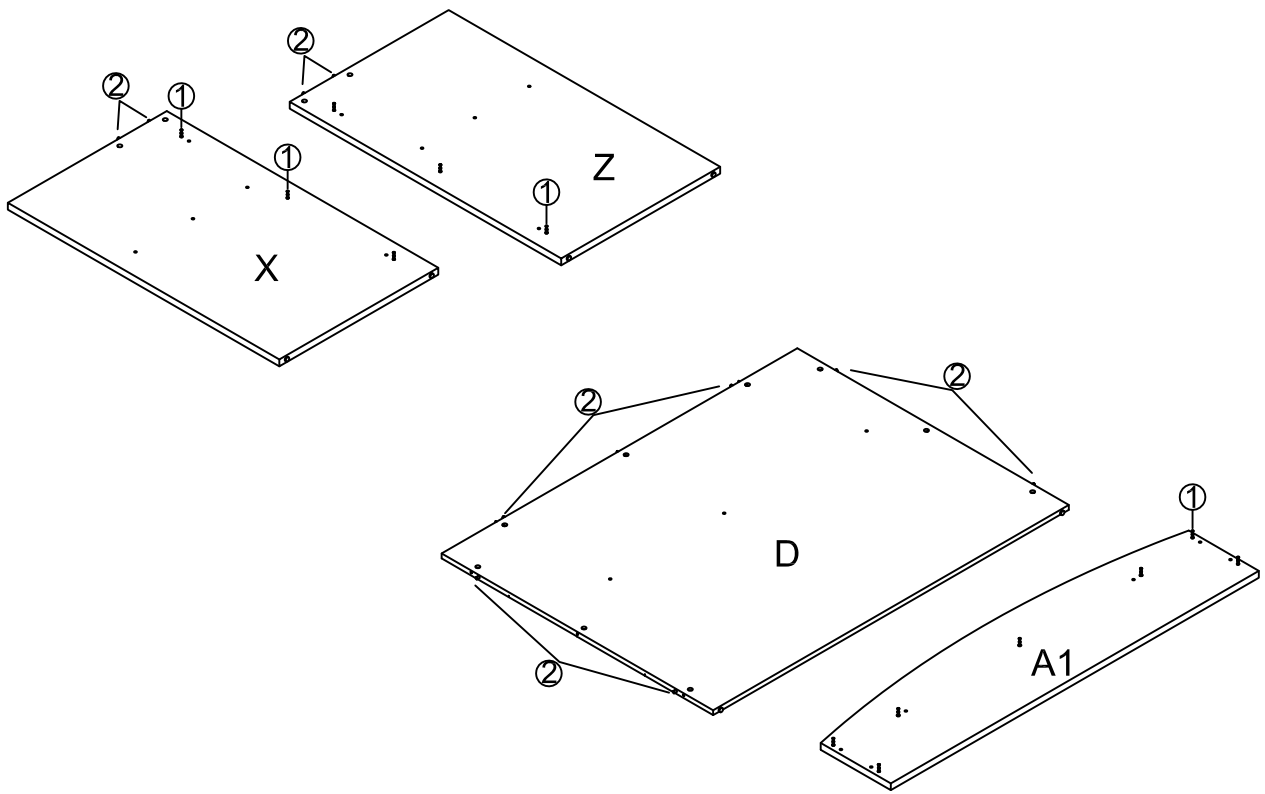


Office FURNITURE
Brisbane

ASSEMBLY INSTRUCTIONS
Full Front Reception Desk 2
R20-RD2

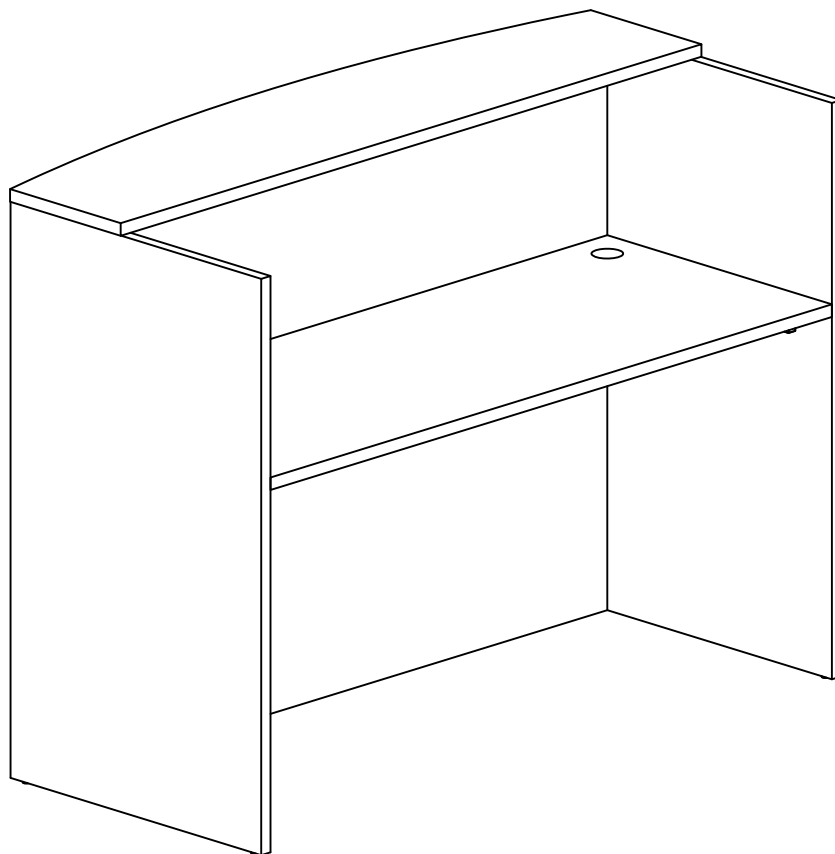


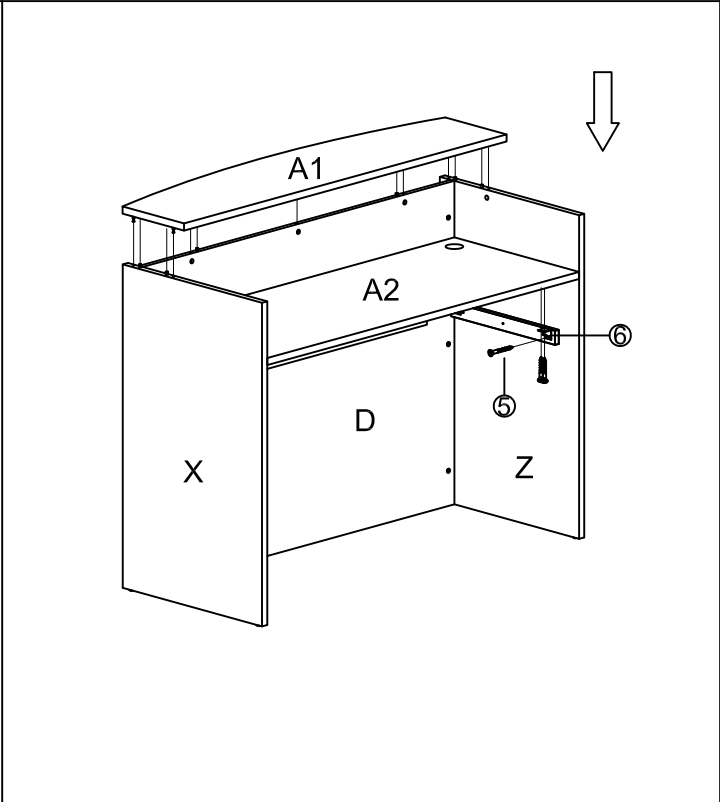
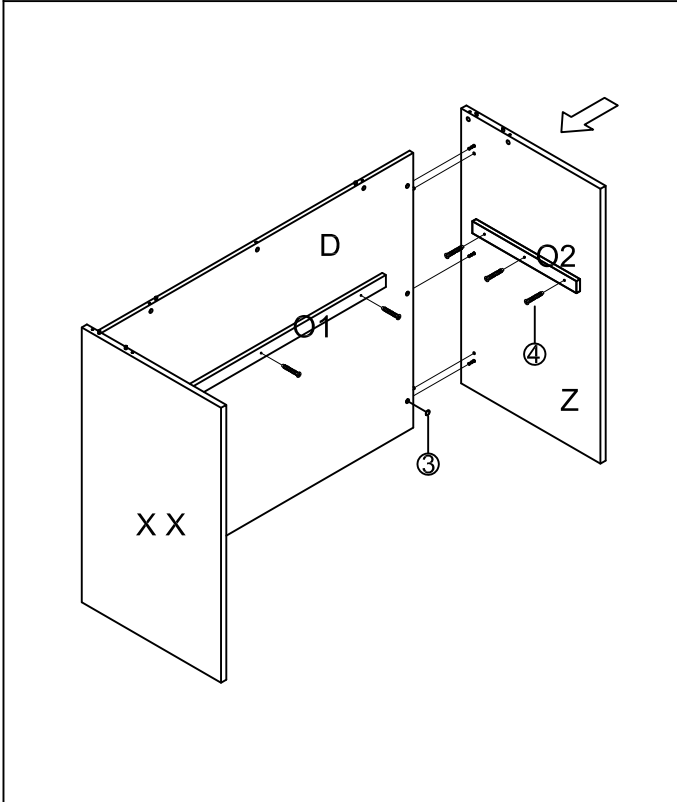
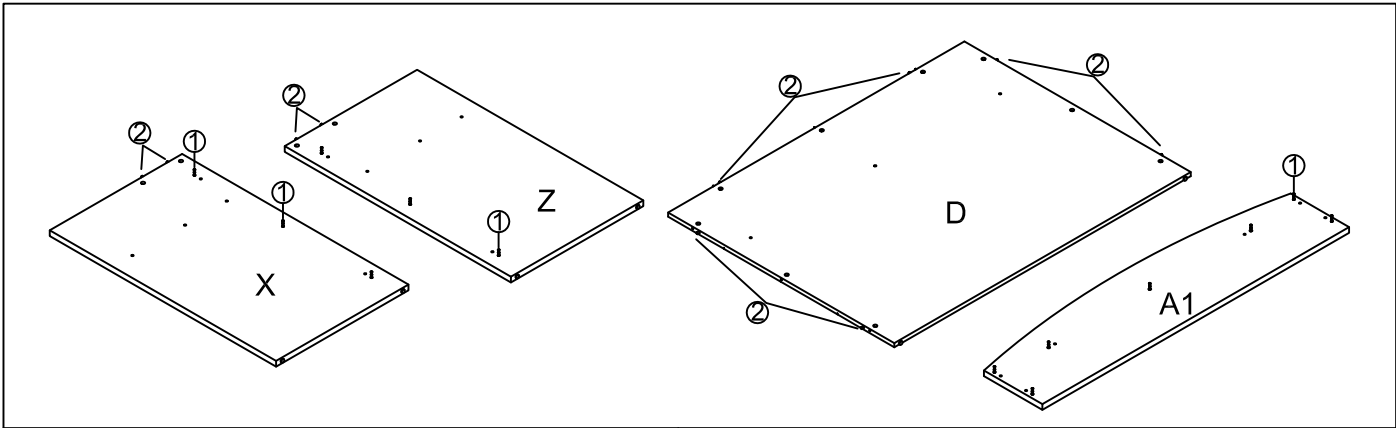
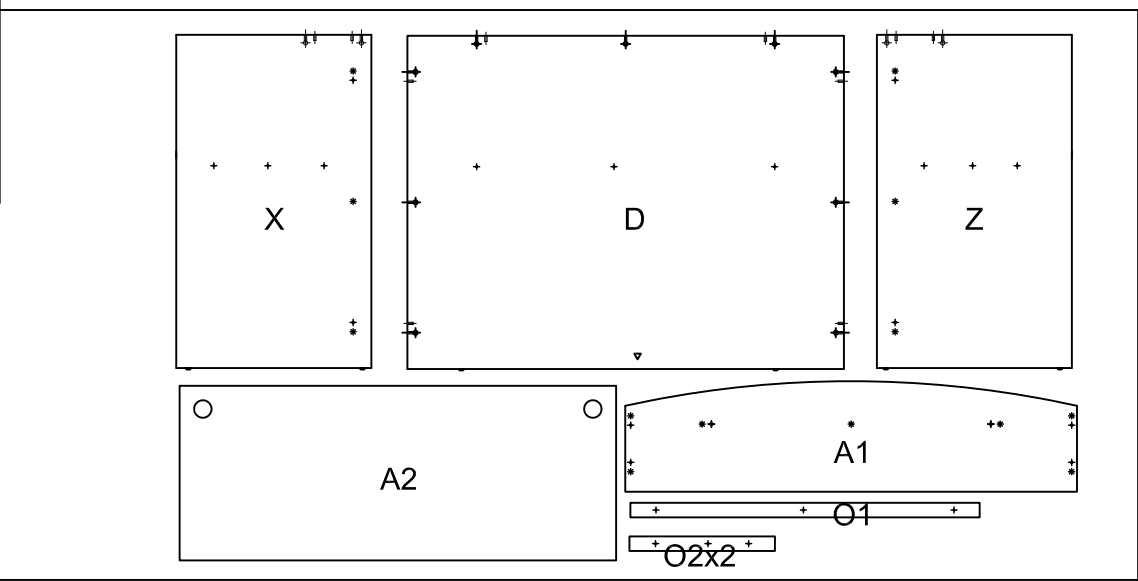
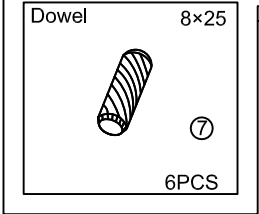
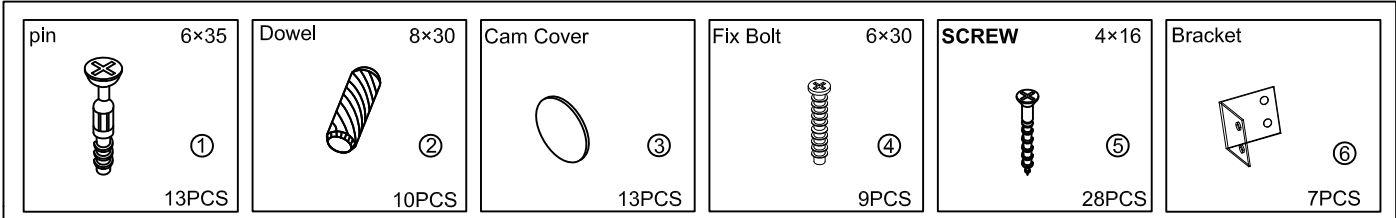




Office FURNITURE
Brisbane

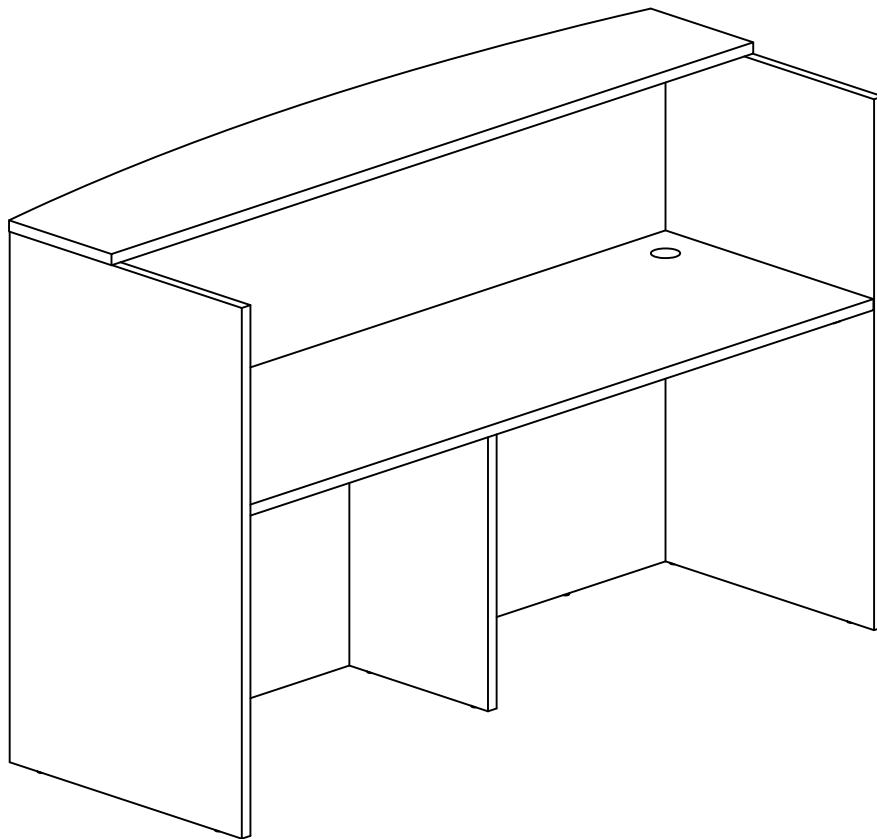
ASSEMBLY INSTRUCTIONS
Full Front Reception Desk 2
R2O-RD212

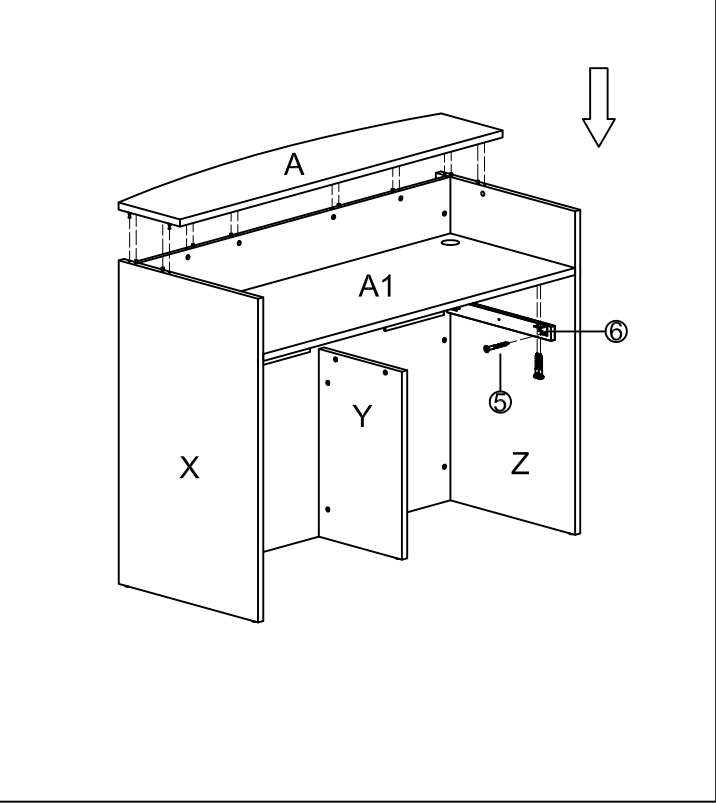
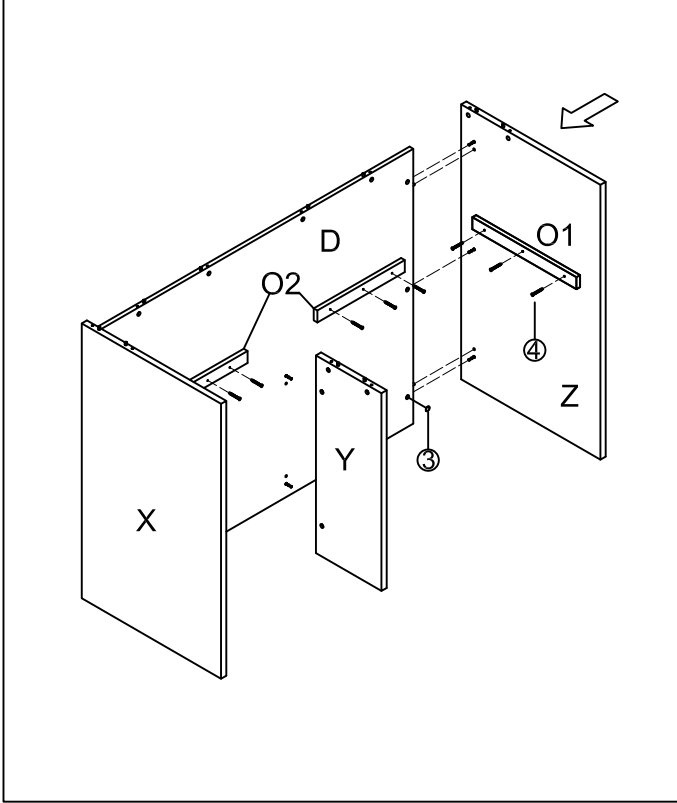
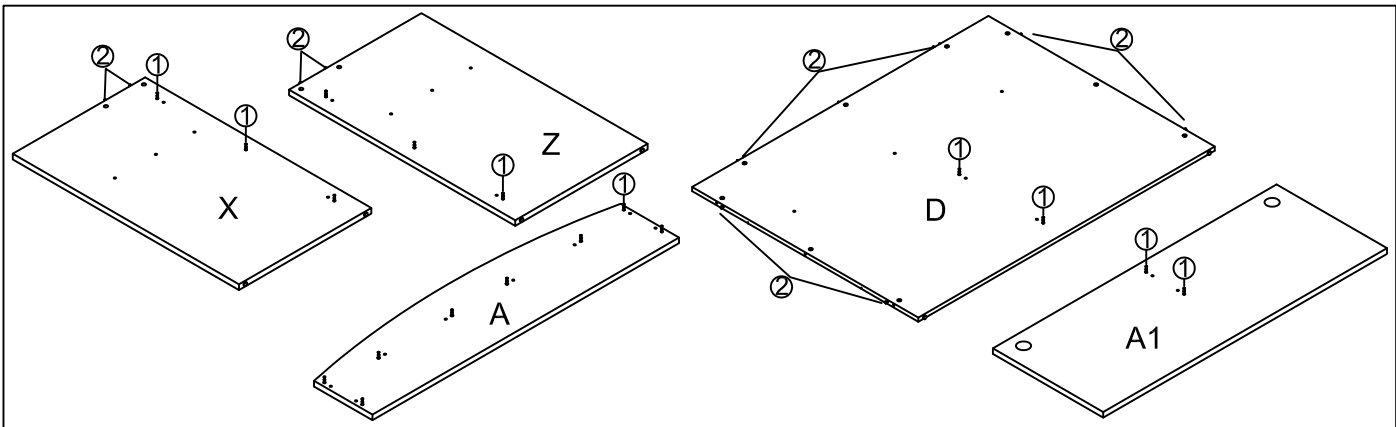
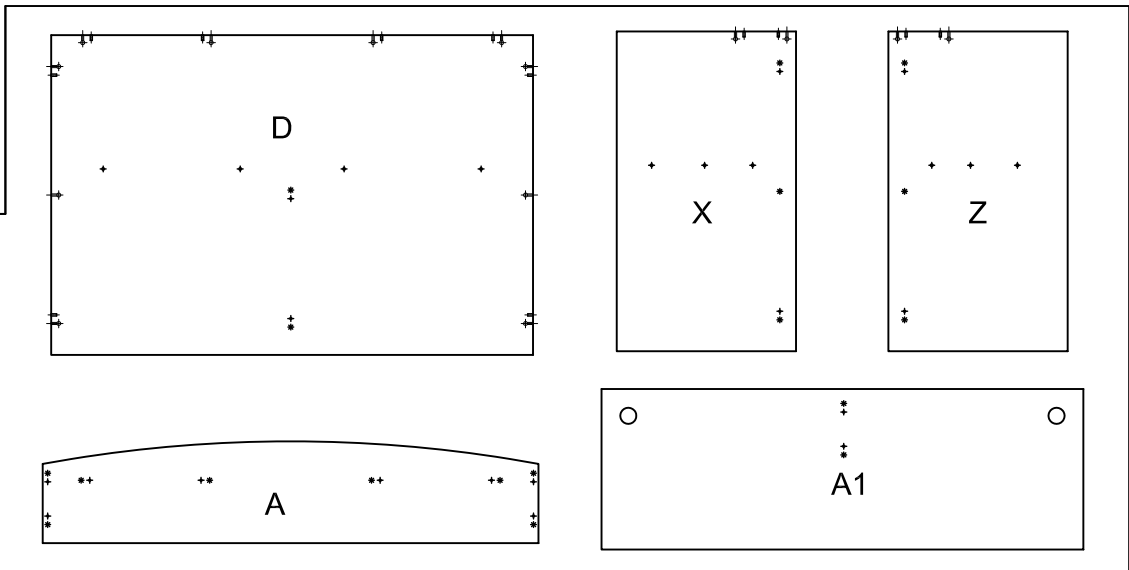
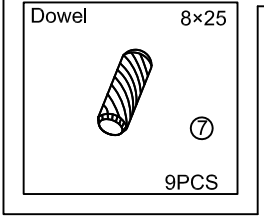
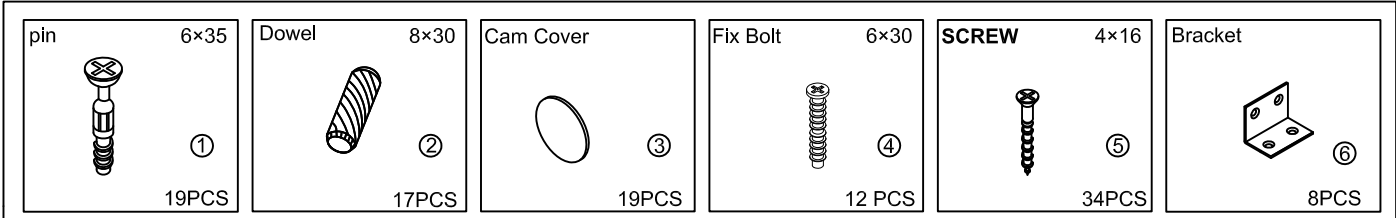




Office FURNITURE
Brisbane

ASSEMBLY INSTRUCTIONS
Full Front Reception Desk 2
R2O-RD218



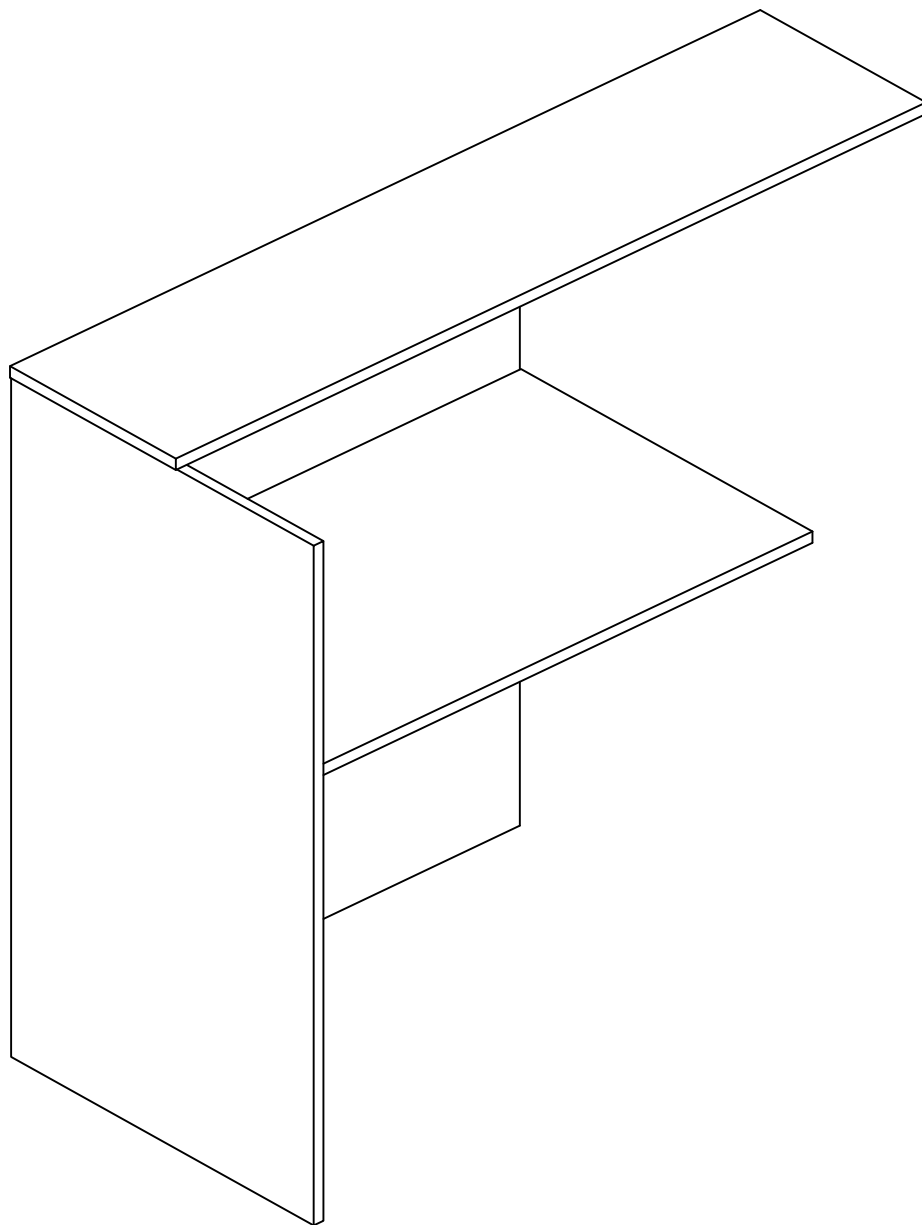


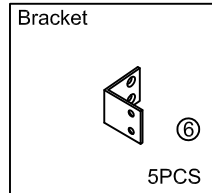
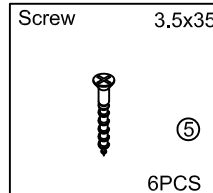
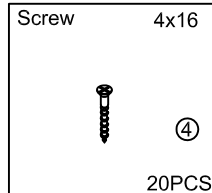
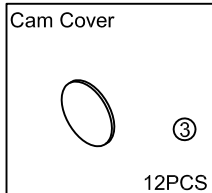
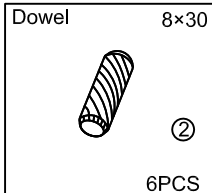
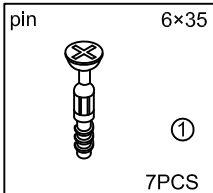
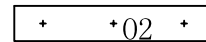
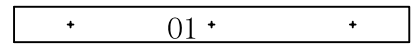
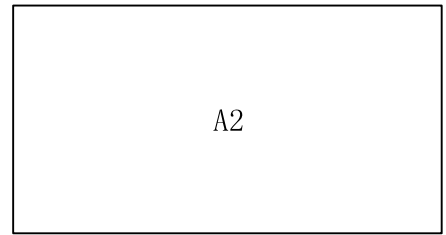
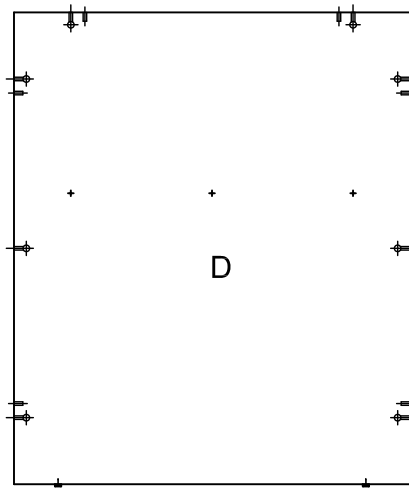
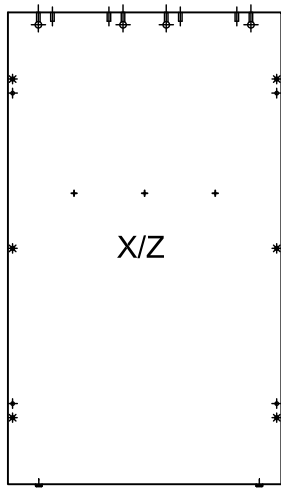


ASSEMBLY INSTRUCTIONS

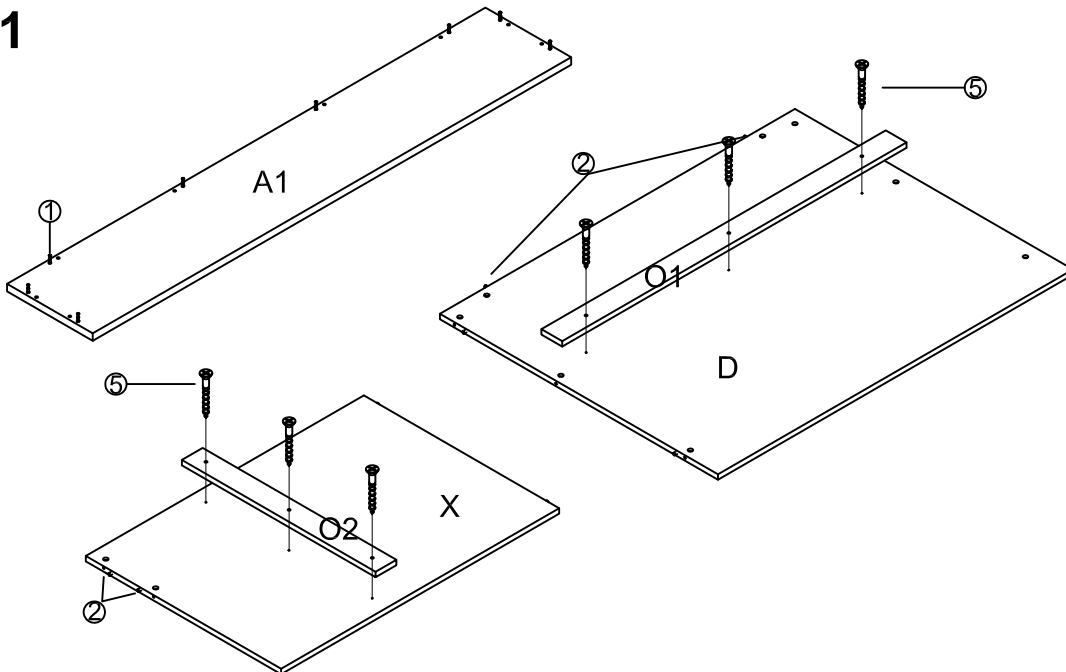
Return for Reception

R20-RD2RE





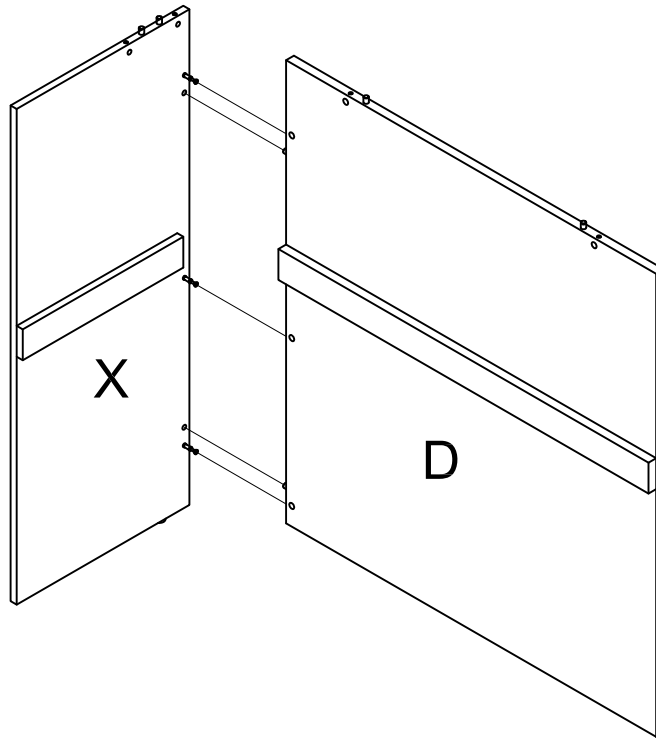
1



Preparation for Top panel A Side panel X/Z, back panels D, Batten O1, O2.

1. Fix cams on panel Y into cam bolts ① on panel D and tighten in a clockwise direction as illustrated above.
2. Joining panel D and side panel O1 with ⑤ and tighten in a clockwise direction as illustrated above.
3. Joining panel X, Z and side panel O2 with ⑤ and tighten in a clockwise direction as illustrated above.

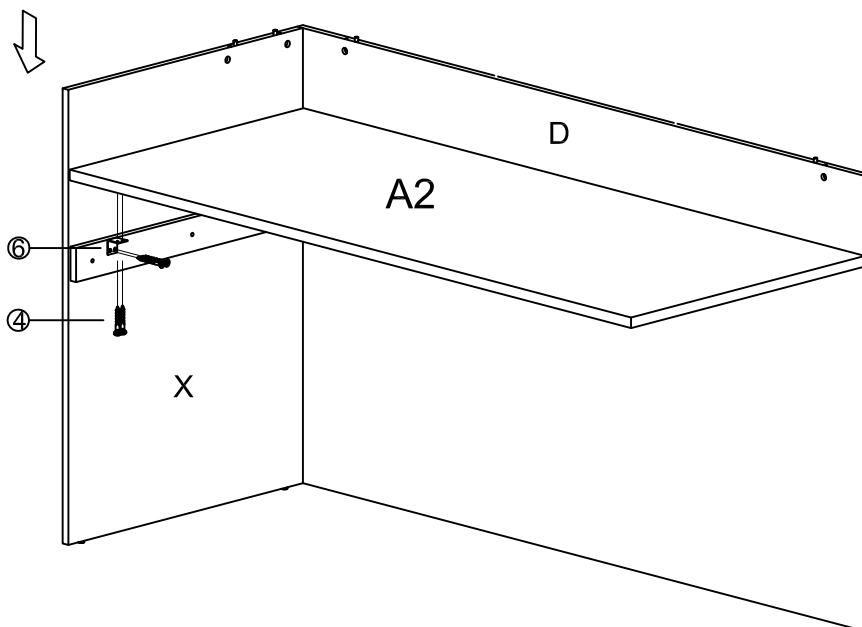
2



panel Z/X back panels D assembly.

1. Insert cam bolts ① on panel X and Z into cams on panels D and tighten in a clockwise direction as illustrated above.

3

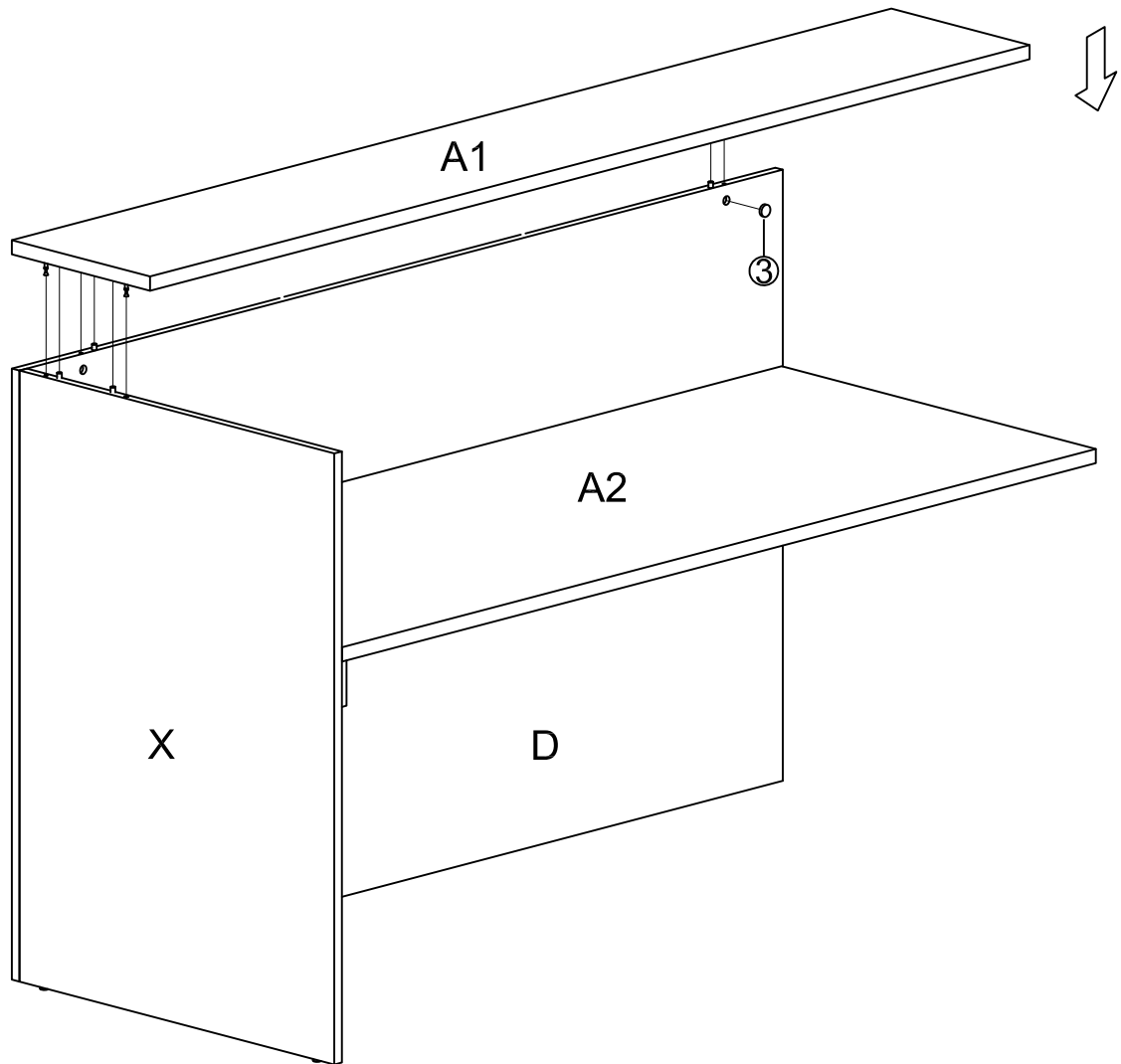


Desk top panel A assembly.

1. Joining panel D and side panel X/Z with ④ ⑥ and tighten in a clockwise direction as illustrated above.

2. Joining panel A and side panel O1, O2 with ④ and tighten in a clockwise direction as illustrated above.

2



Desk top panel A1 assembly.

1. Insert cam bolts ① on panel A1 into cams on panels Z/X and D and tighten in a clockwise direction as illustrated above.