

# ASSEMBLY INSTRUCTIONS:

## Eternity Leg Back to Back Workstation

### TIME REQUIRED:

40-45 minutes

### TOOLS REQUIRED:

Screwdriver, Electric Drill, Pencil, Measuring tape/Ruler

\*Tools are not included.

### SKILL REQUIRED:

Easy  Hard

The Assembly Skill Rating is a 5-point system that shows the degree of effort needed in assembling a specific product. With 1 being easy for the average person and 5 requiring an expert. For most products, two persons are recommended.

Please note, as this is a commercial product, some intermediate skills are required.

\*No pre-drill holes or markings are provided on tops.

#### NOTE

- As this is a commercial product, some intermediate skills may be required.
  - No pre-drill holes or markings are provided on our table or desk tops.
  - Please check you have all hardware before assembling.
- If you are missing any hardware, please contact your Rapidline reseller. Please ensure you have the name of the item, required hardware part and quantity.
  - Please retain your receipt as proof of purchase to validate your warranty.
- Assemble on a clean, flat, smooth surface such as a rug or carpet to avoid parts from being scratched.
  - Remove all wrapping materials, including staples and packing straps before you start to assemble
    - Keep all hardware parts out of reach of children.

#### CAUTION

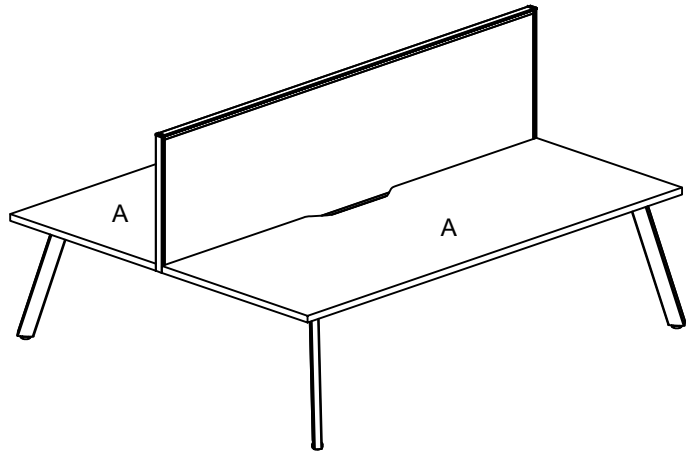
- Heavy product. Do not attempt to lift or move without help
- Do not tighten screws and bolts until completely assembled.
- Do not use this product unless all bolts and screws are firmly secured and tightened.

#### WARNING

- If parts are missing, broken, damaged or worn stop using the product until all repairs are made.
  - Failure to follow these warnings could result in serious injury.

# Assembly Instructions

MODEL NO: Eternity Back to Back - 2 Person



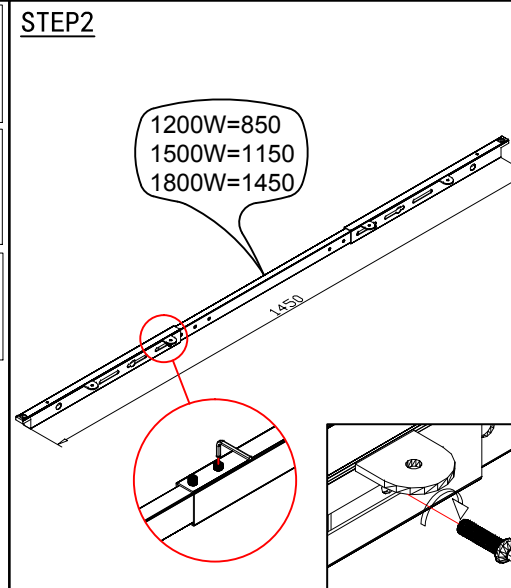
<b>Screw</b> 8x16 1 32PCS	<b>M5</b> 5 1PCS
<b>Screw</b> 6x16 2 4PCS	<b>M4</b> 6 1PCS
<b>Screw</b> 5x20 3 3+4PCS	<b>M8</b> 7 1PCS
<b>L</b> 4 2PCS	

\*Piece L only supplied with "with screen" option

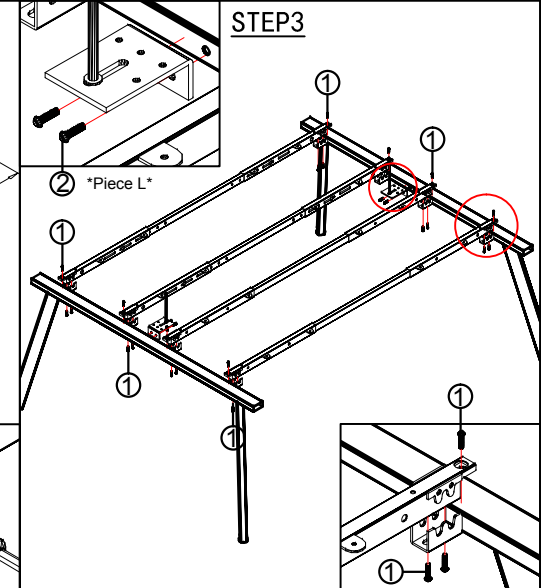
# Assembly Instructions

## STEP2

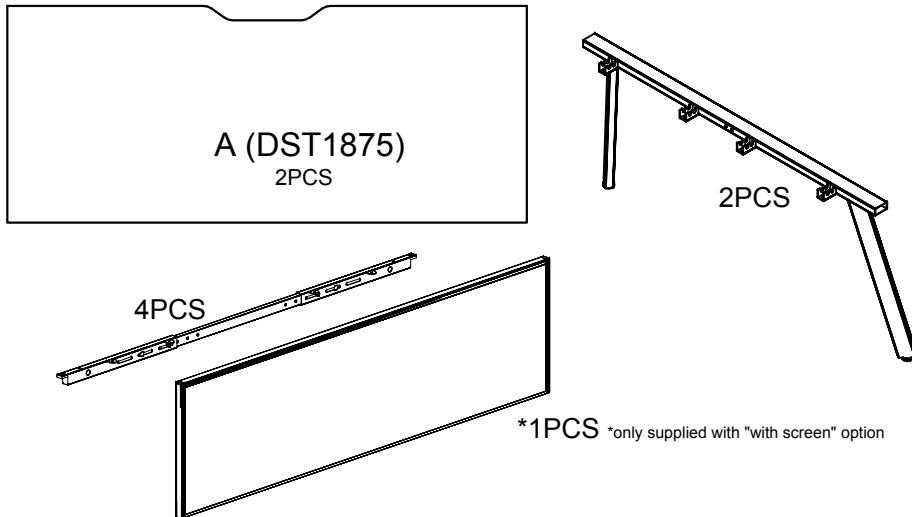
1200W=850  
1500W=1150  
1800W=1450



## STEP3

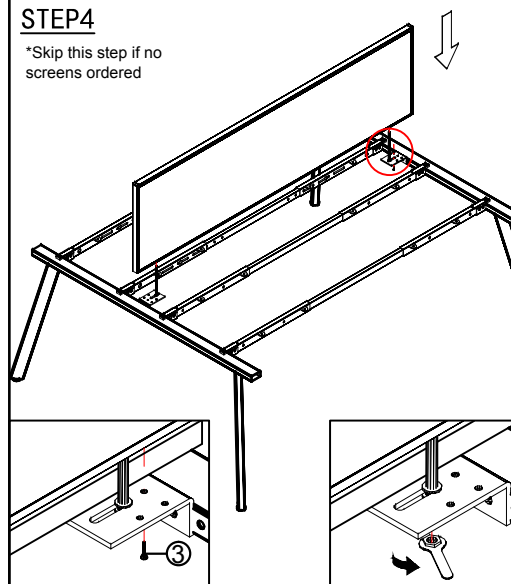


## STEP1

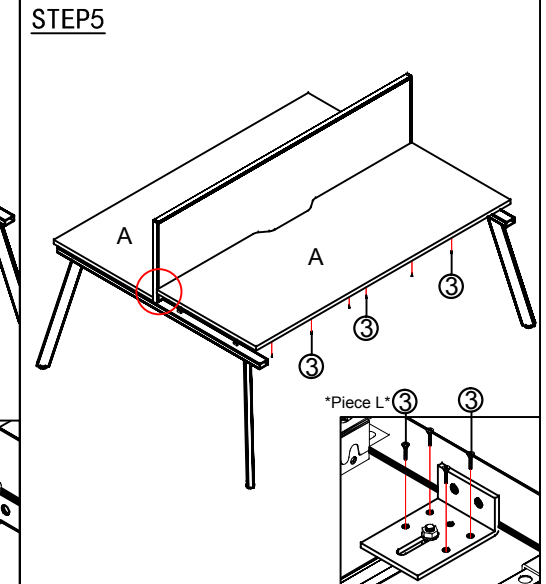


## STEP4

\*Skip this step if no screens ordered

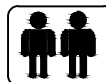


## STEP5



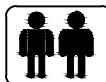
### IMPORTANT NOTE:

- Place all laminated parts on a clean and smooth surface such as a rug or carpet to avoid the parts from being scratched.
- Check to be sure that you have all parts and hardware.
- Remove all wrapping materials, including staples & packing straps before you start to assemble.
- Don't tighten all screws/bolts until all completely assembled.
- Keep all hardware parts out of reach of children



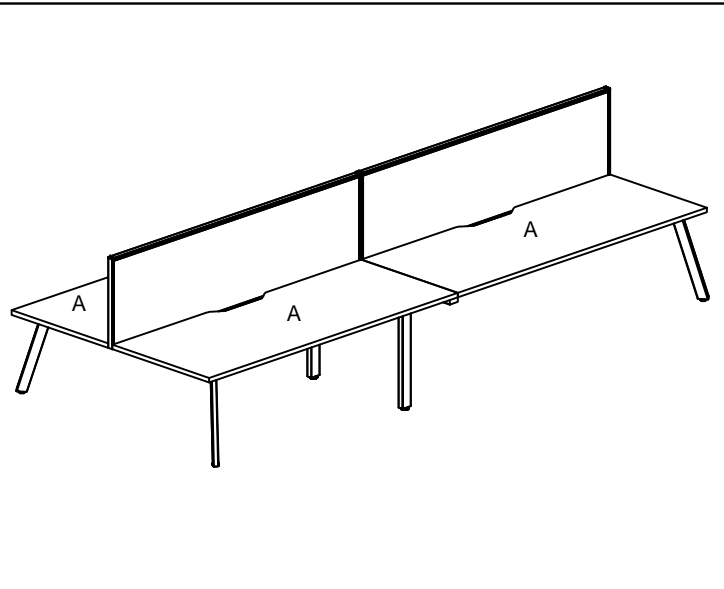
### IMPORTANT NOTE:

- Place all laminated parts on a clean and smooth surface such as a rug or carpet to avoid the parts from being scratched.
- Check to be sure that you have all parts and hardware.
- Remove all wrapping materials, including staples & packing straps before you start to assemble.
- Don't tighten all screws/bolts until all completely assembled.
- Keep all hardware parts out of reach of children



# Assembly Instructions

MODEL NO: Eternity Back to Back - 4 Person

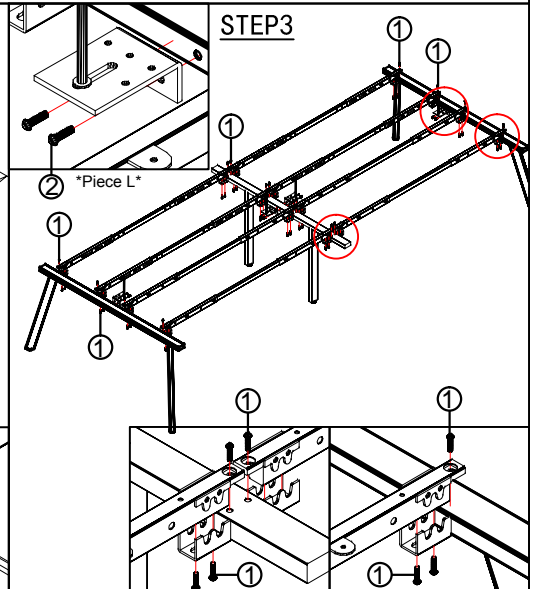
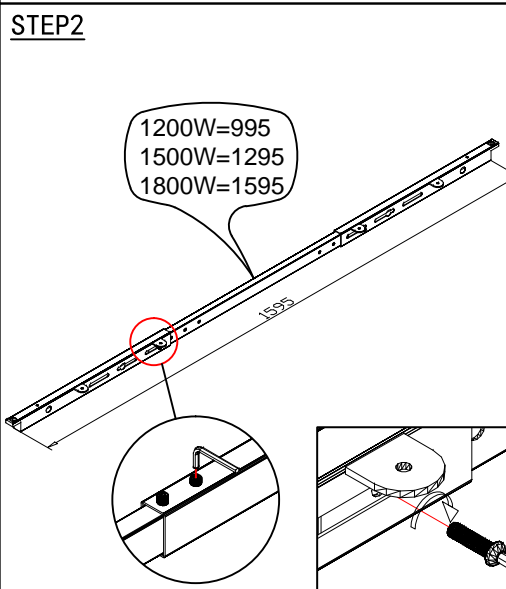


<b>Screw</b> 8x16 1 64PCS	5 1PCS
<b>Screw</b> 6x16 2 8PCS	6 1PCS
<b>Screw</b> 5x20 3 68+4PCS	7 1PCS
<b>L</b> 4 4PCS	<b>M5</b>
	<b>M4</b>
	<b>M8</b>

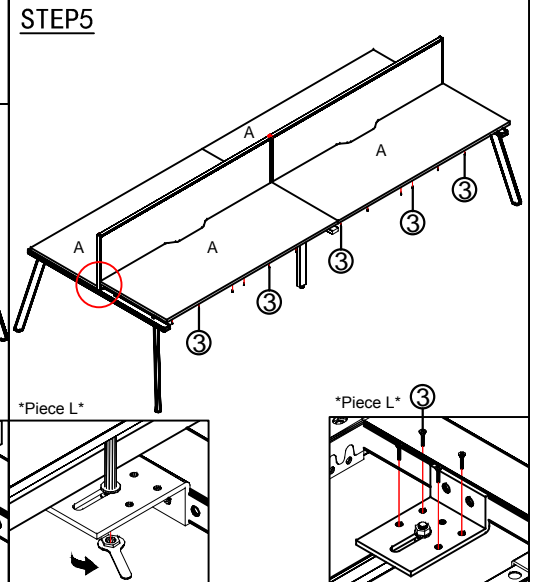
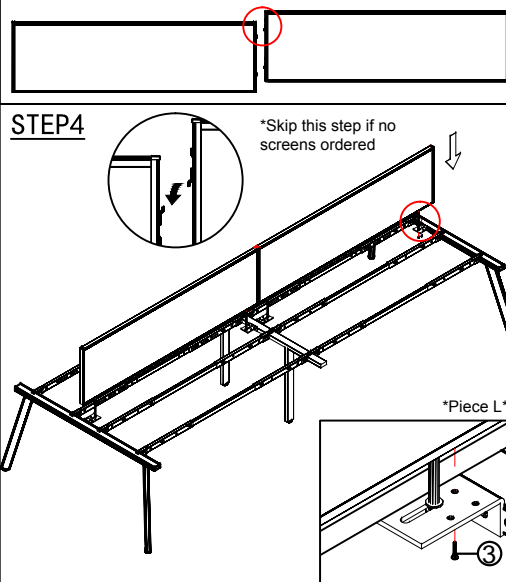
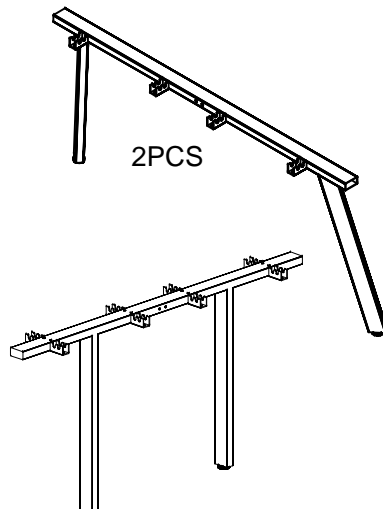
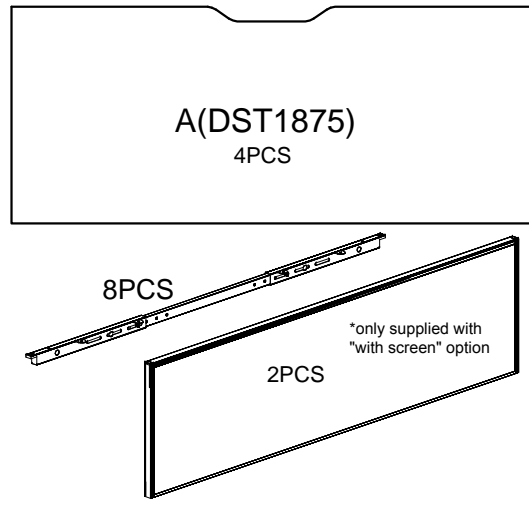
\*Piece L only supplied with "with screen" option

# Assembly Instructions

MODEL NO:

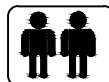


**STEP1**



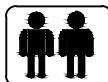
**IMPORTANT NOTE:**

- Place all laminated parts on a clean and smooth surface such as a rug or carpet to avoid the parts from being scratched.
- Check to be sure that you have all parts and hardware.
- Remove all wrapping materials, including staples & packing straps before you start to assemble.
- Don't tighten all screws/bolts until all completely assembled.
- Keep all hardware parts out of reach of children



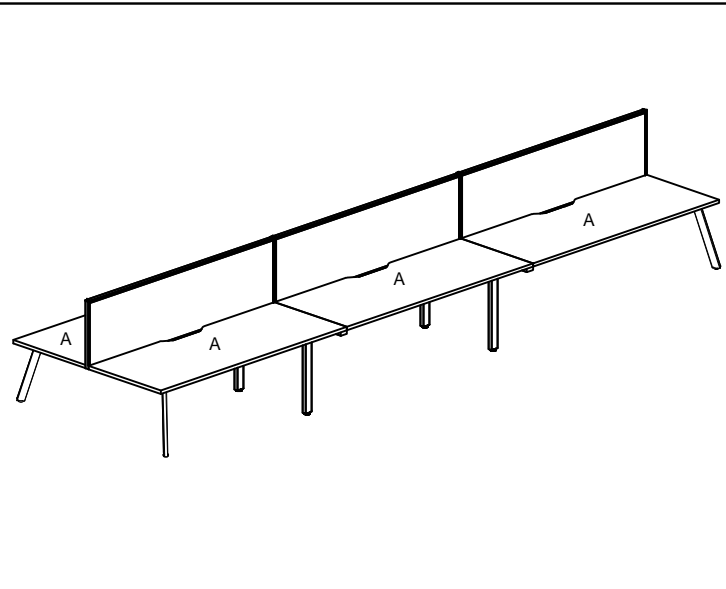
**IMPORTANT NOTE:**

- Place all laminated parts on a clean and smooth surface such as a rug or carpet to avoid the parts from being scratched.
- Check to be sure that you have all parts and hardware.
- Remove all wrapping materials, including staples & packing straps before you start to assemble.
- Don't tighten all screws/bolts until all completely assembled.
- Keep all hardware parts out of reach of children



# Assembly Instructions

MODEL NO: Eternity Back to Back - 6 Person



Screw 8x16 1 96PCS	5 1PCS
Screw 6x16 2 12PCS	6 1PCS
Screw 5x20 3 102+4PCS	7 1PCS
L 4 6PCS	M8 1PCS

\*Piece L only supplied with "with screen" option  
Skip all Piece L steps

# Assembly Instructions

MODEL NO:

**STEP2**

1200W=1140  
1500W=1440  
1800W=1740

1200W=995  
1500W=1295  
1800W=1595

**STEP3**

**STEP1**

A(DST1875)  
6PCS

N=8PCS

M=4PCS

3PCS  
\*only supplied with "with screen" option

2PCS

2PCS

**STEP4**

\*Skip this step if no screens ordered

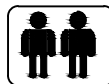
\*Piece L\*

**STEP5**

\*Piece L\*

**IMPORTANT NOTE:**

- Place all laminated parts on a clean and smooth surface such as a rug or carpet to avoid the parts from being scratched.
- Check to be sure that you have all parts and hardware.
- Remove all wrapping materials, including staples & packing straps before you start to assemble.
- Don't tighten all screws/bolts until all completely assembled.
- Keep all hardware parts out of reach of children



**IMPORTANT NOTE:**

- Place all laminated parts on a clean and smooth surface such as a rug or carpet to avoid the parts from being scratched.
- Check to be sure that you have all parts and hardware.
- Remove all wrapping materials, including staples & packing straps before you start to assemble.
- Don't tighten all screws/bolts until all completely assembled.
- Keep all hardware parts out of reach of children

