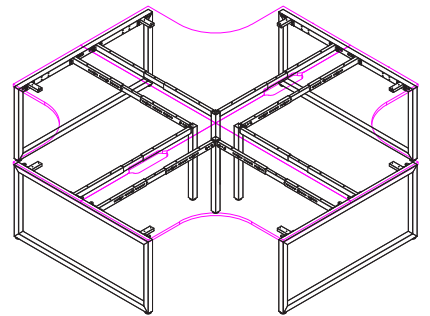


# LOOP

## 4 Person Corner Workstation

LP-WSX157-4 / LP-WSX187-4



### FEATURES

- 25mm tops with cable scallops
- 50 x 50 Powdercoated Loop steel Frames
- 2x Adjustable Beam per person
- Height adjustable feet 30mm
- 10 Year Warranty

### FRAME COLOURS

- Black
- White

### TOP COLOURS

- White



## LOOP 4 Person Corner Workstation

---

LP-WSX157-4 1500 x 1500 x 750

12 Cartons: 240KG

4x R2O-WST15157 - Workstation Top - 1565L x 1565W x 45H / 32KG / 0.11m<sup>3</sup>

2x ST-PR-15E - Double LOOP End Legs - 1510L x 120W x 720H 24kg - 0.013m<sup>3</sup> (2 legs per ctn)

4x ST-AB1218 - Adjustable Beam - 870L x 145W x 125H 9kg - 0.01m<sup>3</sup> (2 Beams per ctn)

2x ST-WSL - Middle Leg - 710L x 180W x 170H 14kg - 0.022m<sup>3</sup> (2 legs per ctn)

---

LP-WSX187-4 1800 x 1800 x 750

12 Cartons: 268KG

4x R2O-WST18187 - Workstation Top - 1850L x 1850W x 45H / 39KG / 0.1154m<sup>3</sup>

2x ST-PR-15E - Double LOOP End Legs - 1510L x 120W x 720H 24kg - 0.013m<sup>3</sup> (2 legs per ctn)

4x ST-AB1218 - Adjustable Beam - 870L x 145W x 125H 9kg - 0.01m<sup>3</sup> (2 Beams per ctn)

2x ST-WSL - Middle Leg - 710L x 180W x 170H 14kg - 0.022m<sup>3</sup> (2 legs per ctn)