
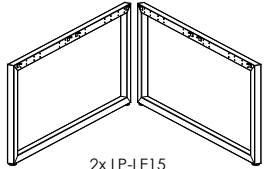
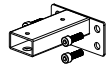
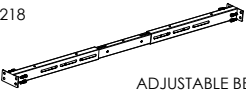

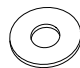
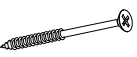

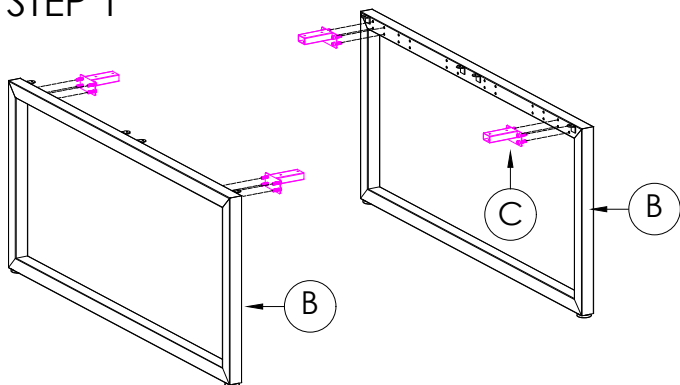
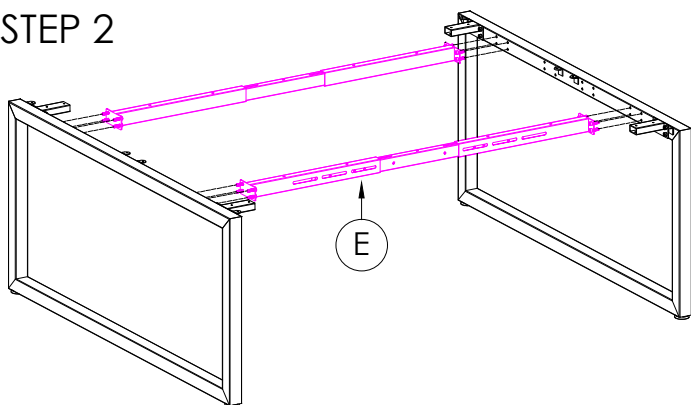


A	VARIOUS SIZES  DESKTOP	x2	B	 2x LP-LE15	x1	C	100mm x 50mm  BRACKET	x4
E	ST-AB1218  ADJUSTABLE BEAM	x2	D	M6 x 20mm  BUTTON HEAD ALLEN BOLT	x8	H	3mm SPACER 	x1
F	70mm  CHIPBOARD SCREW	x10	G	25mm  CHIPBOARD SCREW	x4			

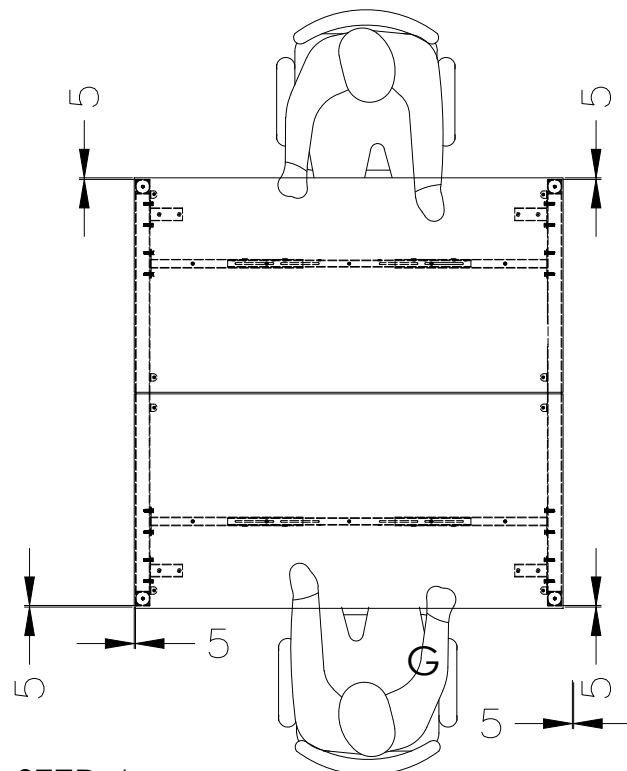
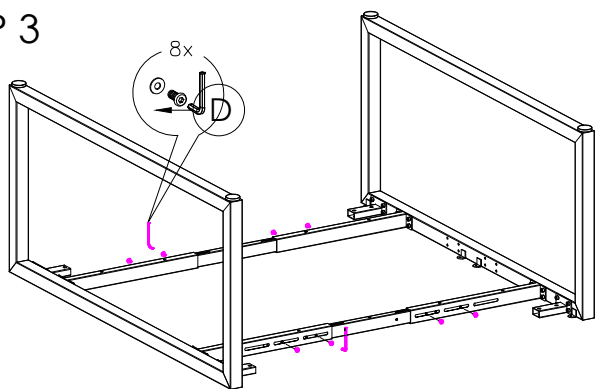
STEP 1



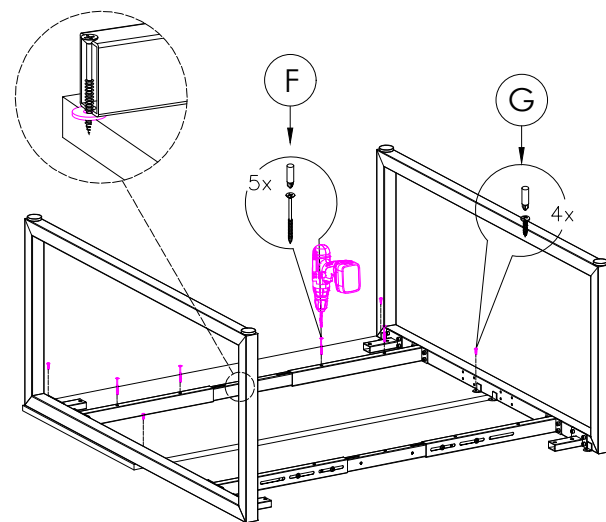
STEP 2



STEP 3



STEP 4

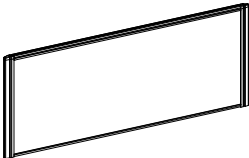





CAUTION:
HEAVY

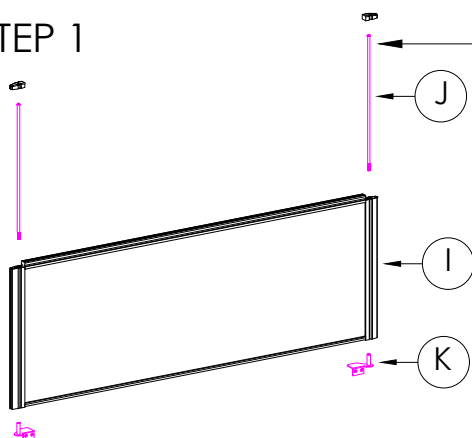


2 PERSON HEAVY
ASSEMBLY



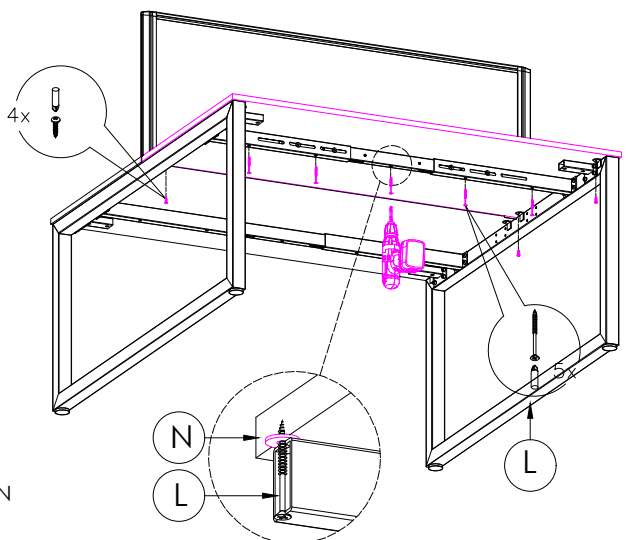
I	VARIOUS SIZES  S23 PARTITION x1	x1	J	 ROD PACKED INSIDE THE PARTITION x2	L	70mm  CHIPBOARD SCREW x5
	N	x1	K	S23-BR520SM NOTE: CAN USE S23-BR520TM OR S23-BR520CL BRACKETS BRACKETS x2	M	25mm  CHIPBOARD SCREW x4
	N	x1				

STEP 1

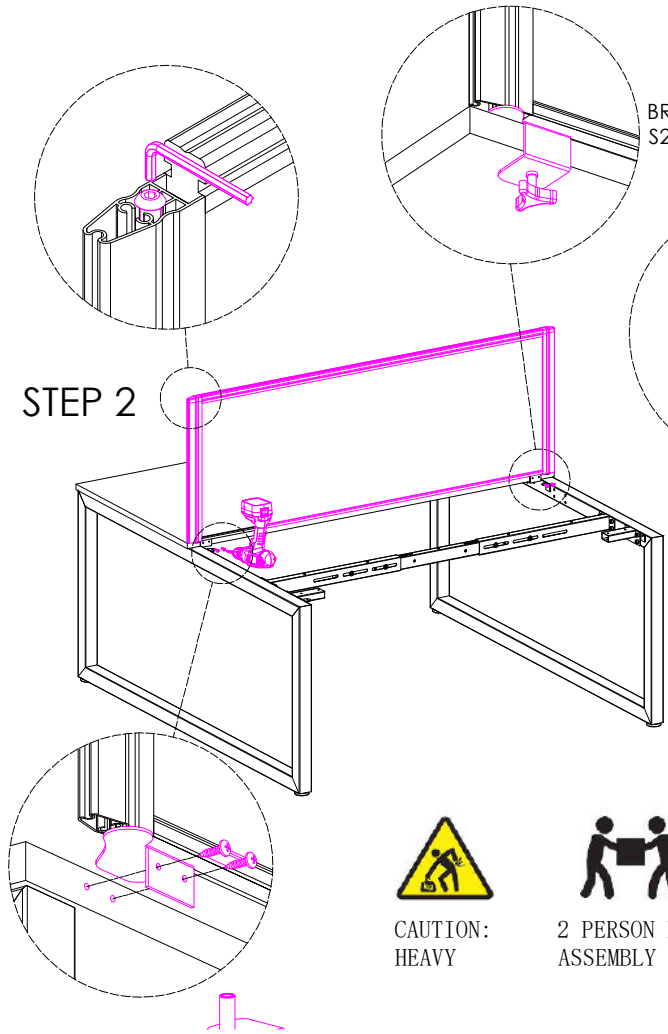


NOTE:
HAND TIGHTEN BOLT TO 70%

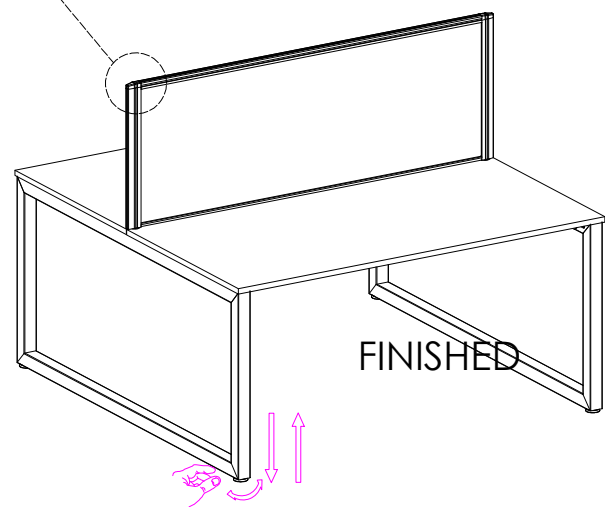
STEP 3



STEP 2



NOTE:
TIGHTEN ROD 100%
AFTER BRACKET FITTED
TO DESK.



CAUTION:
HEAVY



2 PERSON HEAVY
ASSEMBLY