
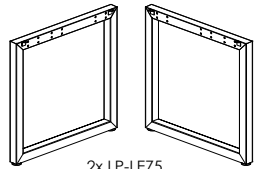
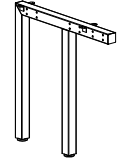
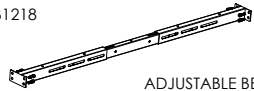

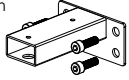
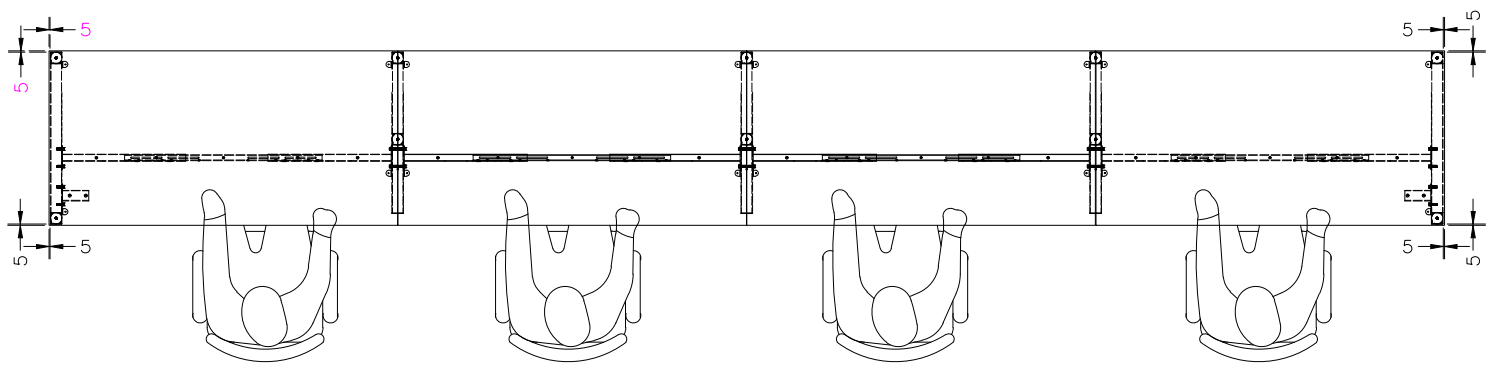
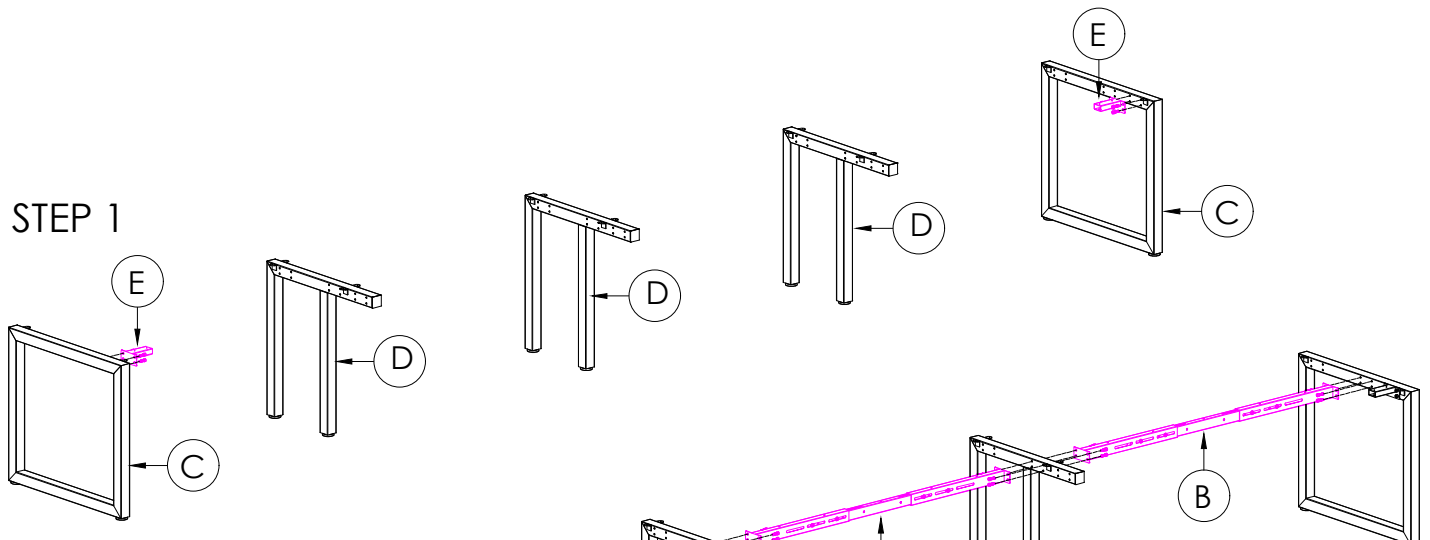


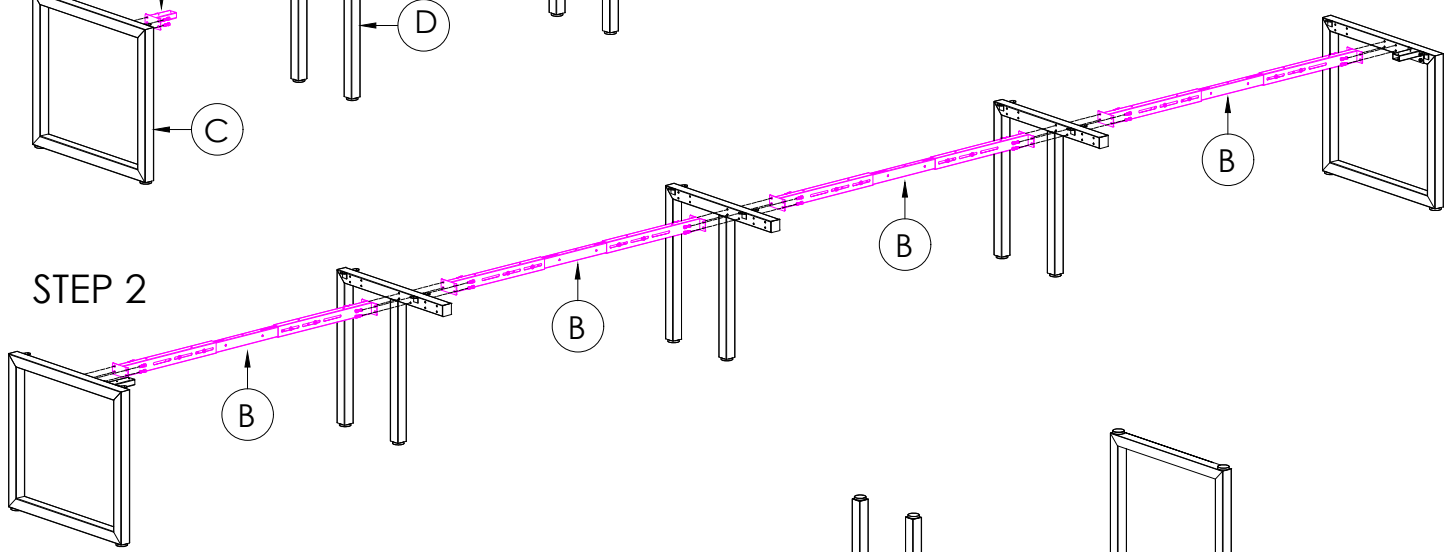
A	VARIOUS SIZES  DESKTOP	x4	C	 2x LP-LE75	x1	D	 ST-INSS (700mm)	x3
B	ST-AB1218  ADJUSTABLE BEAM	x4	F	M6 x 20mm  BUTTON HEAD ALLEN BOLT	x16			
E	100mm x 50mm  BRACKET	x2						



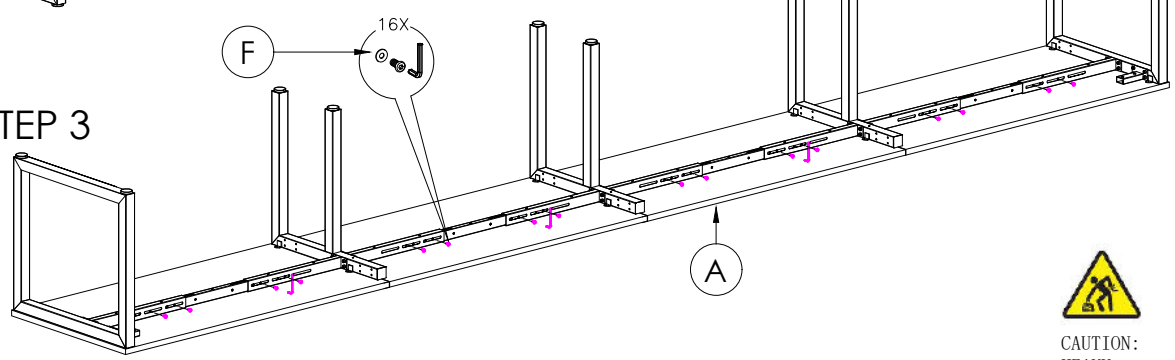
STEP 1



STEP 2




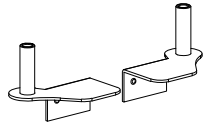




STEP 3



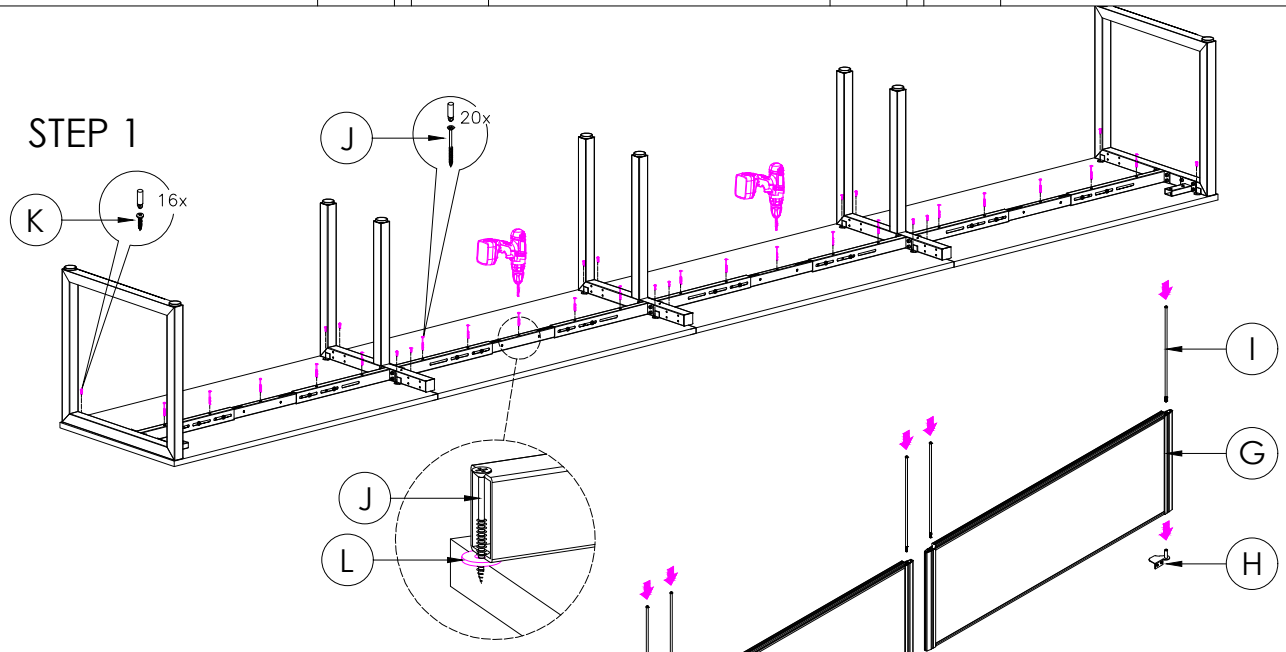
CAUTION:
HEAVY



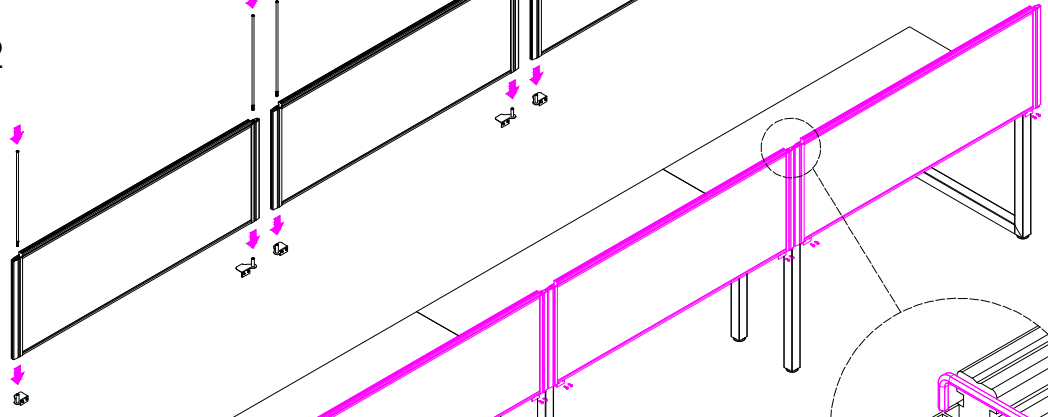
2 PERSON HEAVY
ASSEMBLY

G	VARIOUS SIZES  S23 PARTITION	x4	H	S23-BR520SM NOTE: CAN USE S23-BR520TM OR S23-BR520CL BRACKETS	 BRACKETS	x4 I  *PACKED INSIDE THE PARTITION	x8
J	70mm  CHIPBOARD SCREW	x20	K	20mm  CHIPBOARD SCREW	x16	L  3mm SPACER	x4

STEP 1

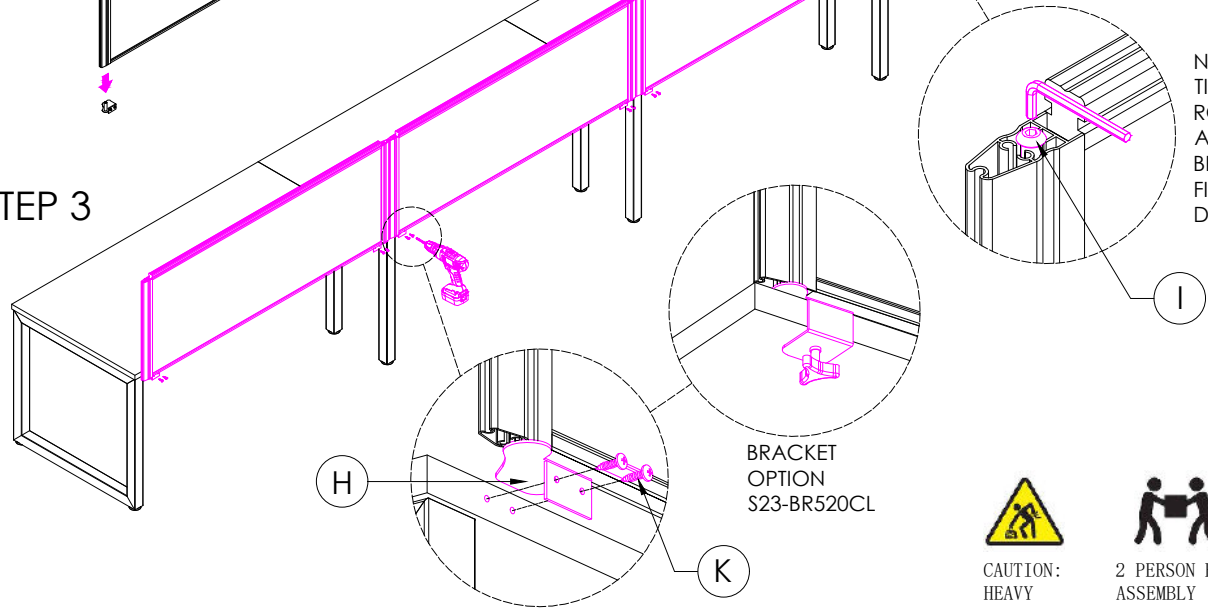


STEP 2



NOTE:
TIGHTEN
ROD 100%
AFTER
BRACKET
FITTED TO
DESK.

STEP 3





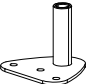
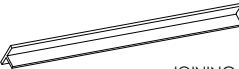

BRACKET
OPTION
S23-BR520CL



CAUTION:
HEAVY



2 PERSON HEAVY
ASSEMBLY

M	GLASS / FABRIC  SCREEN	x3	N	 *PACKED INSIDE THE PARTITION	x6	O	 BRACKETS	x6
			P	 JOINING STRIP	x3	Q	20mm  CHIPBOARD SCREW	x18

