
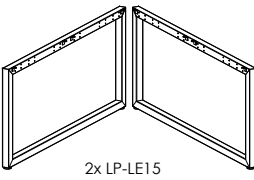
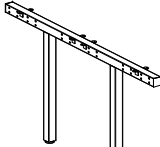
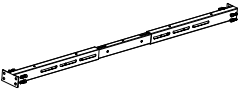
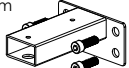
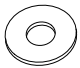



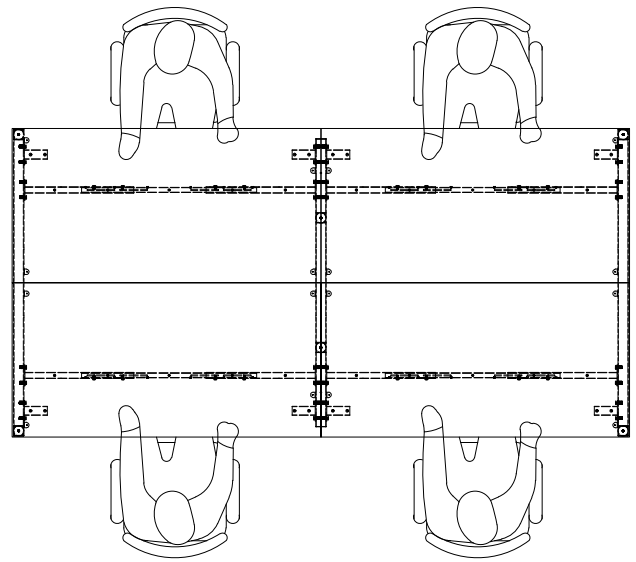
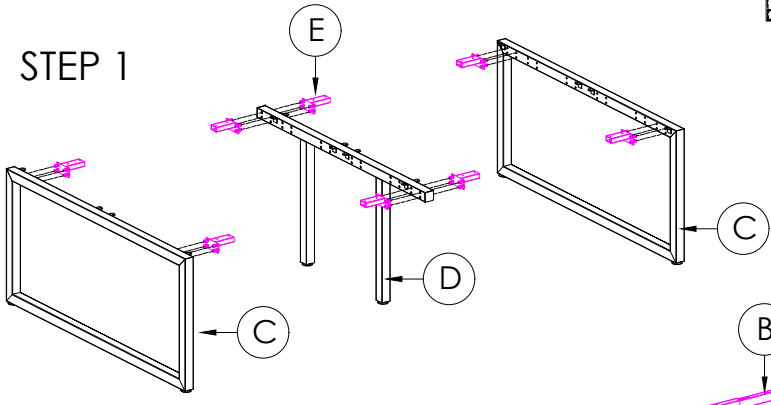


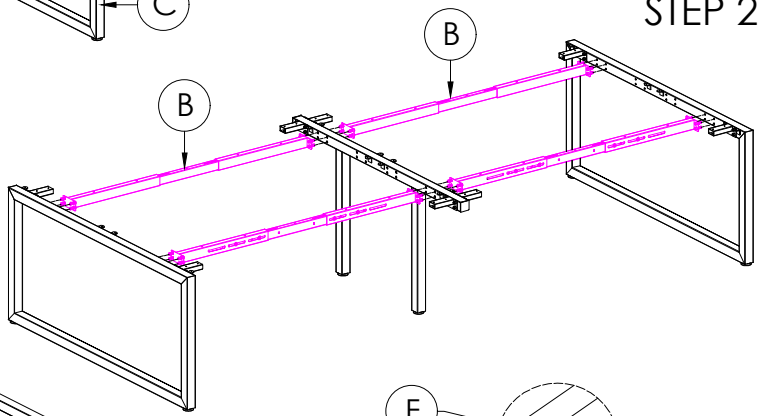
A		x4	C		x1	D		x1
B		x4		2x LP-LE15			ST-INDS (700mm)	
E	100mm x 50mm 	x8	F		x2	G	M6 x 20mm 	x16
				3mm SPACER			BUTTON HEAD ALLEN BOLT	
H	70mm 	x10						
I	20mm 	x8						



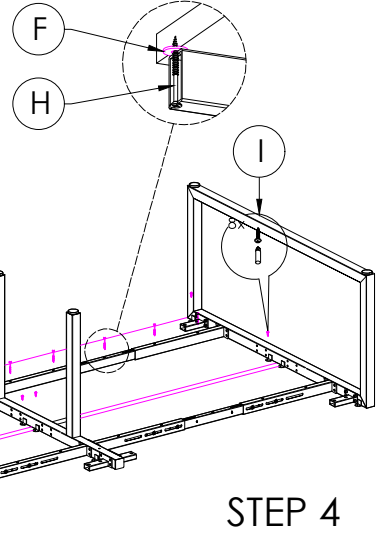
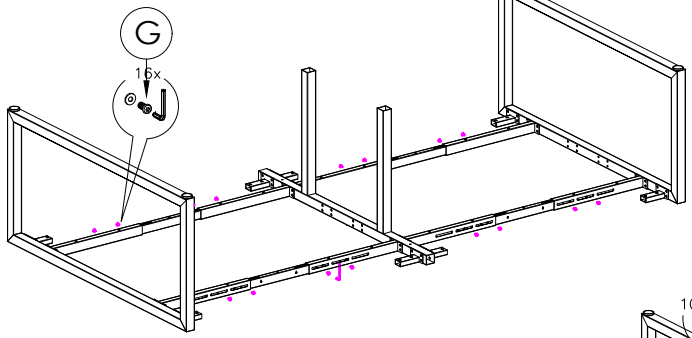
STEP 1




STEP 2



STEP 3




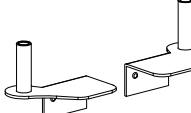

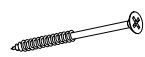


STEP 4

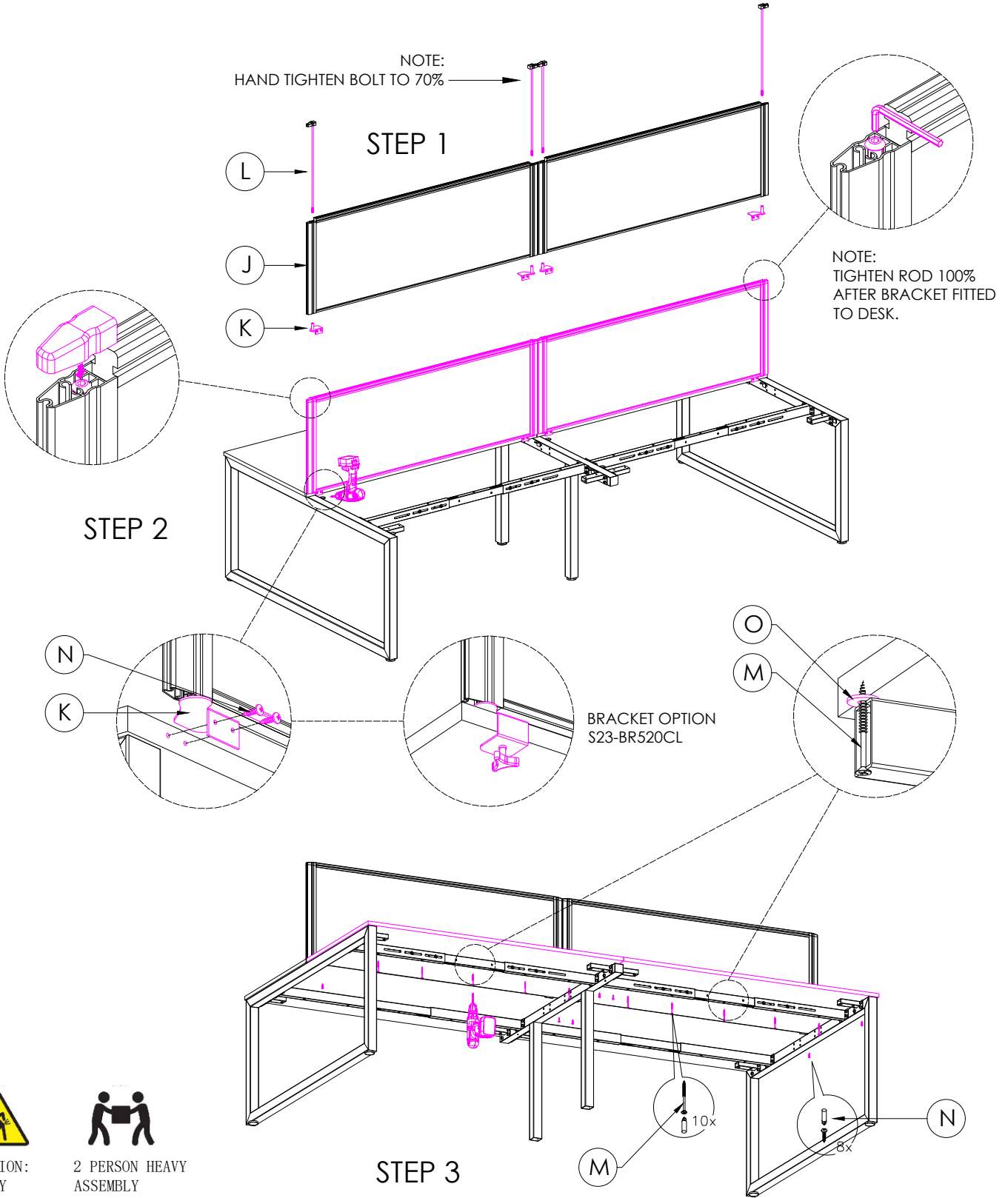
 CAUTION: HEAVY
 2 PERSON HEAVY ASSEMBLY

Office FURNITURE
Brisbane

PRODUCT CODE:
ST-DK157+LP-IND157-4
ASSEMBLY INSTRUCTION-PART 1
ASSEMBLED SIZE:
3000L x 1500D x 730H

REMARKS:
ST-INDS + LP-LE15 + ST-AB1218 REV2
Office FURNITURE
Brisbane

J	VARIOUS SIZES  S23 PARTITION	x2	K	S23-BR520SM NOTE: CAN USE S23-BR520TM OR S23-BR520CL BRACKETS	 BRACKETS	x2	L	 ROD PACKED INSIDE THE PARTITION	x6
M	70mm  CHIPBOARD SCREW	x10	N	20mm  CHIPBOARD SCREW	x8	O	 3mm SPACER	x2	



CAUTION:
HEAVY



2 PERSON HEAVY
ASSEMBLY

Office FURNITURE
Brisbane

PRODUCT CODE:
SCREEN PARTITION (S23)
ASSEMBLY INSTRUCTION-PART 2

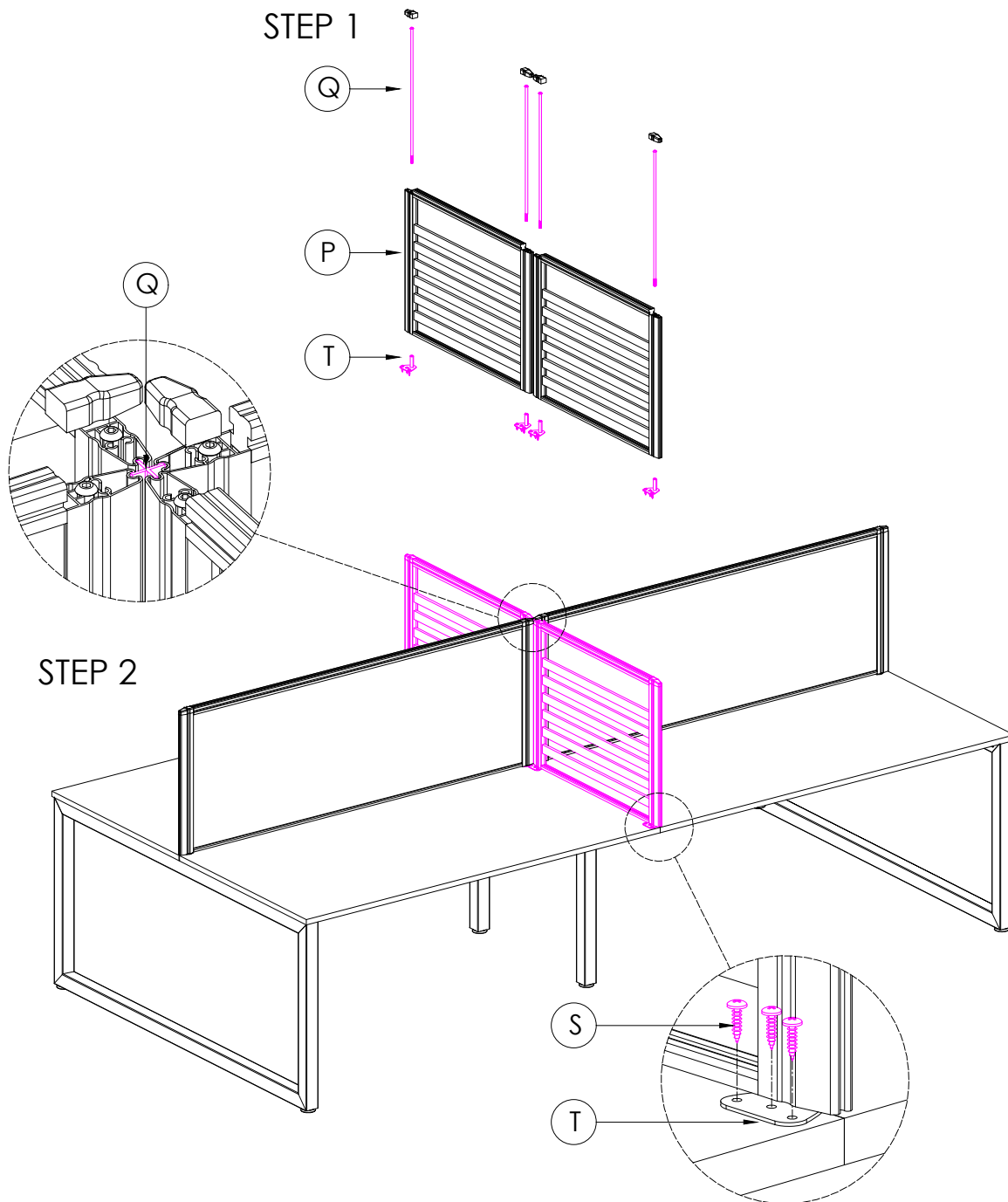
ASSEMBLED SIZE:
VARIOUS SIZES

REMARKS:
-

Office FURNITURE
Brisbane

REV2

P	GLASS / FABRIC	x2	Q	ROD PACKED INSIDE THE PARTITION	x6	R	JOINING STRIP	x1
	SCREEN							
S	20mm	x12	T	SL-BR520TM	x4			
	CHIPBOARD SCREW			BRACKET				



CAUTION:
HEAVY



2 PERSON HEAVY
ASSEMBLY

Office FURNITURE
Brisbane

PRODUCT CODE:
SCREEN PARTITION
ASSEMBLY INSTRUCTION-PART 3

ASSEMBLED SIZE:
VARIOUS SIZES

REMARKS:

-

REV2

Office FURNITURE
Brisbane