
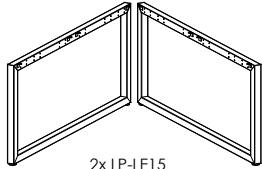
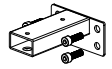
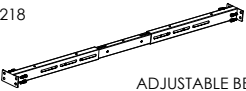

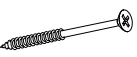

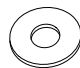
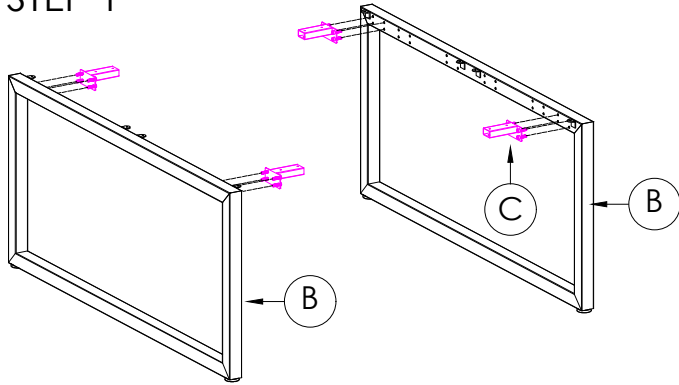
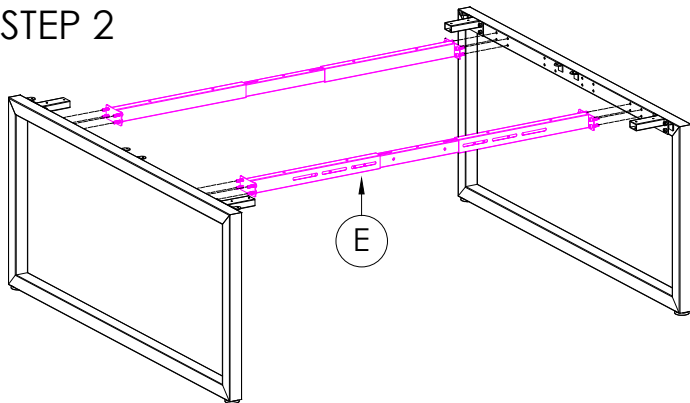


A	VARIOUS SIZES  DESKTOP	x2	B	 2x LP-LE15	x1	C	100mm x 50mm  BRACKET	x4
E	ST-AB1218  ADJUSTABLE BEAM	x2	D			D	M6 x 20mm  BUTTON HEAD ALLEN BOLT	x8
F	70mm  CHIPBOARD SCREW	x10	G	25mm  CHIPBOARD SCREW	x4	H	 3mm SPACER	x1

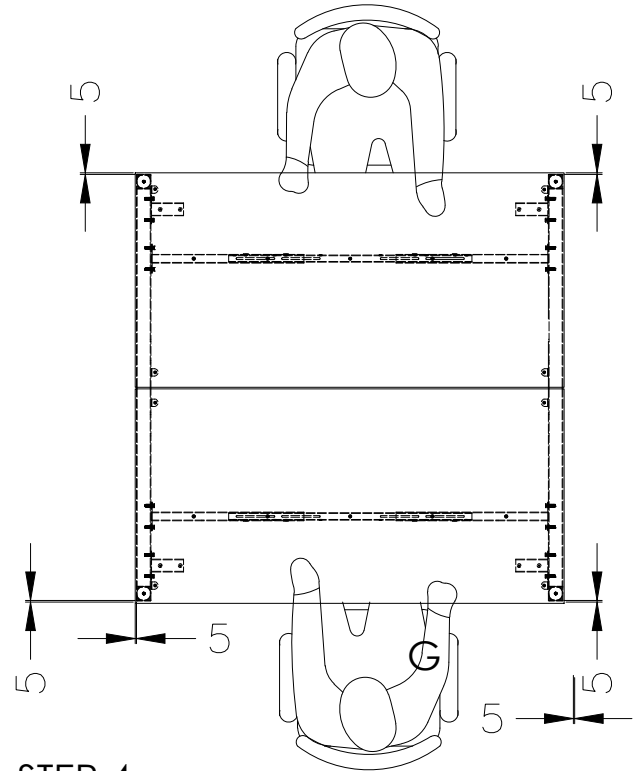
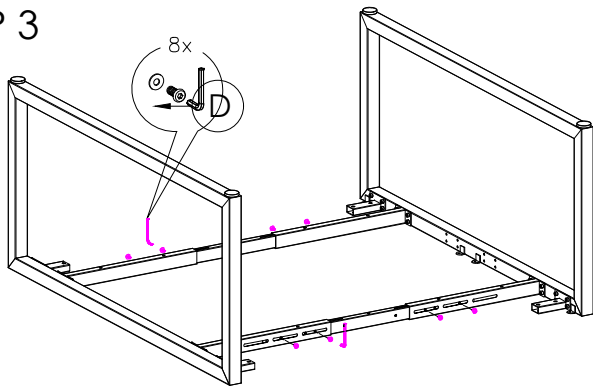
STEP 1



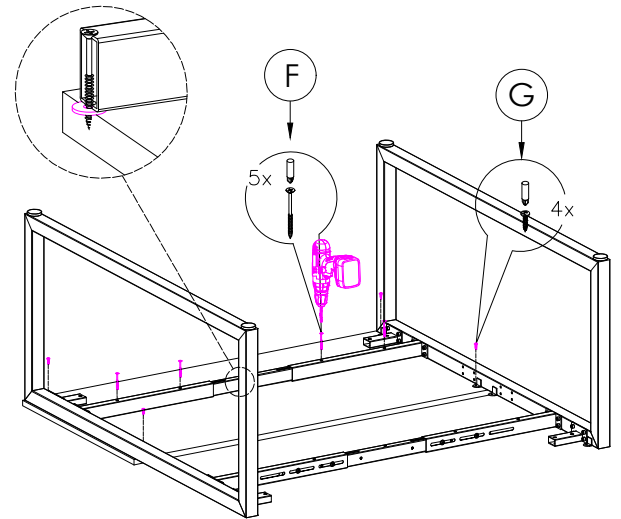
STEP 2



STEP 3



STEP 4



CAUTION:
HEAVY



2 PERSON HEAVY
ASSEMBLY

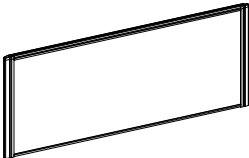


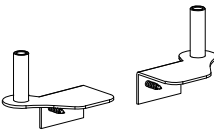

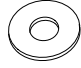
Office FURNITURE
Brisbane

PRODUCT CODE:
ST-DK157+LP-IND157-2
ASSEMBLY INSTRUCTIONS-PART 1

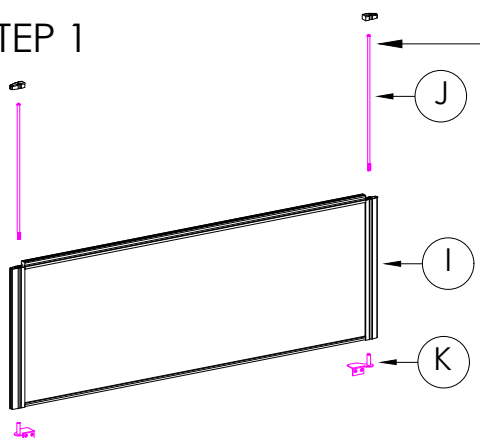
ASSEMBLED SIZE:
1500L x 1500D x 730H

REMARKS:
LP-LE15 + ST-AB1218 REV2

Office FURNITURE
Brisbane

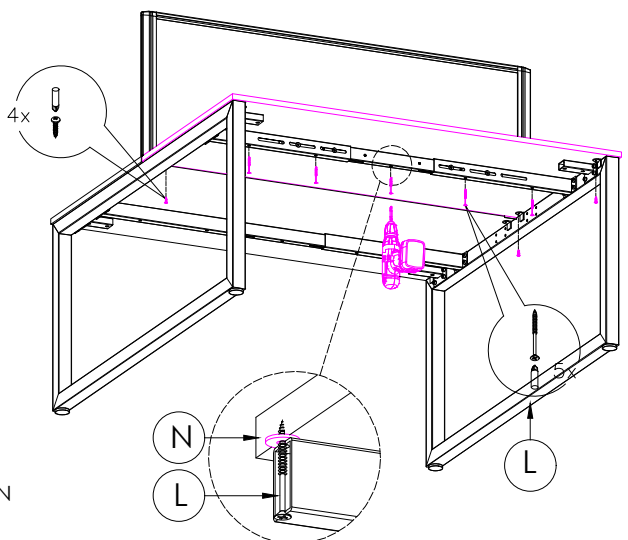
I	VARIOUS SIZES  S23 PARTITION x1	x1	J	 ROD PACKED INSIDE THE PARTITION x2	L	70mm  CHIPBOARD SCREW x5	x2
			K	S23-BR520SM NOTE: CAN USE S23-BR520TM OR S23-BR520CL BRACKETS  BRACKETS x2	M	25mm  CHIPBOARD SCREW x4	x5
N	 3mm SPACER x1	x1					

STEP 1

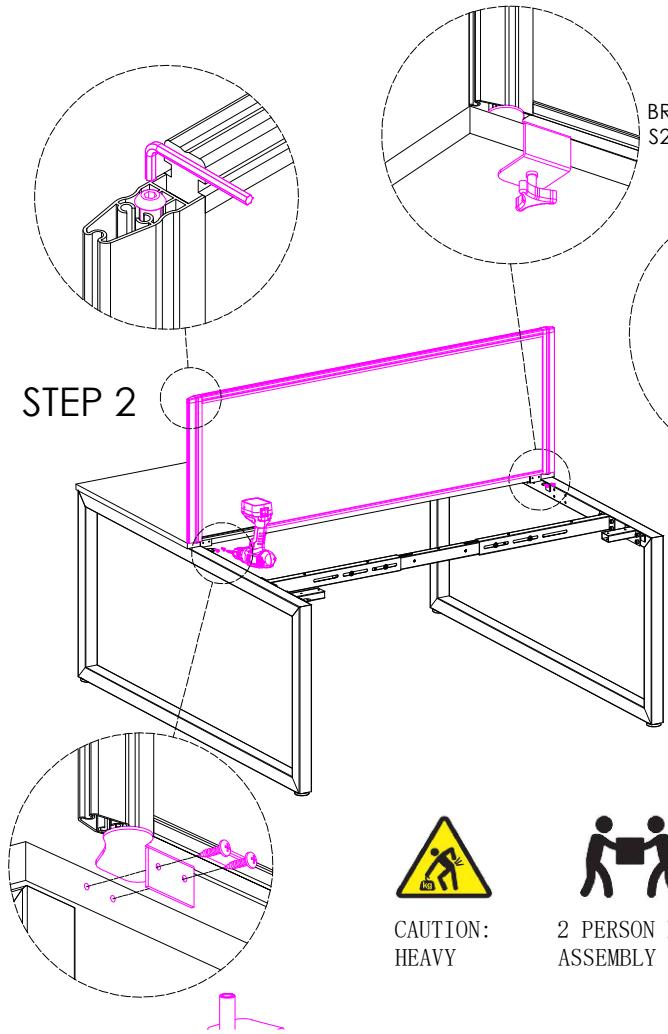


NOTE:
HAND TIGHTEN BOLT TO 70%

STEP 3



STEP 2



BRACKET OPTION
S23-BR520CL

NOTE:
TIGHTEN ROD 100%
AFTER BRACKET FITTED
TO DESK.

FINISHED



CAUTION:
HEAVY



2 PERSON HEAVY
ASSEMBLY

Office FURNITURE
Brisbane

PRODUCT CODE:
SCREEN PARTITION (S23)
ASSEMBLY INSTRUCTIONS-PART 2
ASSEMBLED SIZE:
VARIOUS SIZES

REMARKS:
-
Office FURNITURE
Brisbane
REV2