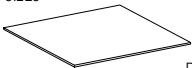

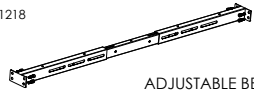
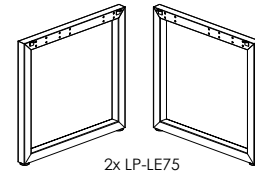

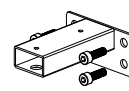
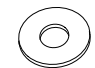

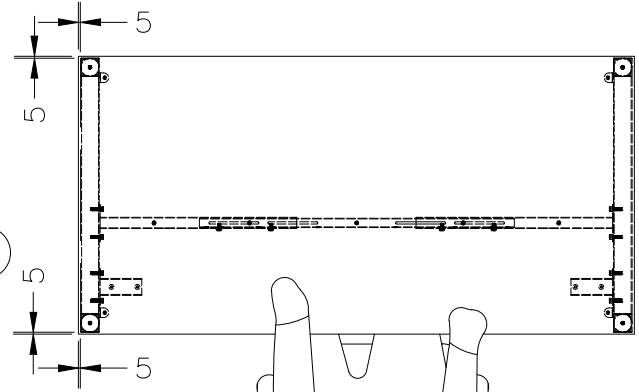
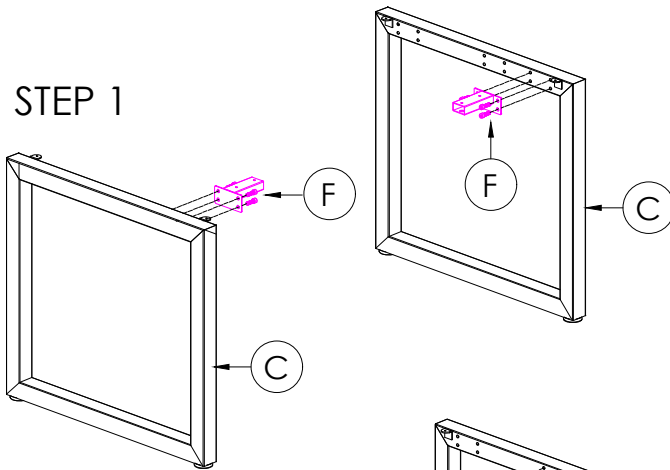
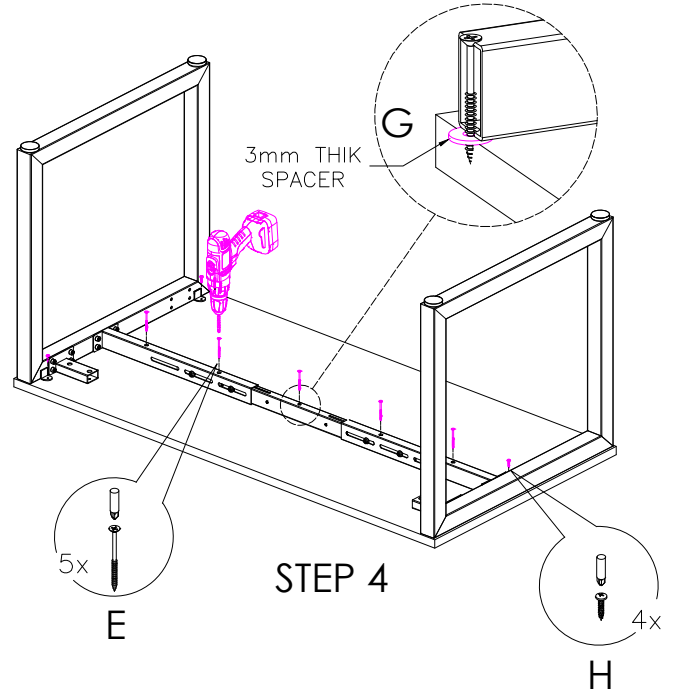
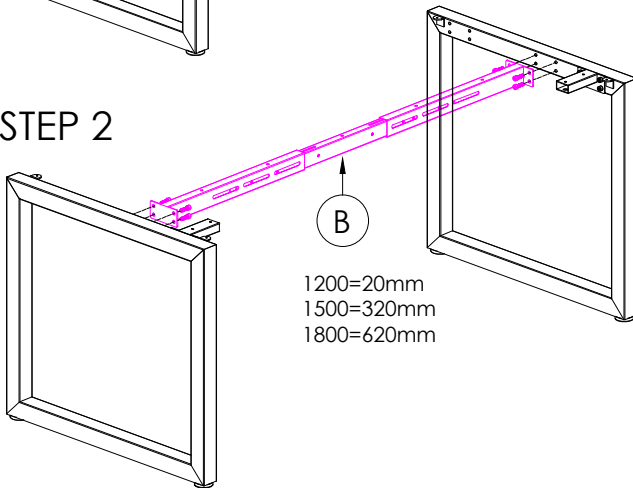


A	VARIOUS SIZES DESKTOP 	x1				D	M6 x 20mm BUTTON HEAD ALLEN BOLT 	x4
B	ST-AB1218 ADJUSTABLE BEAM 	x1	C	2x LP-LE75 	x1	E	70mm CHIPBOARD SCREW 	x5
F	100mm x 50mm BRACKET 	x2	G	3mm SPACER 	x1	H	25mm CHIPBOARD SCREW 	x4

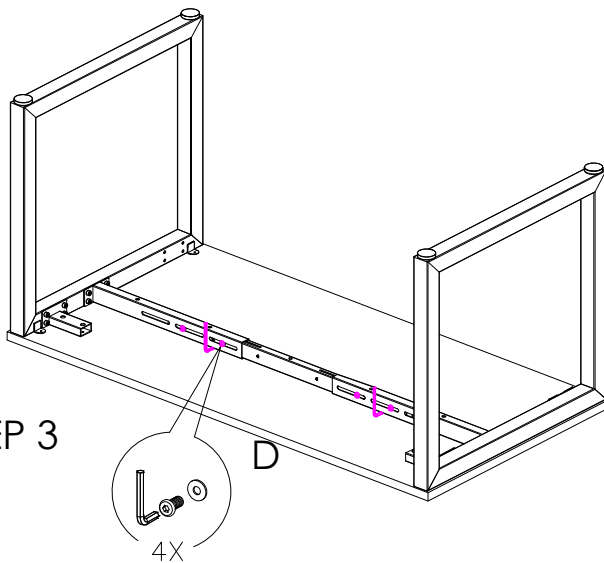
### STEP 1



### STEP 2



### STEP 3



CAUTION:  
HEAVY



2 PERSON HEAVY  
ASSEMBLY

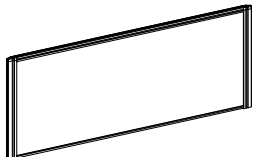

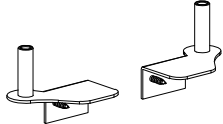
Office FURNITURE  
Brisbane

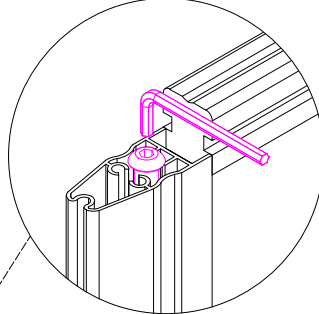
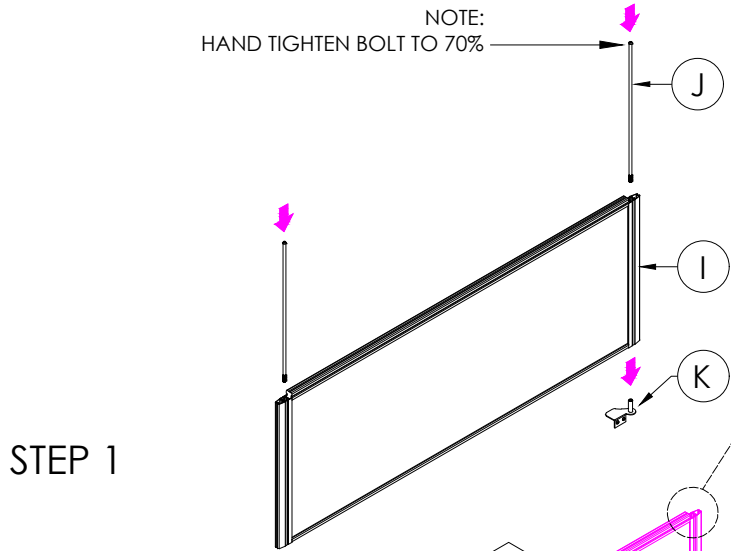
PRODUCT CODE:  
ST-DK157+LP-INS157-1  
ASSEMBLY INSTRUCTION-PART 1

ASSEMBLED SIZE:  
1500L x 750D x 730H

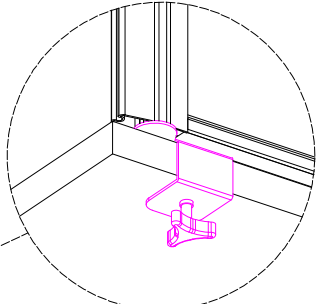
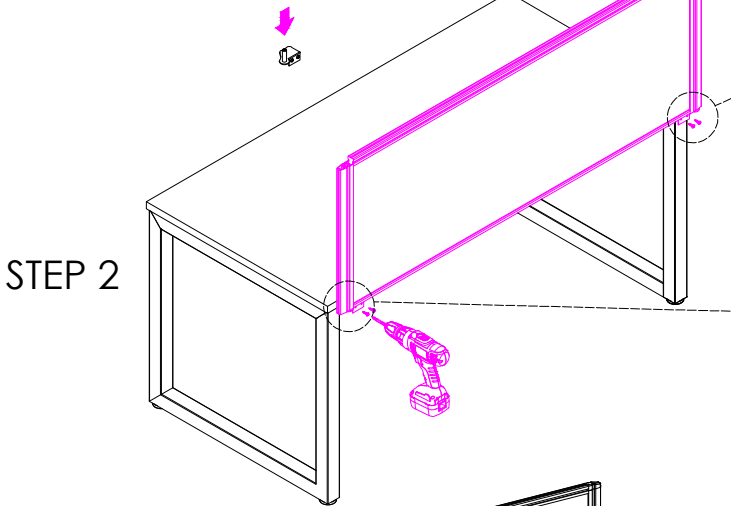
REMARKS:  
LP-LE75 + ST-AB1218 REV2

Office FURNITURE  
Brisbane

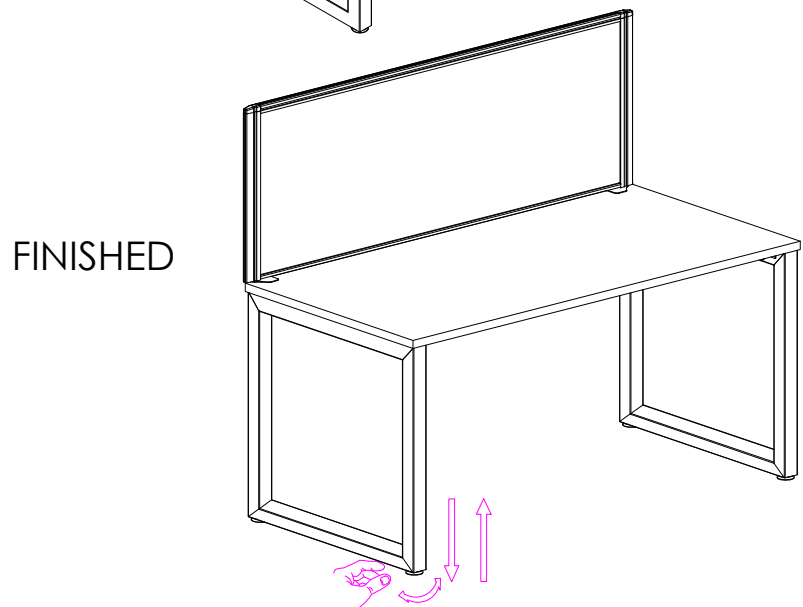
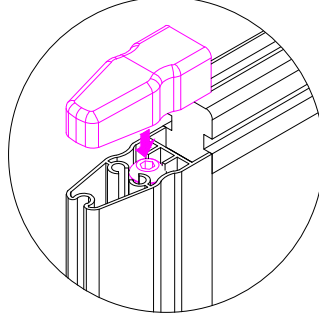
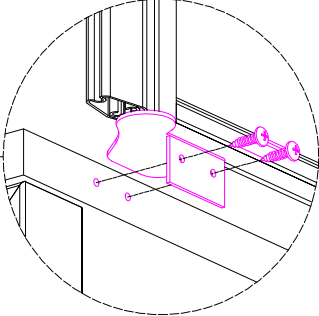
I	VARIOUS SIZES  S23 PARTITION	x1	J	 ROD PACKED INSIDE THE PARTITION	x2
			K	S23-BR520SM  BRACKETS	x1



NOTE:  
TIGHTEN ROD 100%  
AFTER BRACKET FITTED  
TO DESK.



BRACKET OPTION  
S23-BR520CL



CAUTION:  
HEAVY



2 PERSON HEAVY  
ASSEMBLY

Office FURNITURE Brisbane	PRODUCT CODE: SCREEN PARTITION (S23) ASSEMBLY INSTRUCTION-PART 2	REMARKS: -	REV2
	ASSEMBLED SIZE: VARIOUS SIZES	Office FURNITURE Brisbane	