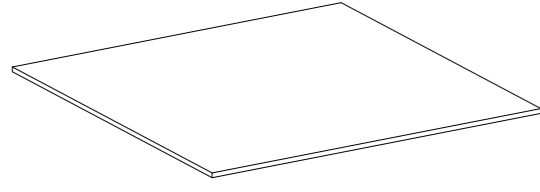
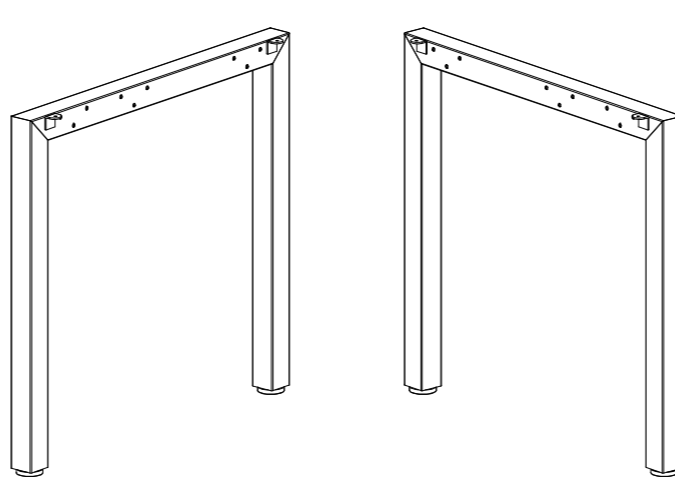
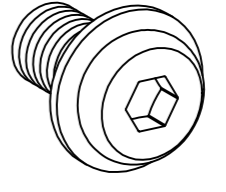
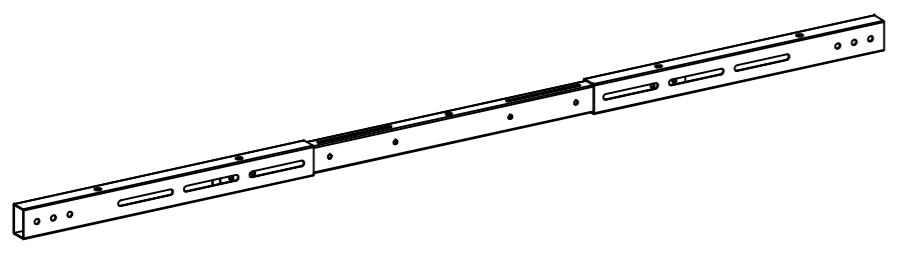
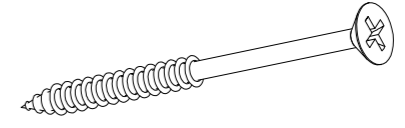
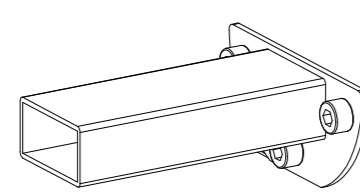
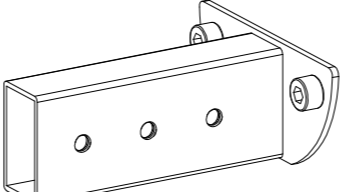
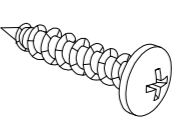
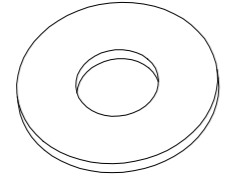
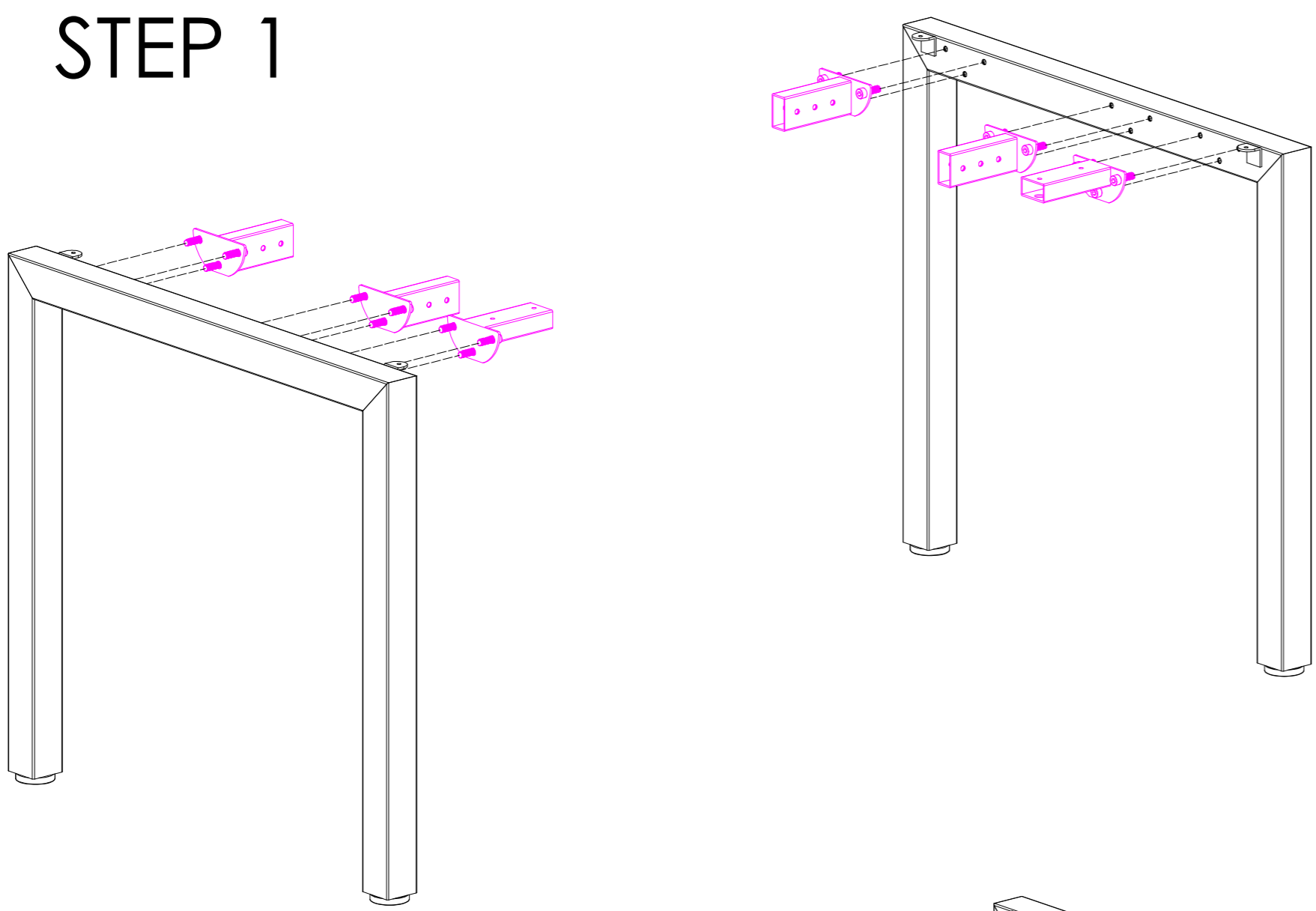
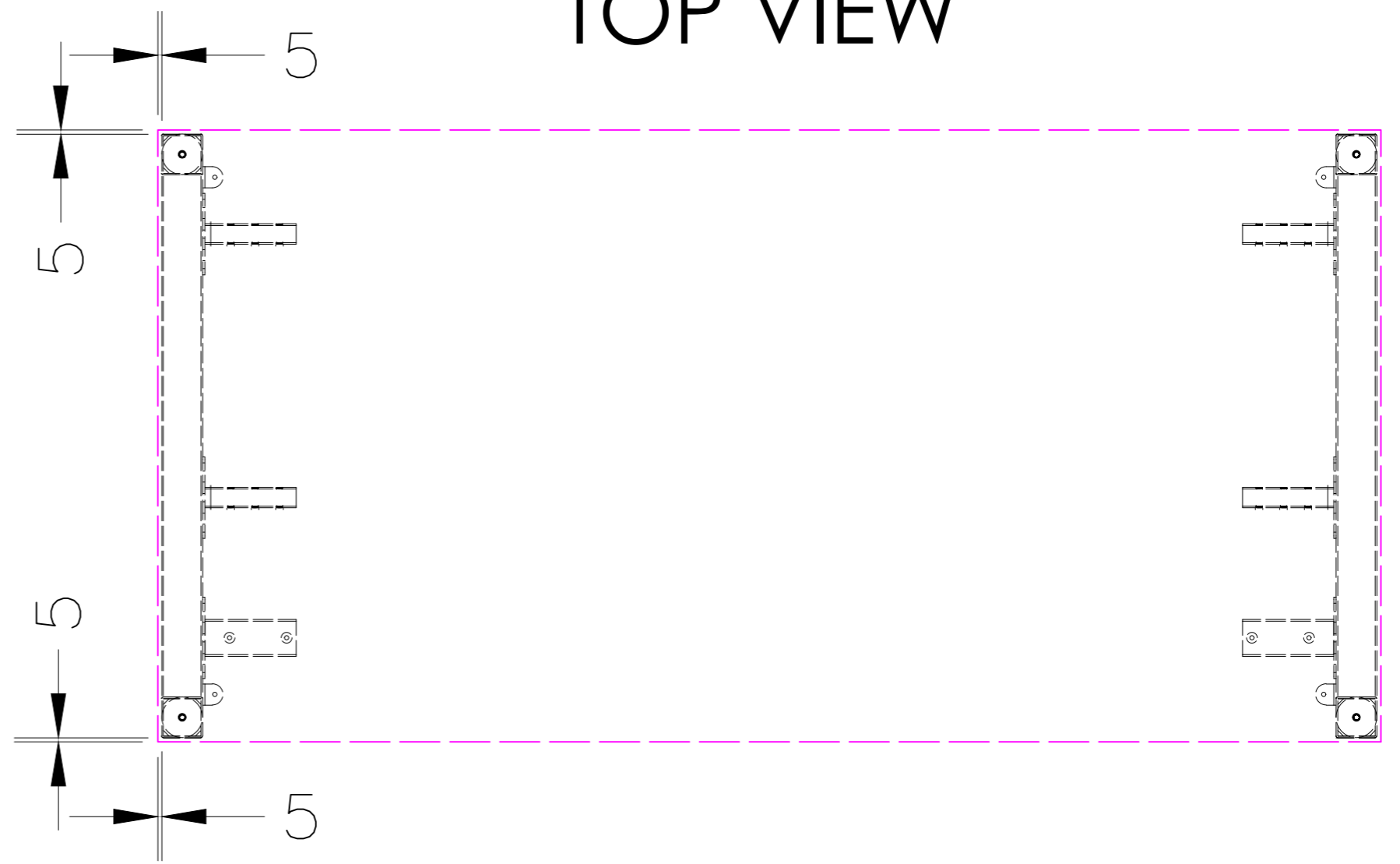


A		x2	C		x1	D		x16
B		x2				E		x10
F		x2	G		x4	H		x4
I		x2						

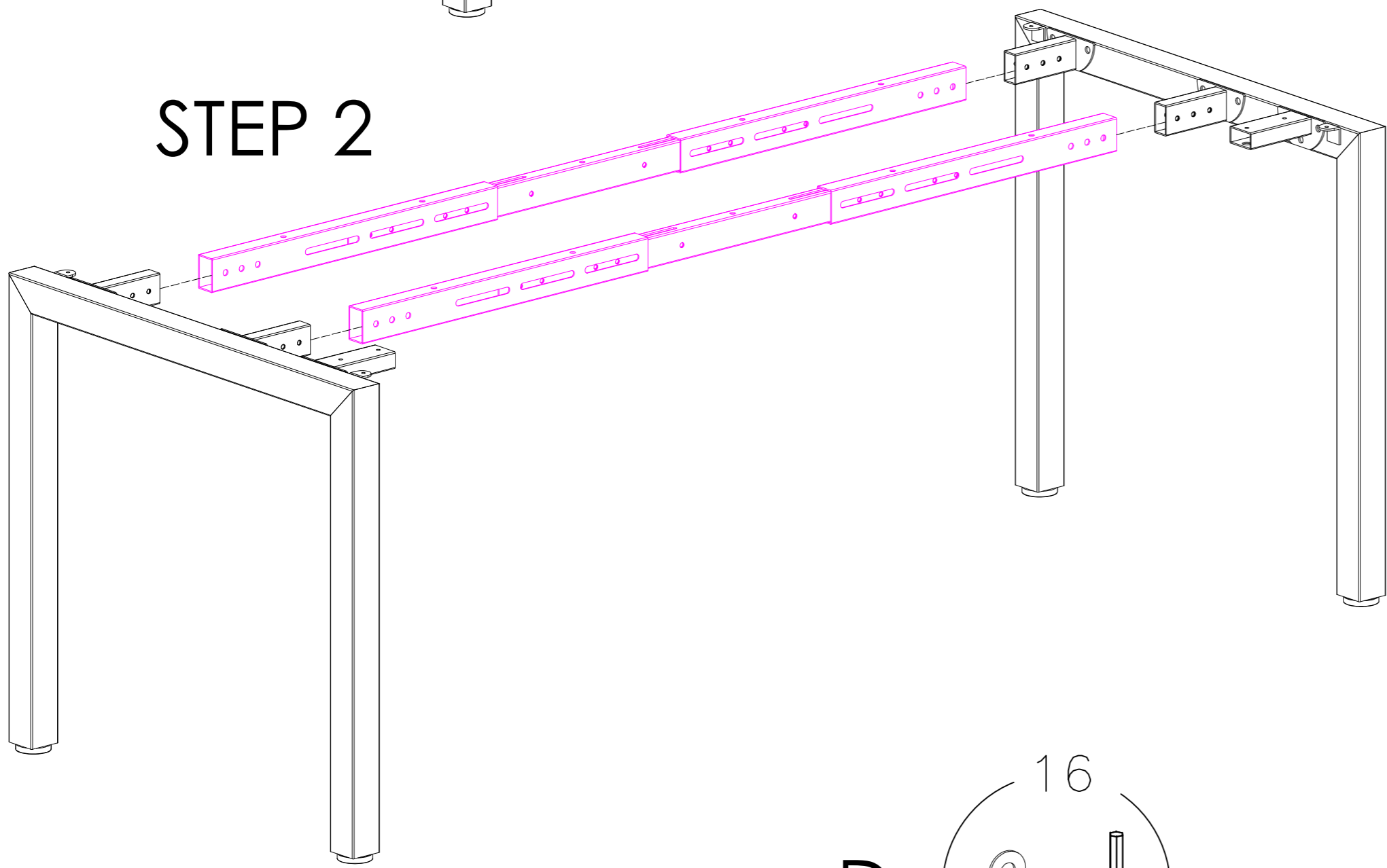
STEP 1



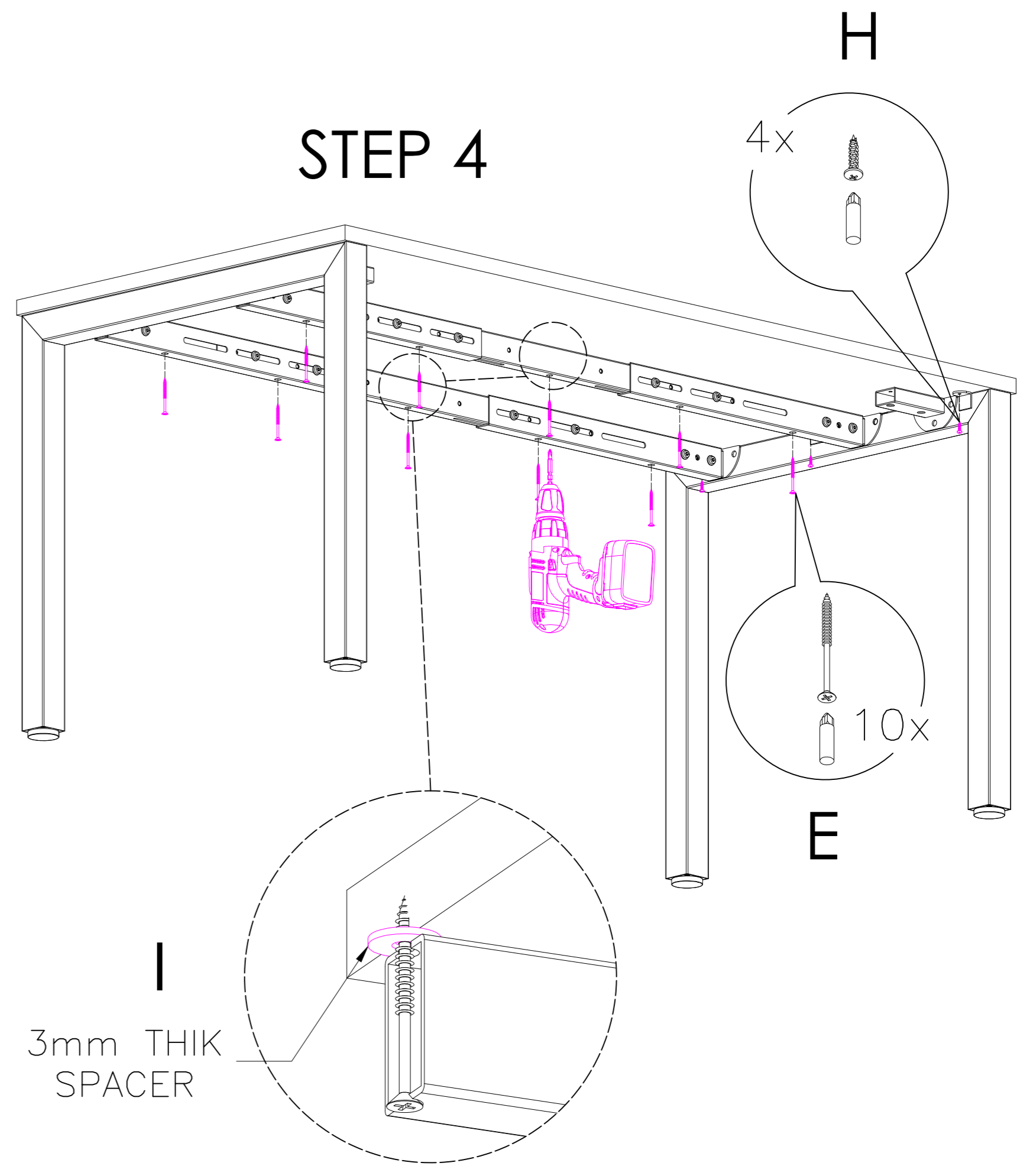
TOP VIEW



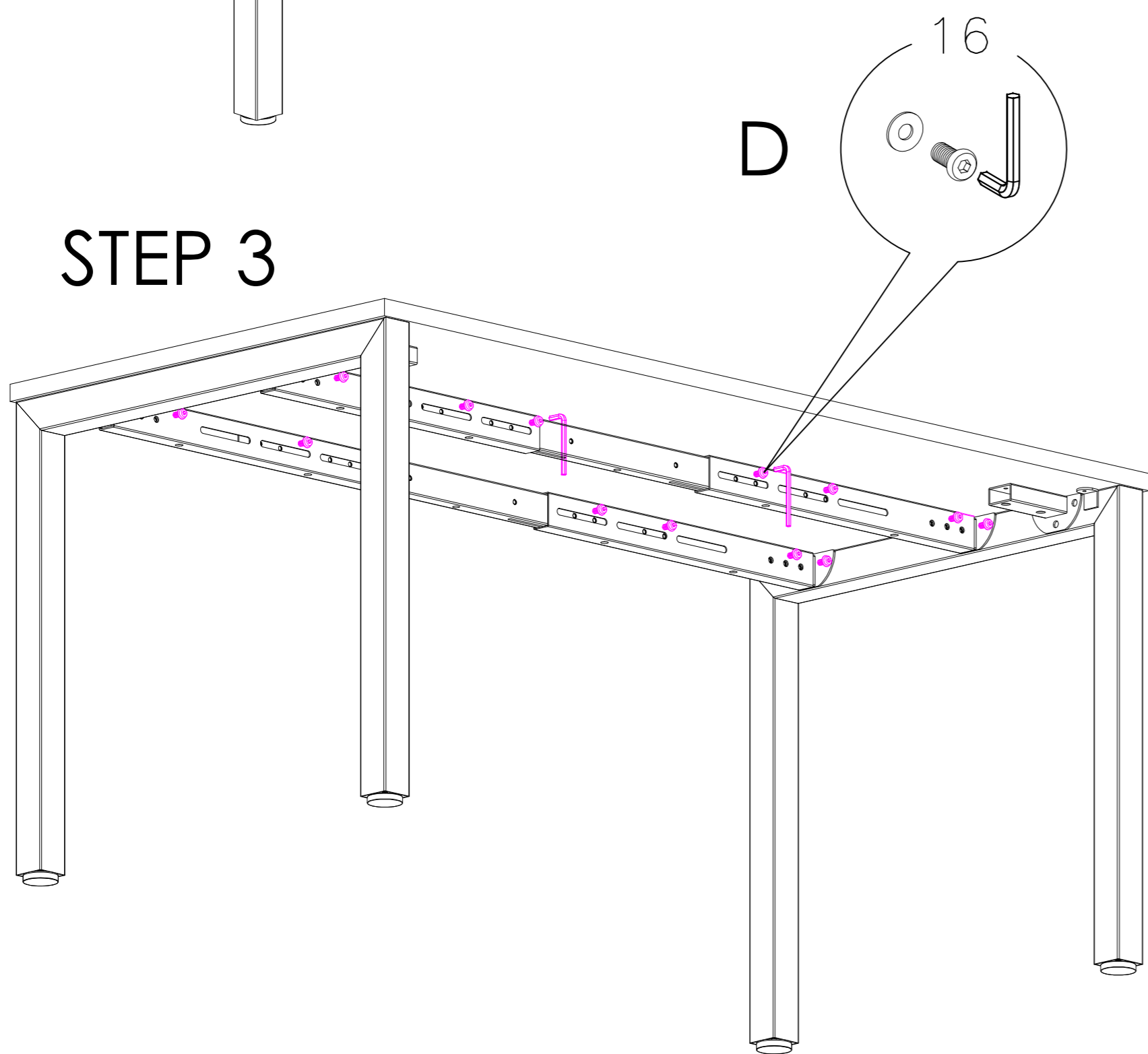
STEP 2



STEP 4



STEP 3



CAUTION:
HEAVY

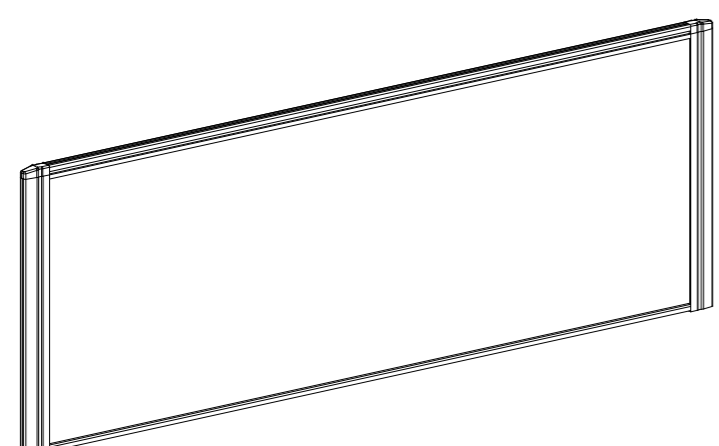
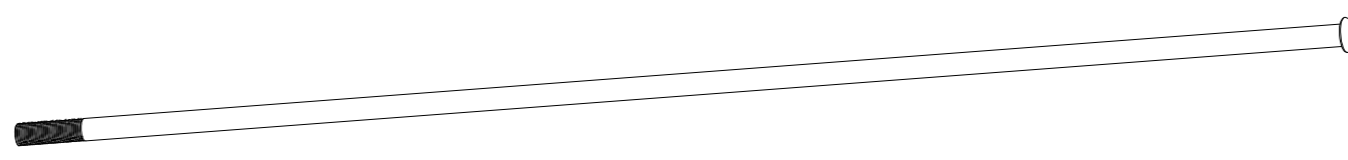
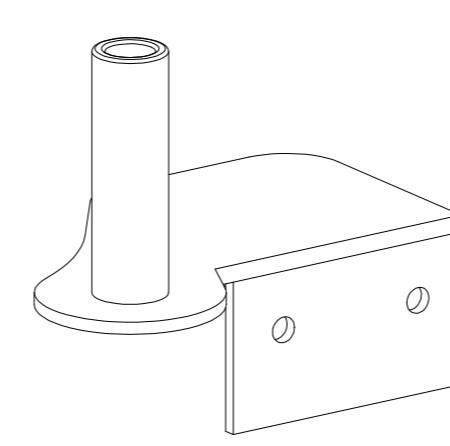


2 PERSON HEAVY
ASSEMBLY

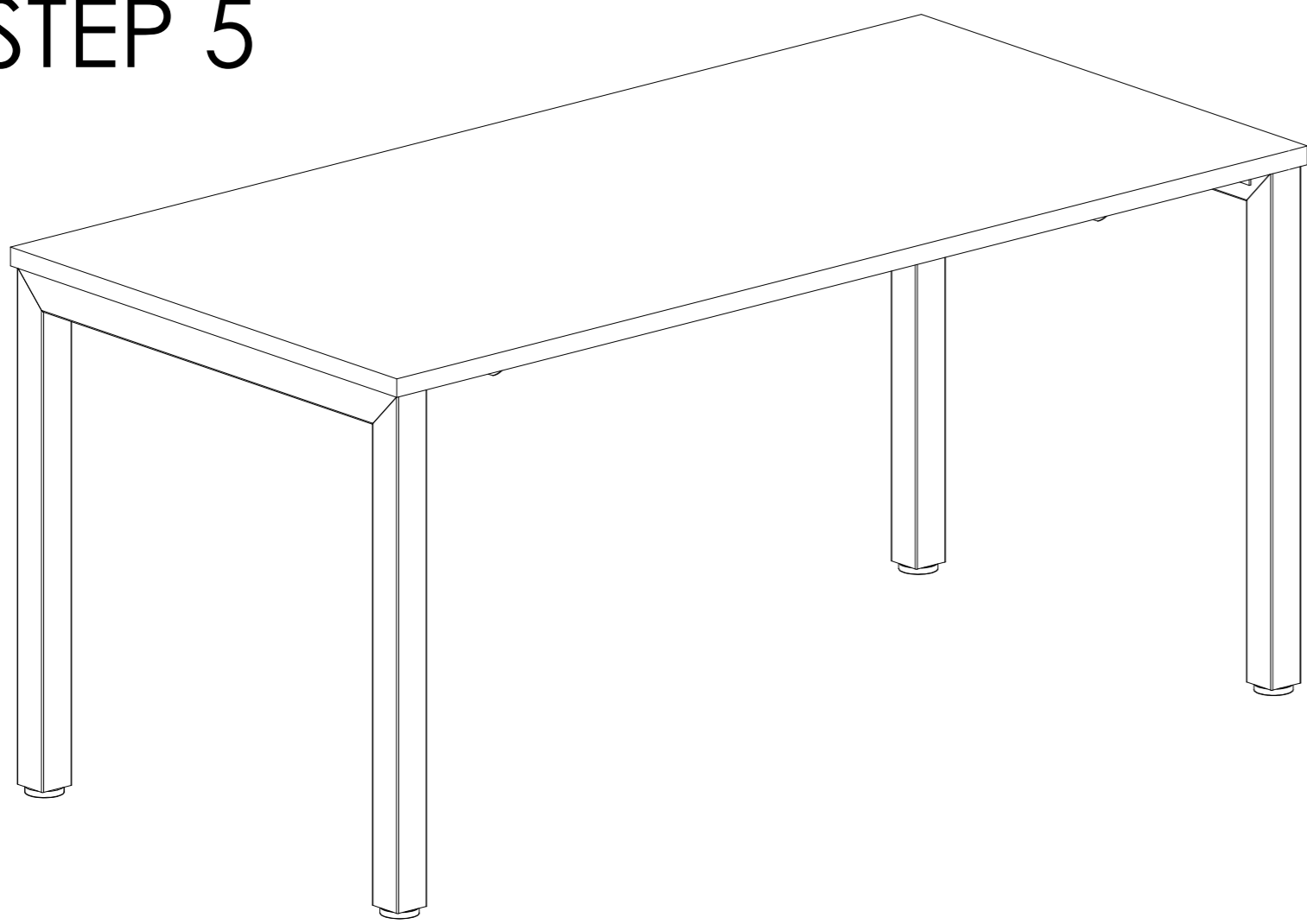
Office FURNITURE
Brisbane

PRODUCT CODE:
ST-INS157-1
ASSEMBLY INSTRUCTION-PART 1
ASSEMBLED SIZE:
1500L x 750D x 700H

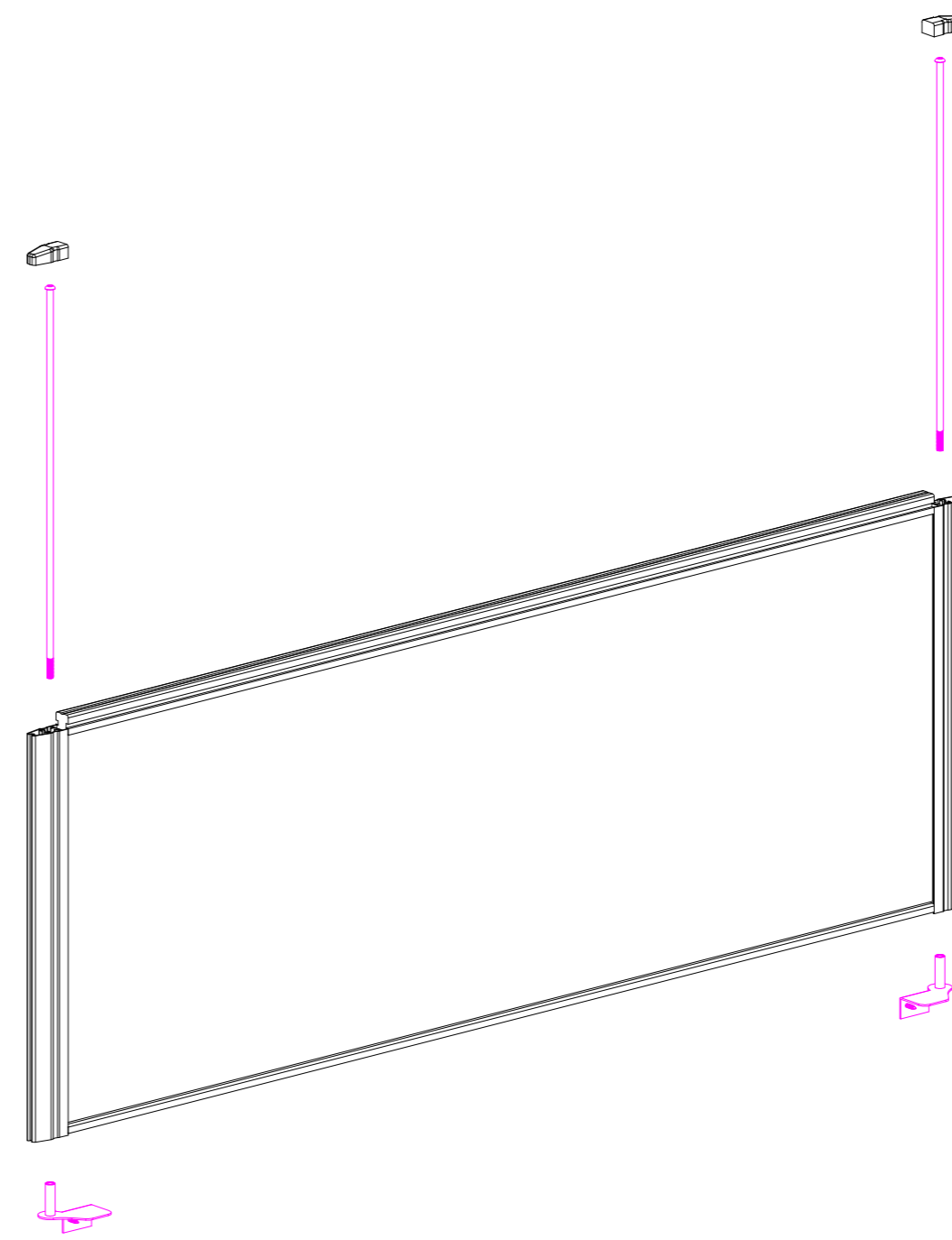
REMARKS:
ST-LE75 + ST-AB1218
Office FURNITURE
Brisbane

J		x1	K		*PACKED INSIDE THE PARTITION	x2
			L	 SL-BR520SM	x2	

STEP 5



STEP 6

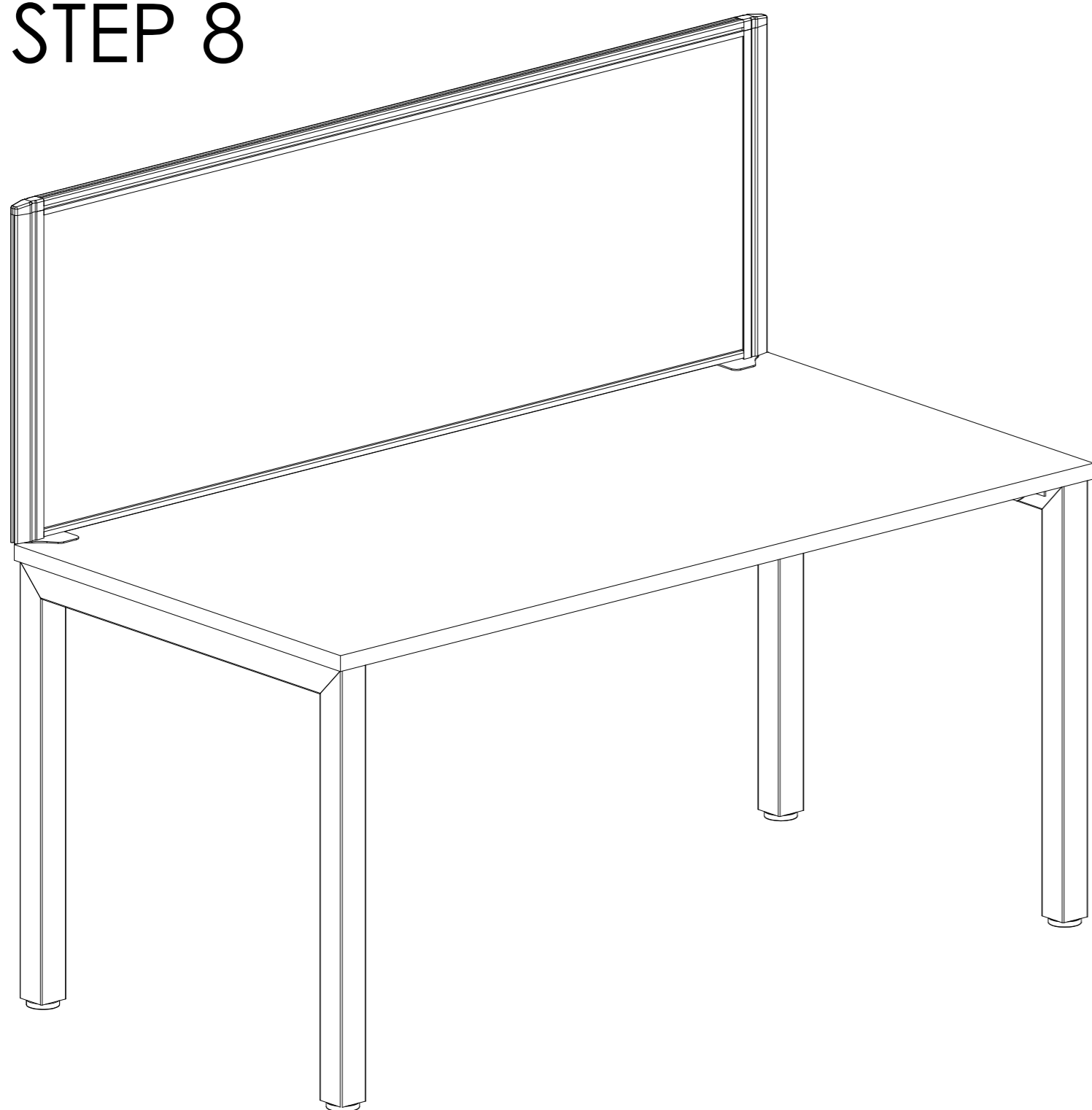


L+K

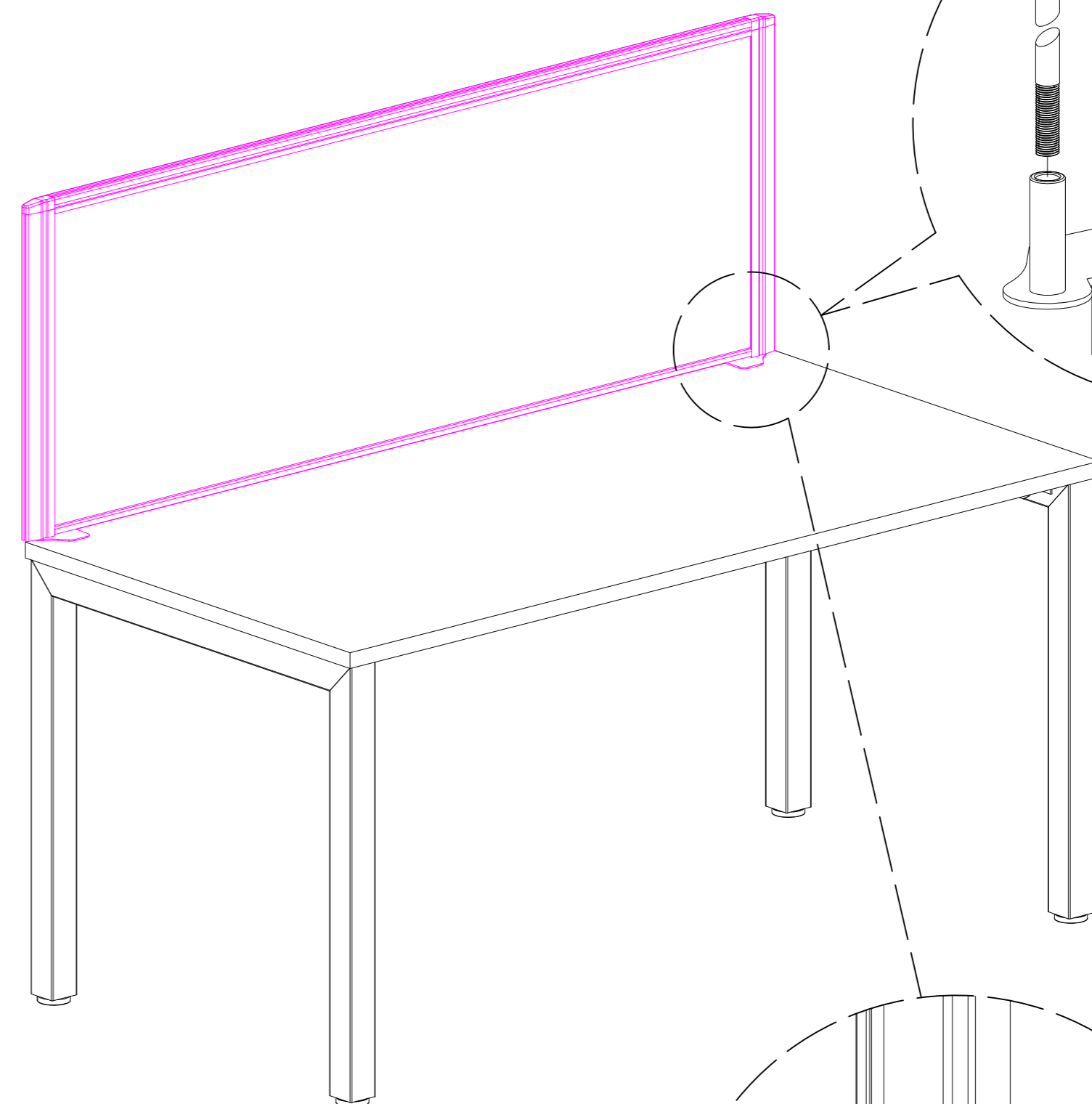
2X

(SL-BR520SM)

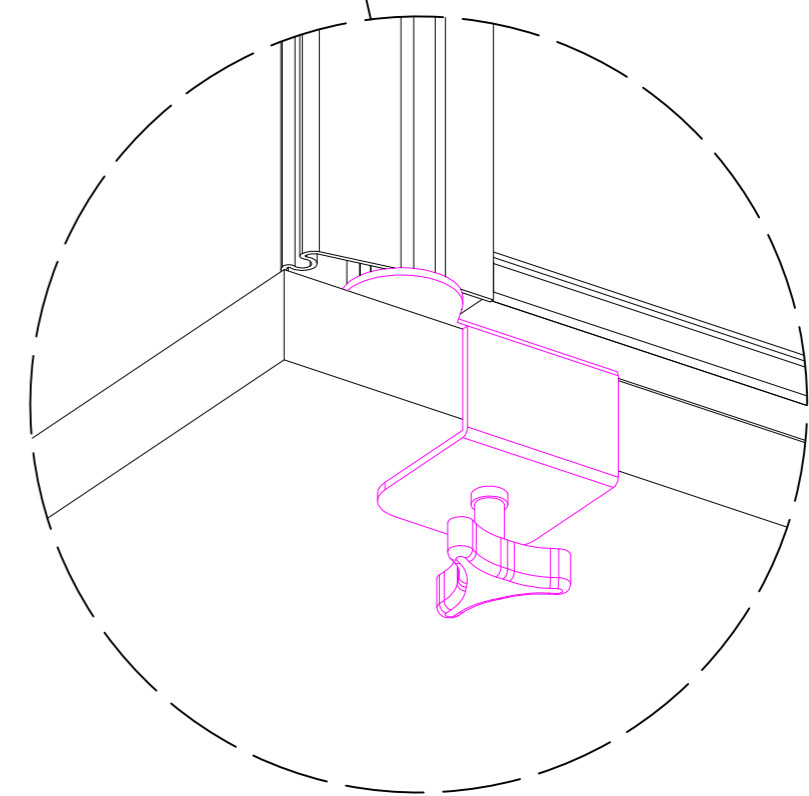
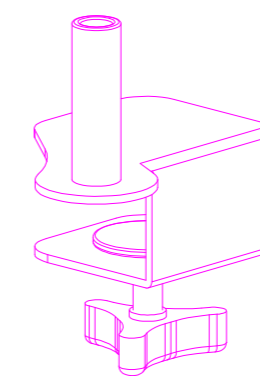
STEP 8



STEP 7



BRACKET OPTION
(SL-BR520CL)



CAUTION:
HEAVY



2 PERSON HEAVY
ASSEMBLY

Office FURNITURE
Brisbane

PRODUCT CODE:
ST-INS157-1
ASSEMBLY INSTRUCTION-PART 2
ASSEMBLED SIZE:
1500L x 750D x 700H

REMARKS:
ST-LE75 + ST-AB1218
Office FURNITURE
Brisbane