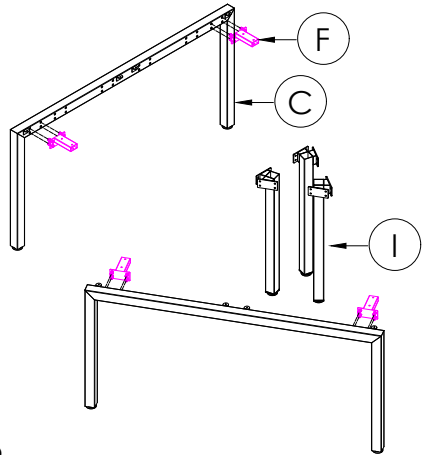
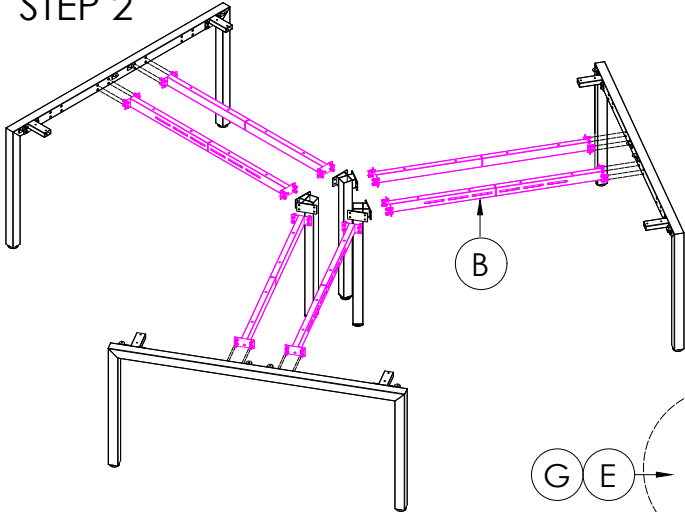


A	VARIOUS SIZES DESKTOP	x3	C	ST-LE15	x3	D	M6 x 20mm BUTTON HEAD ALLEN BOLT	x24
B	ST-AB1218 ADJUSTABLE BEAM	x6				E	70mm CHIPBOARD SCREW	x30
F	100mm x 50mm BRACKET	x6	G	3mm SPACER	x6	H	25mm CHIPBOARD SCREW	x12
I	ST-120WSCL	x3						

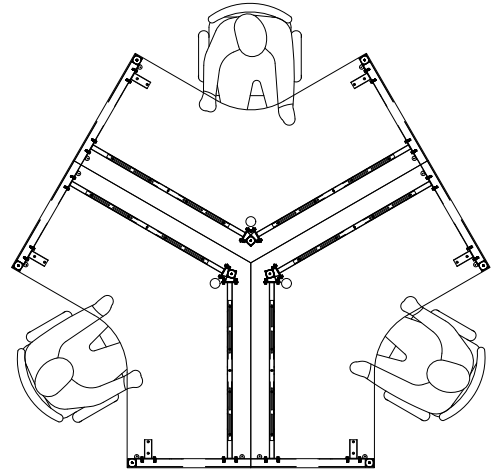
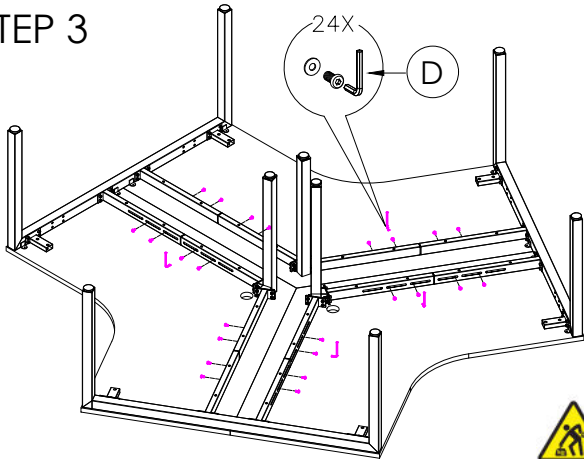
STEP 1



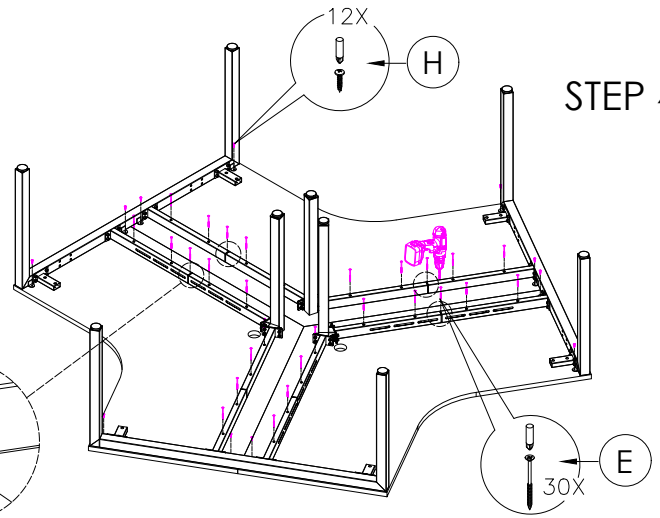
STEP 2



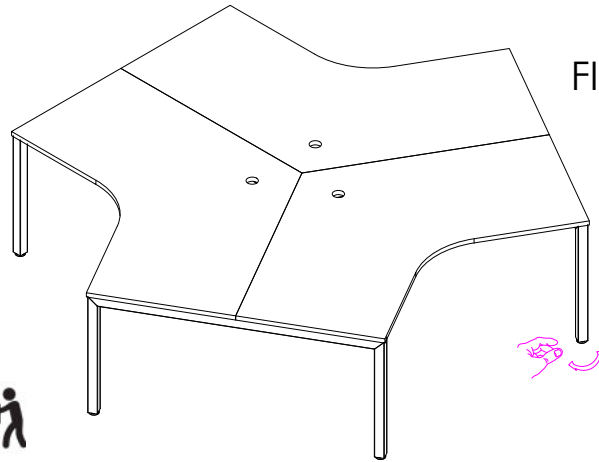
STEP 3



STEP 4



FINAL



CAUTION:
HEAVY



2 PERSON HEAVY
ASSEMBLY

