

R5 EXECUTIVE MESH SEATING

KUBE



FEATURES

- » Adjustable seat height
- » Adjustable seat and back angle
- » Adjustable seat depth (seat slider)
- » Adjustable weight tension
- » Adjustable lumbar
- » Adjustable arms
- » Optional adjustable headrest
- » Synchron mechanism with 3 locking positions
- » 670mm black nylon 5 star base
- » Available in black only
- » BIFMA tested
- » Minor assembly required
- » Suitable for indoor use only
- » 5 year warranty
- » Weight limit is 130kg

INDOOR USE ONLY

X Do not use as a step ladder

ADJUSTABLE LUMBAR

RIGHT KNOB

To adjust weight tension

INNER RIGHT LEVER

To adjust seat height

670MM BLACK NYLON 5 STAR BASE WITH CASTORS

Use soft tyred castors for tiles
Use hard tyred castors for carpet

OPTIONAL ADJUSTABLE HEADREST

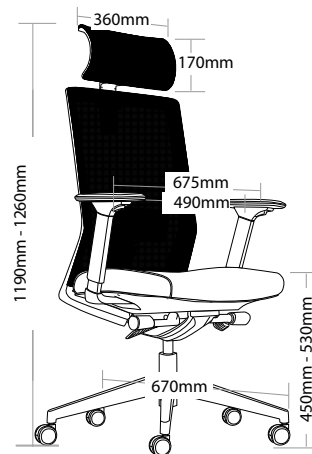
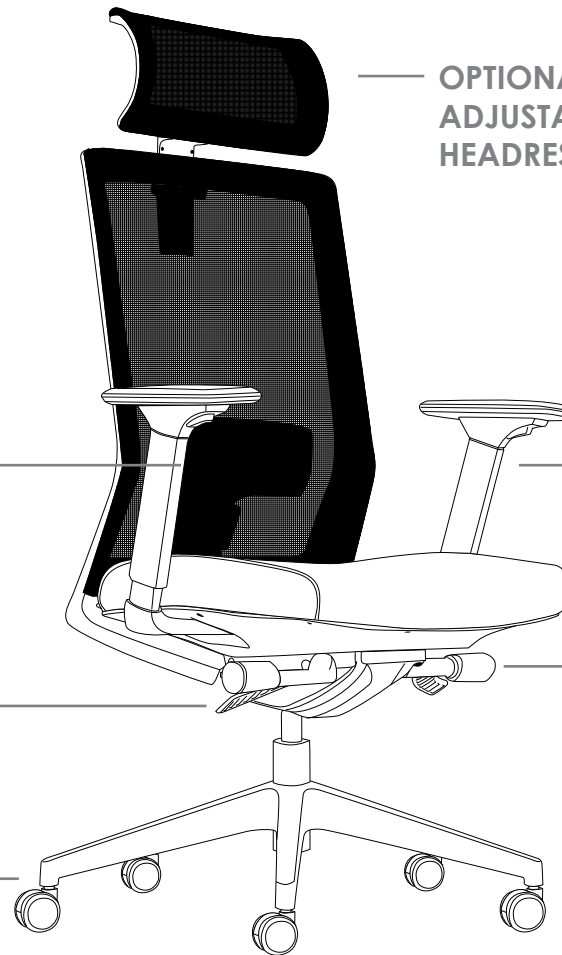
ADJUSTABLE ARMS

LEFT KNOB

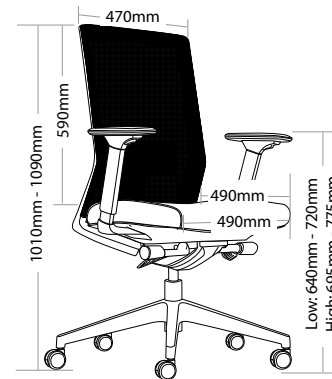
To adjust seat and back angle

INNER LEFT LEVER

To adjust seat depth (seat slider)



KUBE-H



KUBE-L

KUBE EXECUTIVE MESH SEATING



KUBE-H



KUBE-L



BACK VIEW

** Please note that the Headrest should not be used to manoeuvre the chair.*