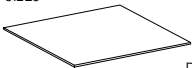

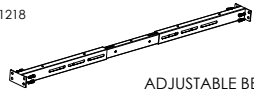
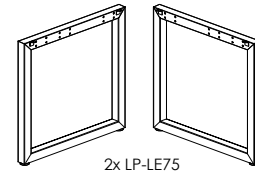

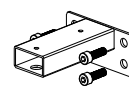
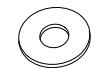

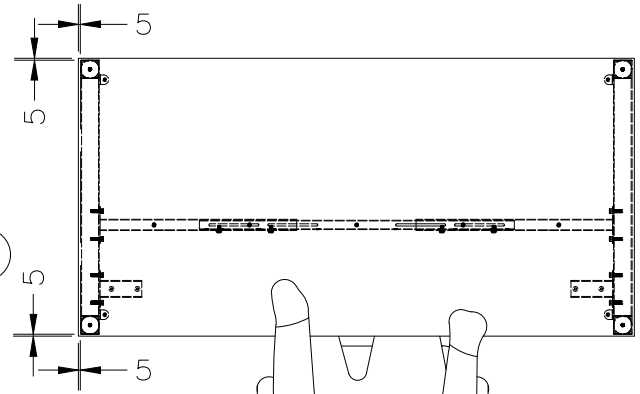
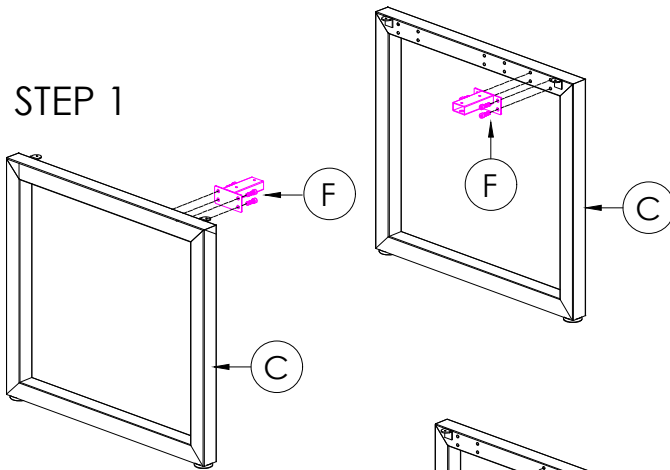
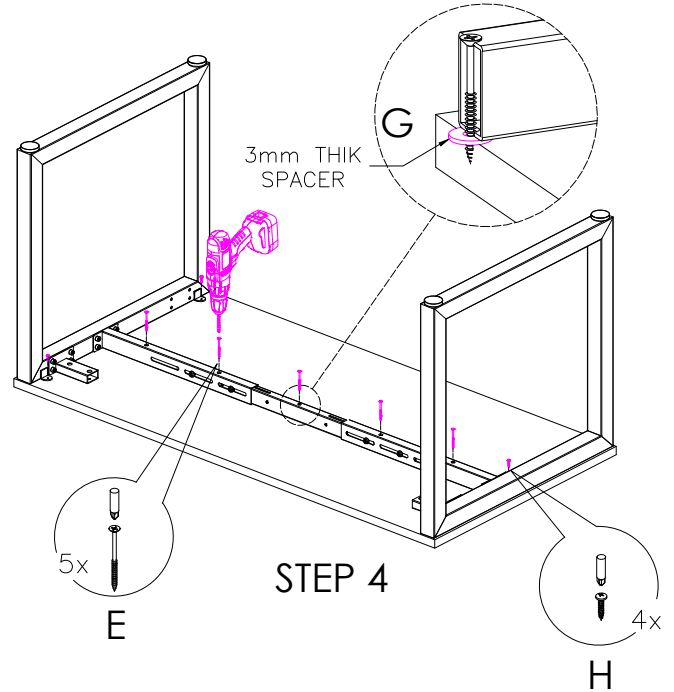
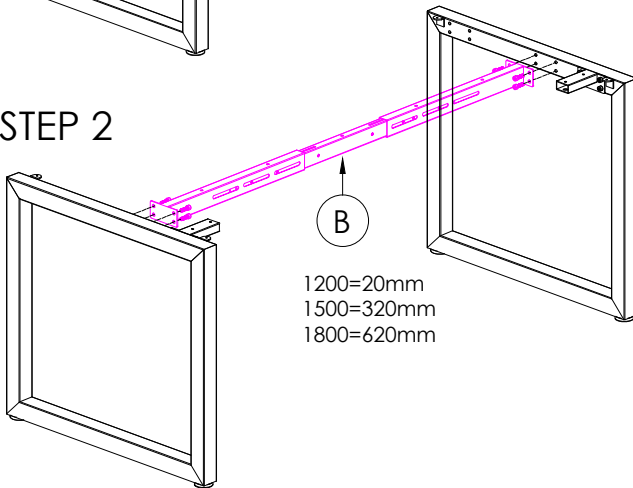


|   |   |    |   |   |    |   |   |    |
|---|---|----|---|---|----|---|---|----|
| A | VARIOUS SIZES<br>DESKTOP<br>      | x1 |   |   |    | D | M6 x 20mm<br>BUTTON HEAD ALLEN BOLT<br> | x4 |
| B | ST-AB1218<br>ADJUSTABLE BEAM<br> | x1 | C | 2x LP-LE75<br>  | x1 | E | 70mm<br>CHIPBOARD SCREW<br>            | x5 |
| F | 100mm x 50mm<br>BRACKET<br>      | x2 | G | 3mm SPACER<br> | x1 | H | 25mm<br>CHIPBOARD SCREW<br>            | x4 |

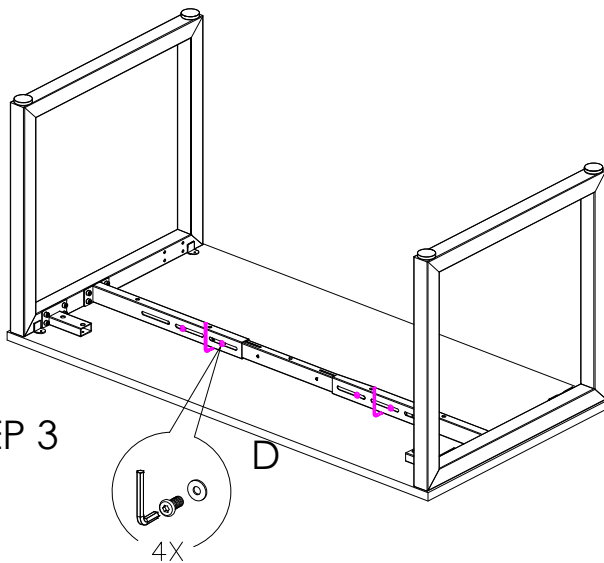
### STEP 1



### STEP 2



### STEP 3



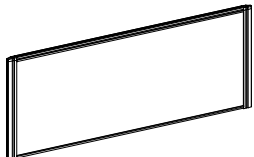

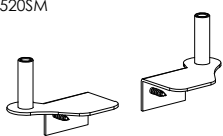
Office FURNITURE  
Brisbane

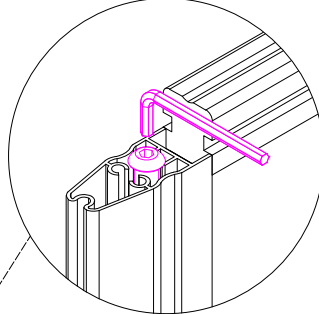
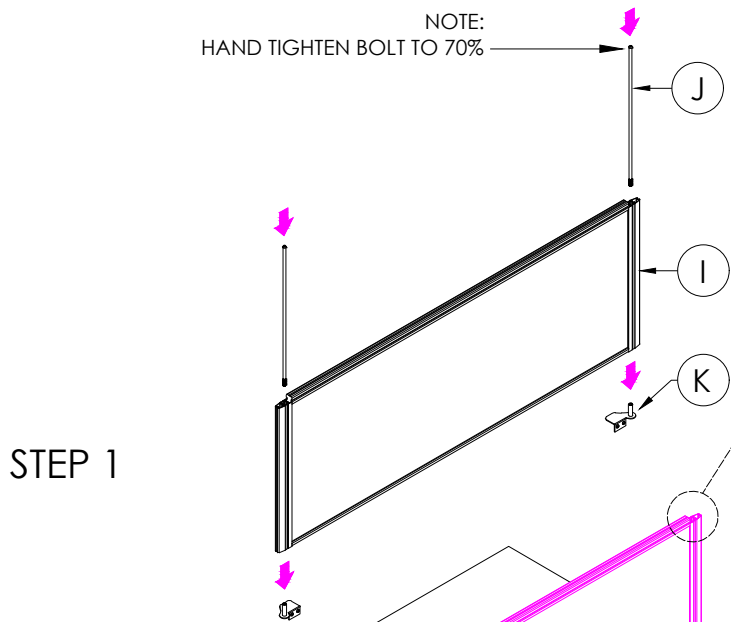
PRODUCT CODE:  
ST-DK157+LP-INS157-1  
ASSEMBLY INSTRUCTION-PART 1

ASSEMBLED SIZE:  
1500L x 750D x 730H

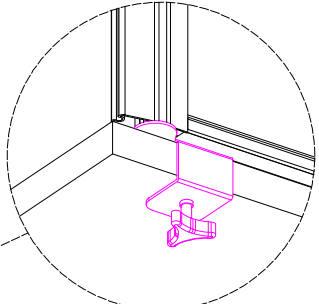
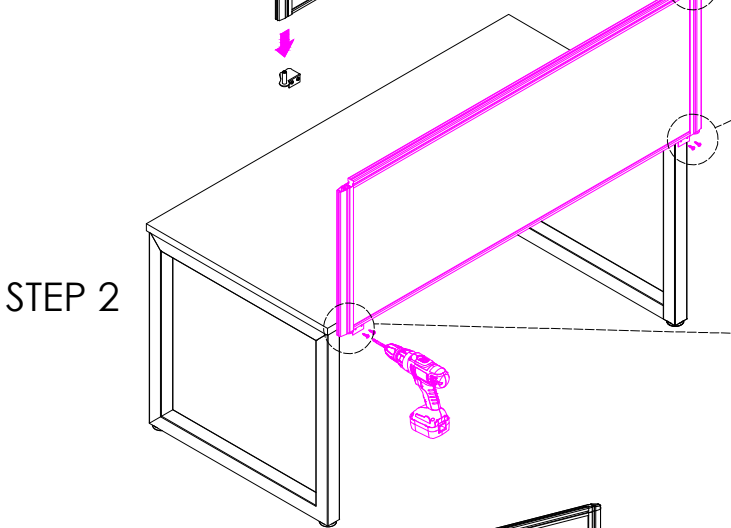
REMARKS:  
LP-LE75 + ST-AB1218 REV2

Office FURNITURE  
Brisbane

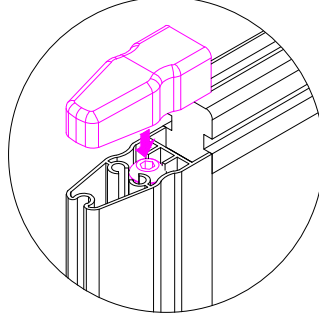
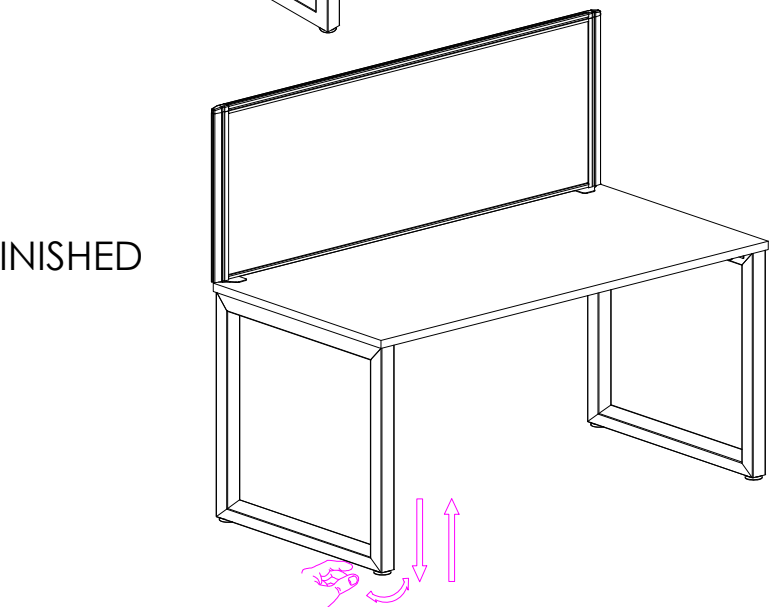
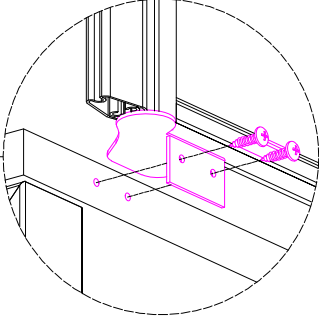
|   |   |    |   |  |    |
|---|---|----|---|--|----|
| I | VARIOUS SIZES<br><br>S23 PARTITION | x1 | J | <br>ROD PACKED INSIDE THE PARTITION | x2 |
|   |   |    | K | S23-BR520SM<br><br>BRACKETS         |    |



NOTE:  
TIGHTEN ROD 100%  
AFTER BRACKET FITTED  
TO DESK.



BRACKET OPTION  
S23-BR520CL



STEP 3



CAUTION:  
HEAVY



2 PERSON HEAVY  
ASSEMBLY

|                              |  |                              |      |
|------------------------------|--|------------------------------|------|
| Office FURNITURE<br>Brisbane | PRODUCT CODE:<br>SCREEN PARTITION (S23)<br>ASSEMBLY INSTRUCTION-PART 2 | REMARKS:<br>-                | REV2 |
|                              | ASSEMBLED SIZE:<br>VARIOUS SIZES                                       | Office FURNITURE<br>Brisbane |      |