
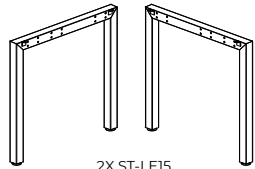
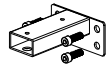
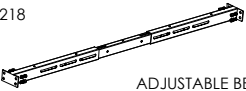

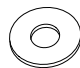


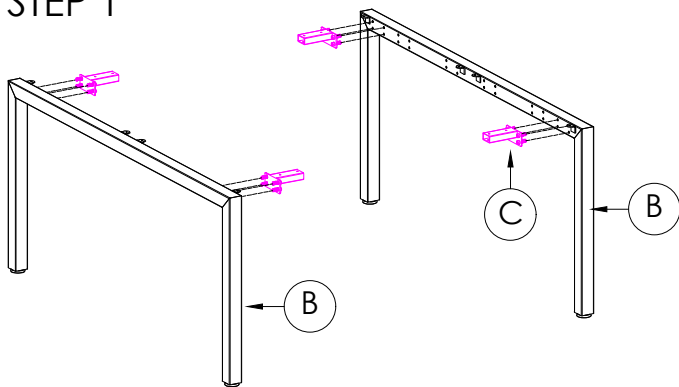
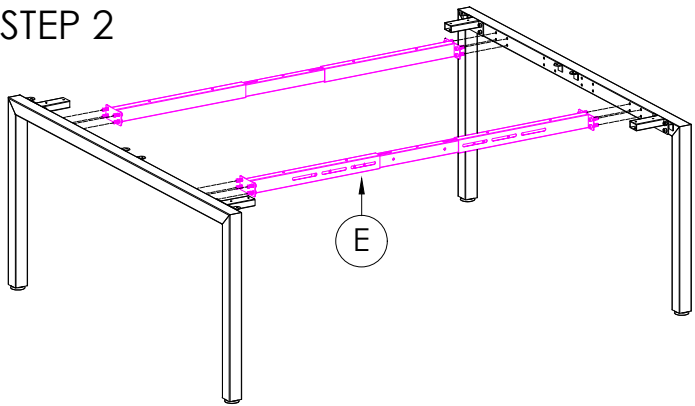


A	VARIOUS SIZES  DESKTOP	x2	B	 2X ST-LE15	x1	C	100mm x 50mm  BRACKET	x4
E	ST-AB1218  ADJUSTABLE BEAM	x2	D	 M6 x 20mm BUTTON HEAD ALLEN BOLT	x8	H	 3mm SPACER	x1
F	70mm  CHIPBOARD SCREW	x10	G	25mm  CHIPBOARD SCREW	x4			

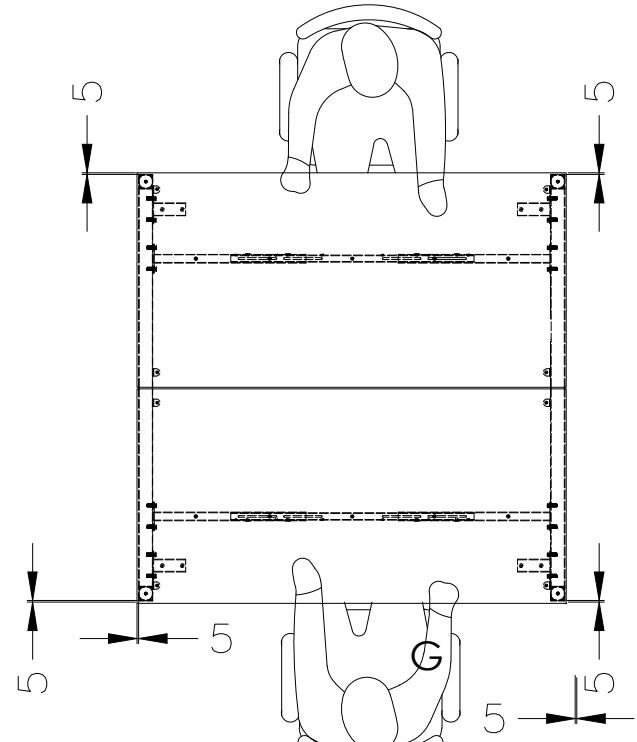
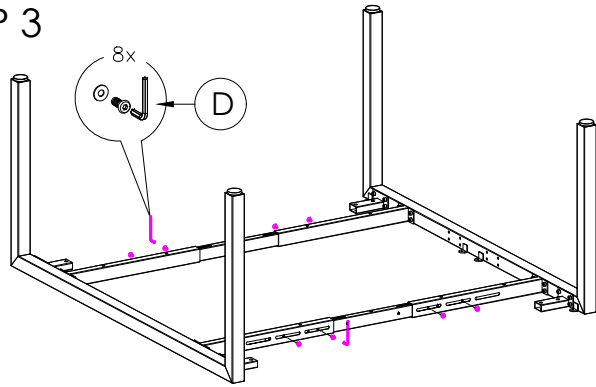
STEP 1



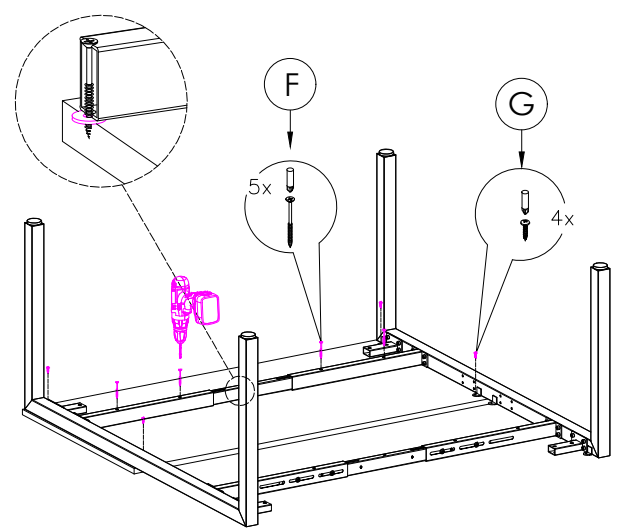
STEP 2



STEP 3



STEP 4



CAUTION:  
HEAVY



2 PERSON HEAVY  
ASSEMBLY

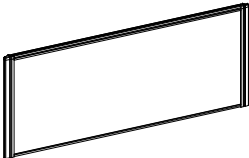

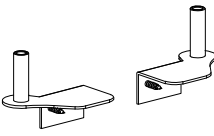


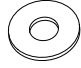
Office FURNITURE  
Brisbane

PRODUCT CODE:  
ST-DK157+ST-IND157-2  
ASSEMBLY INSTRUCTIONS-PART 1

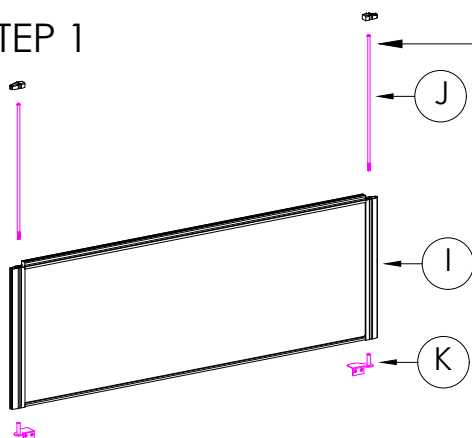
ASSEMBLED SIZE:  
1500L x 1500D x 730H

REMARKS:  
ST-LE15 + ST-AB1218  
REV2

Office FURNITURE  
Brisbane

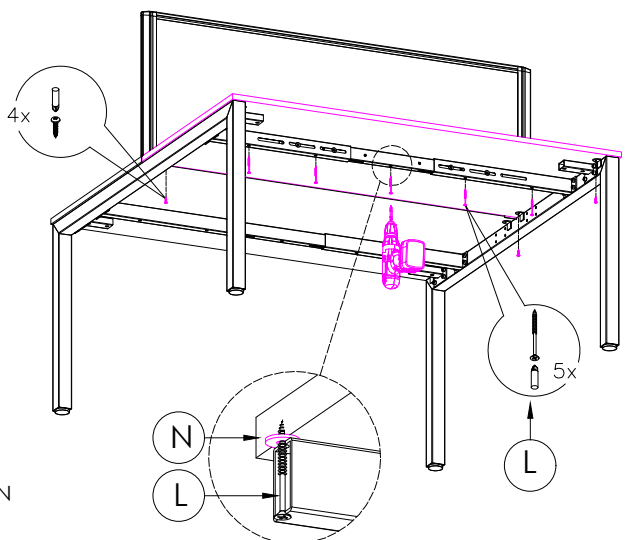
I	VARIOUS SIZES  S23 PARTITION	x1	J	 ROD PACKED INSIDE THE PARTITION	x2	
			K	S23-BR520SM NOTE: CAN USE S23-BR520TM OR S23-BR520CL BRACKETS  BRACKETS	x2	
				L	70mm  CHIPBOARD SCREW	x5
				M	25mm  CHIPBOARD SCREW	x4
N	 3mm SPACER	x1				

STEP 1

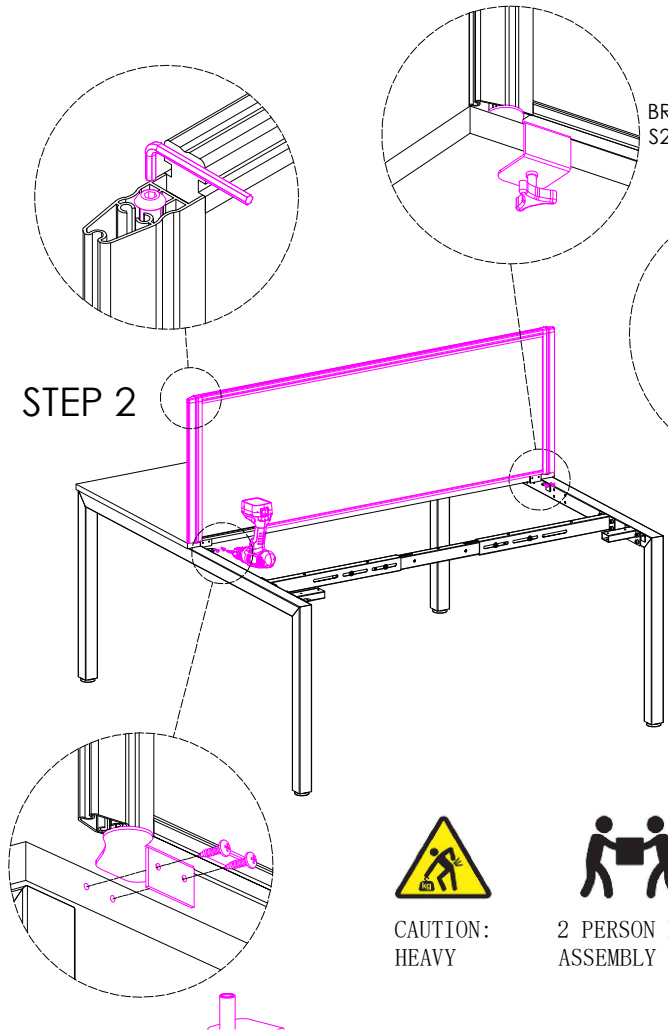


NOTE:  
HAND TIGHTEN BOLT TO 70%

STEP 3



STEP 2



BRACKET OPTION  
S23-BR520CL

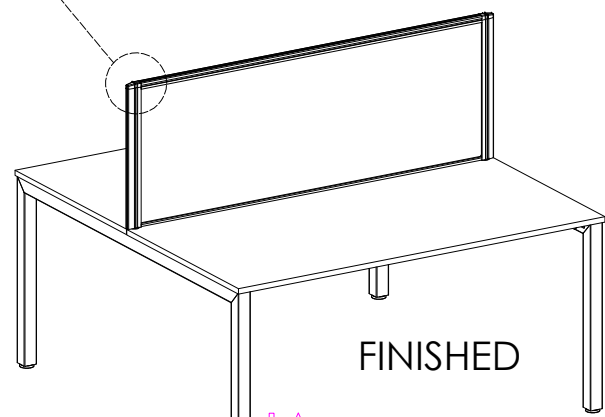
NOTE:  
TIGHTEN ROD 100%  
AFTER BRACKET FITTED  
TO DESK.



CAUTION:  
HEAVY



2 PERSON HEAVY  
ASSEMBLY



FINISHED

Office FURNITURE  
Brisbane

PRODUCT CODE:  
SCREEN PARTITION (S23)  
ASSEMBLY INSTRUCTIONS-PART 2  
ASSEMBLED SIZE:  
VARIOUS SIZES

REMARKS:  
-  
Office FURNITURE  
Brisbane  
REV2