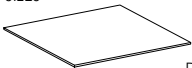

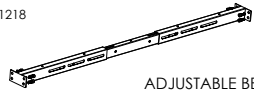
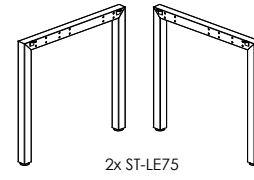

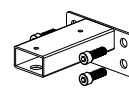
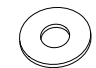

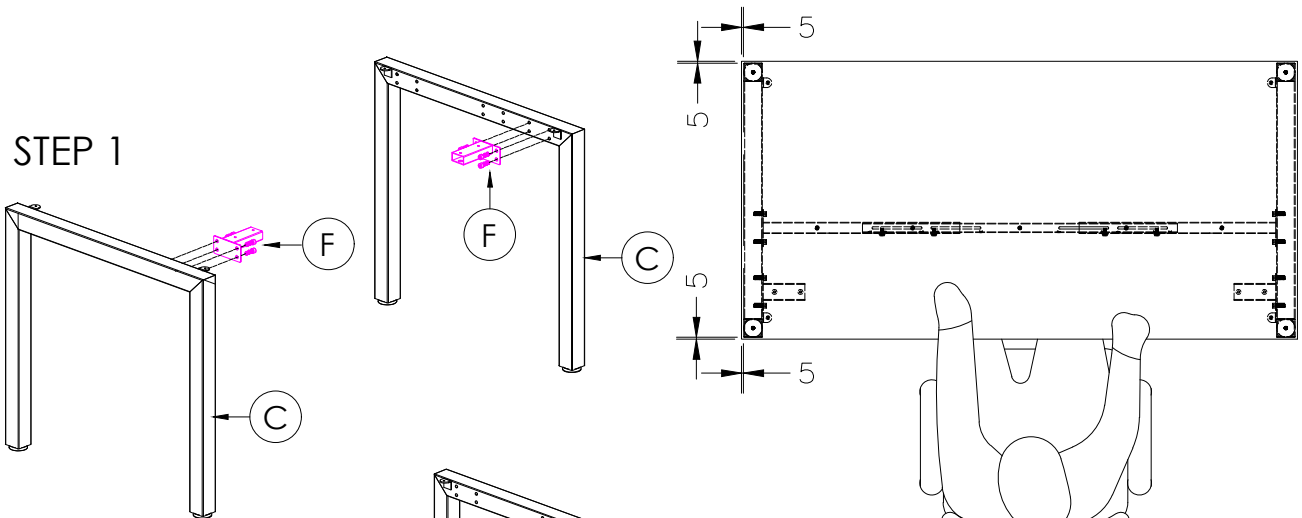
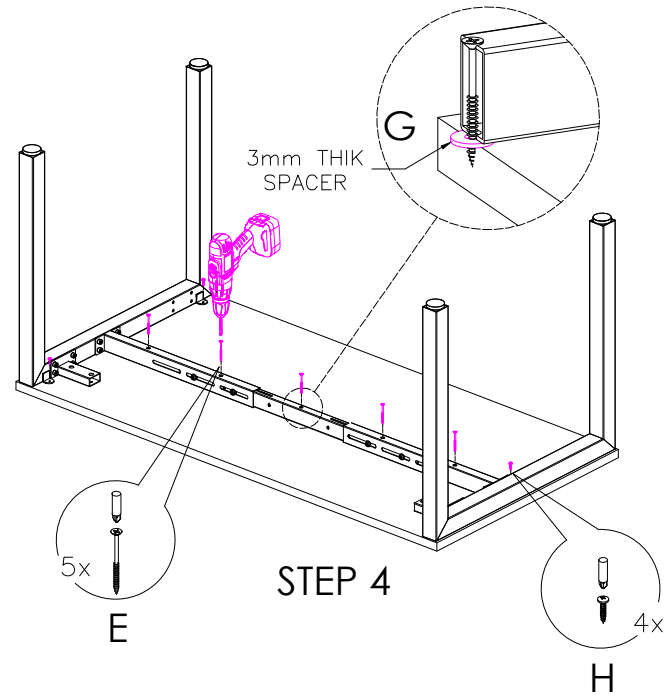
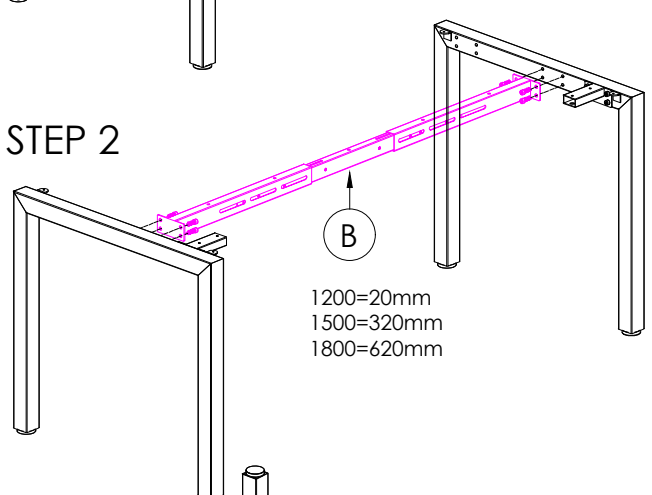


A	VARIOUS SIZES  DESKTOP	x1				D	M6 x 20mm  BUTTON HEAD ALLEN BOLT	x4
B	ST-AB1218  ADJUSTABLE BEAM	x1	C	 2x ST-LE75	x1	E	70mm  CHIPBOARD SCREW	x5
F	100mm x 50mm  BRACKET	x2	G	 3mm SPACER	x1	H	25mm  CHIPBOARD SCREW	x4

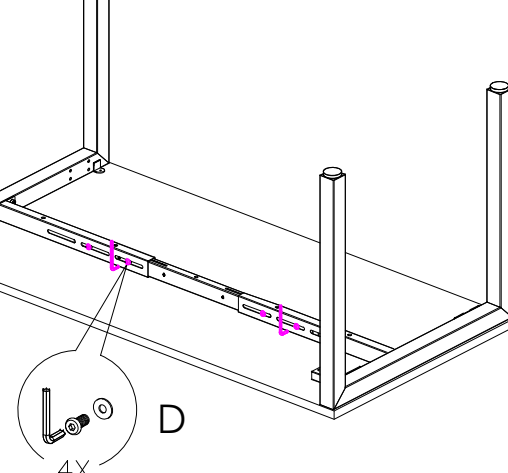
STEP 1



STEP 2



STEP 3



CAUTION:
HEAVY



2 PERSON HEAVY
ASSEMBLY

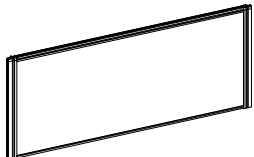

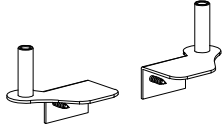
Office FURNITURE
Brisbane

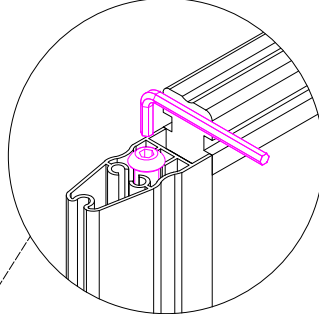
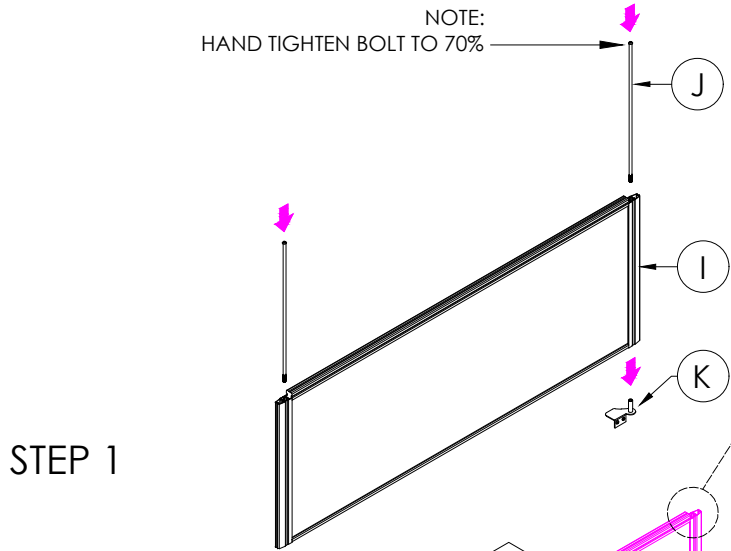
PRODUCT CODE:
ST-DK157+ST-INS157-1
ASSEMBLY INSTRUCTION-PART 1

ASSEMBLED SIZE:
1500L x 750D x 730H

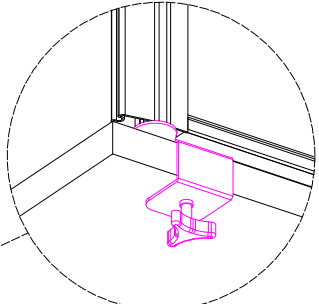
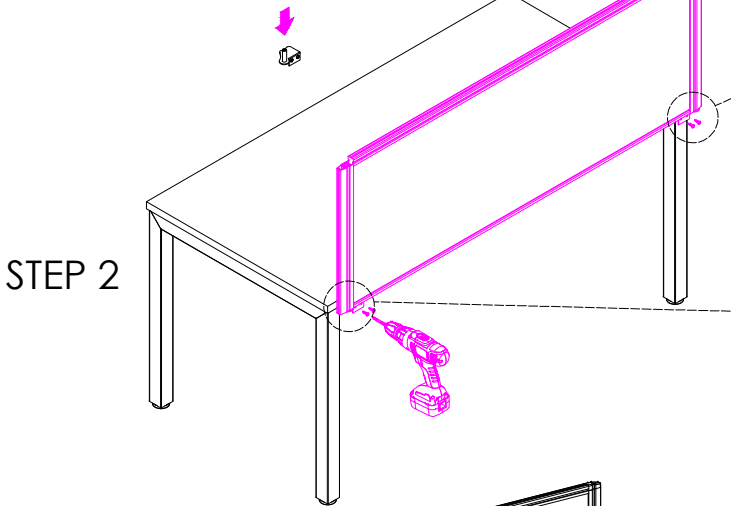
REMARKS:
ST-LE75 + ST-AB1218 REV2

Office FURNITURE
Brisbane

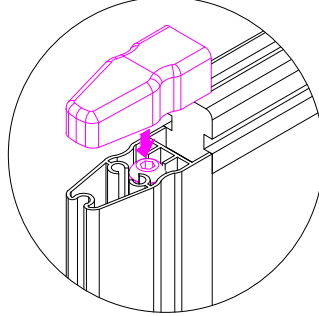
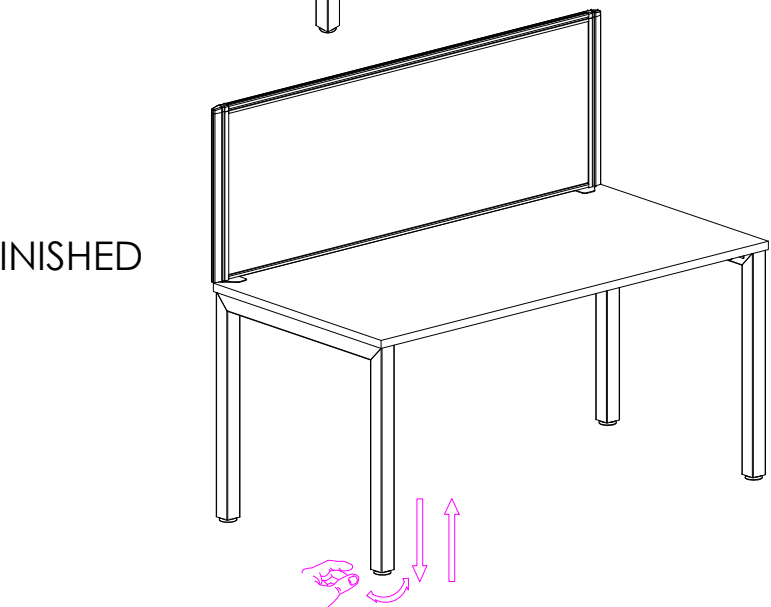
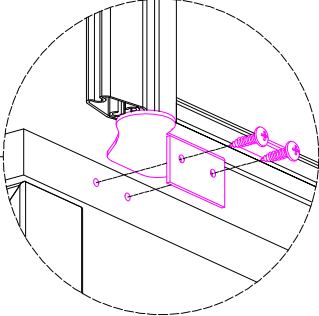
I	VARIOUS SIZES  S23 PARTITION	x1	J	 ROD PACKED INSIDE THE PARTITION	x2
			K	S23-BR520SM  BRACKETS	x1



NOTE:
TIGHTEN ROD 100%
AFTER BRACKET FITTED
TO DESK.



BRACKET OPTION
S23-BR520CL



STEP 3



CAUTION:
HEAVY



2 PERSON HEAVY
ASSEMBLY

Office FURNITURE
Brisbane

PRODUCT CODE:
SCREEN PARTITION (S23)
ASSEMBLY INSTRUCTION-PART 2

ASSEMBLED SIZE:
VARIOUS SIZES

REMARKS:
- REV2

Office FURNITURE
Brisbane