
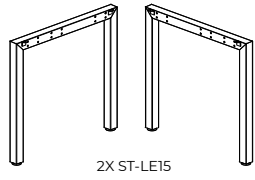
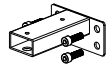
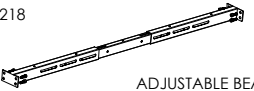

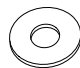


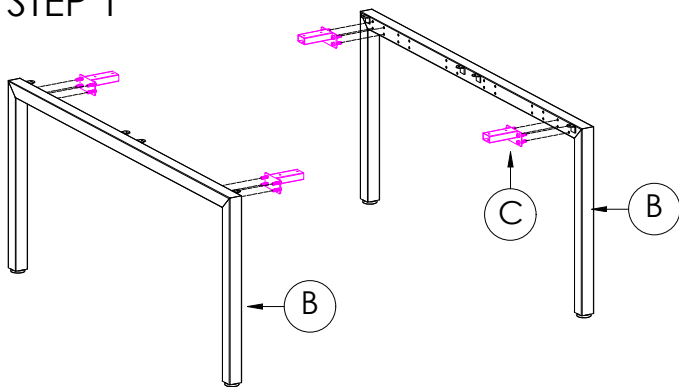
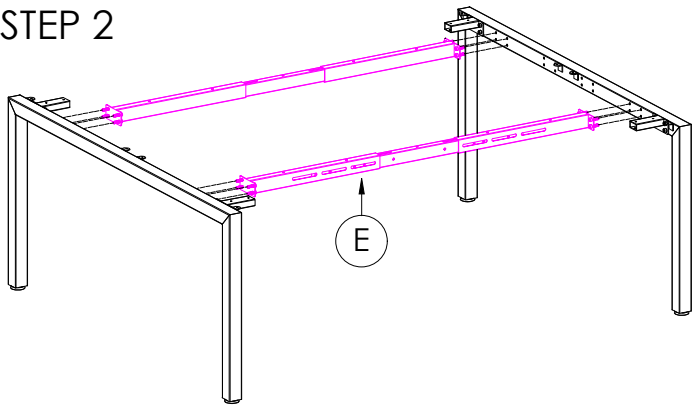


A	VARIOUS SIZES DESKTOP 	x2	B	2X ST-LE15 	x1	C	100mm x 50mm BRACKET 	x4
E	ST-AB1218 ADJUSTABLE BEAM 	x2	D	M6 x 20mm BUTTON HEAD ALLEN BOLT 		H	3mm SPACER 	x8
F	70mm CHIPBOARD SCREW 	x10	G	25mm CHIPBOARD SCREW 	x4			x1

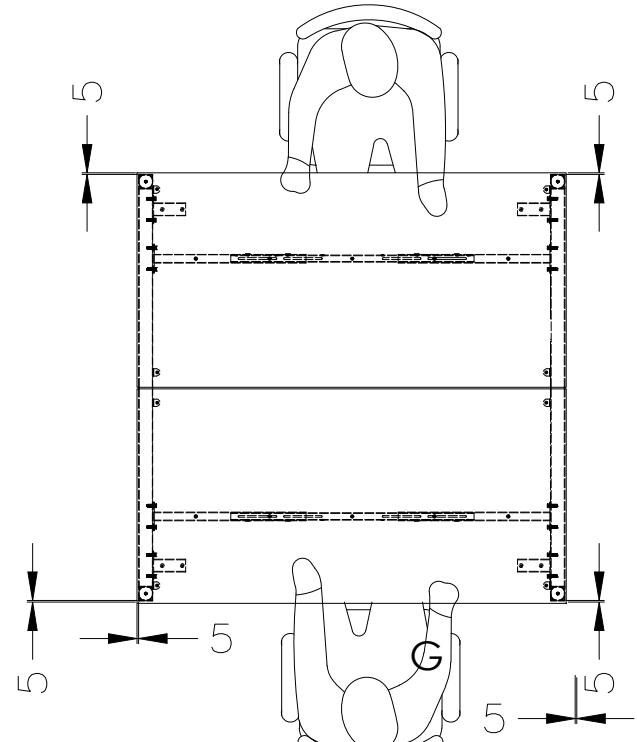
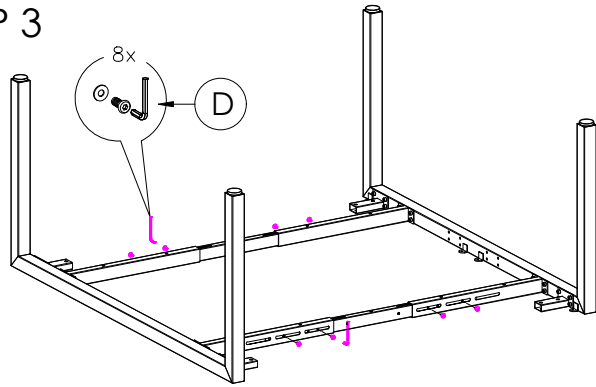
STEP 1



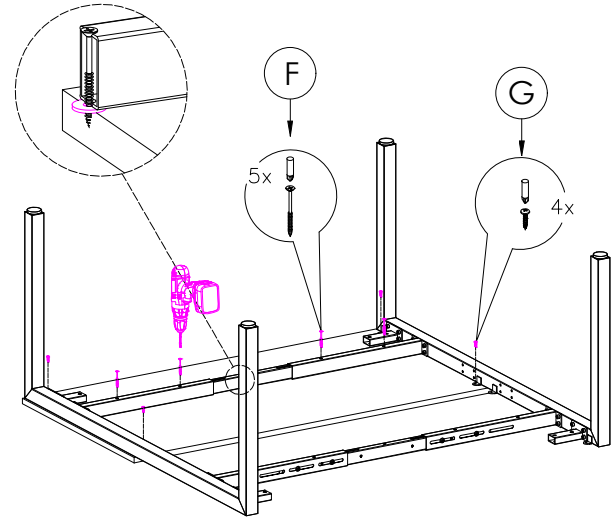
STEP 2



STEP 3



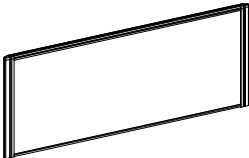

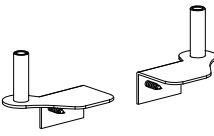


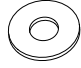
STEP 4



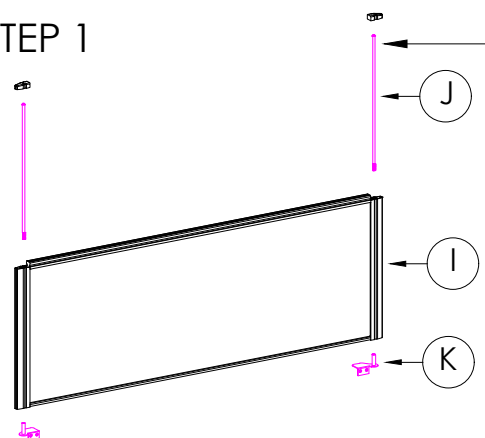
CAUTION:
HEAVY



2 PERSON HEAVY
ASSEMBLY

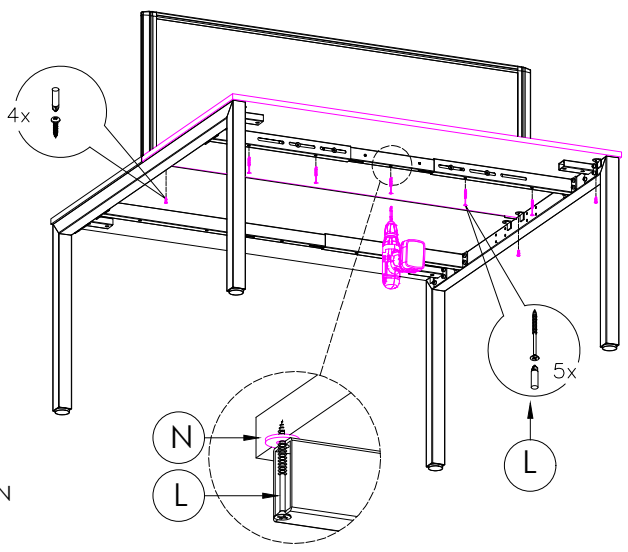
I	VARIOUS SIZES  S23 PARTITION	x1	J	 ROD PACKED INSIDE THE PARTITION	x2	
			K	S23-BR520SM NOTE: CAN USE S23-BR520TM OR S23-BR520CL BRACKETS  BRACKETS	x2	
				L	70mm  CHIPBOARD SCREW	x5
				M	25mm  CHIPBOARD SCREW	x4
N	 3mm SPACER	x1				

STEP 1



NOTE:
HAND TIGHTEN BOLT TO 70%

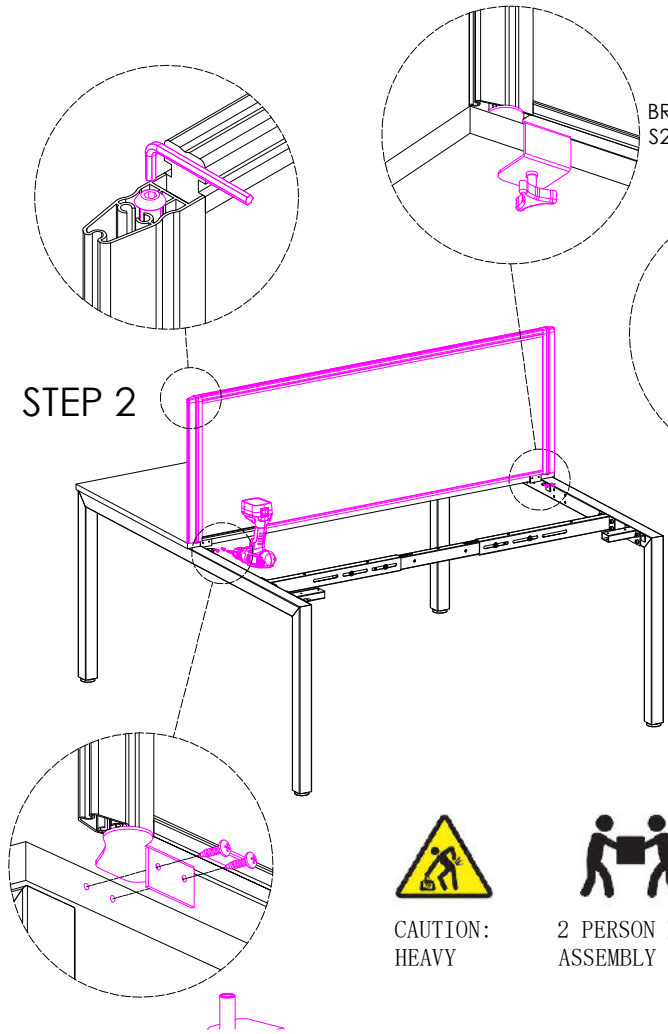
STEP 3



BRACKET OPTION
S23-BR520CL

NOTE:
TIGHTEN ROD 100%
AFTER BRACKET FITTED
TO DESK.

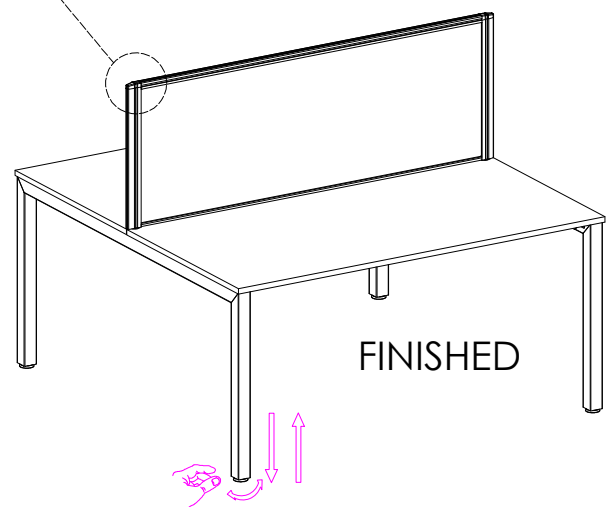
STEP 2



CAUTION:
HEAVY



2 PERSON HEAVY
ASSEMBLY



FINISHED