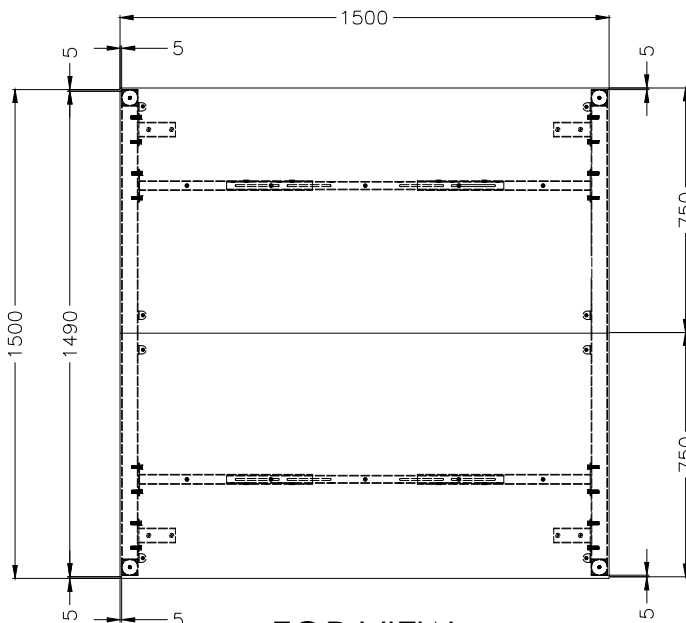
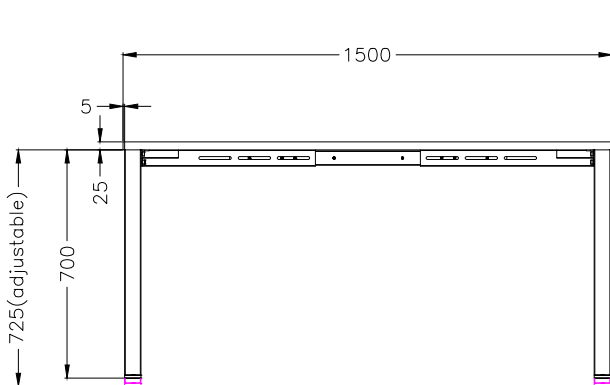


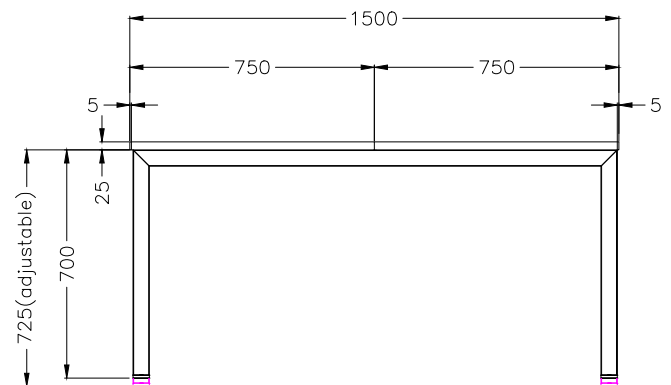
ISOMETRIC VIEW



TOP VIEW



FRONT VIEW



SIDE VIEW