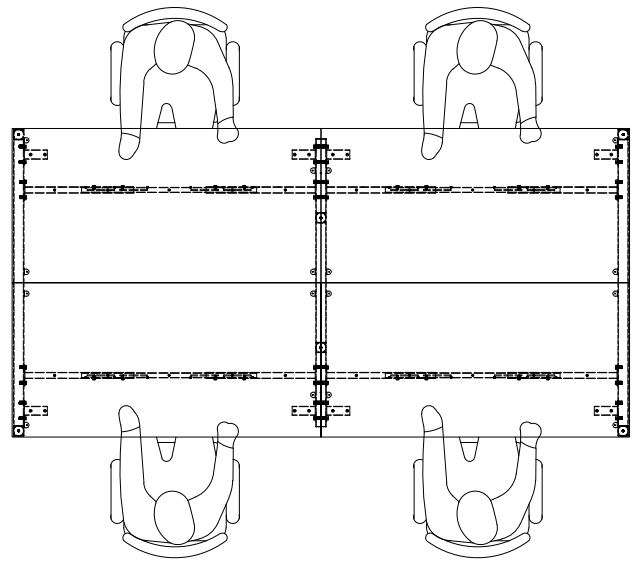
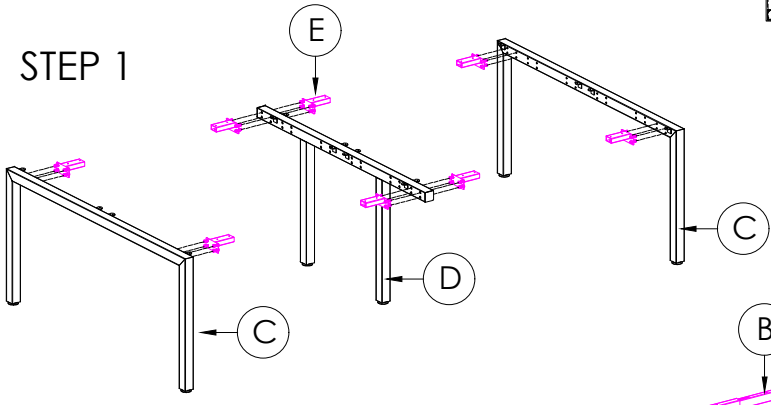


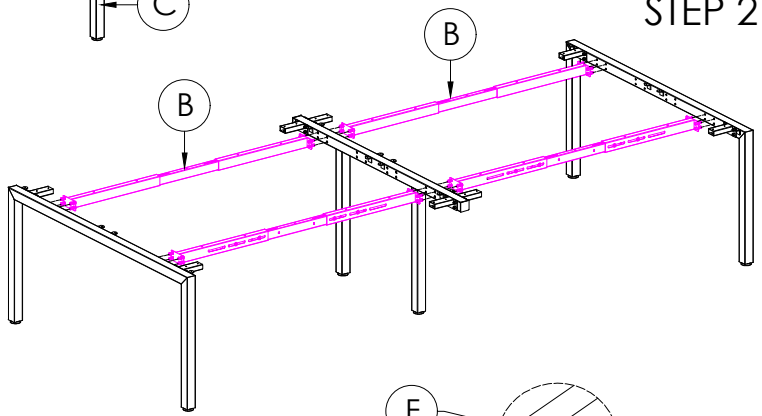
A		x4	C		x1	D		x1
B		x4	E		x8	F		x2
H	70mm 	x10	G		x16	I	20mm 	x8



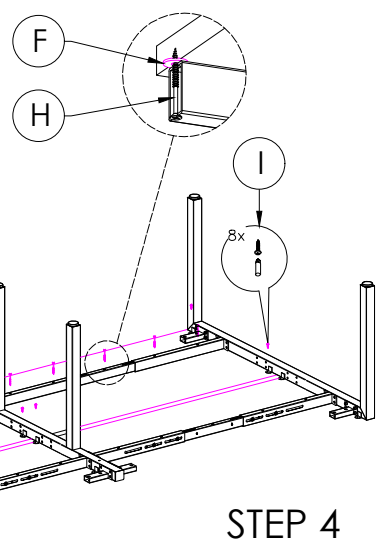
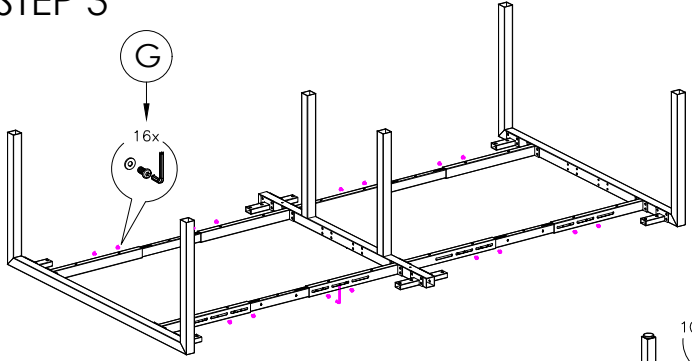
**STEP 1**



**STEP 2**



**STEP 3**




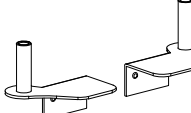

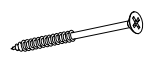


**STEP 4**

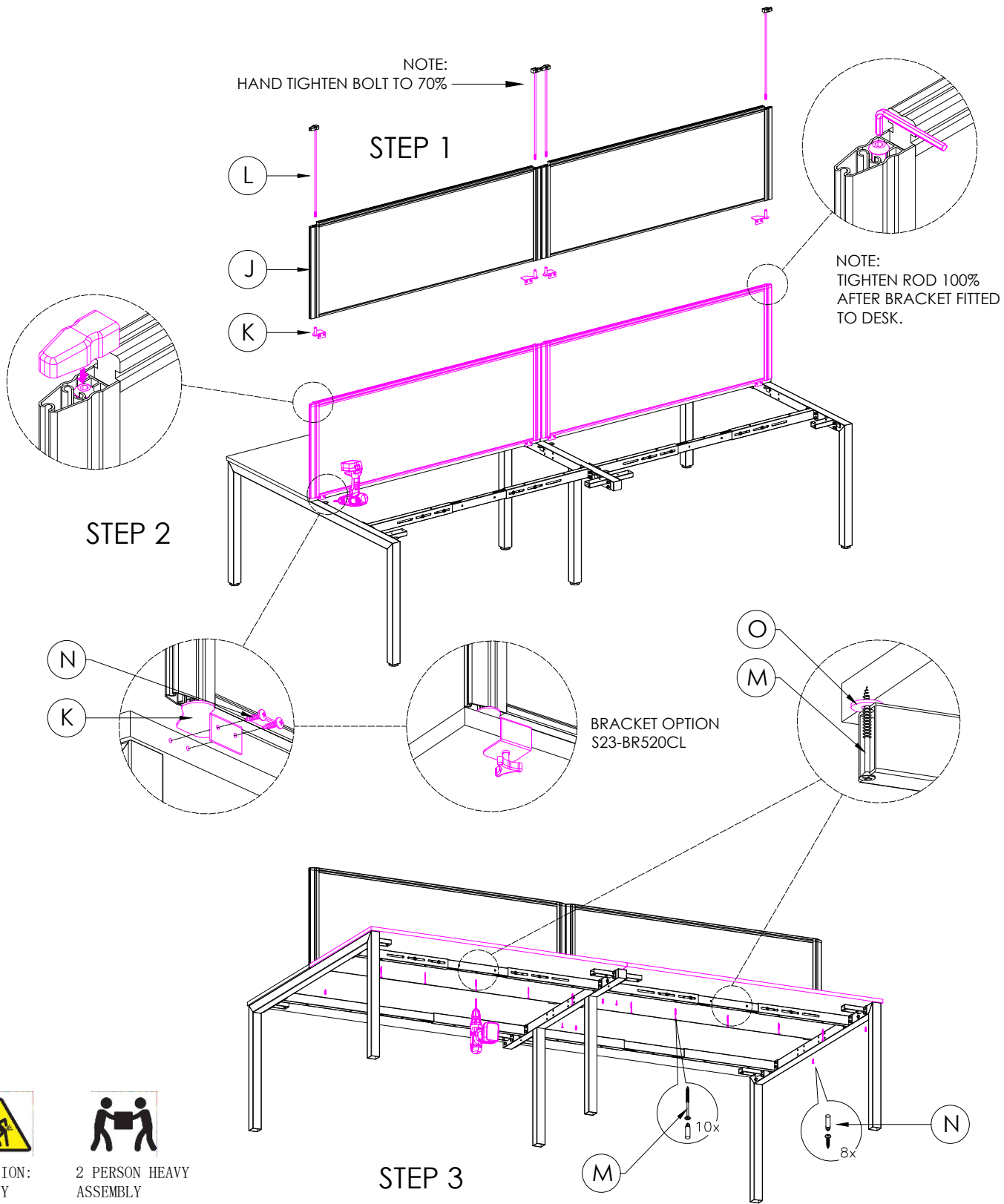
CAUTION: HEAVY  
 2 PERSON HEAVY ASSEMBLY

**Office FURNITURE**  
Brisbane

PRODUCT CODE:  
ST-IND157-4  
ASSEMBLY INSTRUCTION-PART 1  
ASSEMBLED SIZE:  
3000L x 1500D x 700H

REMARKS:  
ST-INDS + ST-LE15 + ST-AB1218 REV2  
Office FURNITURE  
Brisbane

J	VARIOUS SIZES  S23 PARTITION	x2	K	S23-BR520SM NOTE: CAN USE S23-BR520TM OR S23-BR520CL BRACKETS	 BRACKETS	x2	L	 ROD PACKED INSIDE THE PARTITION	x6
M	70mm  CHIPBOARD SCREW	x10	N	20mm  CHIPBOARD SCREW	x8	O	 3mm SPACER	x2	



CAUTION:  
HEAVY



2 PERSON HEAVY  
ASSEMBLY

Office FURNITURE  
Brisbane

PRODUCT CODE:  
SCREEN PARTITION (S23)  
ASSEMBLY INSTRUCTION-PART 2

ASSEMBLED SIZE:  
VARIOUS SIZES

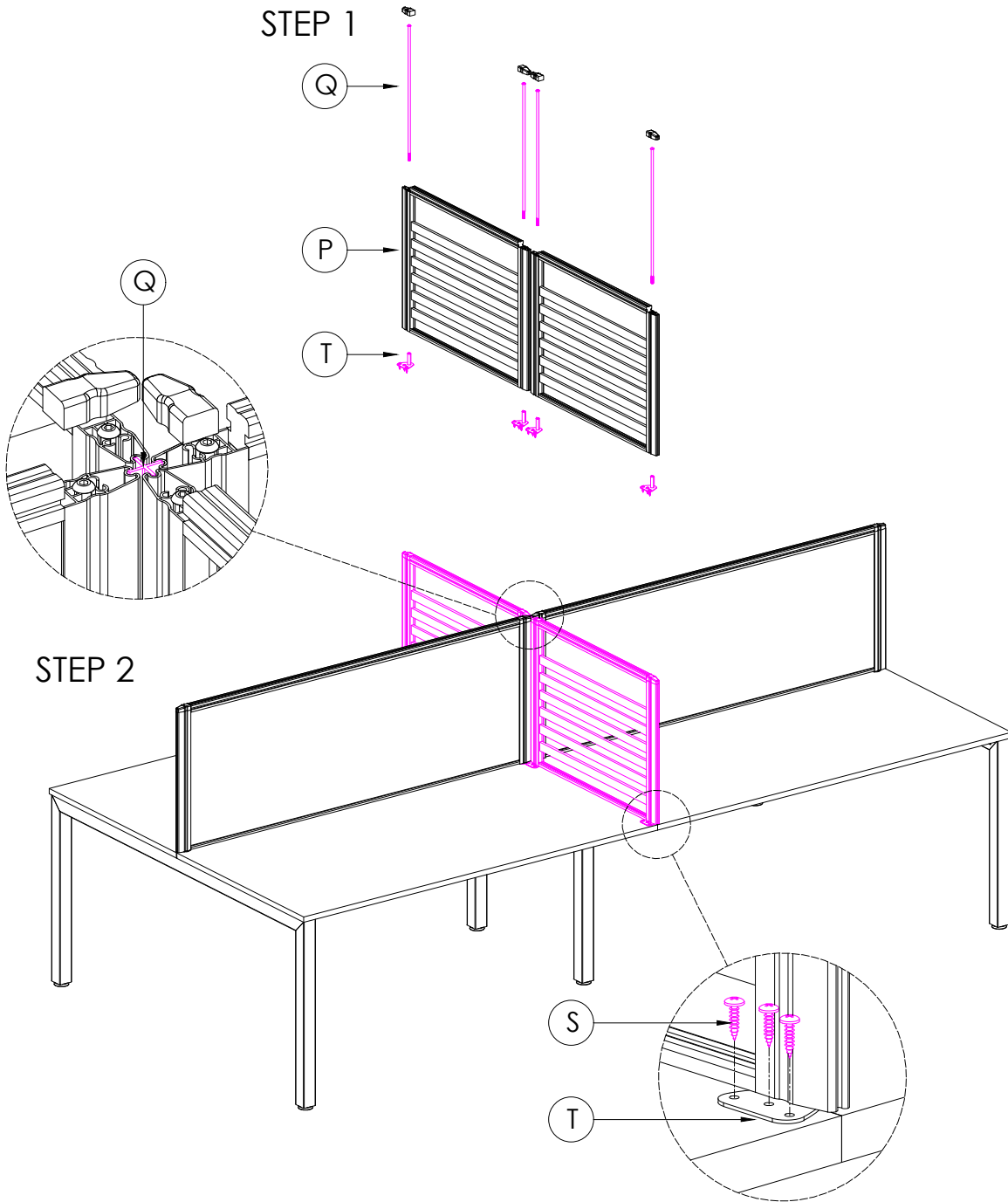
REMARKS:

-

REV2

Office FURNITURE  
Brisbane

P	GLASS / FABRIC	x2	Q	ROD PACKED INSIDE THE PARTITION	x6	R	JOINING STRIP	x1
	SCREEN							
S	20mm	x12	T	SL-BR520TM BRACKET	x4			
	CHIPBOARD SCREW							



CAUTION:  
HEAVY



2 PERSON HEAVY  
ASSEMBLY

Office FURNITURE  
Brisbane

PRODUCT CODE:  
SCREEN PARTITION  
ASSEMBLY INSTRUCTION-PART 3

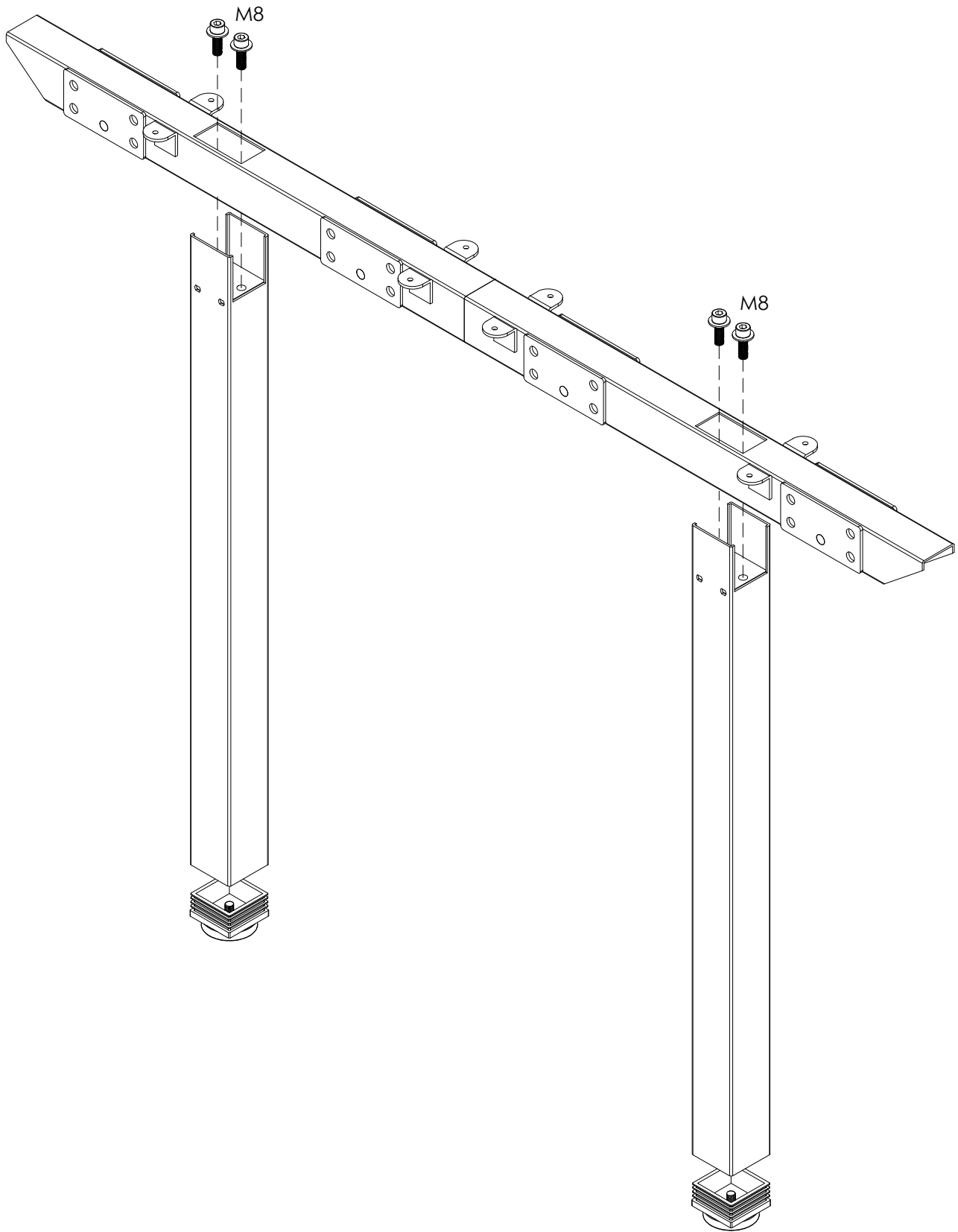
ASSEMBLED SIZE:  
VARIOUS SIZES

REMARKS:

-

REV2

Office FURNITURE  
Brisbane



Office FURNITURE  
Brisbane

PRODUCT CODE:  
ST-INDS-CKD V1.0

ASSEMBLED SIZE:  
-

REMARKS:  
Assembly

Office FURNITURE  
Brisbane