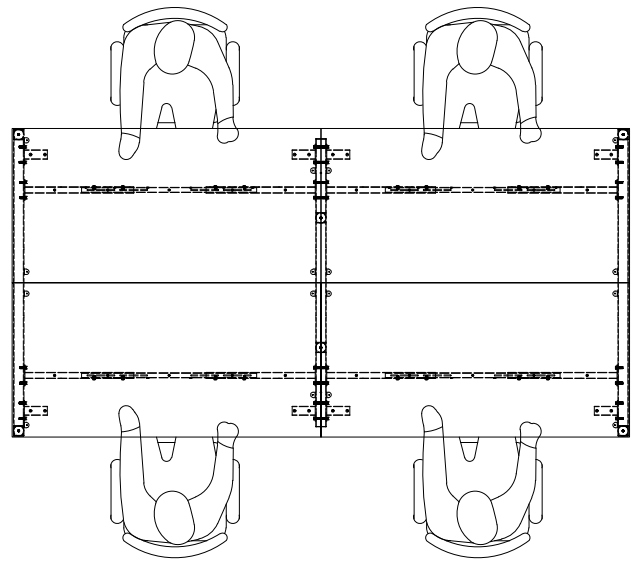
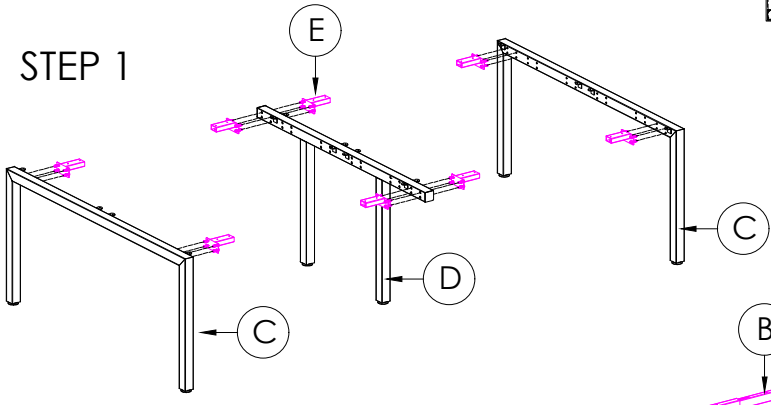


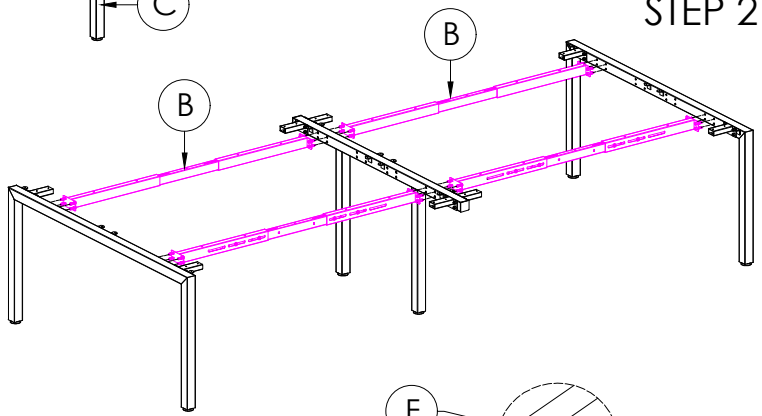
A		x4	C		x1	D		x1
B		x4						
E	100mm x 50mm 	x8	F		x2	G	M6 x 20mm 	x16
H	70mm 	x10						
I	20mm 	x8						



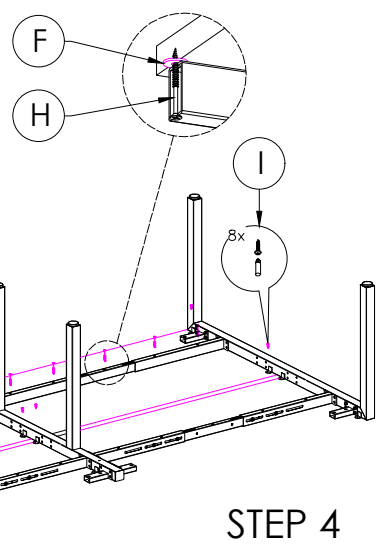
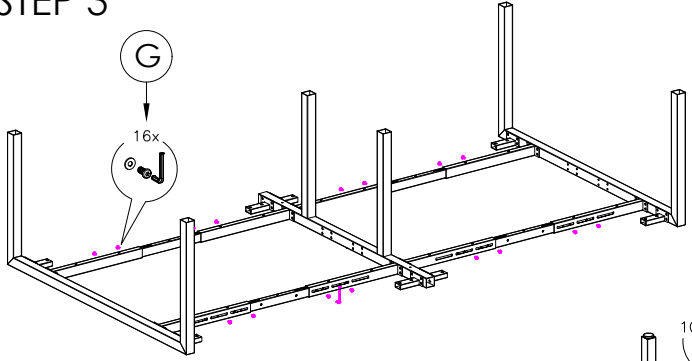
STEP 1



STEP 2



STEP 3




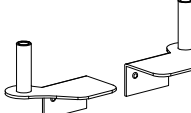

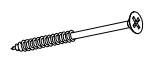


STEP 4

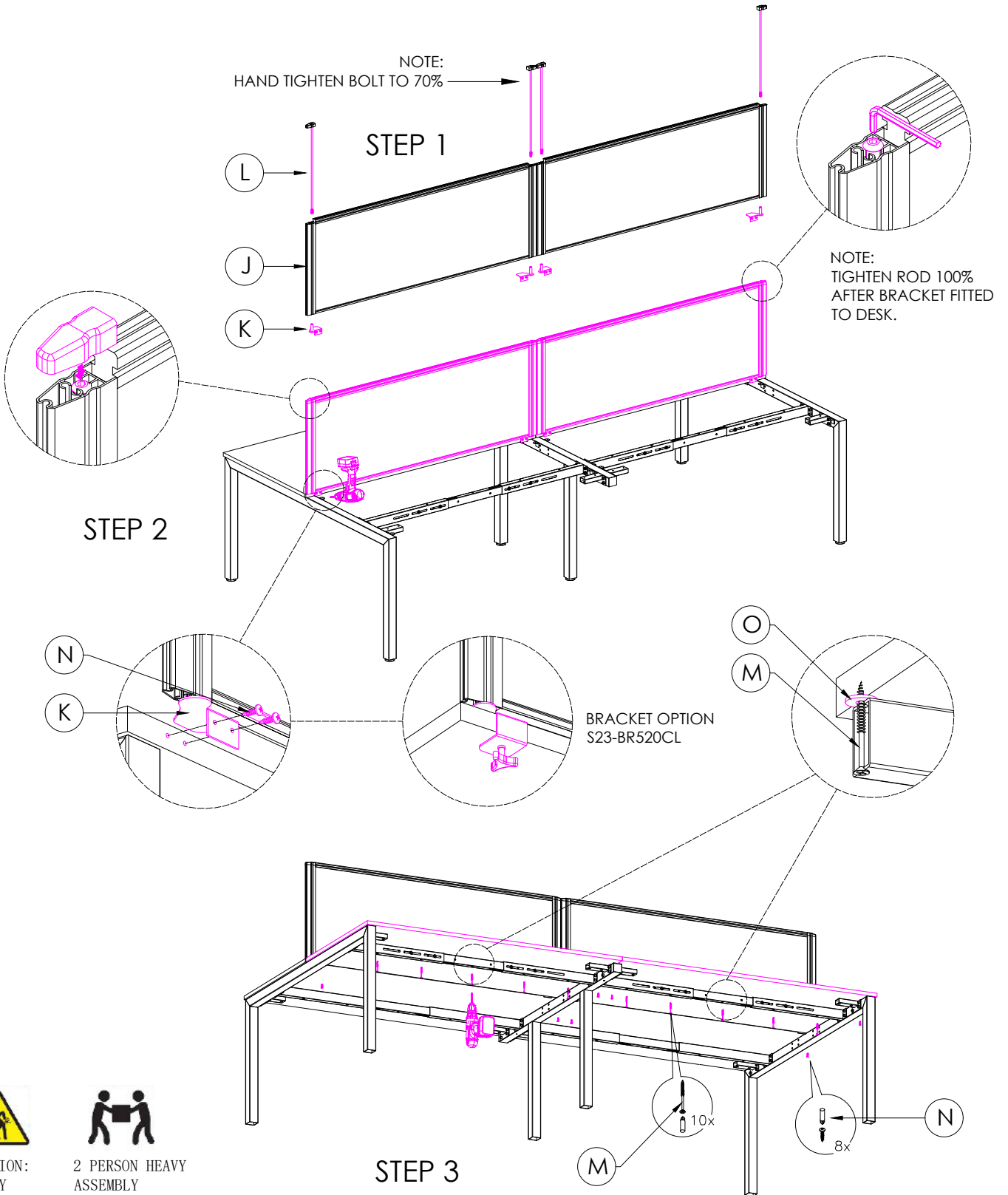


CAUTION:
HEAVY

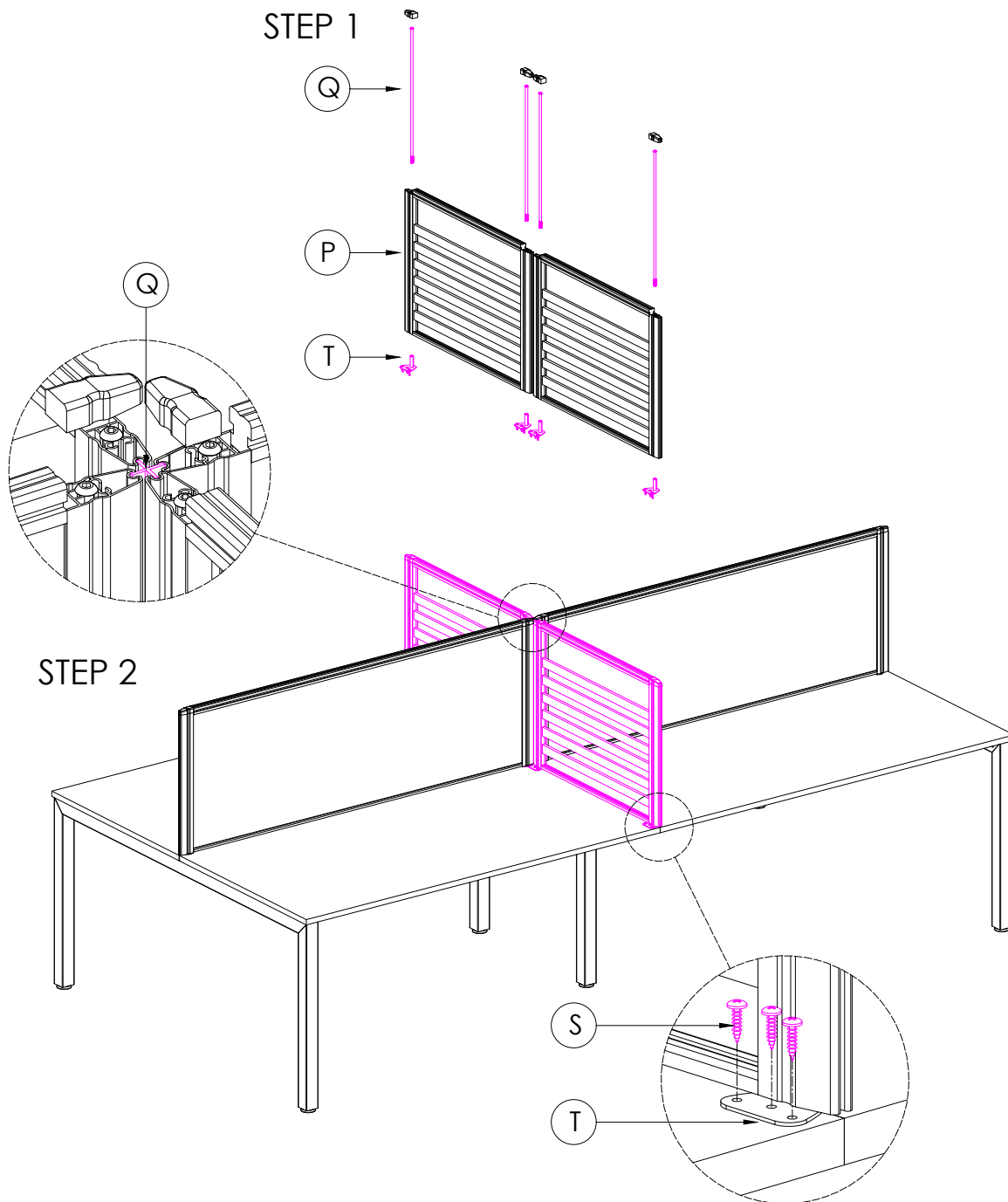


2 PERSON HEAVY
ASSEMBLY

J	VARIOUS SIZES  S23 PARTITION	x2	K	S23-BR520SM NOTE: CAN USE S23-BR520TM OR S23-BR520CL BRACKETS	 BRACKETS	x2	L	 ROD PACKED INSIDE THE PARTITION	x6
M	70mm  CHIPBOARD SCREW	x10	N	20mm  CHIPBOARD SCREW	x8	O	 3mm SPACER	x2	



P	GLASS / FABRIC	x2	Q	ROD PACKED INSIDE THE PARTITION	x6	R	JOINING STRIP	x1
	SCREEN							
S	20mm	x12	T	SL-BR520TM BRACKET	x4			



CAUTION:
HEAVY



2 PERSON HEAVY
ASSEMBLY