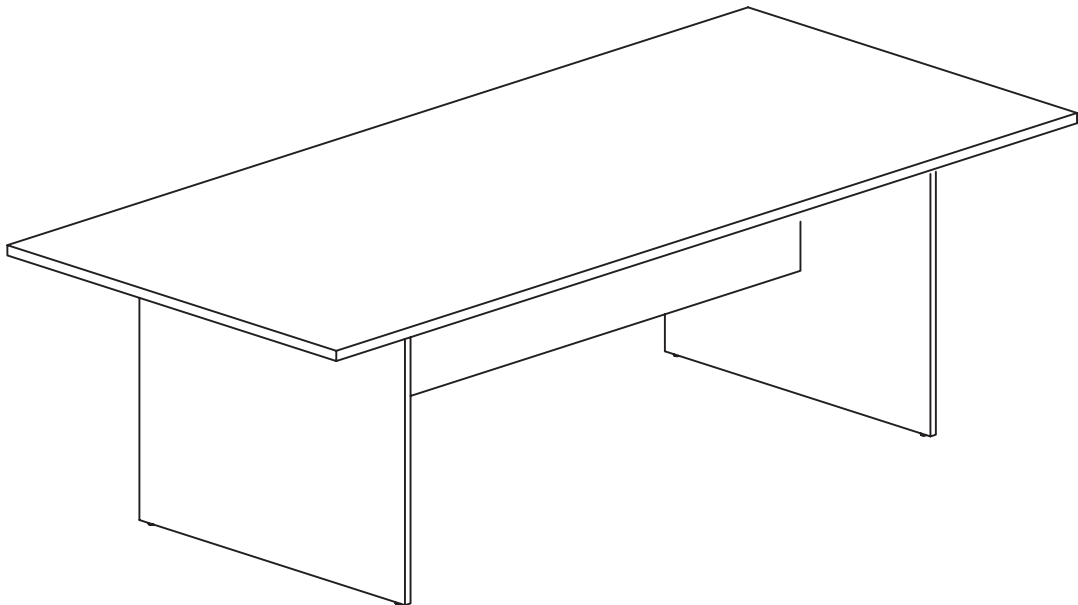
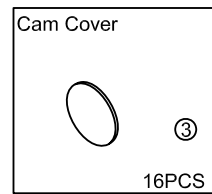
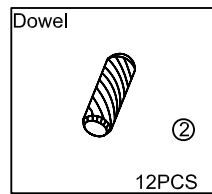
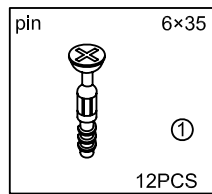
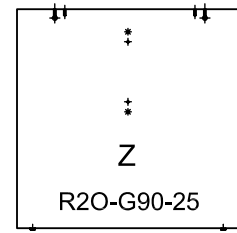
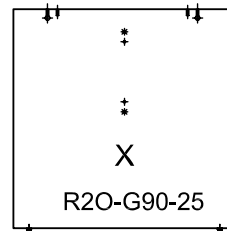
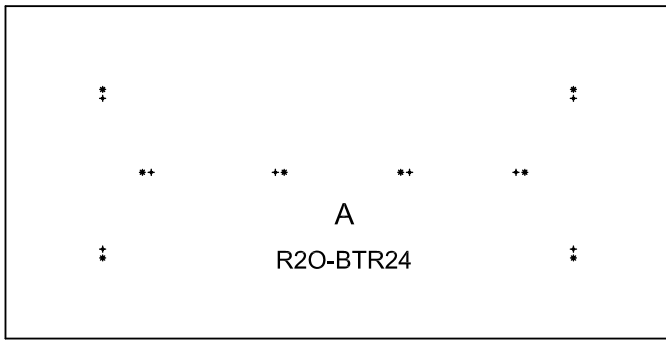


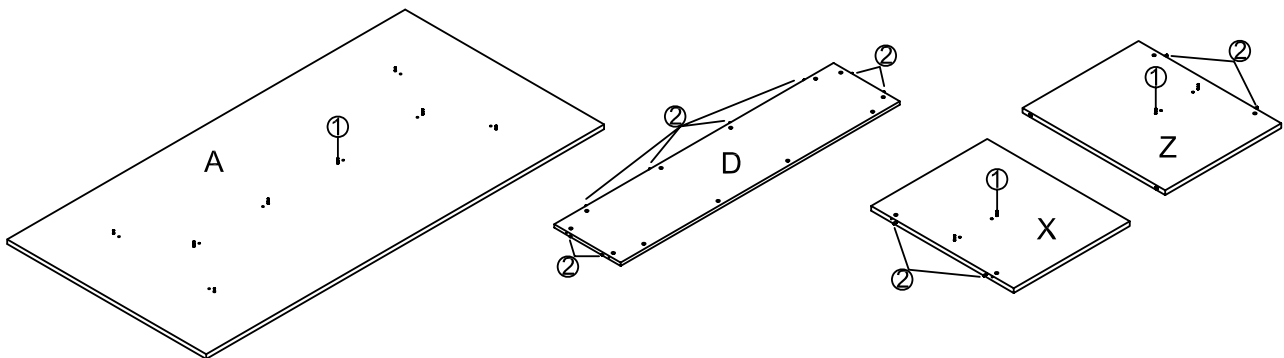
READY2GO

ASSEMBLY INSTRUCTIONS
OFFICE Boardroom Tables
R20-TBR24





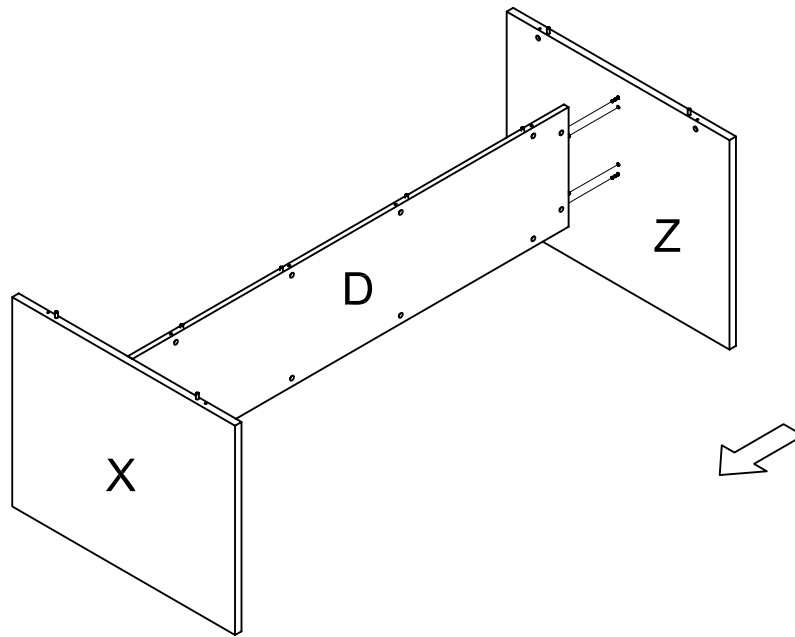
1



Preparation for top A, left side panel X, right side panel Z and back panel D.

1. Insert cam bolts ① into top A, X and Z as illustrated above.
2. Insert dowel pins ② into left side panel X, Z and D as illustrated above.

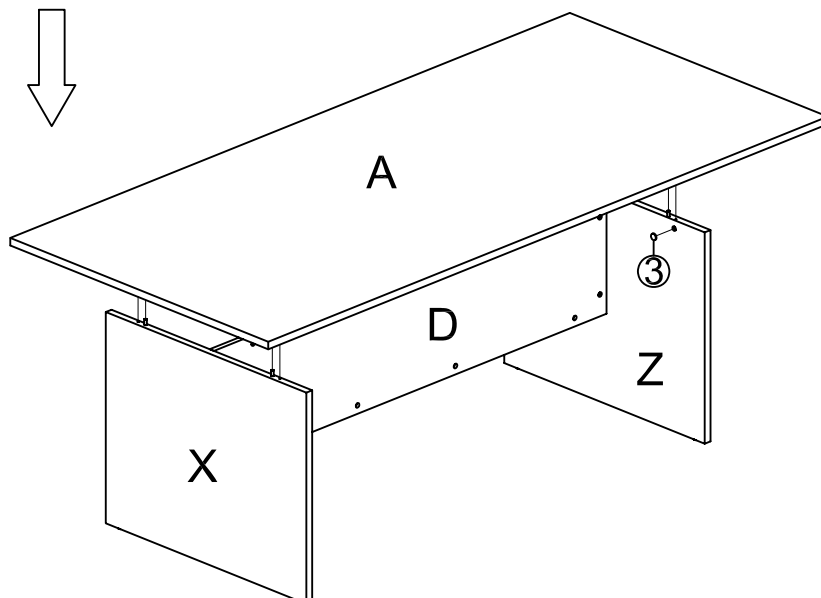
2



Desk left side panel X, right side panel Z and back panel D assembly.

1. Insert cam bolts ① on panels X and Z into cam on panel D and tighten in a clockwise direction as illustrated above.

3

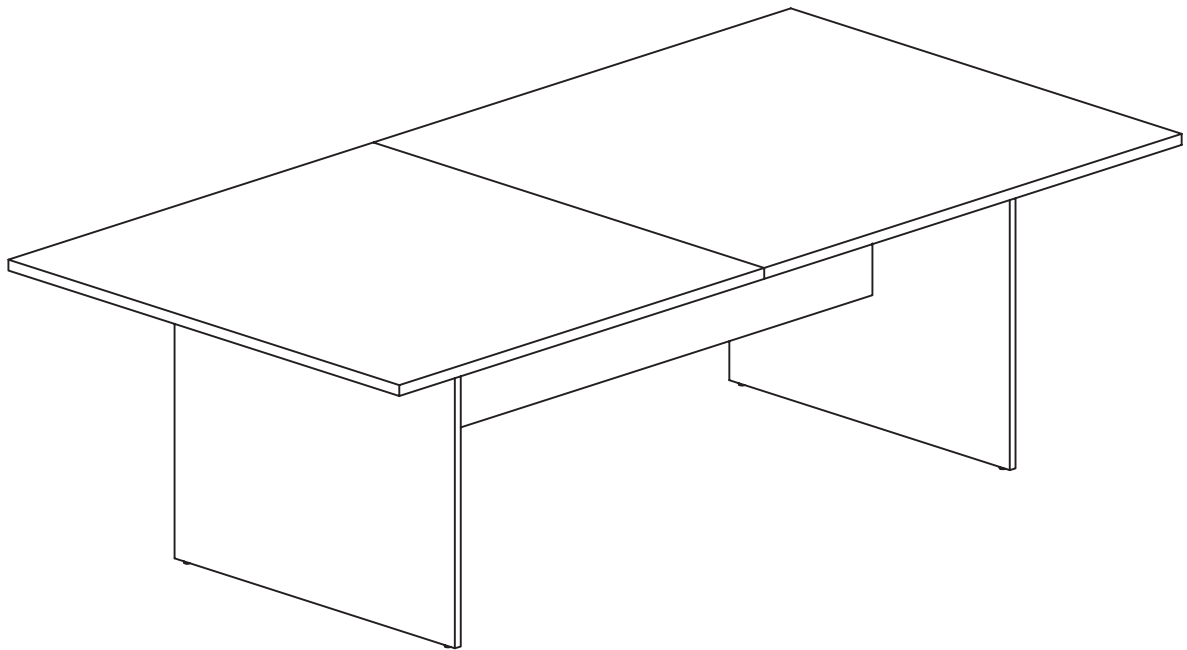


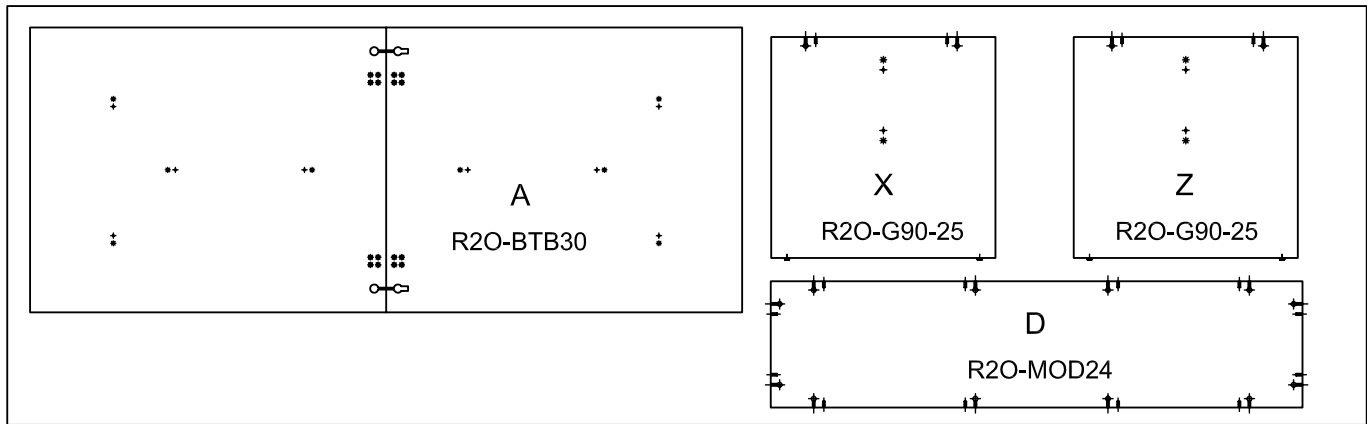
Meeting table top A assembly.








1. Insert cam bolts ① on panel A into cams on panels D, X and Z and tighten in a clockwise direction as illustrated above.
2. Cover the cam covers ③ on the top of all the cams.

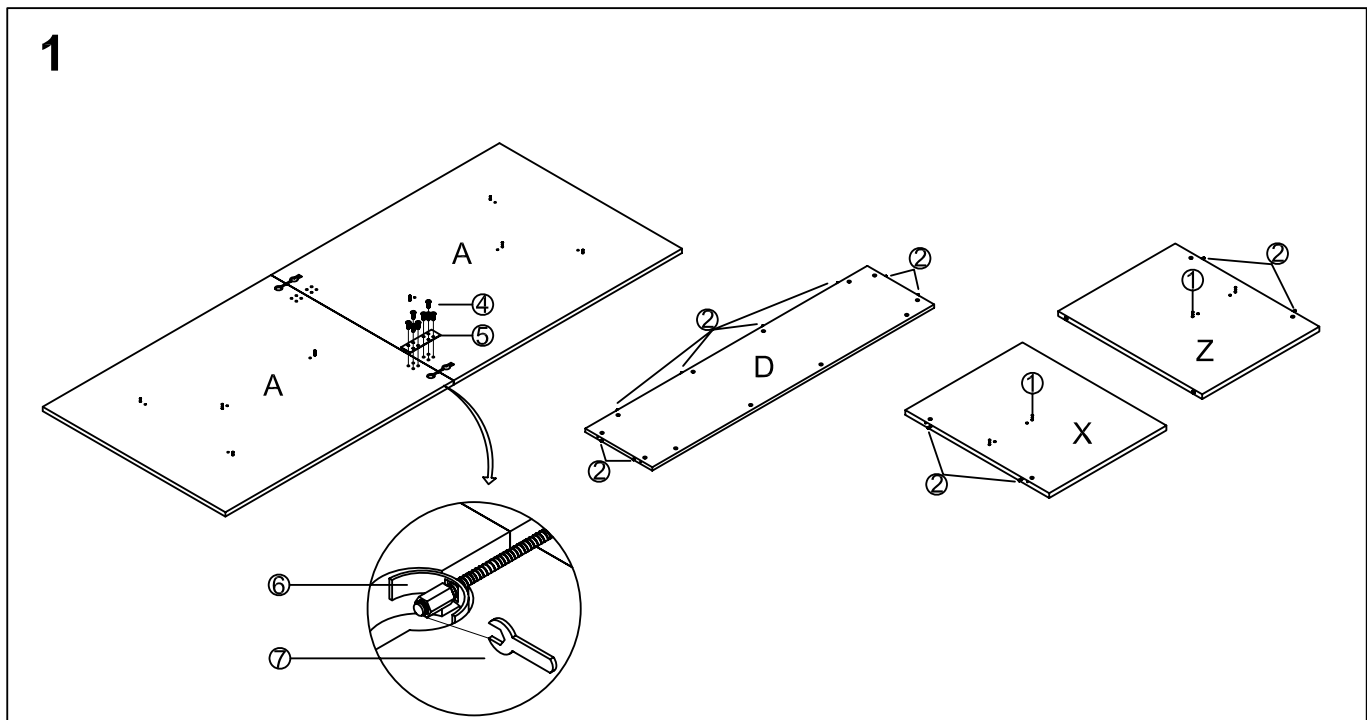
READY2GO

ASSEMBLY INSTRUCTIONS
OFFICE Boardroom Tables
R20-TBR30





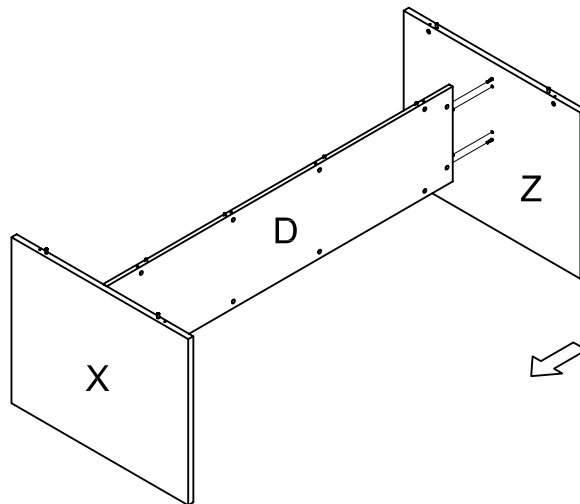
 pin 6×35 ① 12PCS	 Dowel ② 12PCS	 Cam Cover ③ 16PCS	 Screw 6×12 ④ 16PCS	 Connector 200×60 ⑤ 2PCS	 Connector 6×100 ⑥ 2PCS	 Spanner ⑦ 1PCS
---	--	--	---	---	---	---



Preparation for top A, left side panel X, right side panel Z and back panel D.

1. Insert cam bolts ① into top A, X and Z as illustrated above.
2. Insert dowel pins ② into left side panel X, Z and D as illustrated above.
3. Joining two top panels A with ④ ⑤ ⑥ as illustrated above.

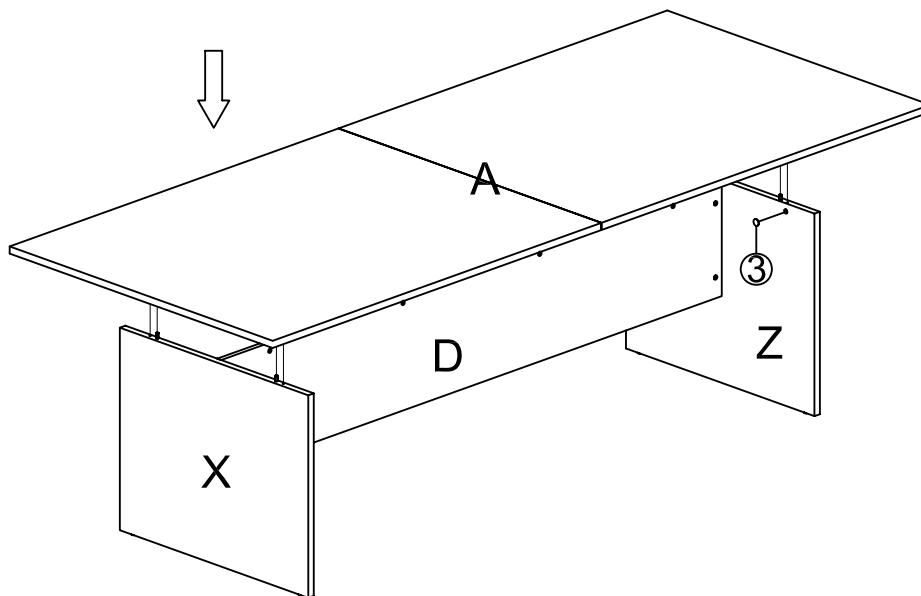
2



Desk left side panel X, right side panel Z, and back panel D assembly.

1. Insert cam bolts ① on panels X and Z into cam on panel D and tighten in a clockwise direction as illustrated above.

3



Meeting table top A assembly.

1. Insert cam bolts ① on panel A into cams on panels D, X and Z and tighten in a clockwise direction as illustrated above.
2. Cover the cam covers ③ on the top of all the cams.