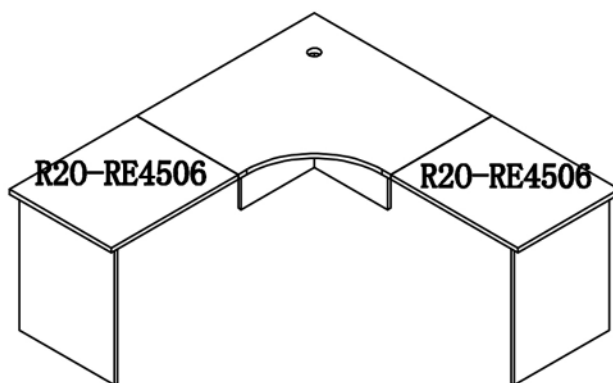
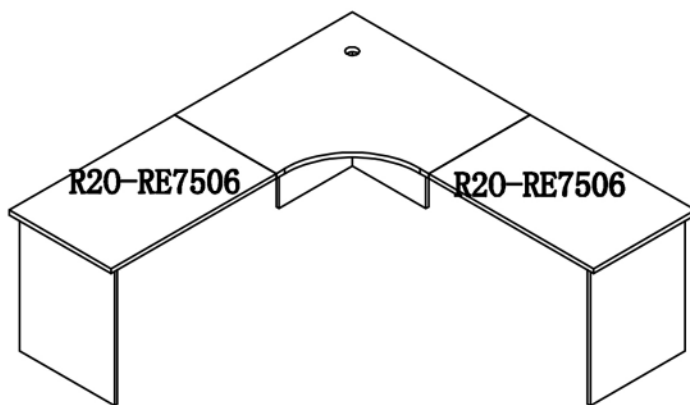


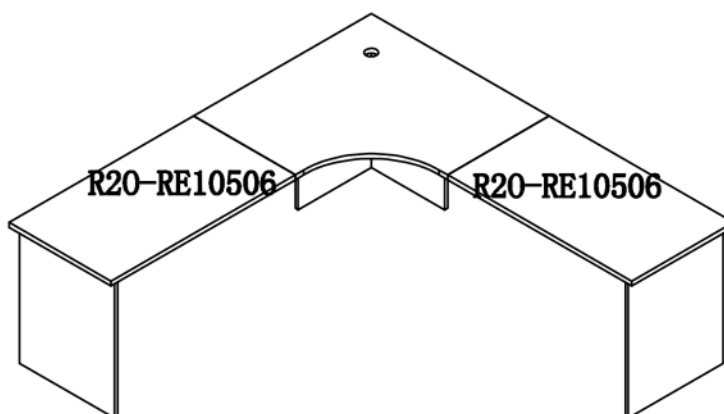
The First Assembly
Method:Page 1-3



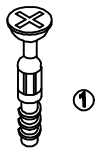
The Second Assembly
Method:Page 4-6



The Third Assembly
Method:Page 7-9



pin 6x35



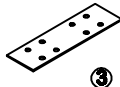
22 PCS

Dowel 8x30



26 PCS

CONNECTOR



2 PCS

Cam Cover



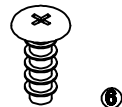
26 PCS

SCREW 6x12

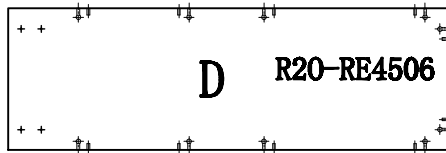
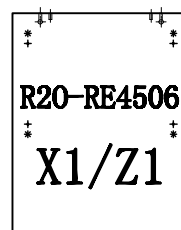
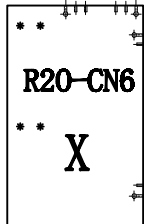
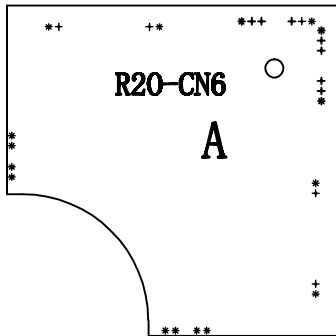


16PCS

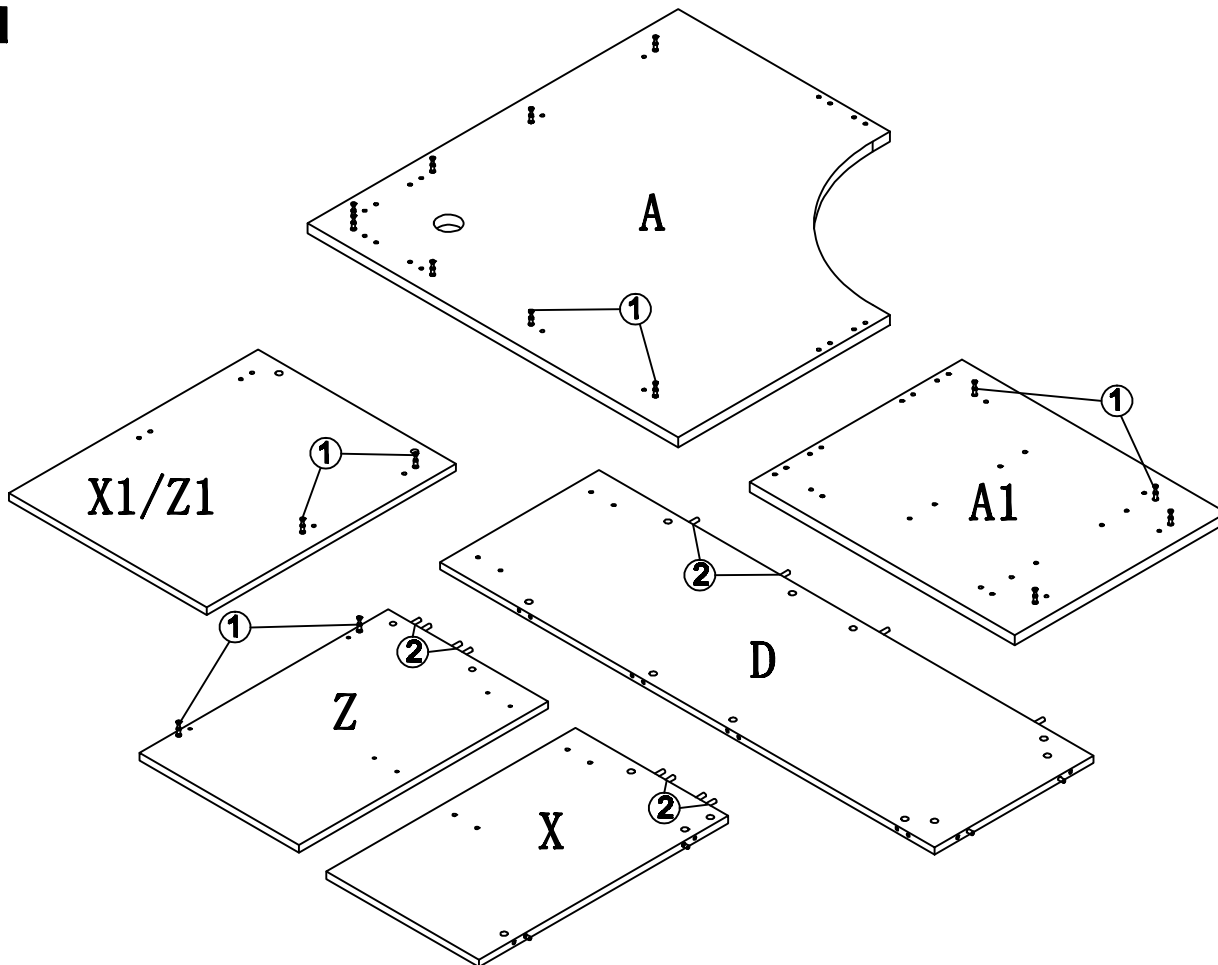
SCREW 6x26



8 PCS

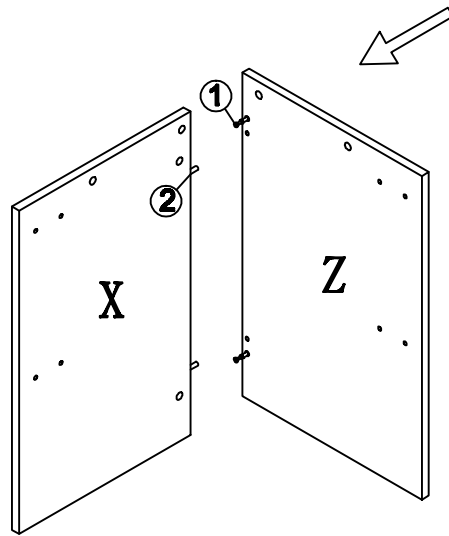


1

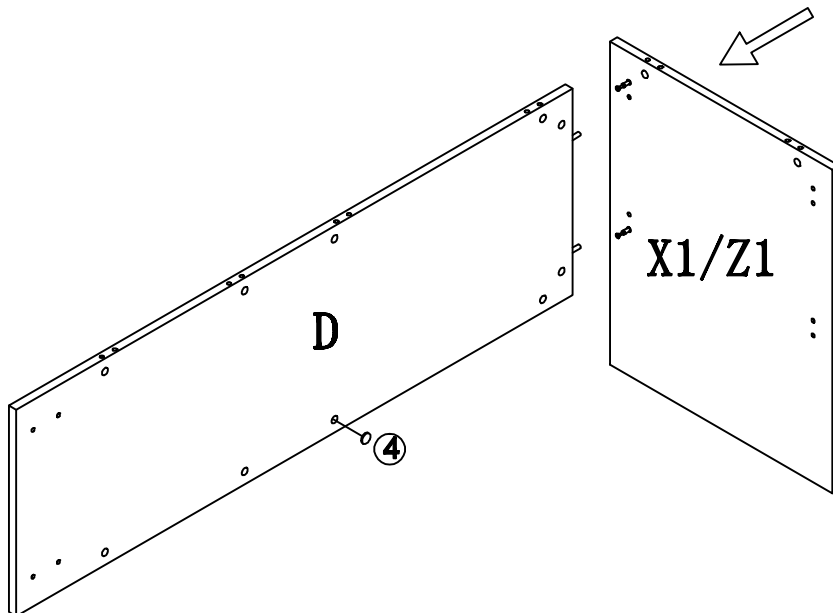


1

2

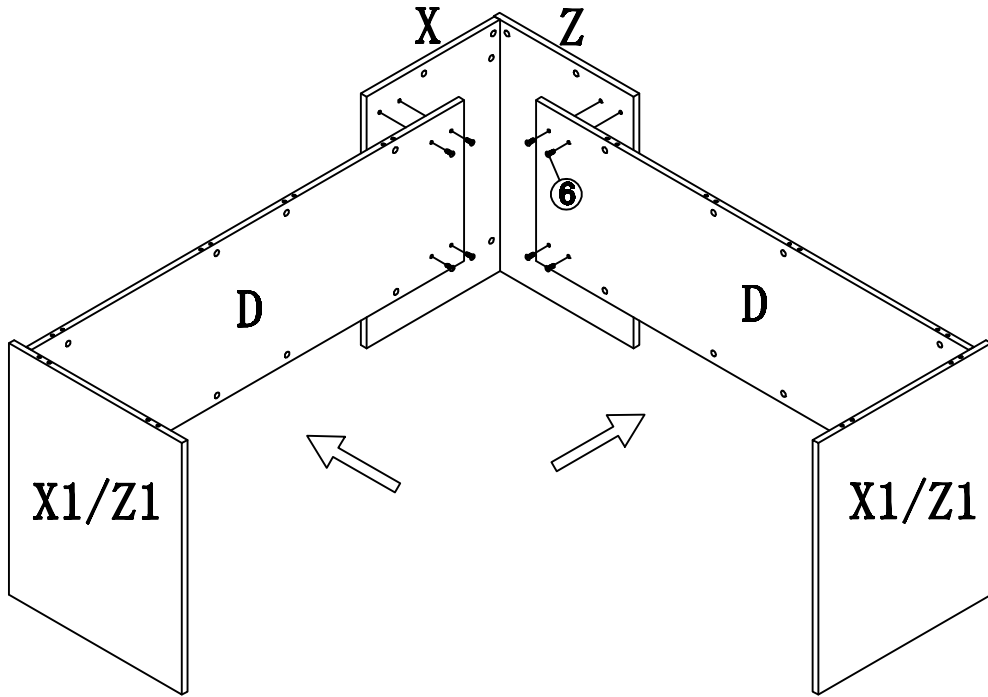


3

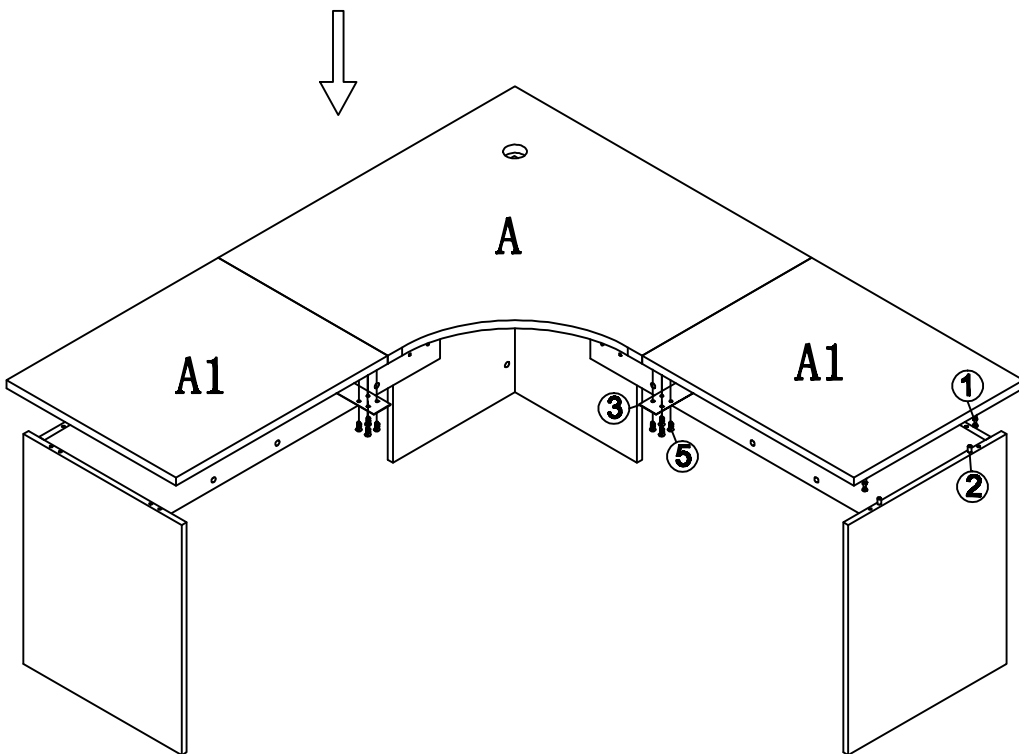


2



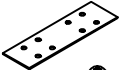



4

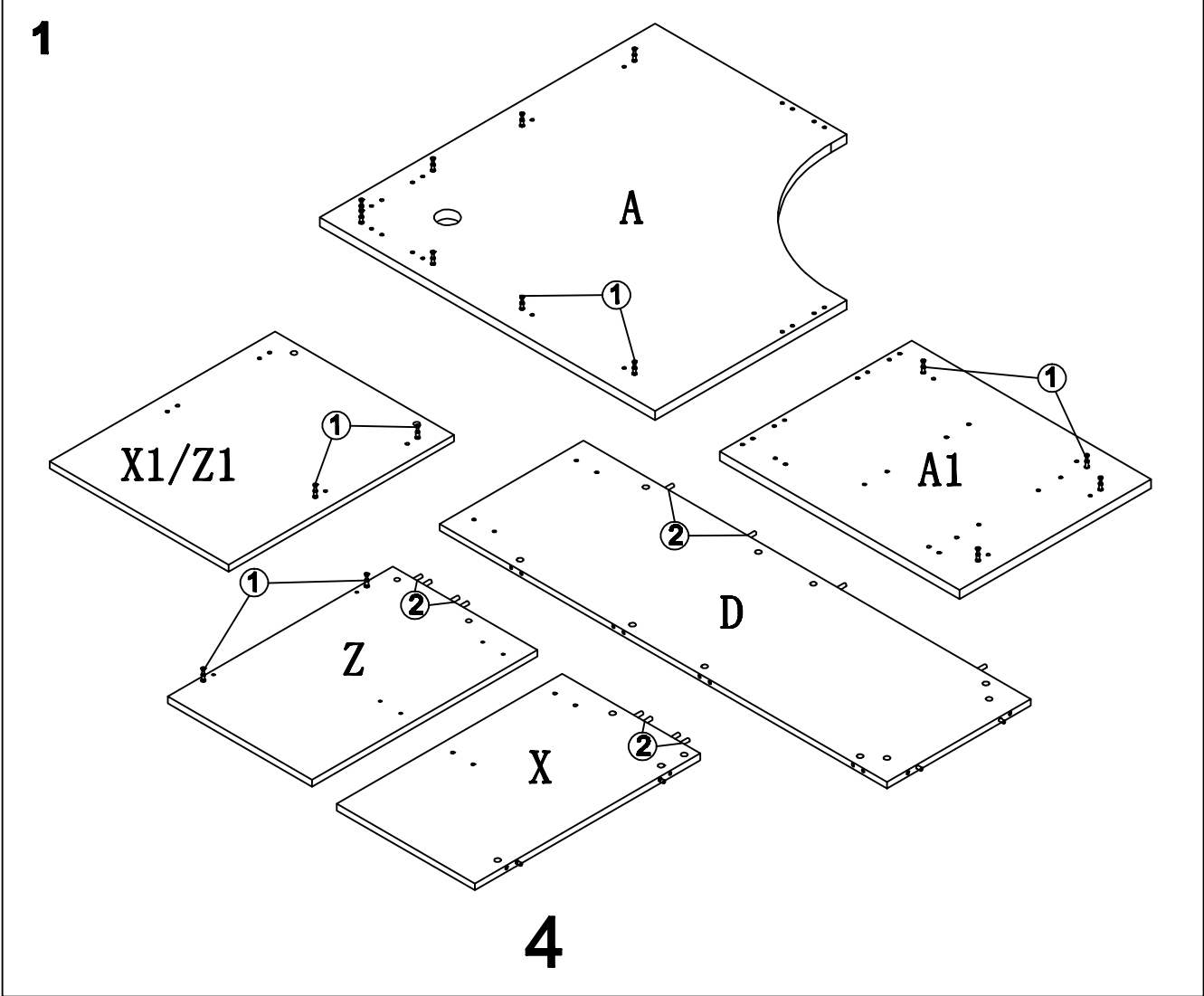
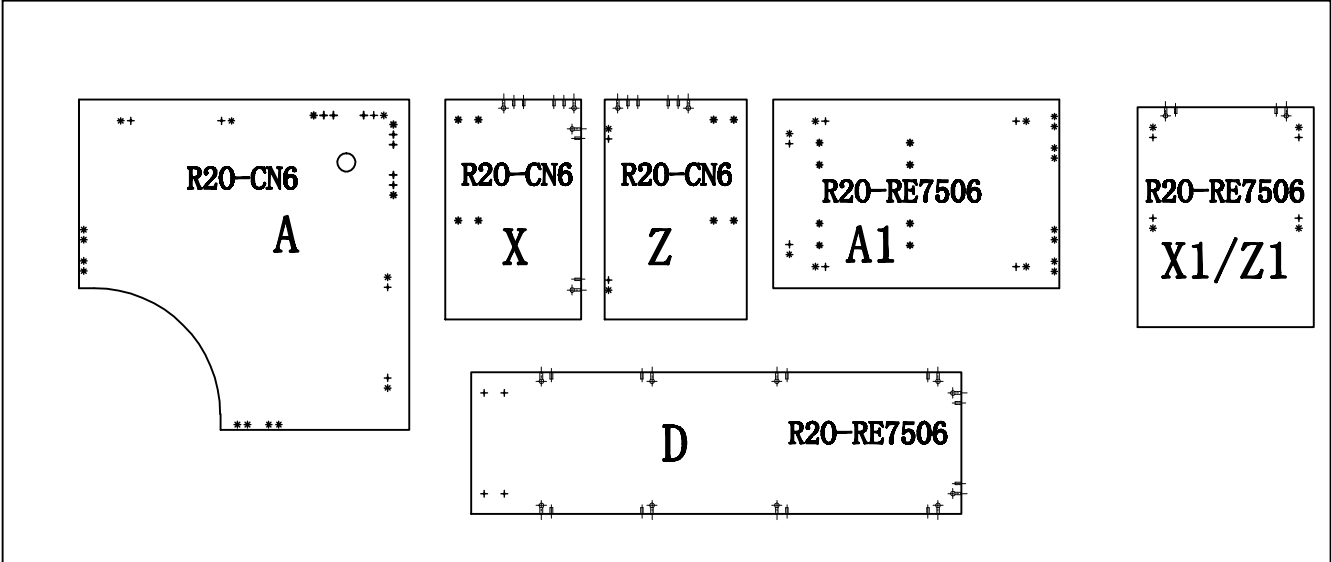


5

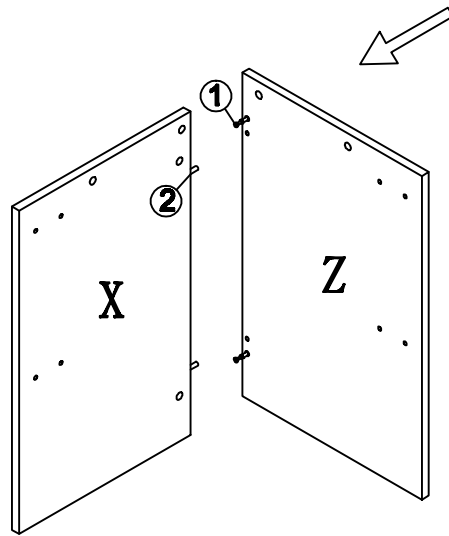


3

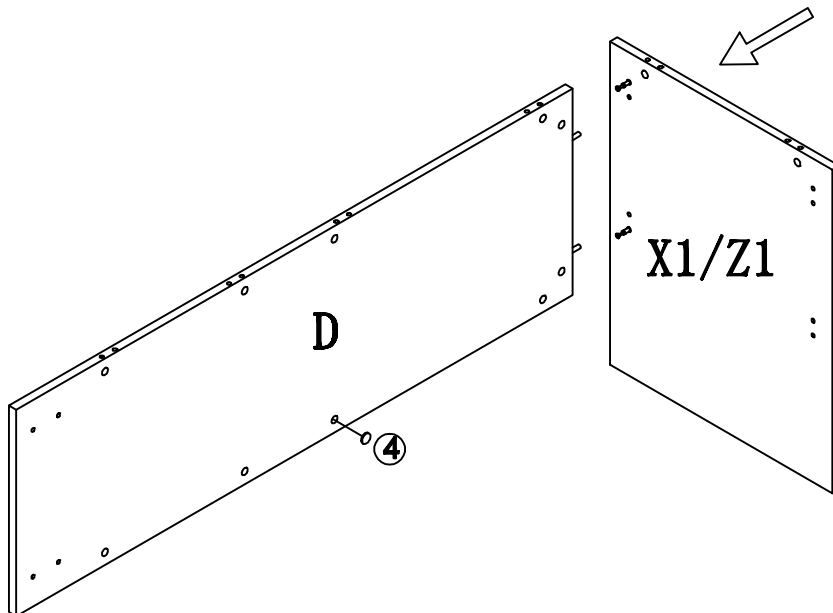
<p>pin 6×35</p>  <p>①</p> <p>22 PCS</p>	<p>Dowel 8×30</p>  <p>②</p> <p>26 PCS</p>	<p>CONNECTOR</p>  <p>③</p> <p>2 PCS</p>	<p>Cam Cover</p>  <p>④</p> <p>26 PCS</p>	<p>SCREW 6×12</p>  <p>⑤</p> <p>16PCS</p>	<p>SCREW 6×26</p>  <p>⑥</p> <p>8 PCS</p>
--	--	--	---	---	---



2

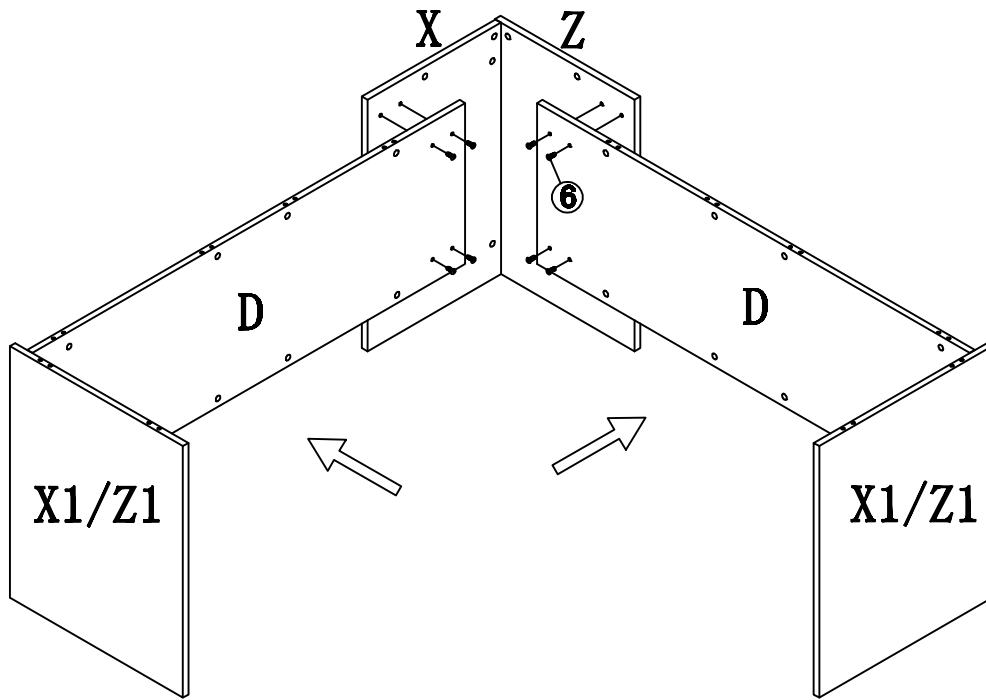


3

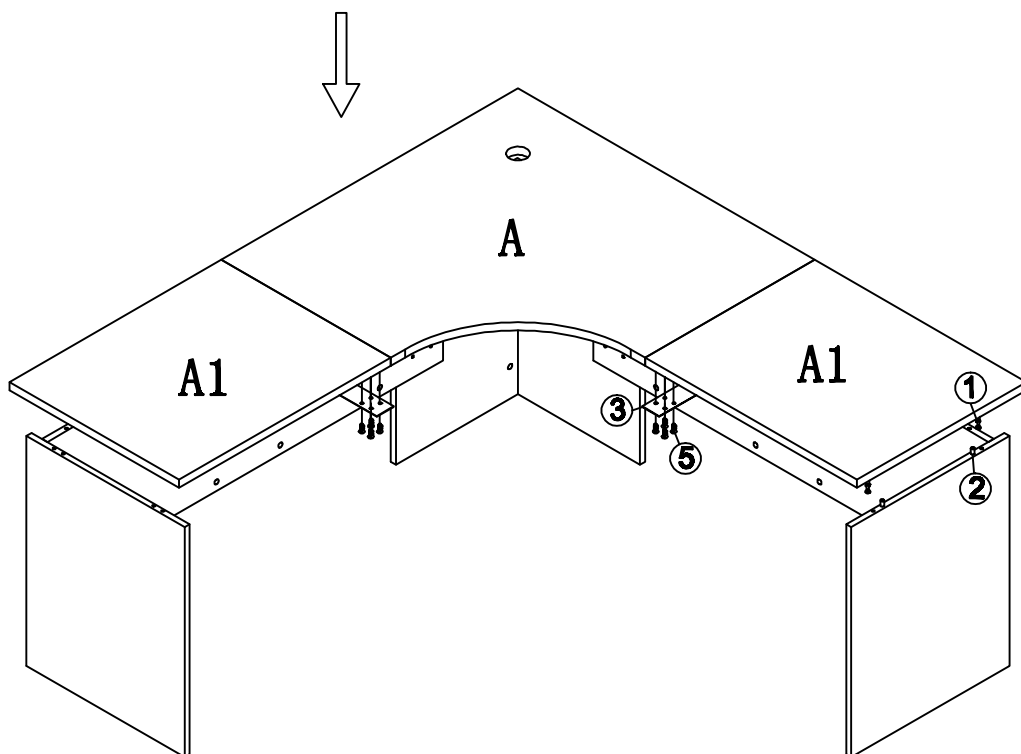


5

4

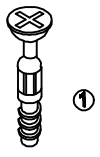


5



6

pin 6x35



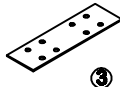
22 PCS

Dowel 8x30



26 PCS

CONNECTOR



2 PCS

Cam Cover



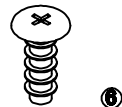
26 PCS

SCREW 6x12

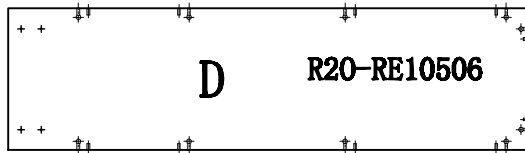
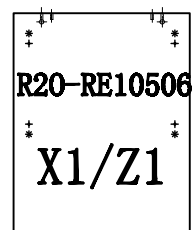
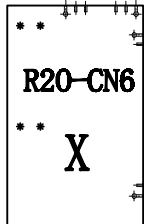
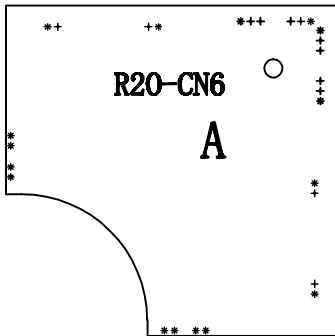


16PCS

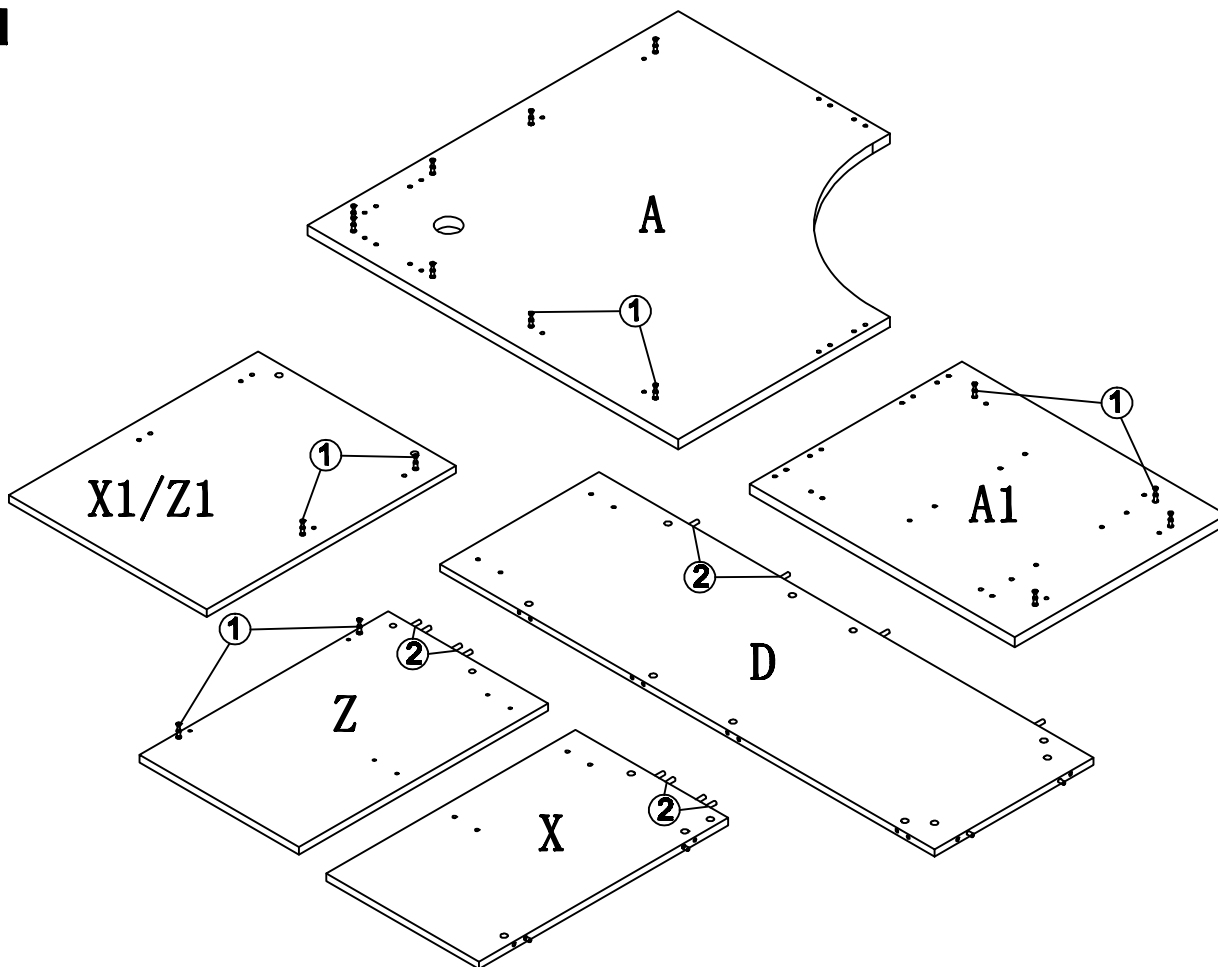
SCREW 6x26



8 PCS

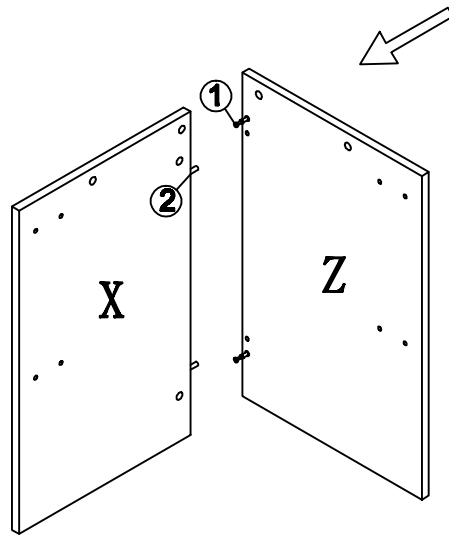


1

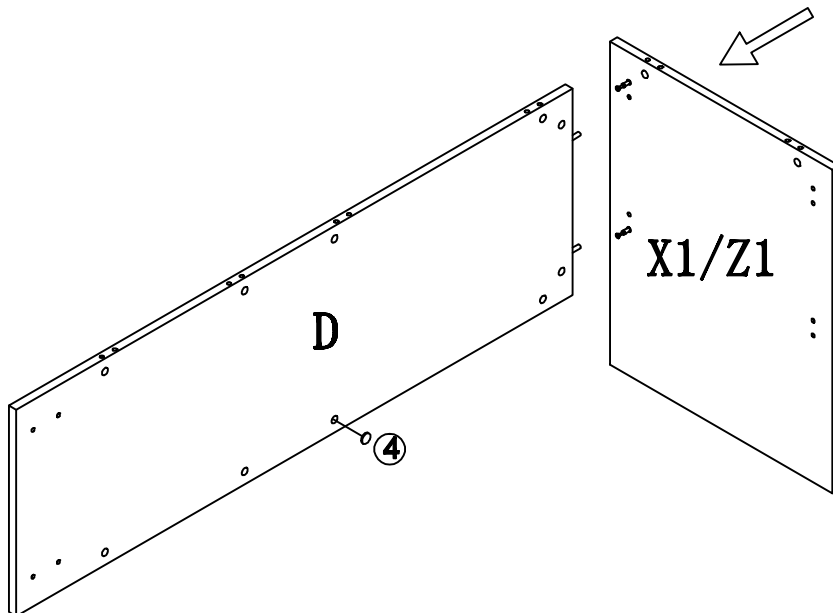


7

2

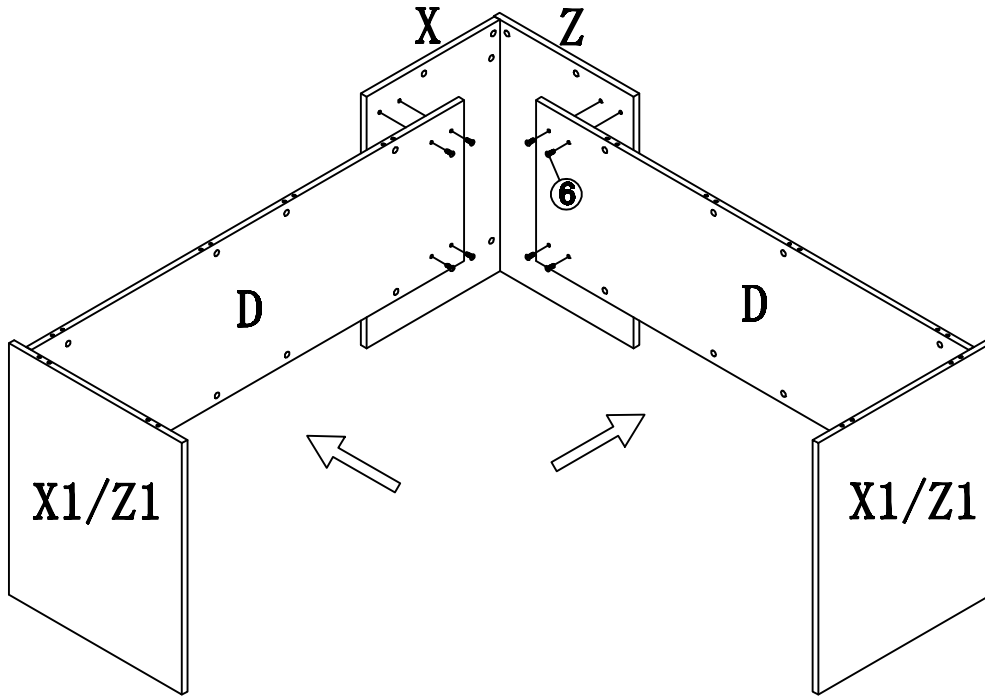


3

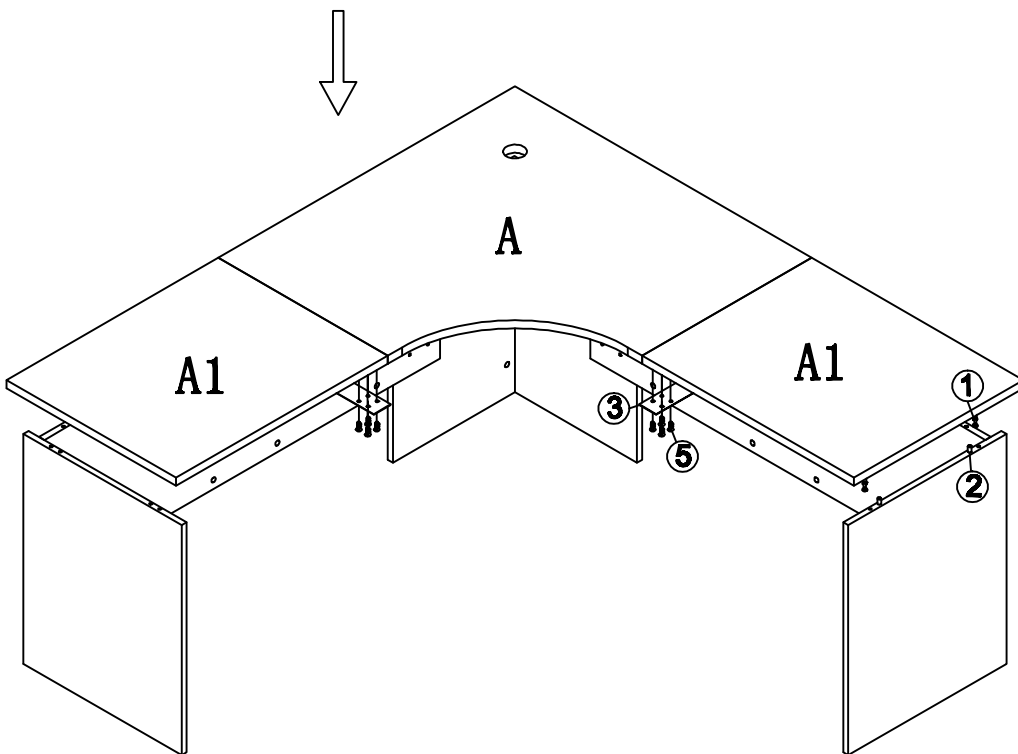


8

4



5



9