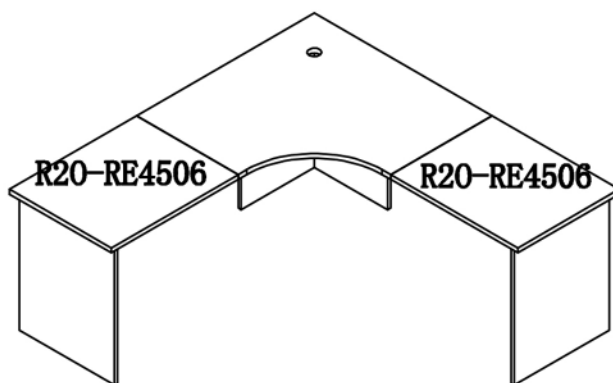
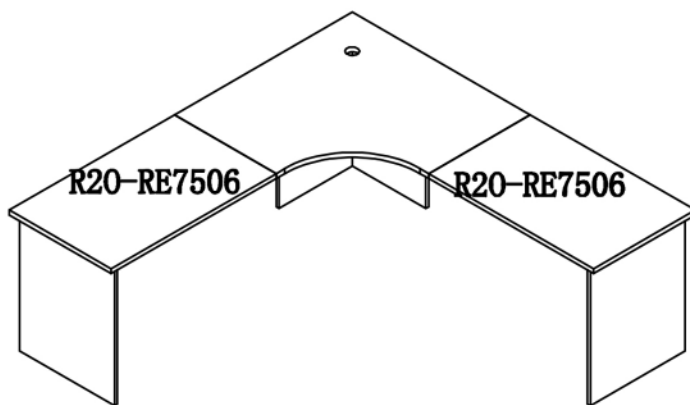


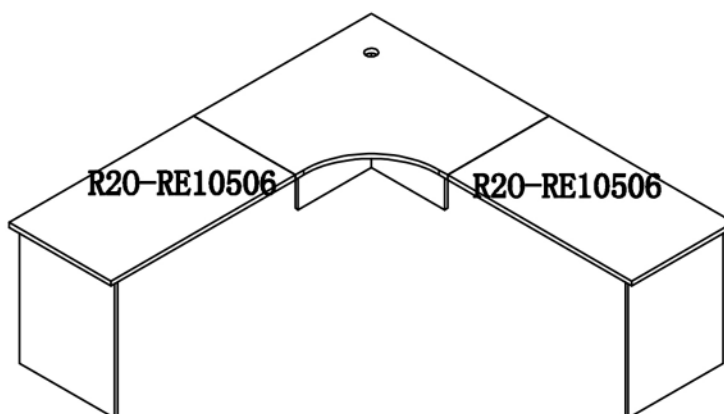
The First Assembly  
Method:Page 1-3



The Second Assembly  
Method:Page 4-6



The Third Assembly  
Method:Page 7-9



pin 6x35



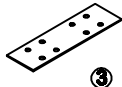
22 PCS

Dowel 8x30



26 PCS

CONNECTOR



2 PCS

Cam Cover



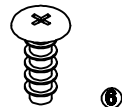
26 PCS

SCREW 6x12

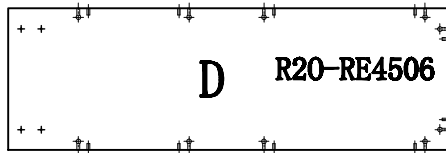
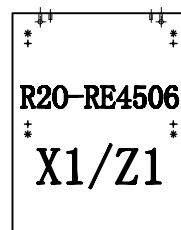
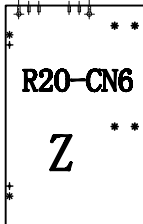
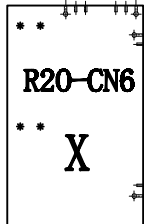
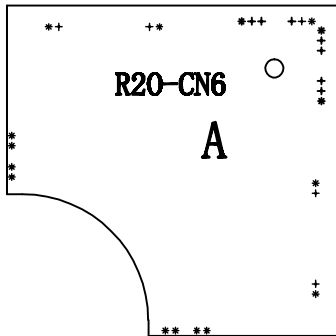


16PCS

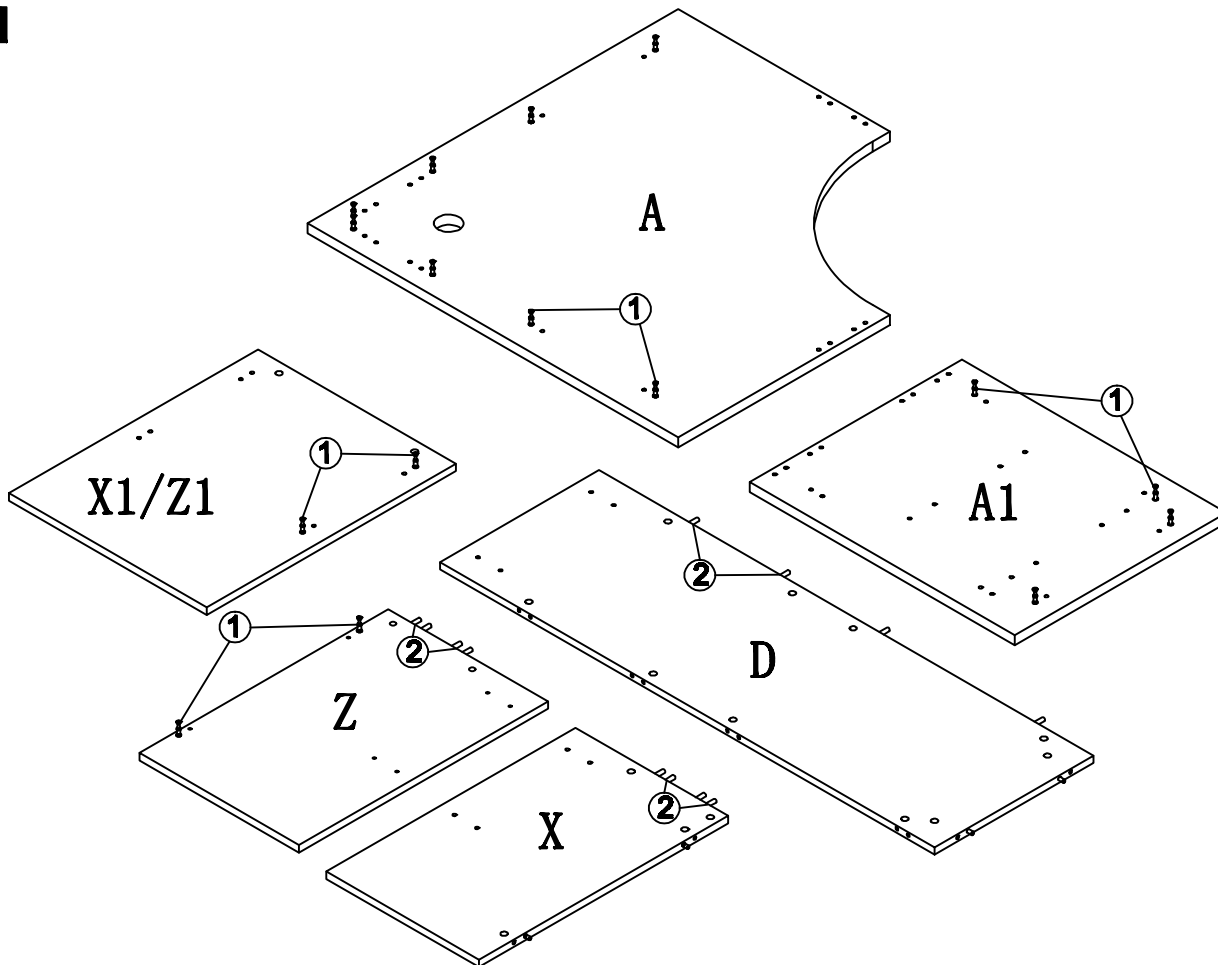
SCREW 6x26



8 PCS

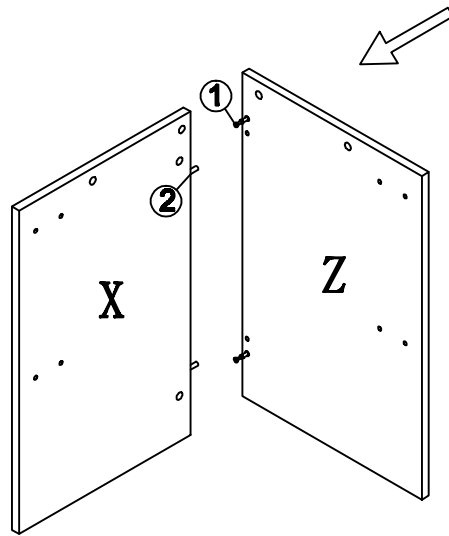


1

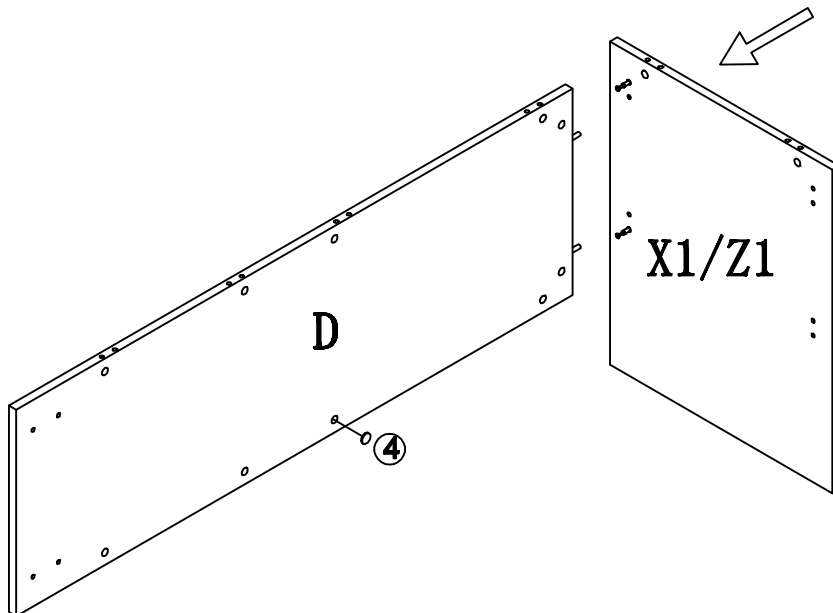


1

**2**

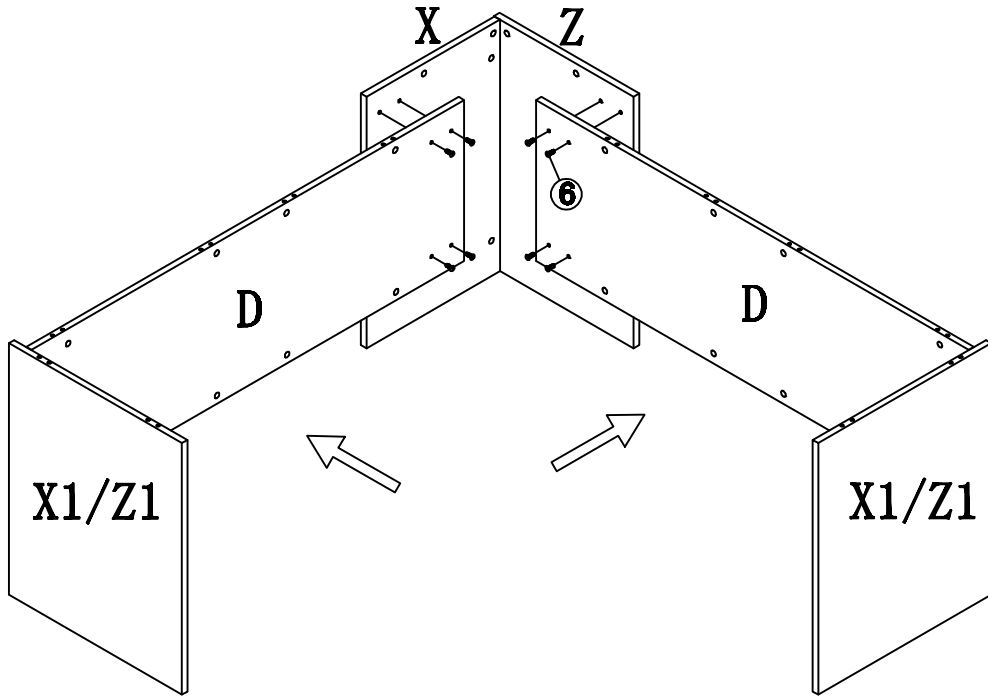


**3**

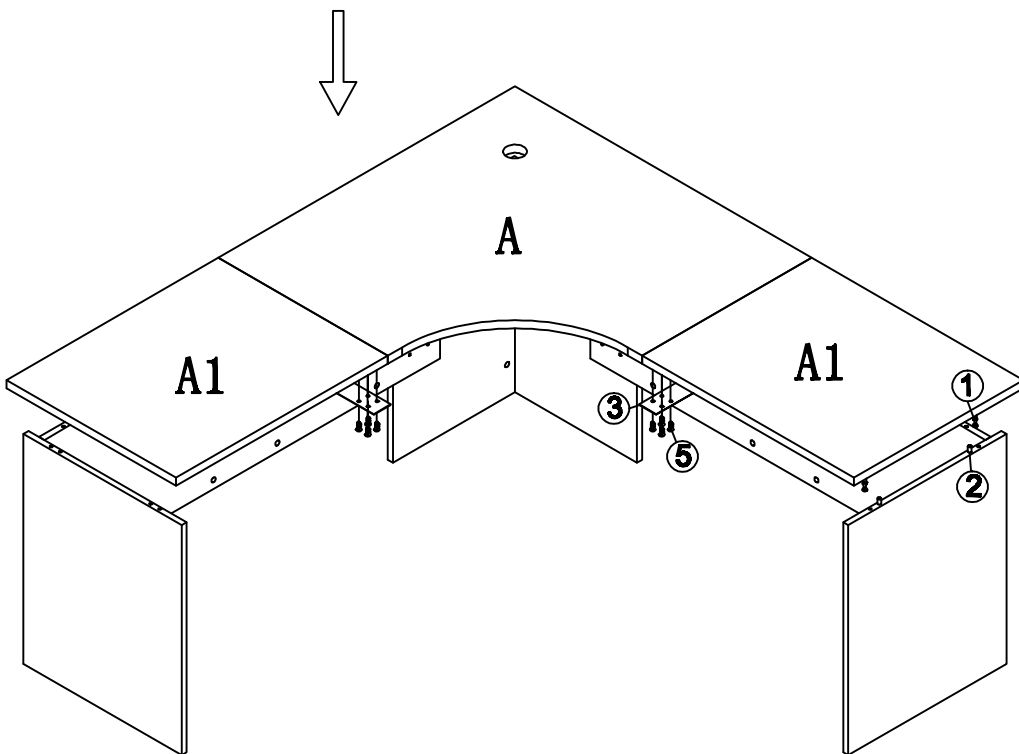


**2**



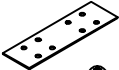



**4**

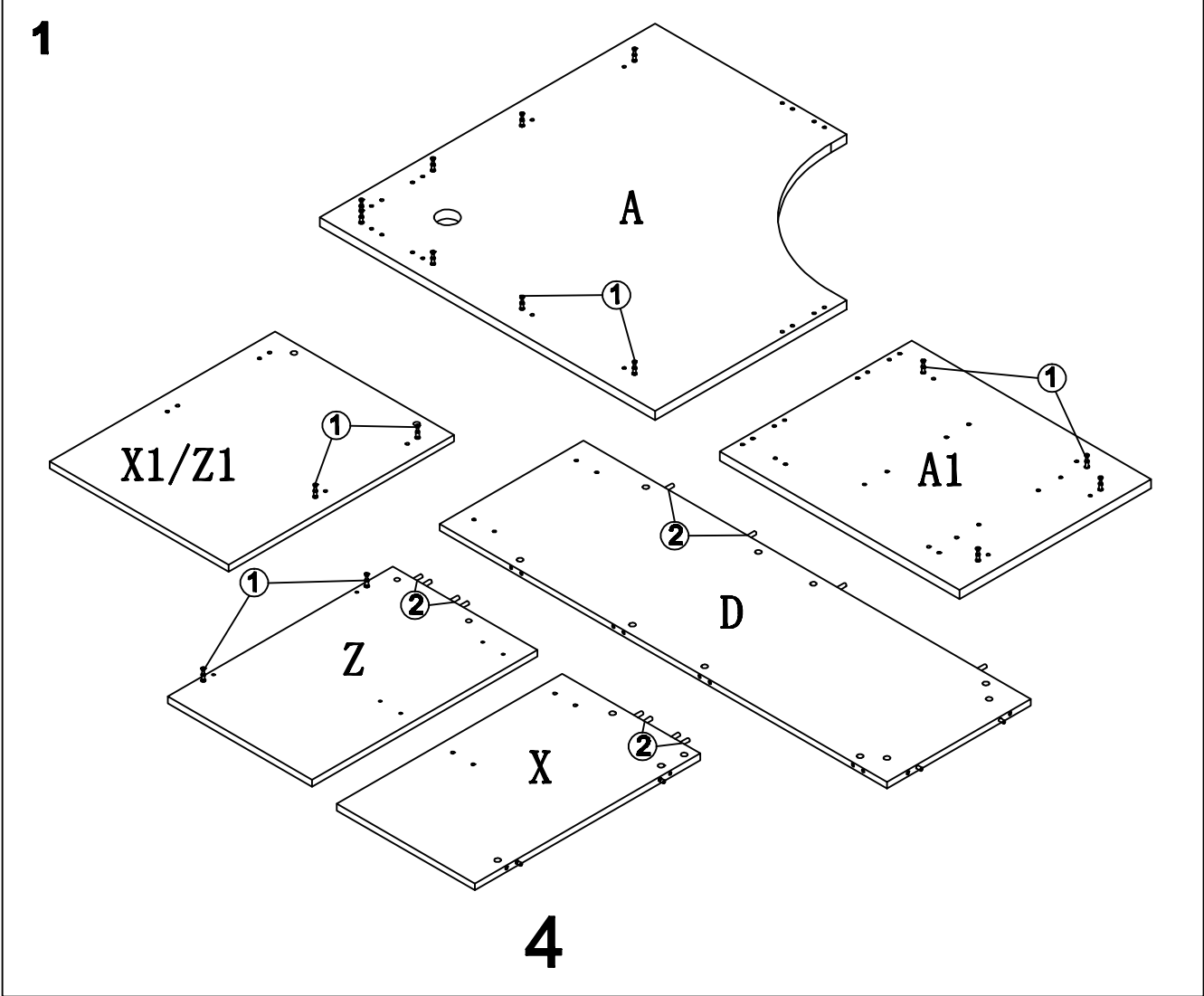
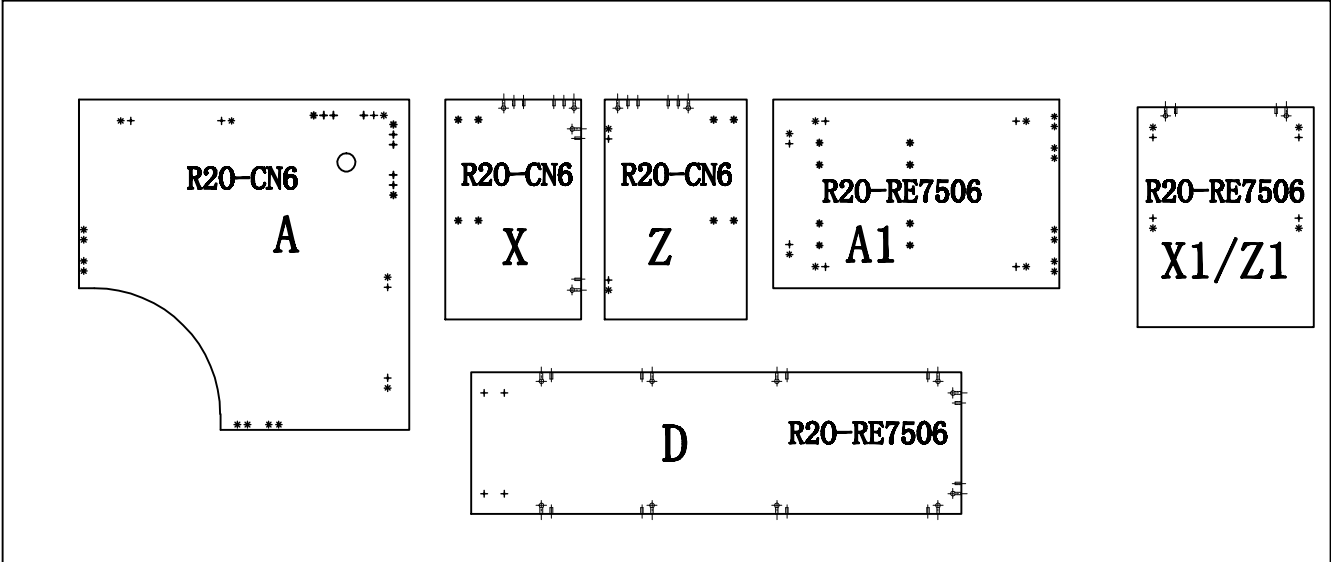


**5**

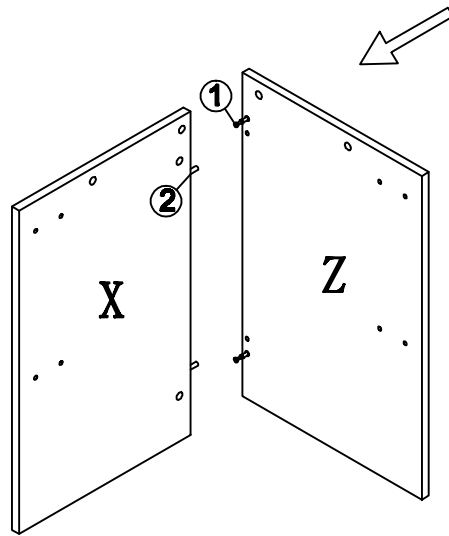


**3**

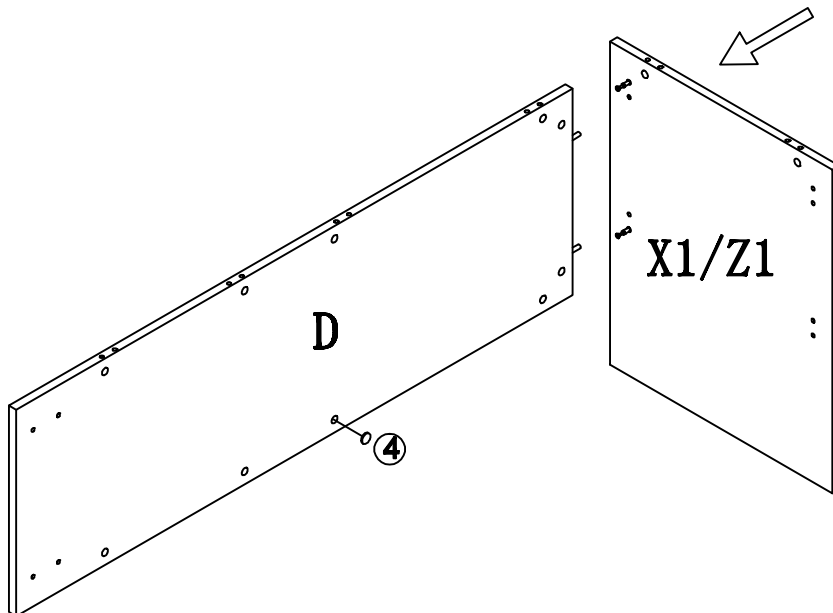
<p>pin 6×35</p>  <p>①</p> <p>22 PCS</p>	<p>Dowel 8×30</p>  <p>②</p> <p>26 PCS</p>	<p>CONNECTOR</p>  <p>③</p> <p>2 PCS</p>	<p>Cam Cover</p>  <p>④</p> <p>26 PCS</p>	<p>SCREW 6×12</p>  <p>⑤</p> <p>16PCS</p>	<p>SCREW 6×26</p>  <p>⑥</p> <p>8 PCS</p>
--	--	--	---	---	---



**2**

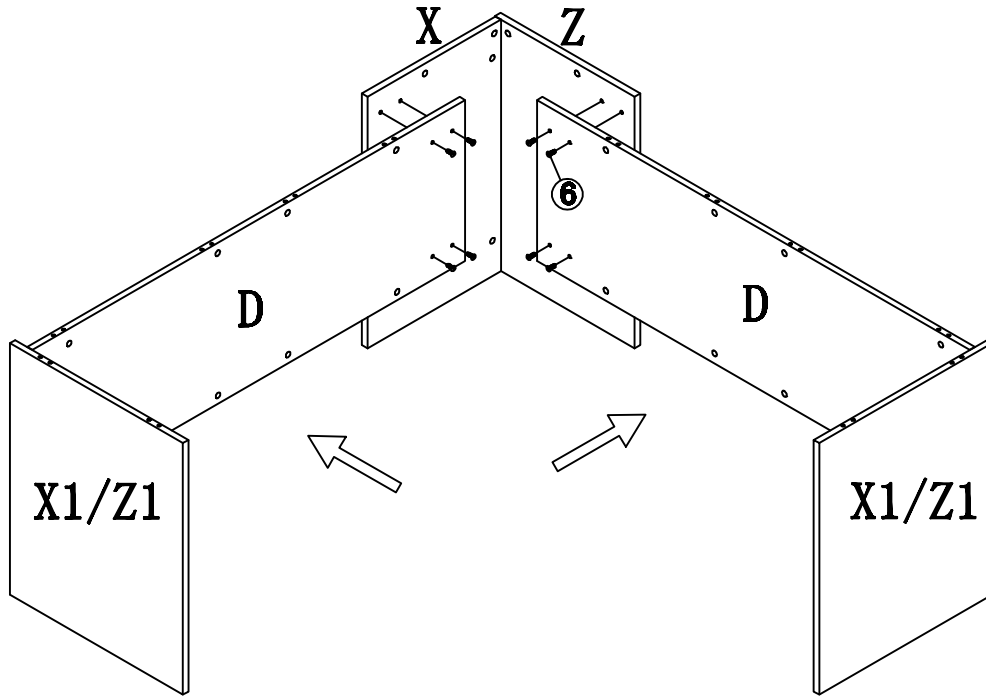


**3**

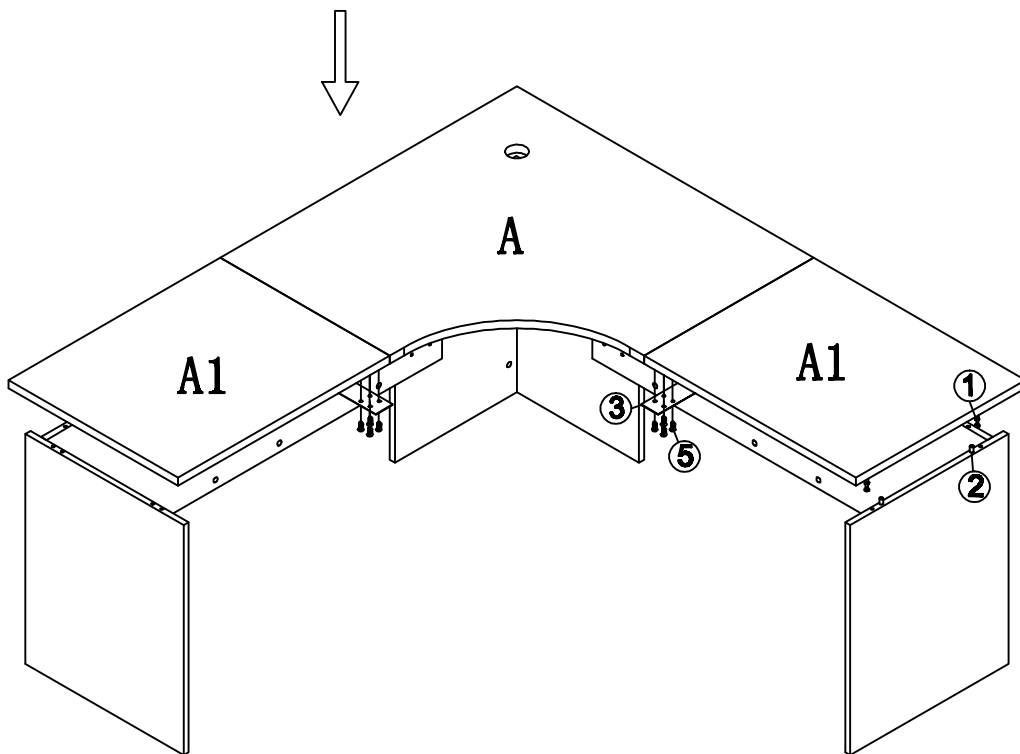


**5**






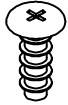
**4**

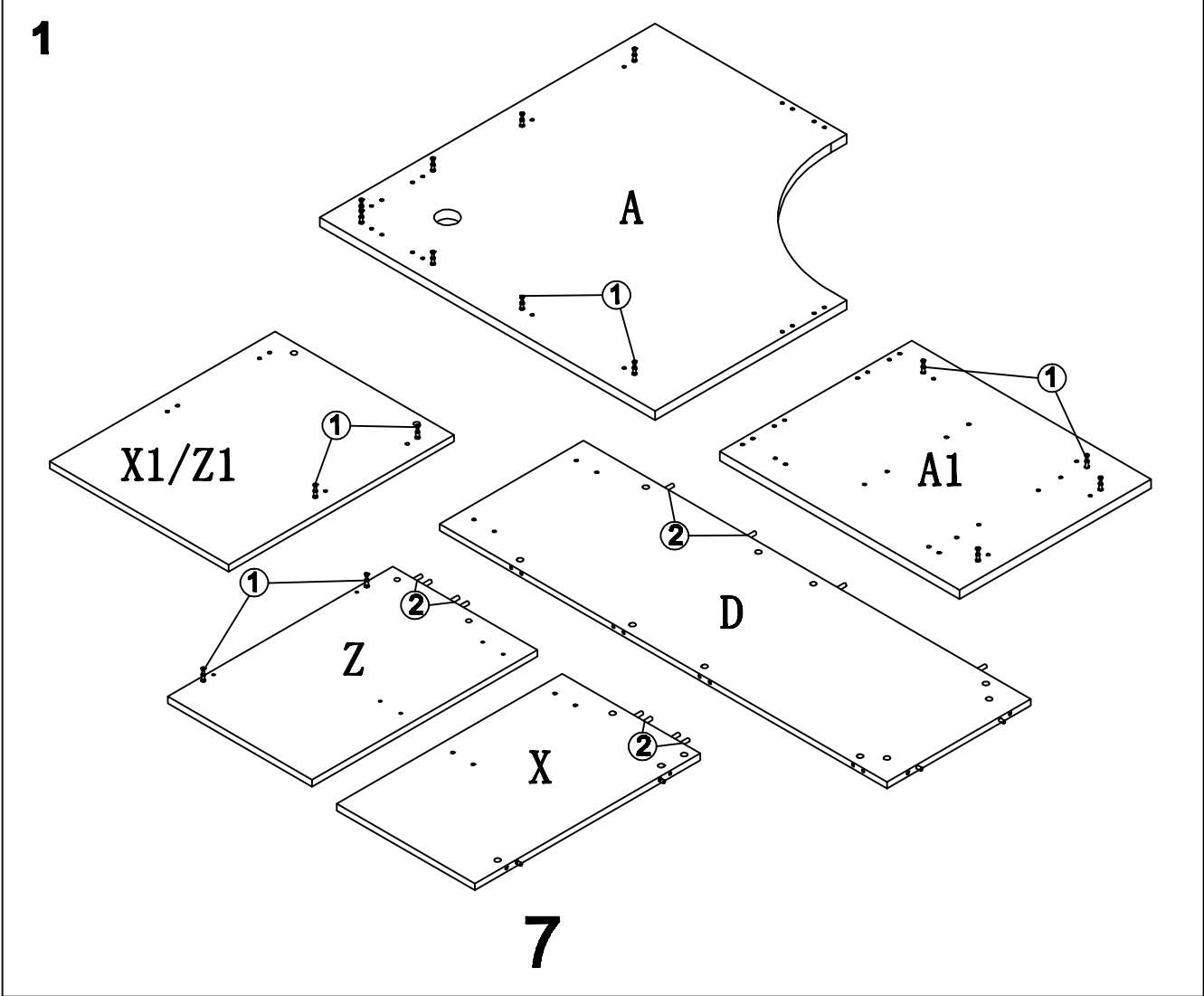
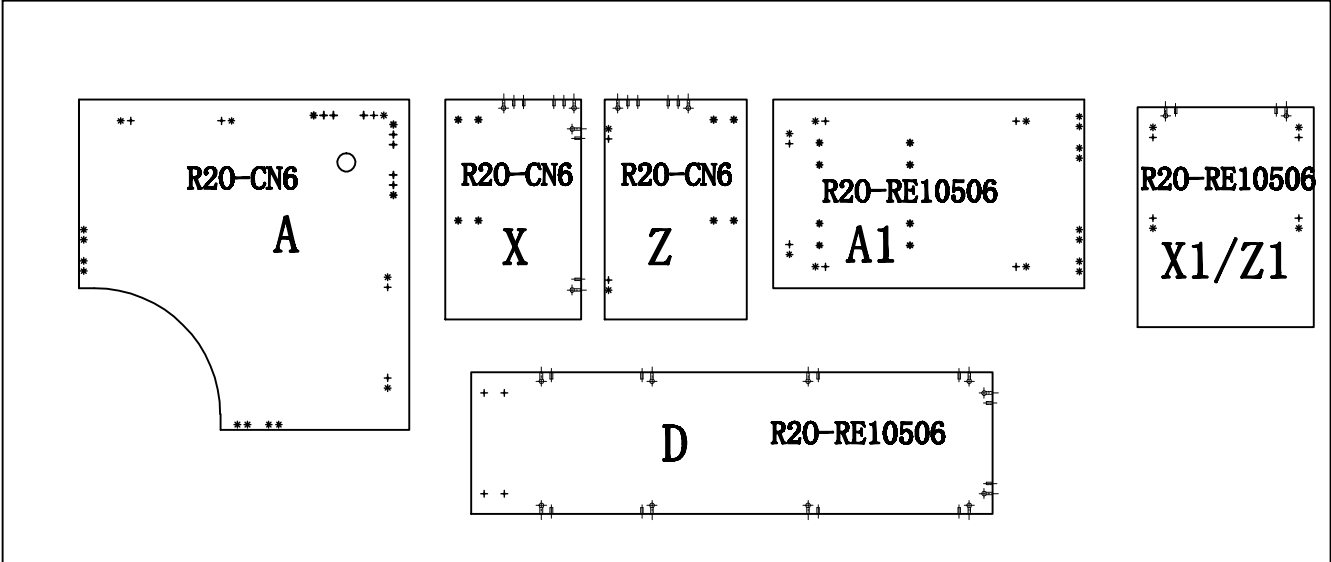


**5**



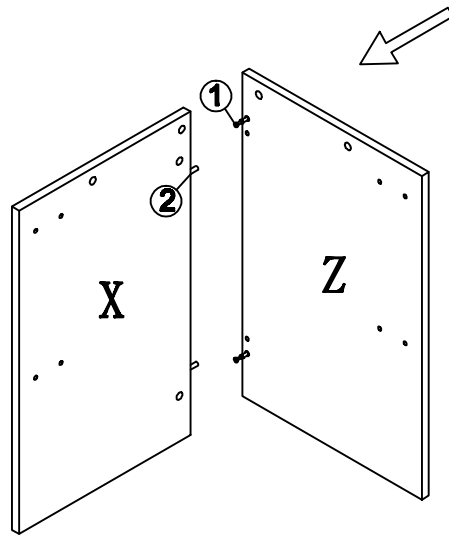
**6**

<p>pin 6×35</p>  <p>①</p> <p>22 PCS</p>	<p>Dowel 8×30</p>  <p>②</p> <p>26 PCS</p>	<p>CONNECTOR</p>  <p>③</p> <p>2 PCS</p>	<p>Cam Cover</p>  <p>④</p> <p>26 PCS</p>	<p>SCREW 6×12</p>  <p>⑤</p> <p>16PCS</p>	<p>SCREW 6×26</p>  <p>⑥</p> <p>8 PCS</p>
--	--	--	---	---	---

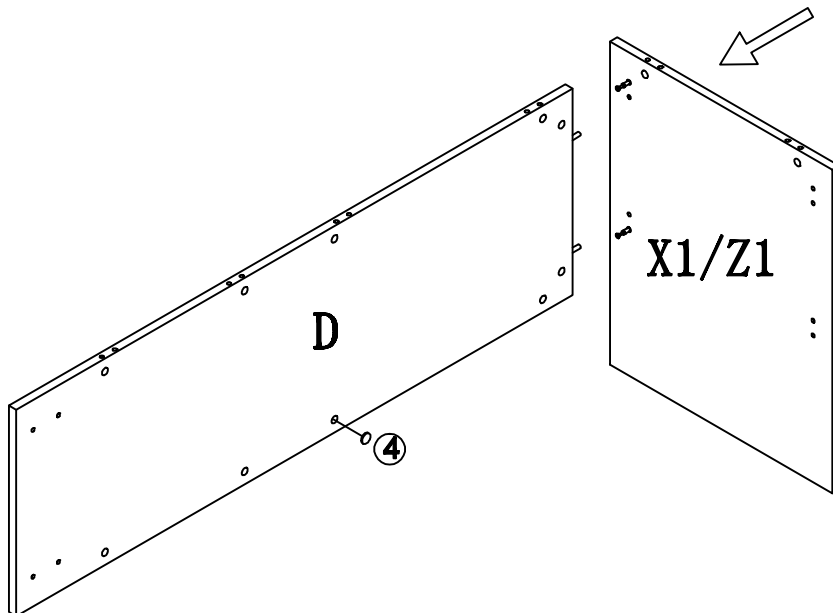




**2**

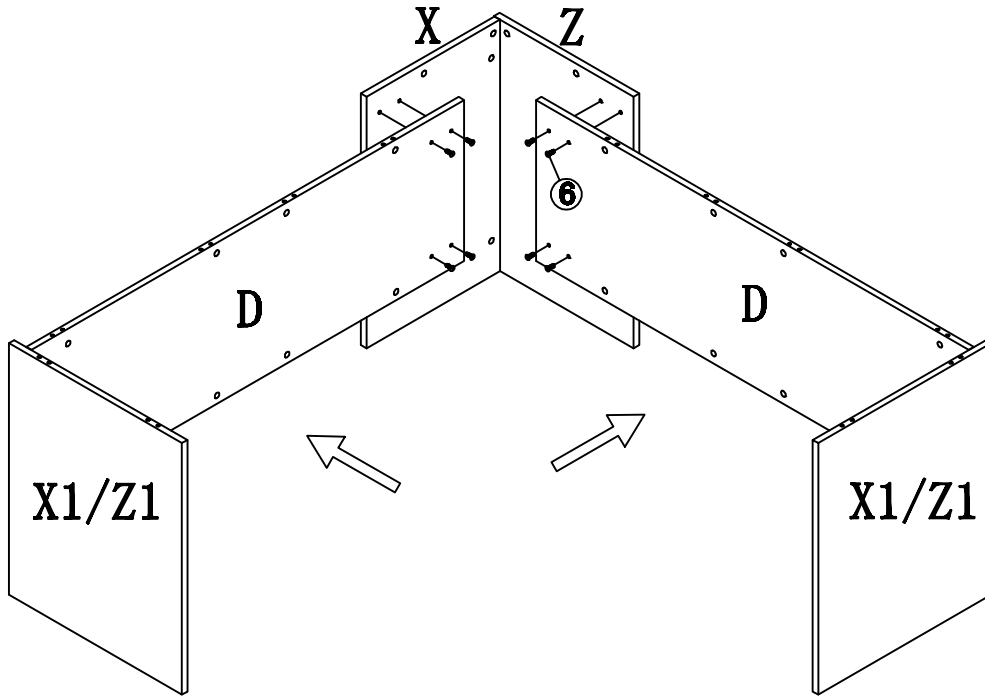


**3**

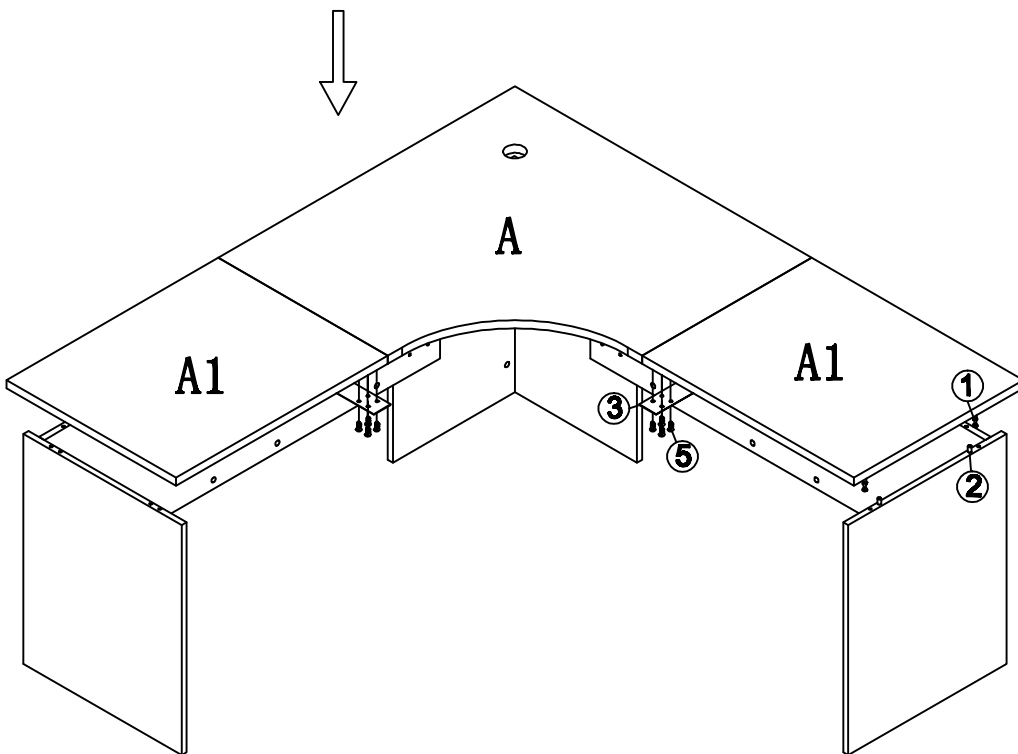


**8**

**4**



**5**



**9**