

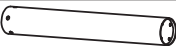










READY **2GO**

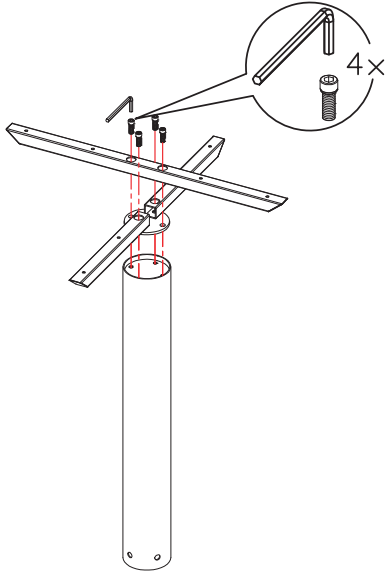
ASSEMBLY INSTRUCTIONS
R20-CRISS9 & R20-CRISS12



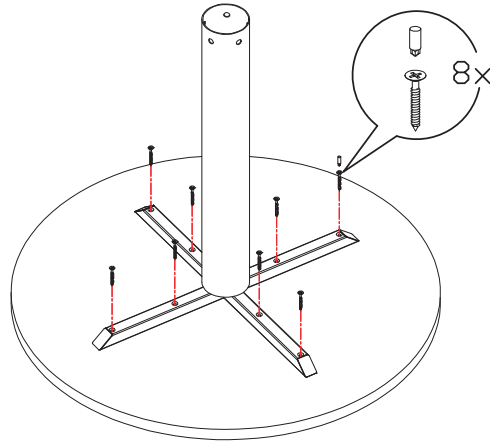
FITTINGS

1	TABLE TOP		x1	7	M8x20mm BOLT		x4
2	MIDDLE COLUMN		x1	8	M10x25mm BOLT		x5
3	CROSSBEAM 1		x1	9	M5x45mm CLIPBOARD SCREW		x8
4	CROSSBEAM 2		x1	10	M8 ALLEN KEY		x1
5	ADJUSTABLE FOOT		x5	11	M10 ALLEN KEY		x1
6	GASKET		x5				

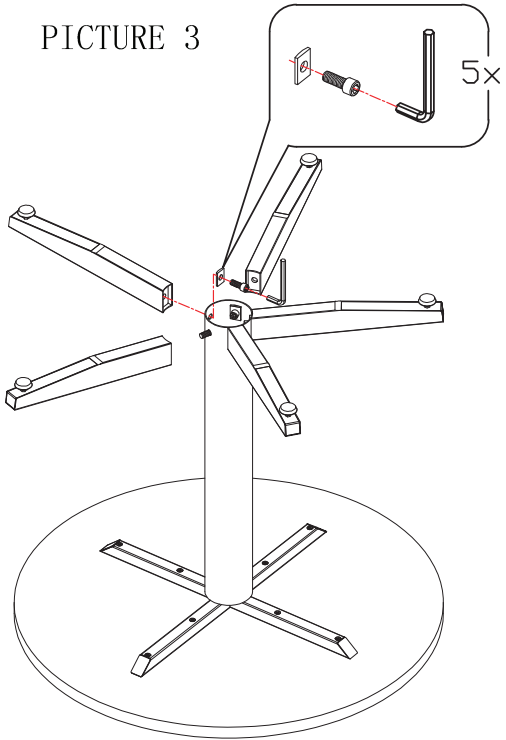
PICTURE 1



PICTURE 2



PICTURE 3



PICTURE 4

