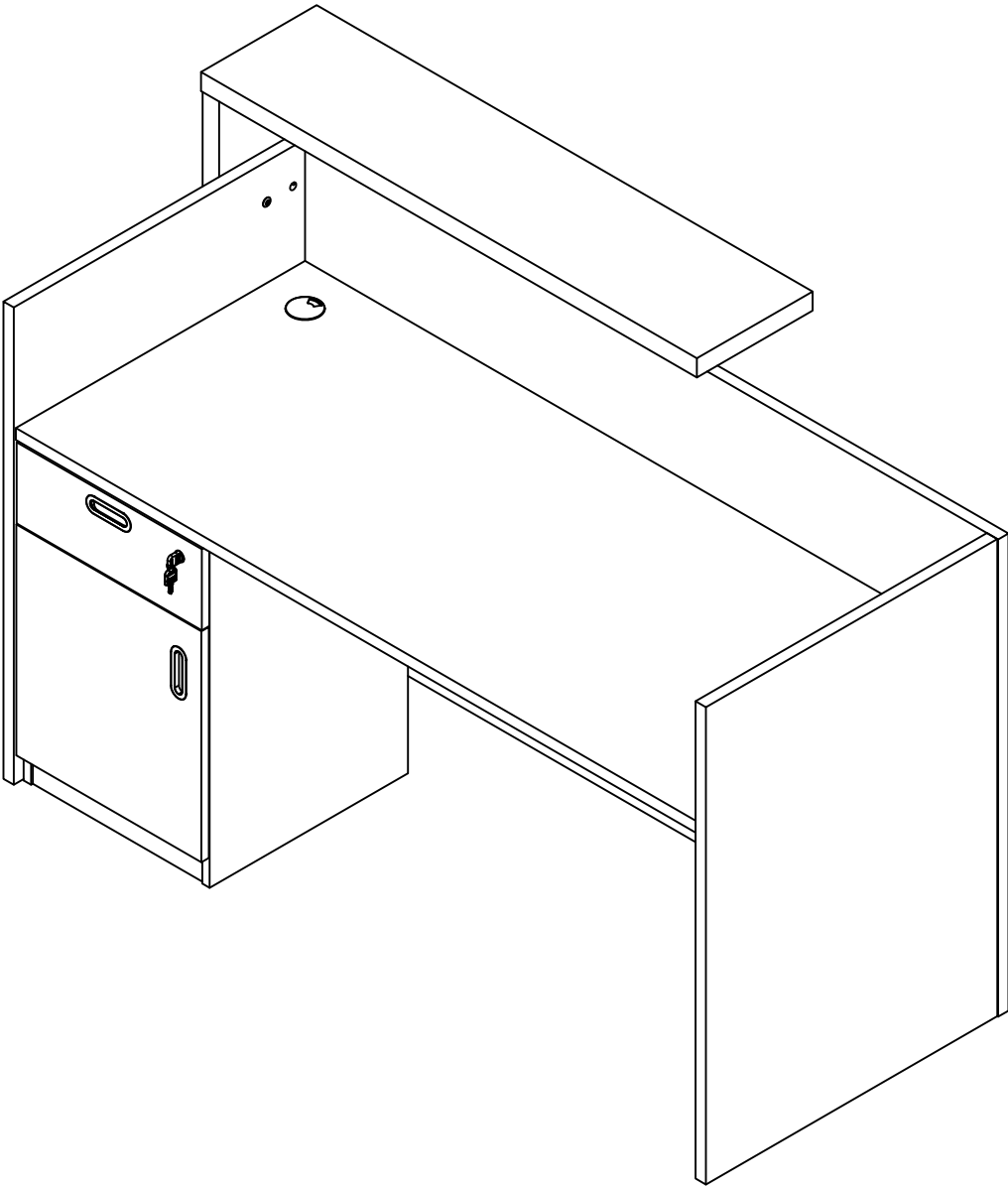
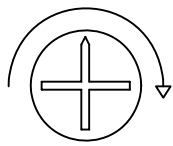


ASSEMBLY INSTRUCTION

HOLAD-R



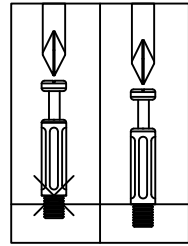


The turning direction of attaching

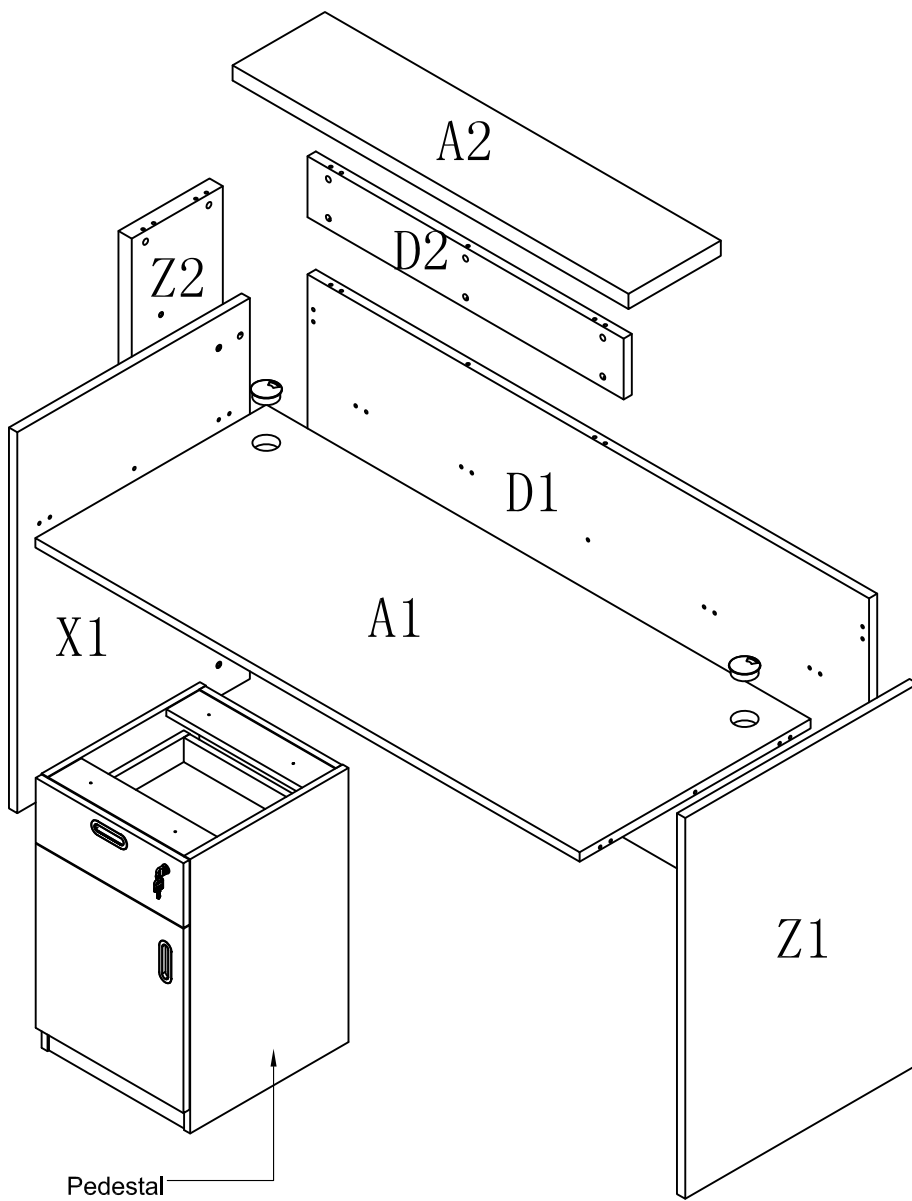


The arrow direction=front

Incorrect Correct



Screw cam bolts all the way in.



PARTS LIST

ITEM	DESCRIPTION	QTY.	PACK.
A1	Top panel	1	1 OF 5
D1	Back panel	1	2 OF 5
X1	Left side panel	1	3 OF 5
Z1	Right side panel	1	3 OF 5
A2	Top panel	1	4 OF 5
D2	Back panel	1	4 OF 5
Z2	Right side panel	1	4 OF 5
	Pedestal	1	5 OF 5

PARTS LIST

ITEM	DESCRIPTION	QTY.	ITEM	DESCRIPTION	QTY.
(c1)	6*35 Cam Bolt	25	(b1)	6*35 Fix Bolt	3
(d1)	8*30 Dowel Pin	18	(s2)	3.5*30 Screw	4
(c2)	(5/8") Cam Cover	28	(a)	Spanner	1



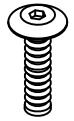
(c1) 6*35 Cam Bolt-25



(d1) 8*30 Dowel Pin-18



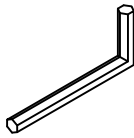
(c2) (5/8") Cam Cover-28



(b1) 6*35 Fix Bolt-3

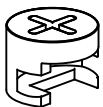


(s2) 3.5*30 Screw-4



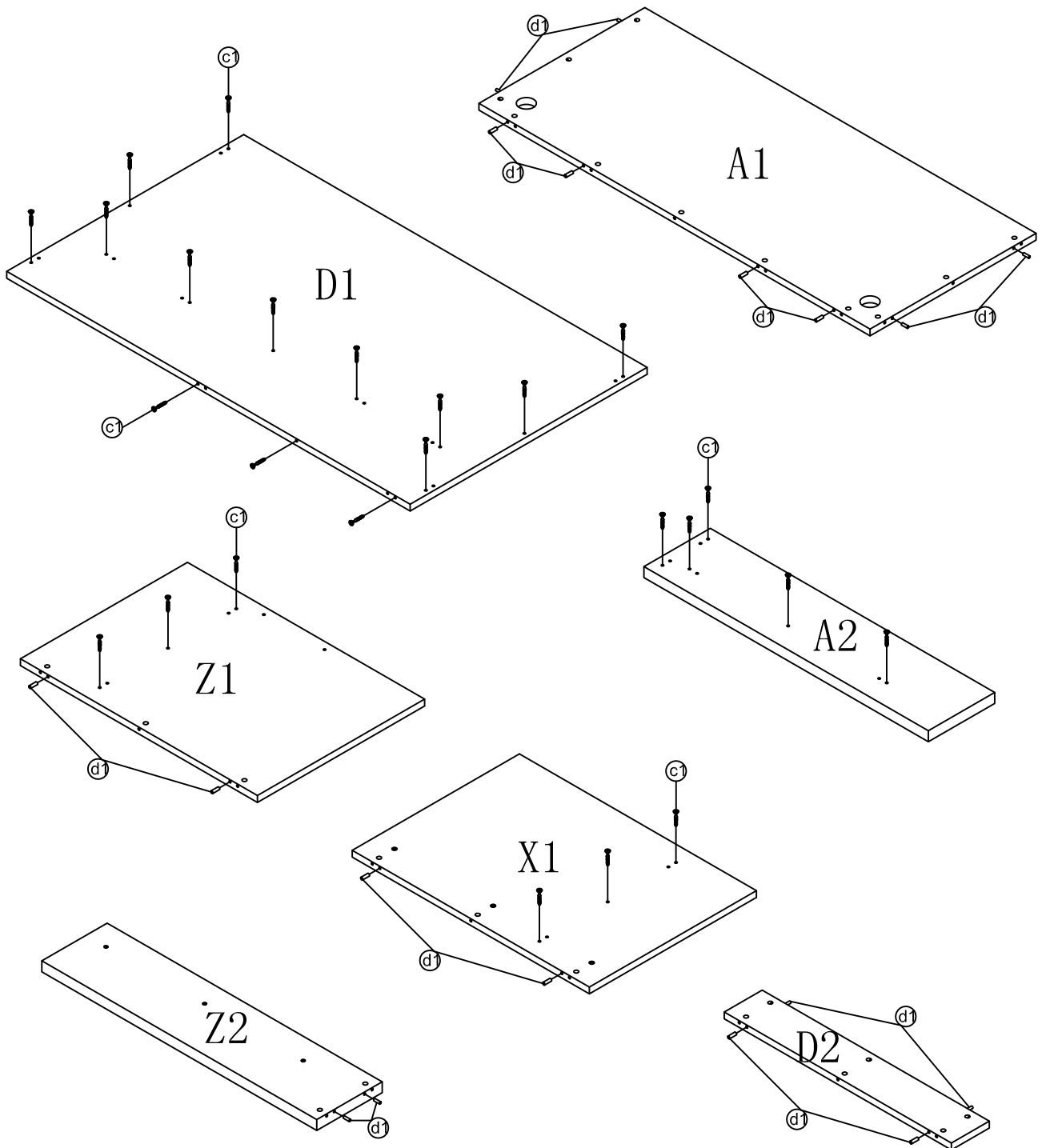
(a) Spanner-1

Pre-installed parts



(c5) Cam

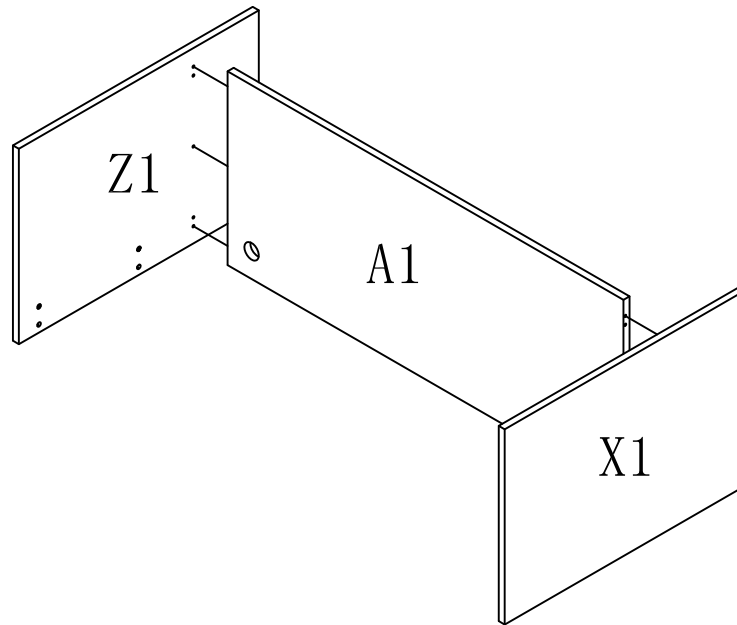
STEP 1



Preparation for panels A1,A2,D1,D2,X1,Z1 and Z2.

- 1.Insert cam bolts (C1) into panels A2,D1,X1 and Z1 as illustrated above.
- 2.Insert dowel pins (d1) into panels A1,D2 and Z2 as illustrated above.

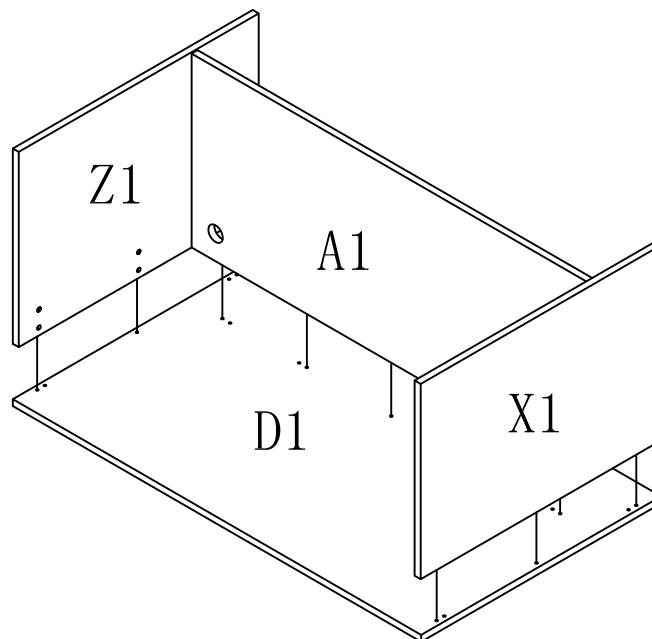
STEP 2



Panels X1 and panel Z1 assembly.

1. Insert cam bolts (C1) on panels X1 and Z1 into cams on panel D1 and tighten in a clockwise direction as illustrated above.
2. Insert dowel pins (D1) into panel A1 as illustrated above.

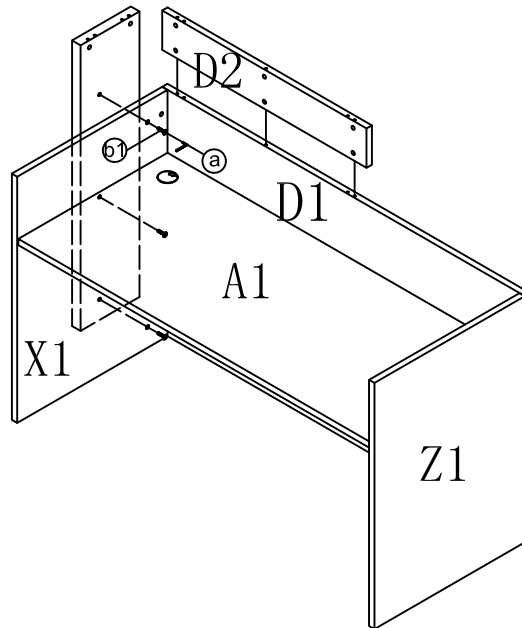
STEP 3



Panel A1 assembly.

1. Insert cam bolts (C1) on panel A1 into cams on panels X1, Z1 and D1 and tighten in a clockwise direction as illustrated above.
2. Insert dowel pins (D1) into panels X1, Z1 and A1 as illustrated above.

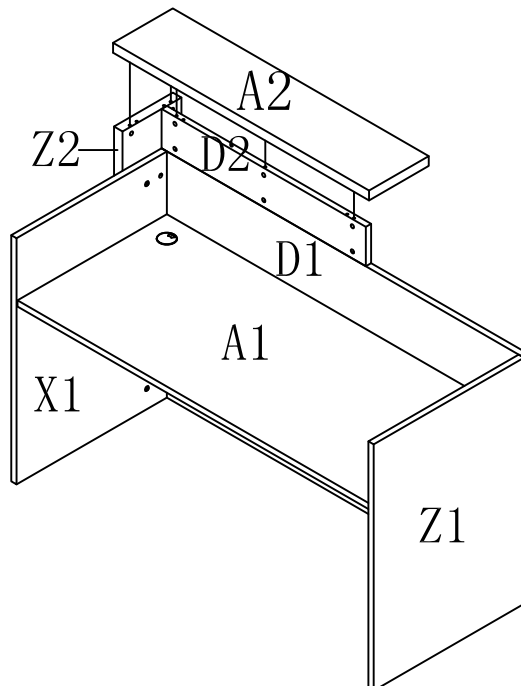
STEP 4



Panels D2 and panel Z2 assembly.

1. Insert cam bolts (c1) on panels D1 into cams on panel D2 and tighten in a clockwise direction as illustrated above.
2. Insert dowel pins (d1) into panel D1 as illustrated above.
3. Using Fix Bolts (b1) attached the metal bar to Panel Z2.

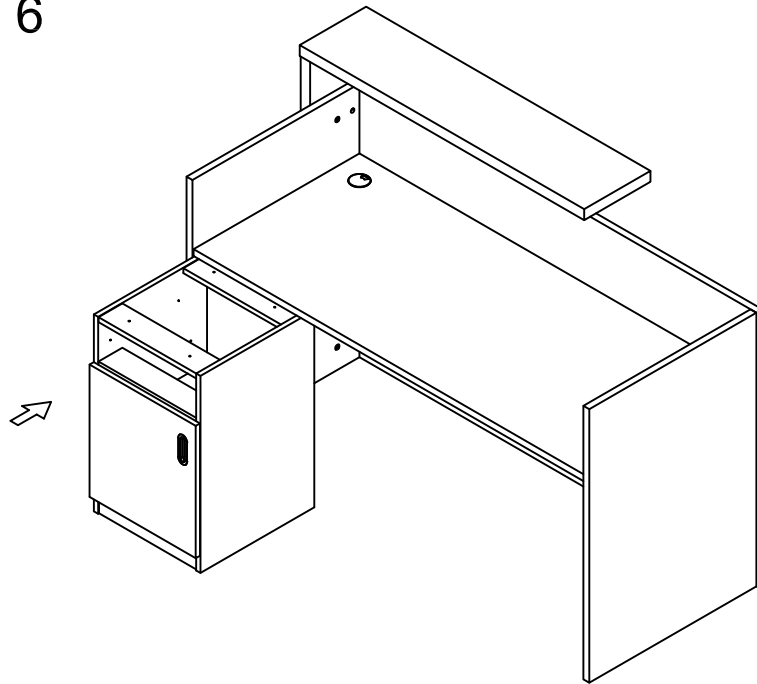
STEP 5



Panel A2 assembly.

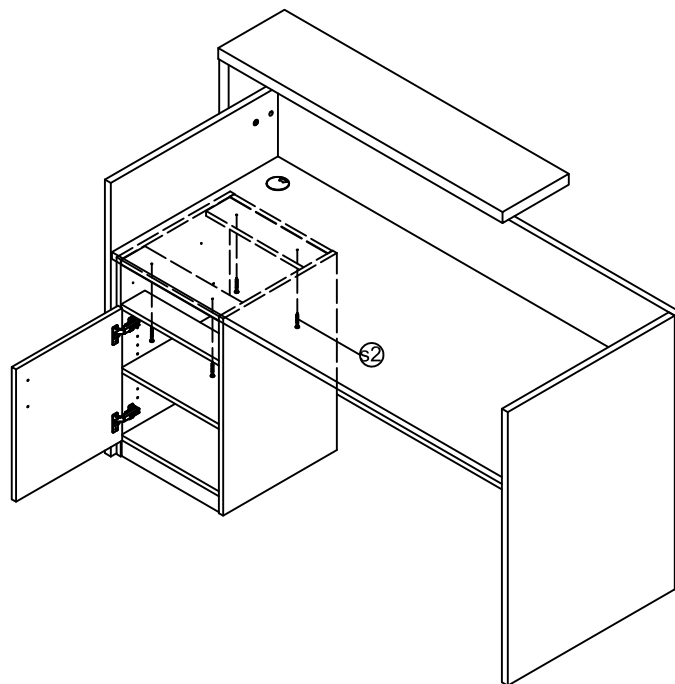
1. Insert cam bolts (c1) on panel A2 into cams on panels D2 and Z2 and tighten in a clockwise direction as illustrated above.
2. Insert dowel pins (d1) into panels D1 and Z2 as illustrated above.

STEP 6



Pedestal **assembly**

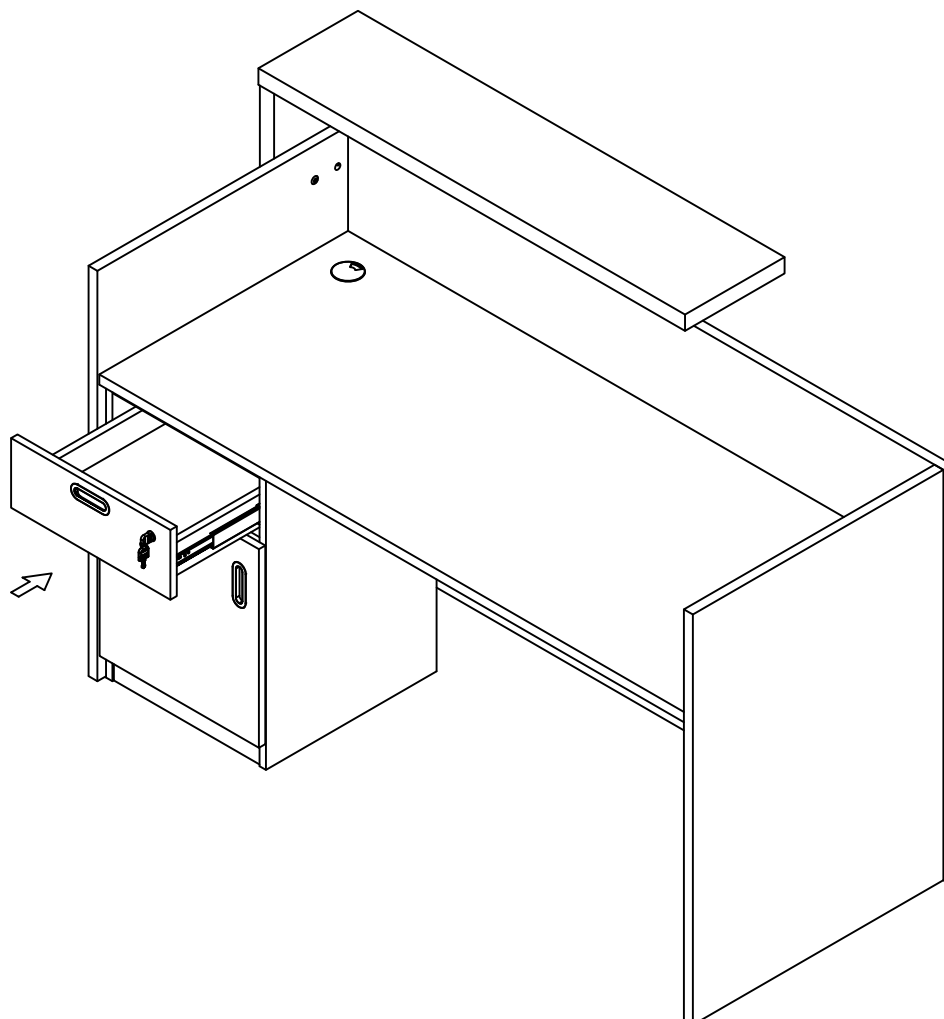
STEP 7



Pedestal **assembly**

1. Using screws $\textcircled{S2}$ attached the metal bar to Panel A1.

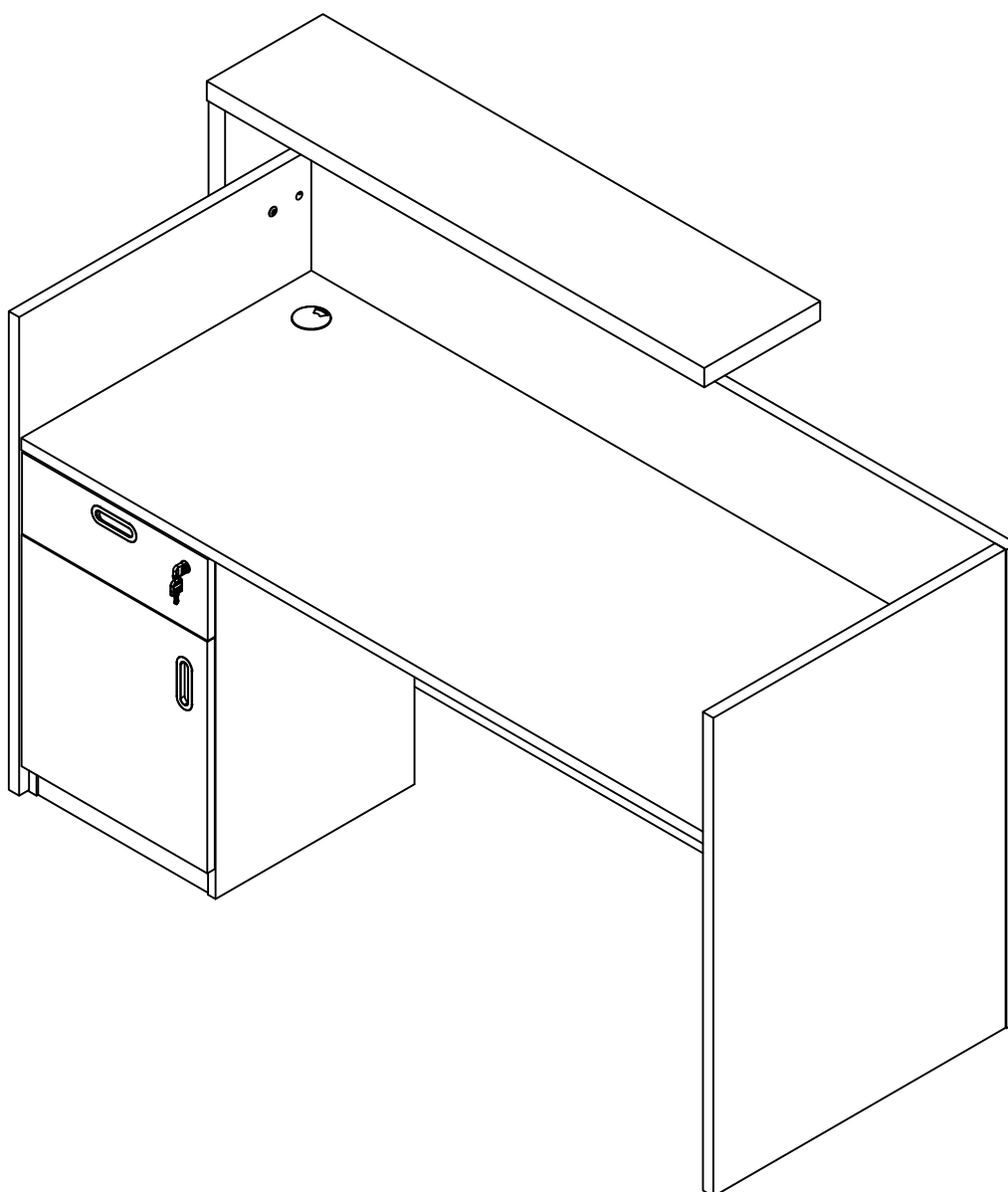
STEP 8



Drawer **assembly**

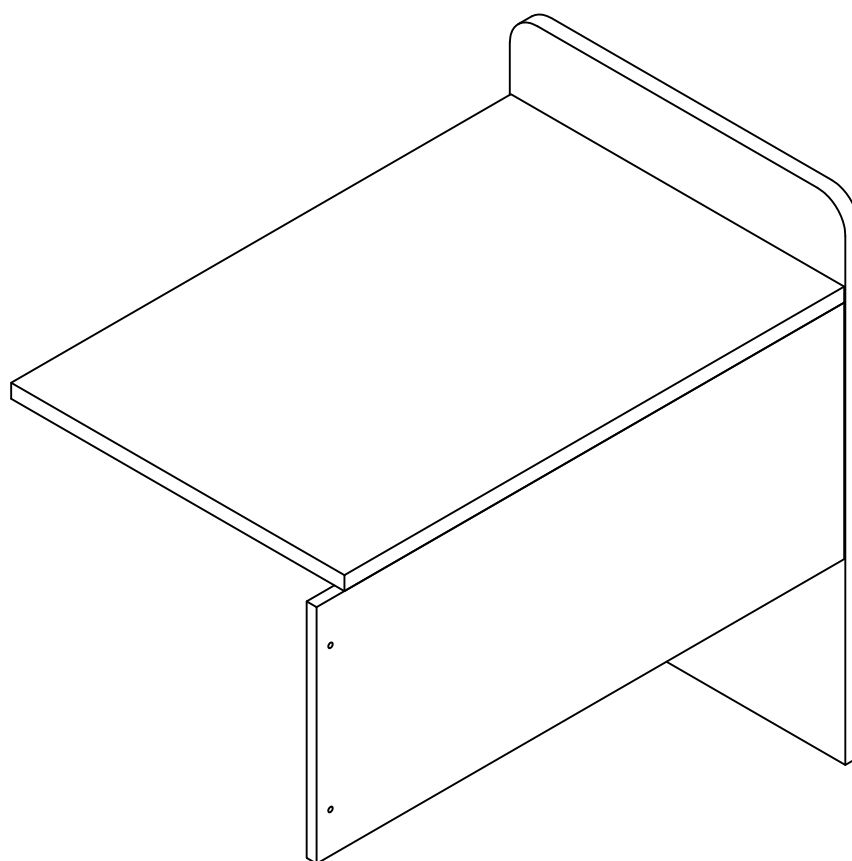
You have now successfully completed the assembly on item:

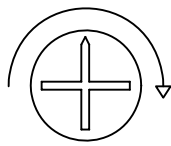
HOLAD-R



ASSEMBLY INSTRUCTION

HOLARET



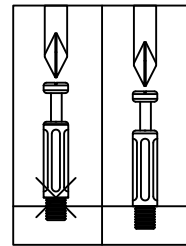


The turning direction of attaching

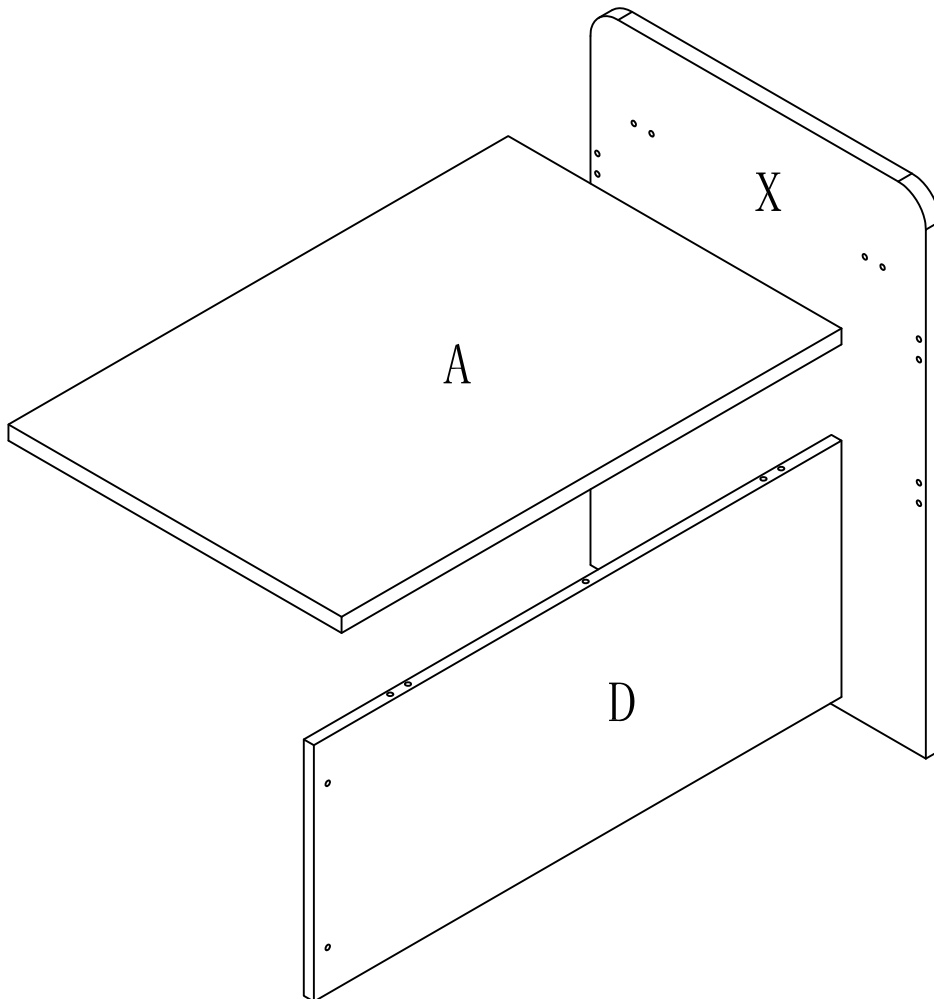


The arrow direction=front

Incorrect Correct



Screw cam bolts all the way in.



PARTS LIST

ITEM	DESCRIPTION	QTY.	PACK.
A	Top panel	1	1 OF 1
X	Left side panel	1	1 OF 1
D	Back panel	1	1 OF 1

PARTS LIST

ITEM	DESCRIPTION	QTY.	ITEM	DESCRIPTION	QTY.
(c1)	6*35 Cam Bolt	7	(b1)	6*30 Fix Bolt	2
(d1)	8*30 Dowel Pin	6	(b2)	6*12 Fix Bolt	8
(c2)	(5/8") Cam Cover	14	(t1)	56*186 Iron Sheet	2
(s1)	4*16 Screw	8	(a)	Spanner	1



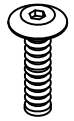
(c1) 6*35 Cam Bolt-7



(d1) 8*30 Dowel Pin-6



(c2) (5/8") Cam Cover-14



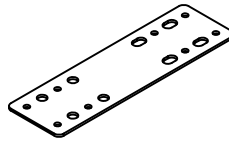
(b1) 6*30 Fix Bolt-2



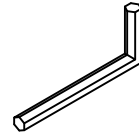
(b2) 6*12 Fix Bolt-8



(s1) 4*16 Screw-8

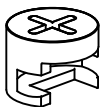


(t1) 56*186 Iron Sheet-2



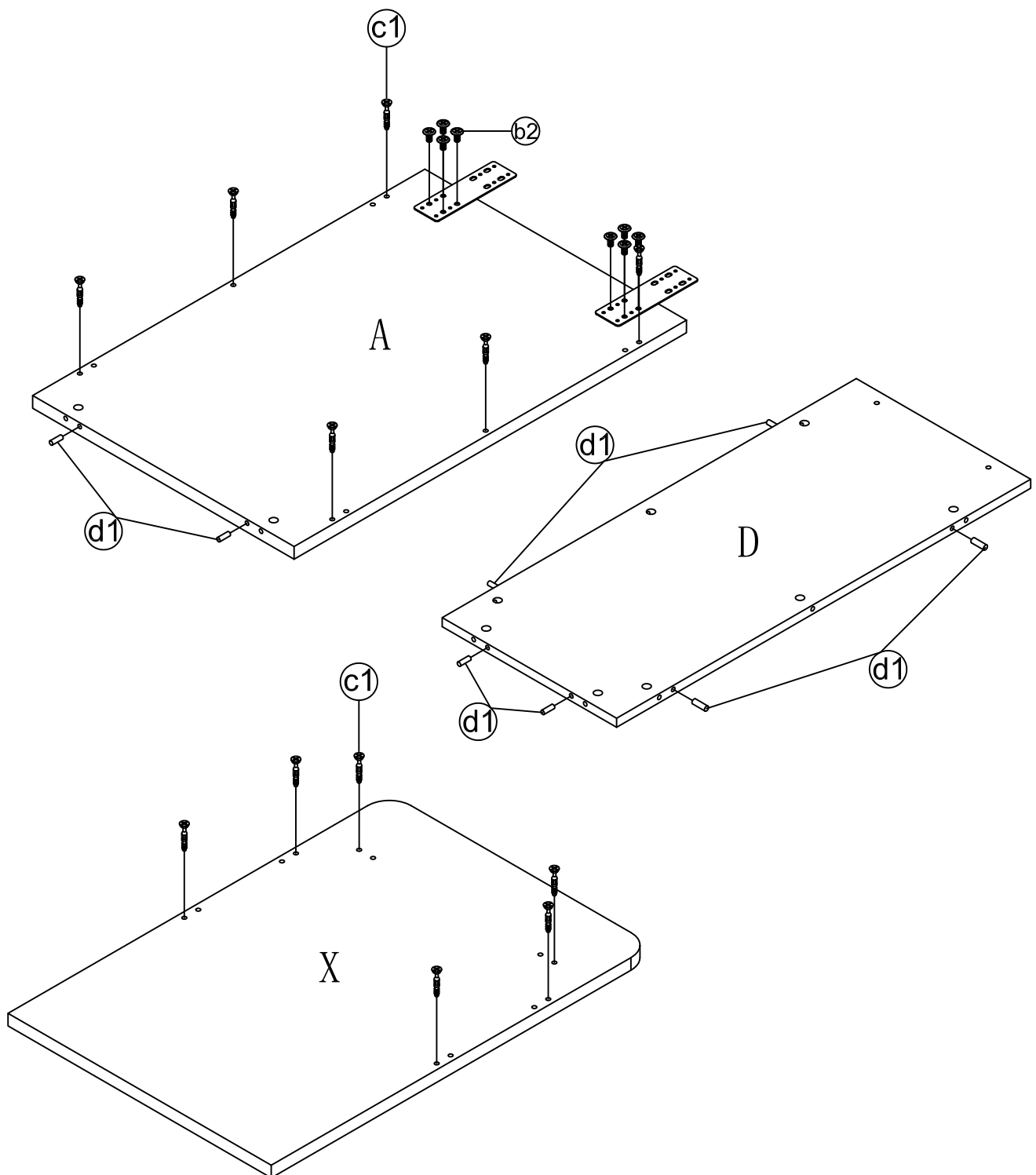
(a) Spanner-1

Pre-installed parts



(c5) Cam

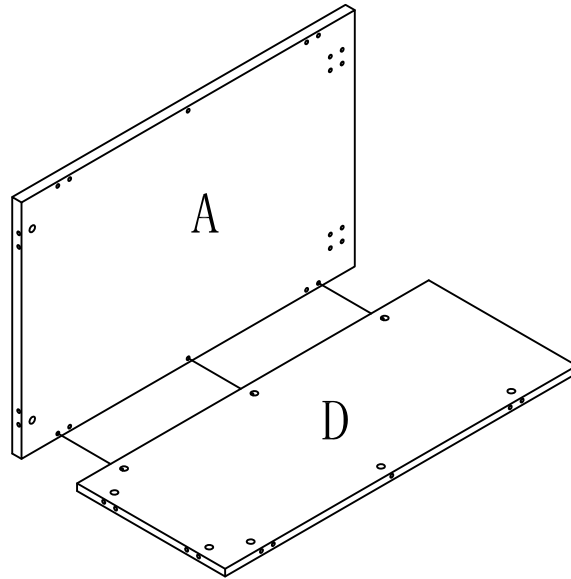
STEP 1



Preparation for Panels A,X and D.

- 1.Insert cam bolts (c1) into panels A and X as illustrated above.
- 2.Insert dowel pins (d1) into panel D as illustrated above.

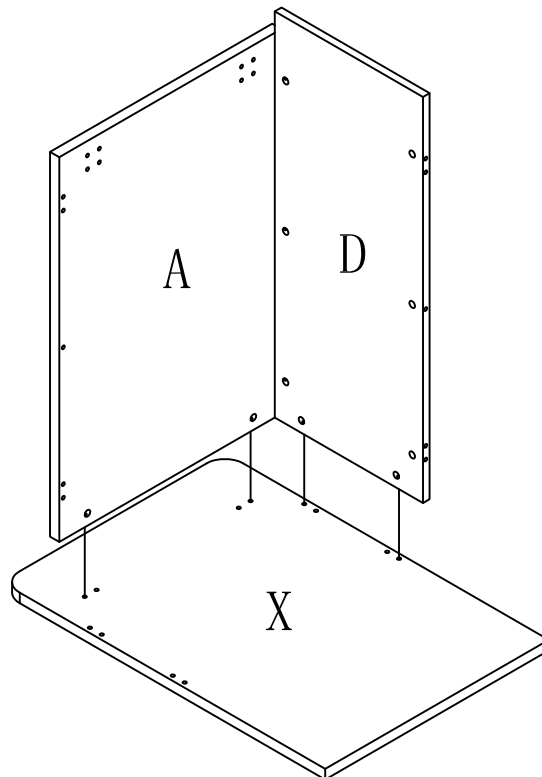
STEP 2



Panel A assembly.

1. Insert cam bolts (c1) on panel A into cams on panels D and tighten in a clockwise direction as illustrated above.
2. Insert dowel pins (d1) into panel D as illustrated above.

STEP 3

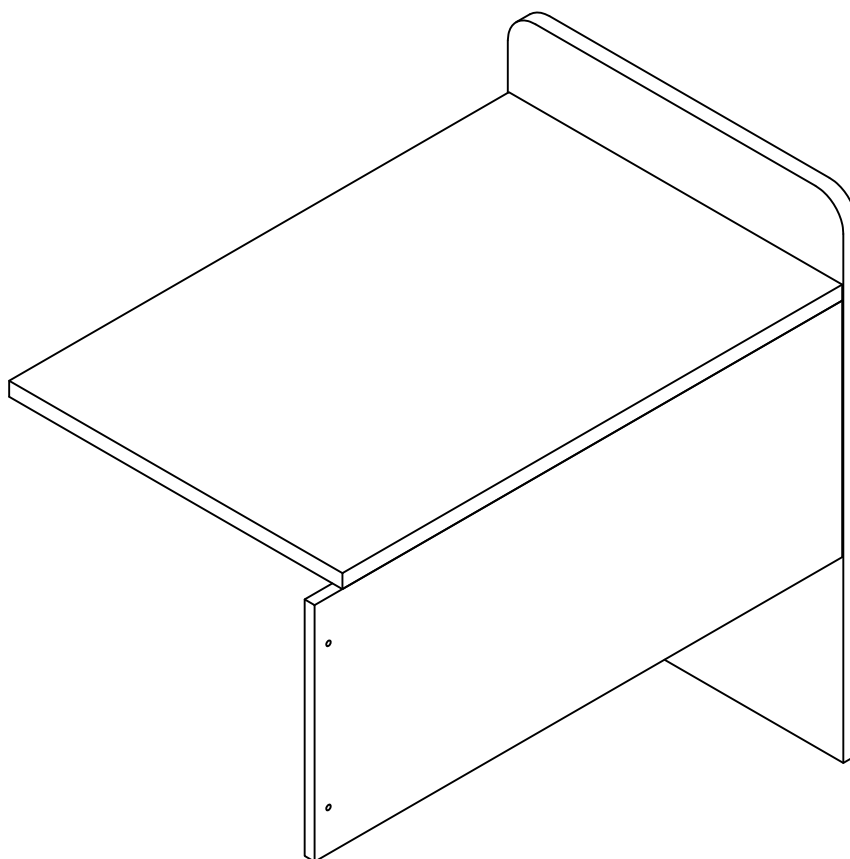


Panel X assembly.

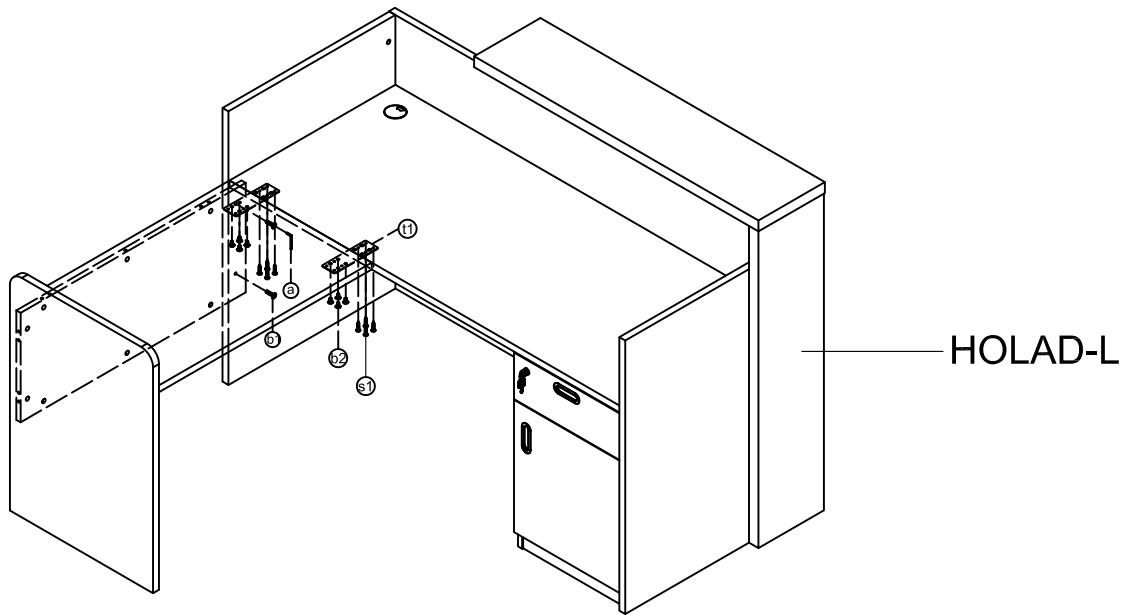
1. Insert cam bolts (c1) on panel X into cams on panels A and D and tighten in a clockwise direction as illustrated above.
2. Insert dowel pins (d1) into panels A and D as illustrated above.

You have now successfully completed
the assembly on item:

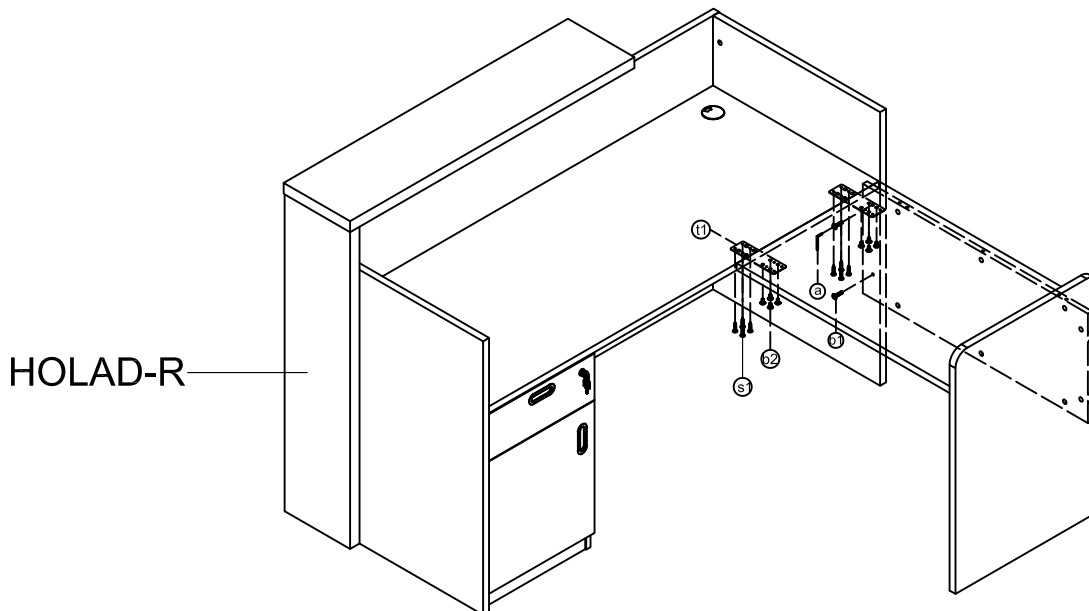
HOLARET



OPTION 1



OPTION 2



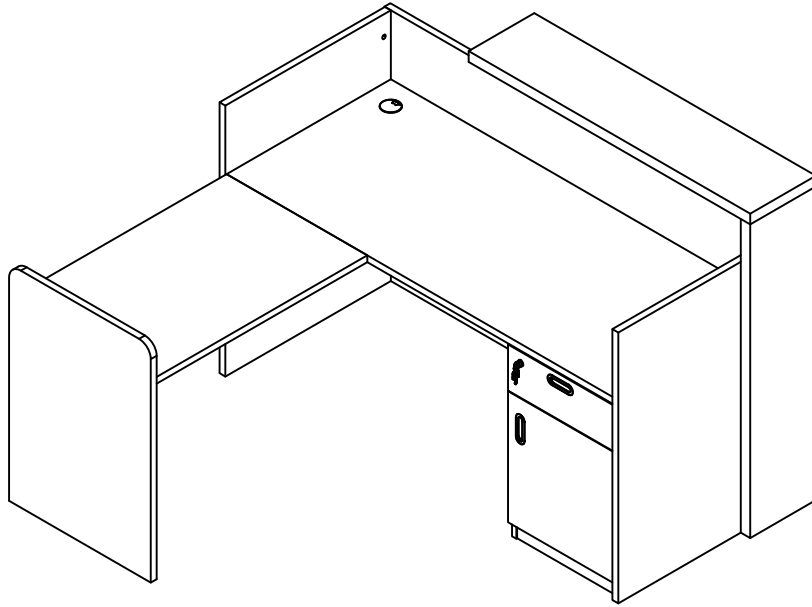
HOLARET assembly.

1. Using Fix Bolts (b1) attached the metal bar to Panels D and X1.
2. Fix Iron Sheets (t1) to panels A and A1 with screws (s2) and Fix Bolts (b1) as illustrated above.

You have now successfully completed
the assembly on item:

HOLAD-L & HOLAD-R & HOLARET

OPTION 1



OPTION 2

