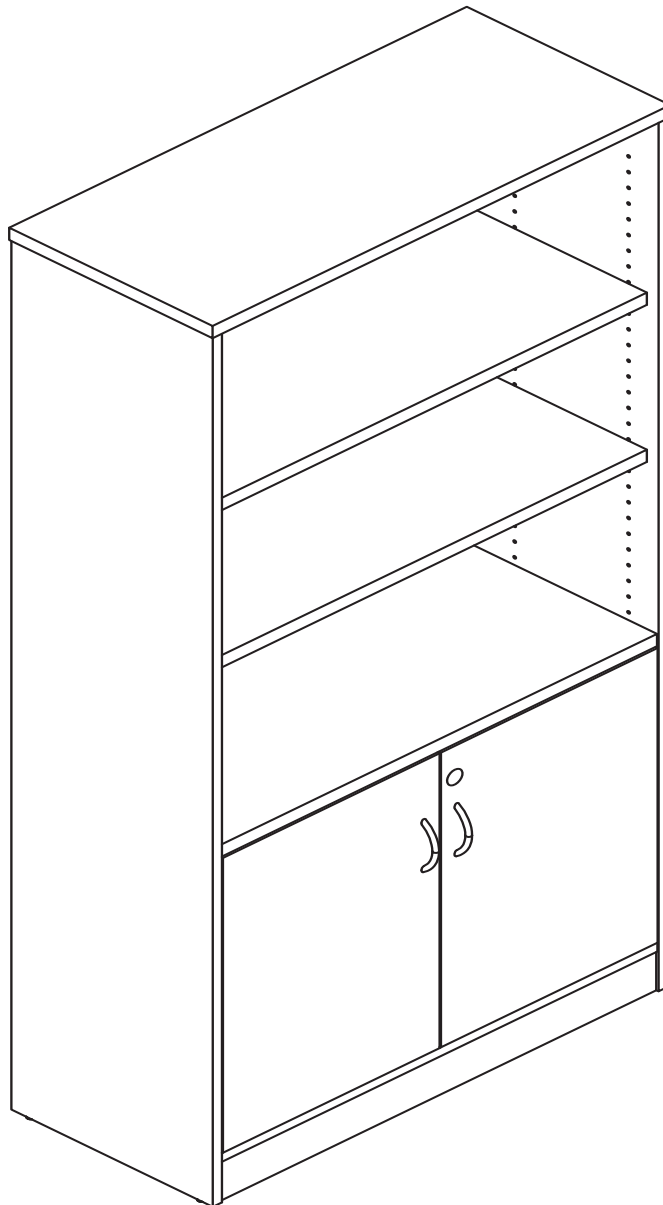
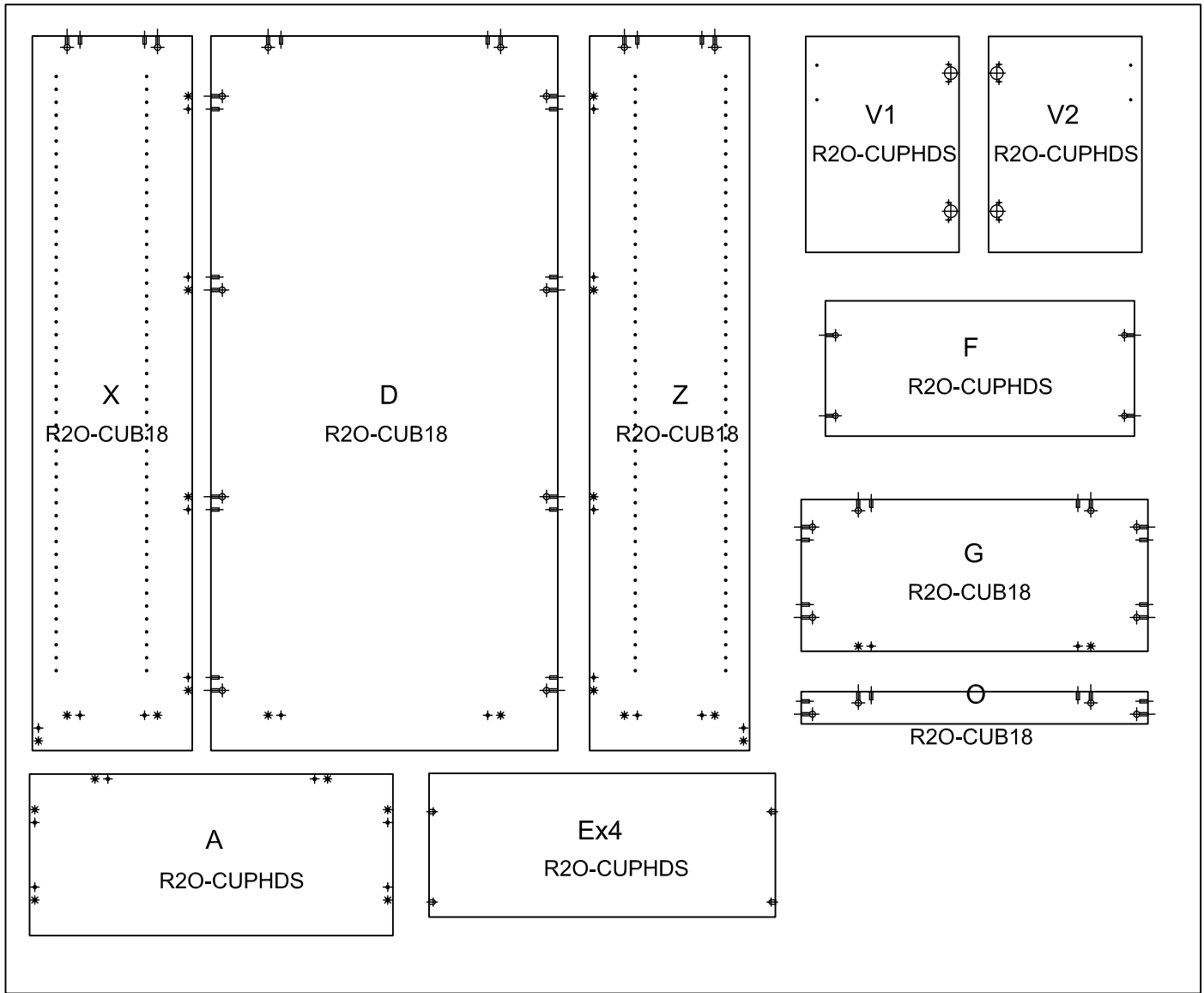


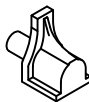



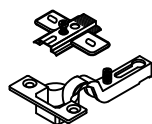



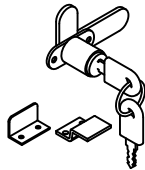


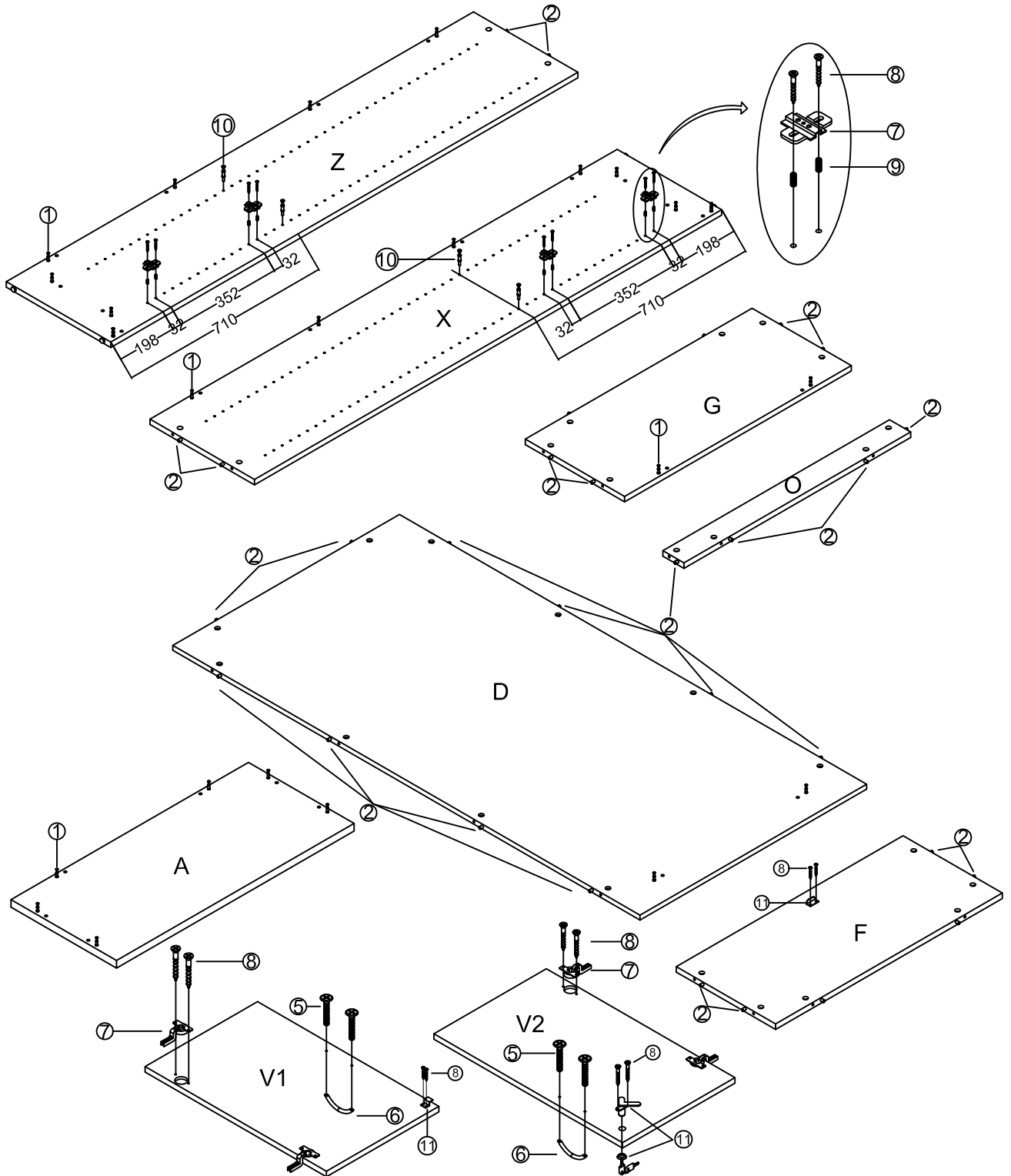
# Half Door Cupboard

R20-CUH





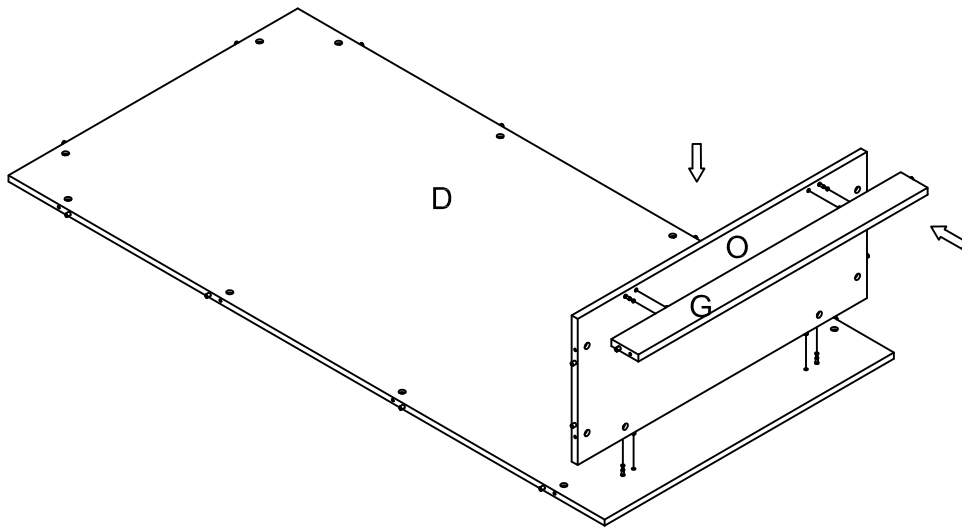
- |  |   |  |   |
|--|---|--|---|
| <p>pin 6×35</p>  <p>①</p> <p>24PCS</p>                    | <p>Dowel 8×30</p>  <p>②</p> <p>24PCS</p> | <p>Bolt Minifix</p>  <p>③</p> <p>16PCS</p>          | <p>Cam Cover</p>  <p>④</p> <p>28PCS</p>  |
| <p>Screw 4×22</p>  <p>⑤</p> <p>4PCS</p>                   | <p>Handle</p>  <p>⑥</p> <p>2PCS</p>      | <p>Hinge&amp;Mount Plate</p>  <p>⑦</p> <p>4PCS</p> | <p>Screw 4×16</p>  <p>⑧</p> <p>22PCS</p> |
| <p>Inflation colloidal particle</p>  <p>⑨</p> <p>8PCS</p> | <p>pin 6×35</p>  <p>⑩</p> <p>4PCS</p>    | <p>Lock</p>  <p>⑪</p> <p>1PCS</p>                   |   |

**1**

**Preparation for Top panel A, Bottom panel G, back panels D, Batten O, left side panel X, right side panel Z, Door panel V1 and V2 .**

- 1、 Insert cams bolts ① and dowel pins ② into panels A,D,G,X,Z and O as illustrated above.
- 2、 Insert ⑨ into panels X,Z as illustrated above.
- 3、 Fix hinge stands ⑦ to panels X,Z with screws ⑧ as illustrated above.
- 4、 Fix hinge bodies ⑦ to panels V1 and V2 with screws ⑧ as illustrated above.
- 5、 Fix handles ⑥ to panels V1 and V2 with fix bolts ⑤ as illustrated above.
- 6、 Fix lock ⑪ to panel V2 with screws ⑧ as illustrated above.
- 7、 Fix lock catch ⑪ to panel V1 with screw ⑧ as illustrated above .
- 8、 Fix lock catch ⑪ to panel A with screws ⑧ as illustrated above.

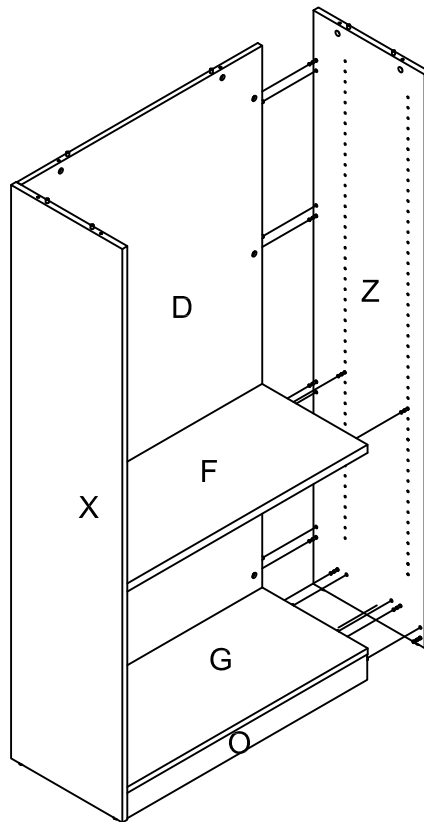
2



**Back panel D ,Bottom panel G , Batten O assembly.**

- 1、 Insert cam bolts ① on Immovable panel G into cams on panel O and tighten in a clockwise direction as illustrated above.
- 2、 Insert cam bolts ① on Immovable panel G into cams on panel D and tighten in a clockwise direction as illustrated above.

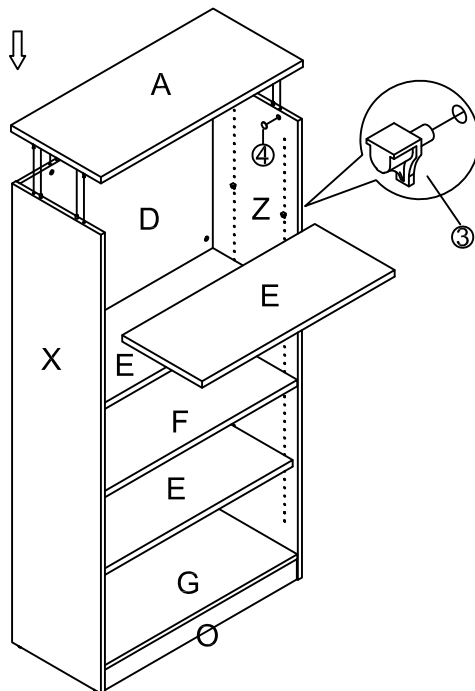
3



**Left side panel X,Right side panel Z assembly.**

- 1.Insert cam bolts ① on panel X and Z into cams on panels D,G,O,F and tighten in a clockwise direction as illustrated above.

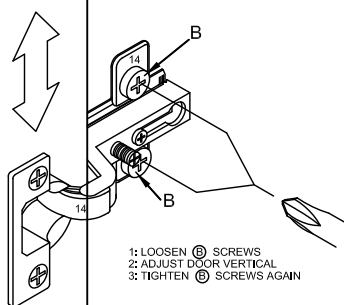
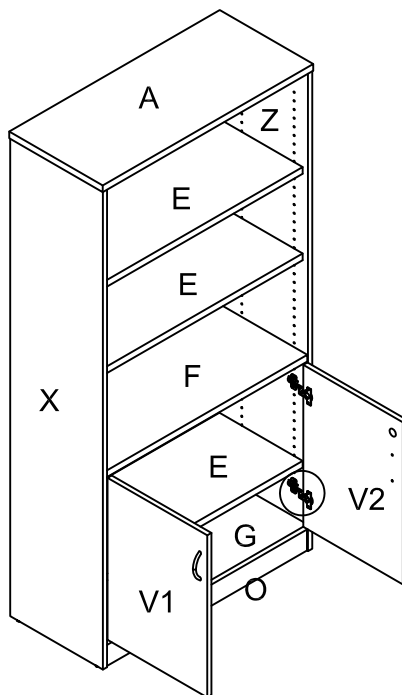
4



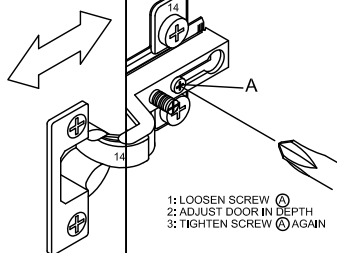
**Top panel A, Moveable shelf E assembly.**

- 1、 Insert cam bolts ① on panel A into cams on panels D,X,Z and tighten in a clockwise direction as illustrated above.
- 2、 Cover the cam covers ④ on the top of cams.
- 3、 Insert threaded dowel pins ③ into panels ,X and Z as illustrated above.
- 4、 Put the panels E on the top of threaded dowel pins ③ as illustrated above.

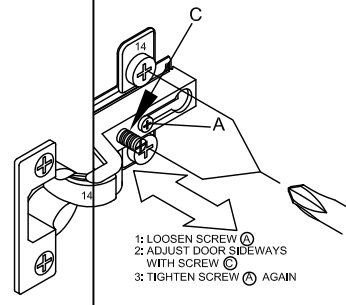
5



- 1: LOOSEN ② SCREWS
- 2: ADJUST DOOR VERTICAL
- 3: TIGHTEN ② SCREWS AGAIN



- 1: LOOSEN SCREW ①
- 2: ADJUST DOOR IN DEPTH WITH SCREW ①
- 3: TIGHTEN SCREW ① AGAIN



- 1: LOOSEN SCREW ③
- 2: ADJUST DOOR SIDEWAYS WITH SCREW ③
- 3: TIGHTEN SCREW ③ AGAIN