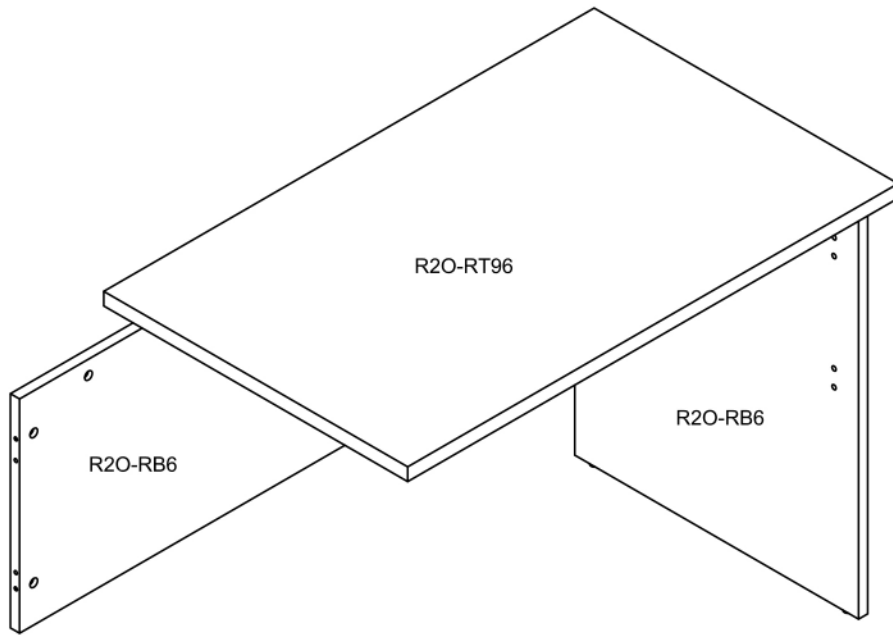



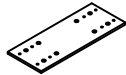


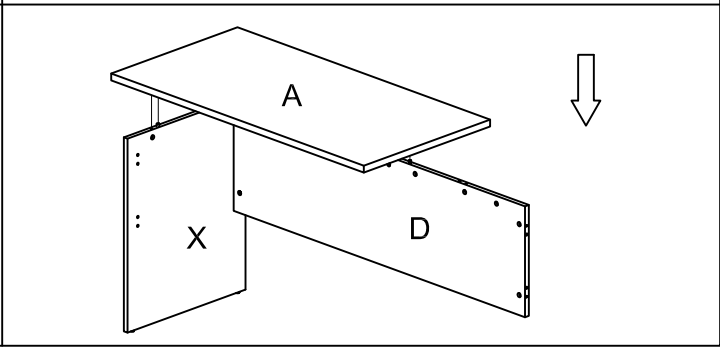
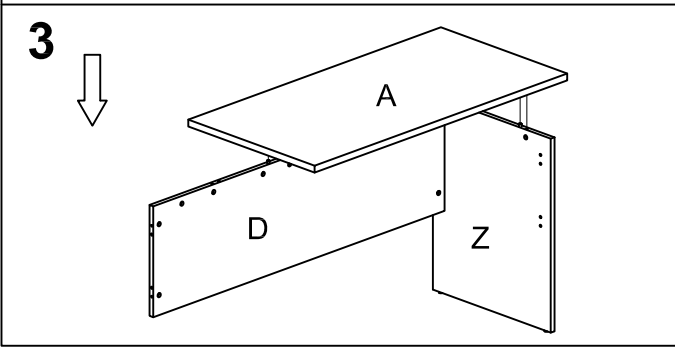
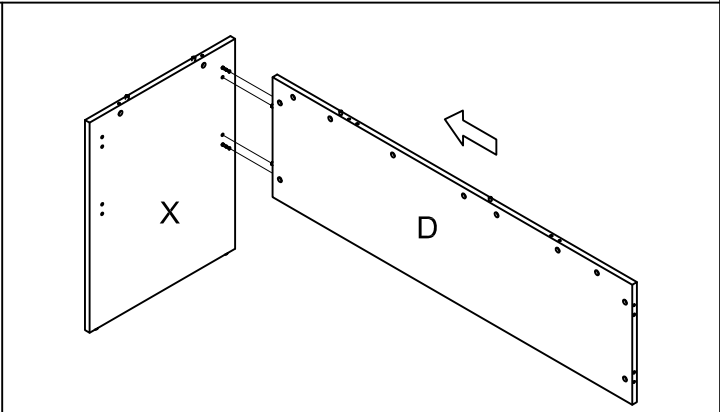
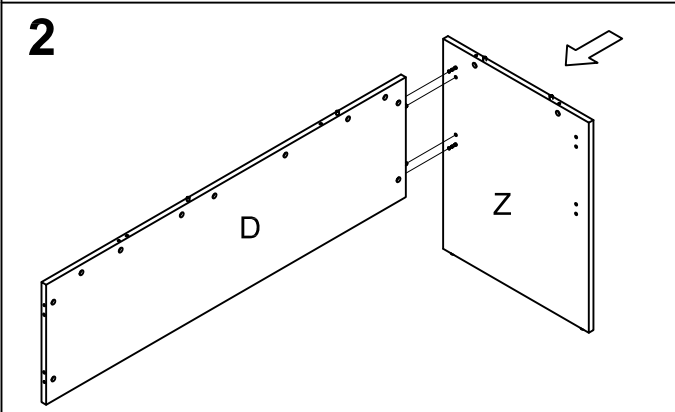
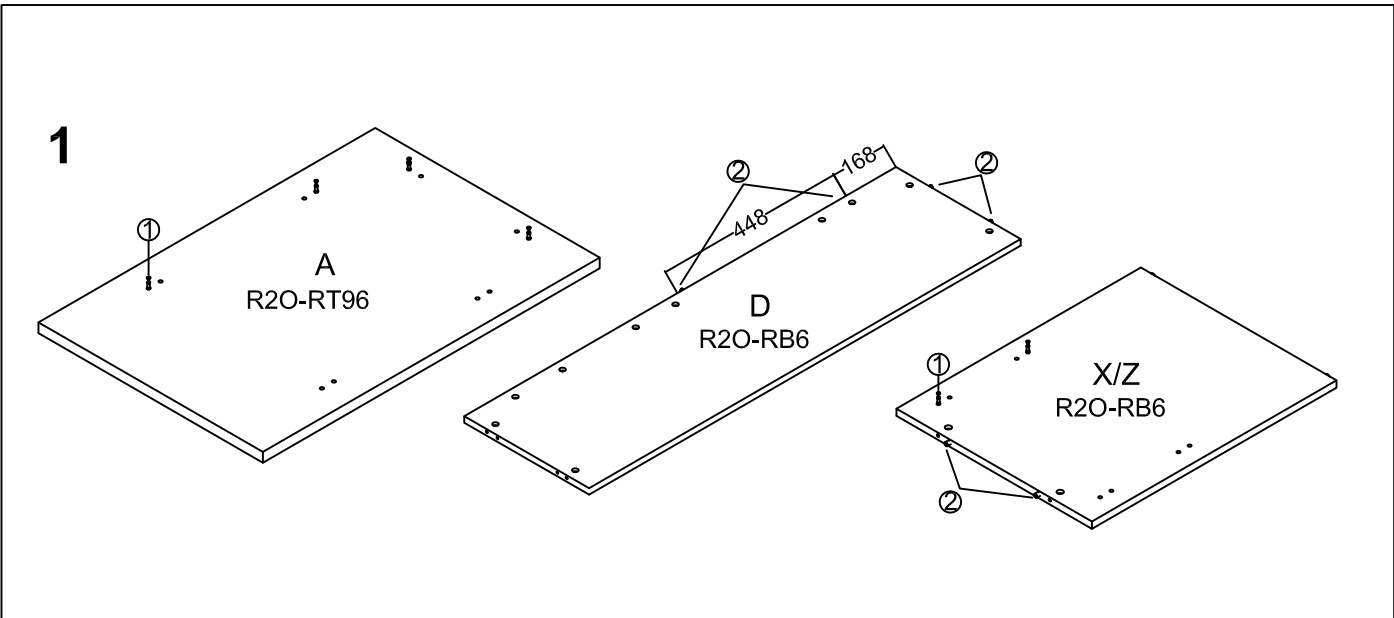
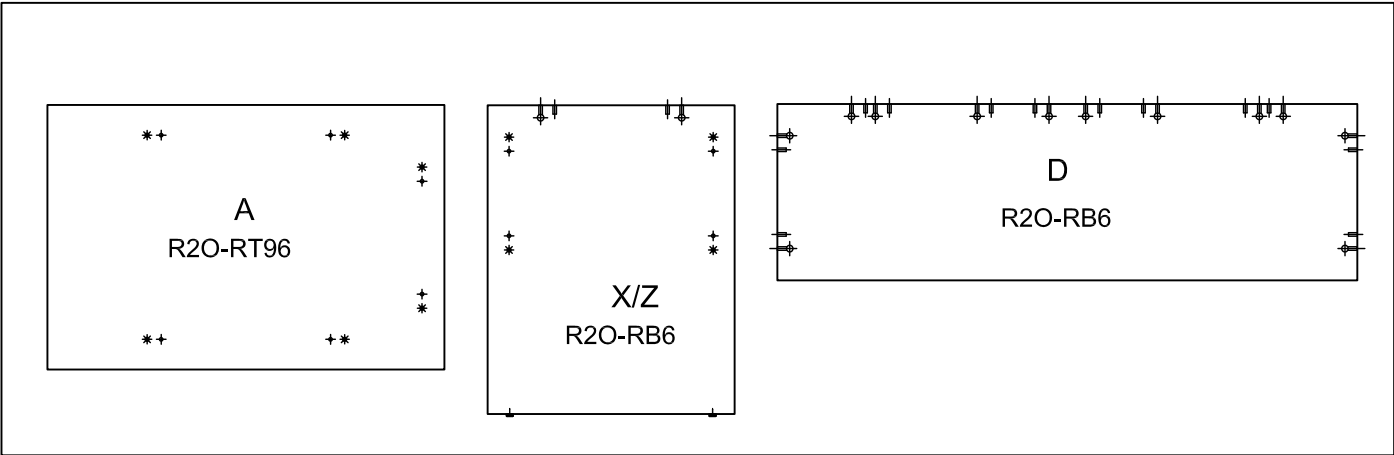


READY2GO

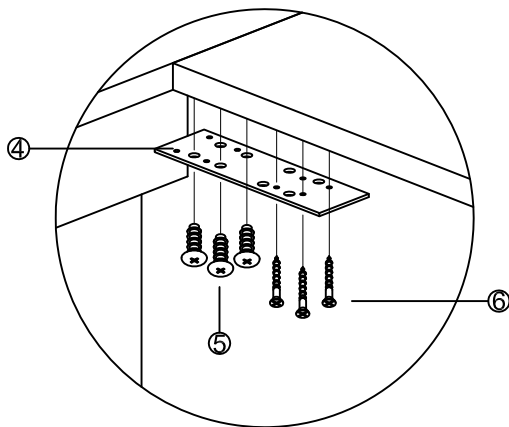
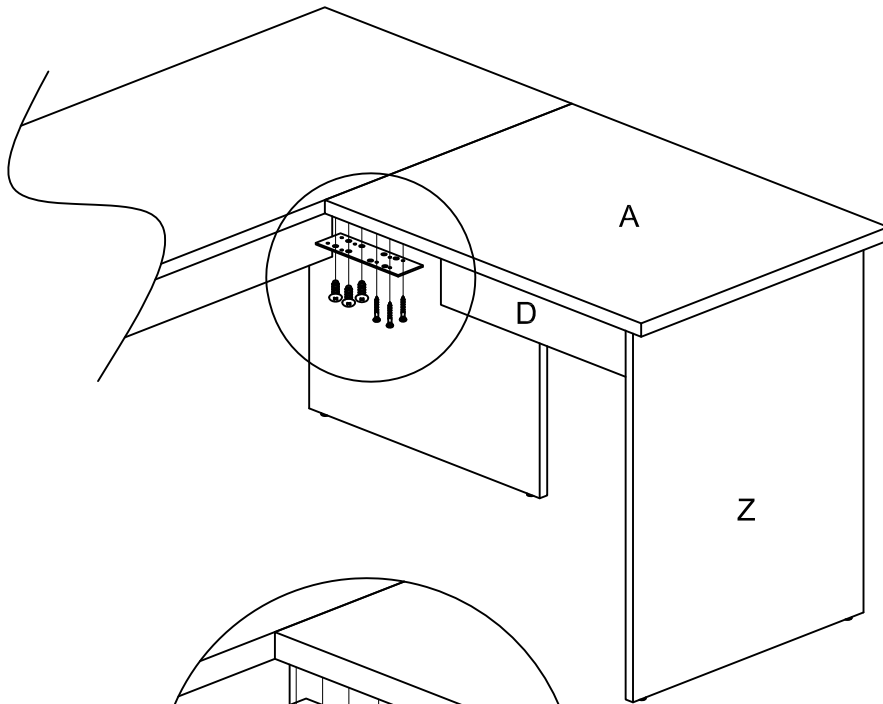
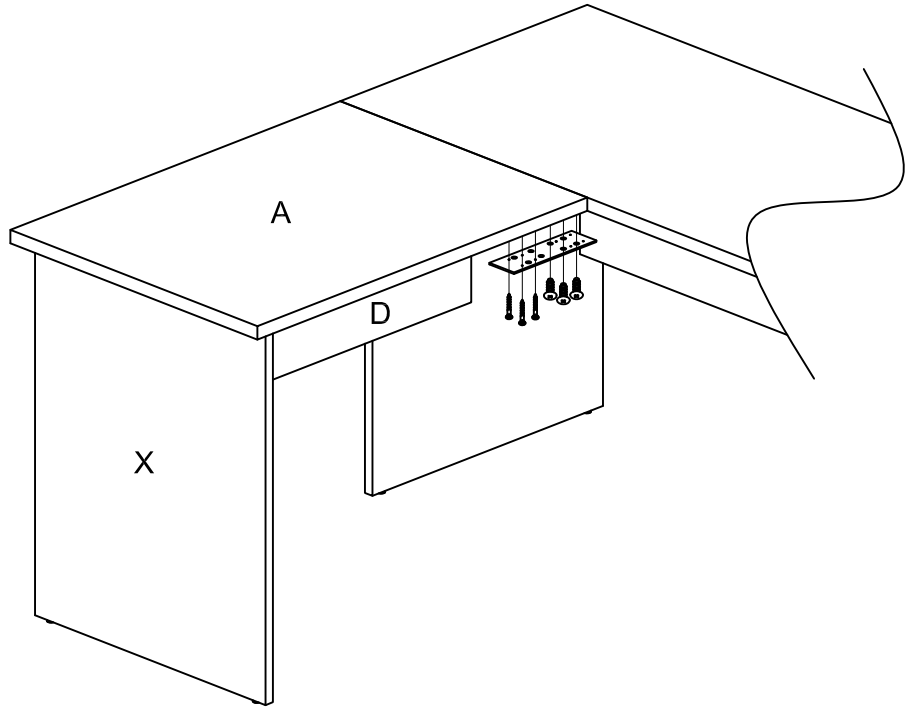
ASSEMBLY INSTRUCTIONS
R20-RE96



<p>pin 6×35</p>  <p>①</p> <p>6PCS</p>	<p>Dowel 8×30</p>  <p>②</p> <p>6PCS</p>	<p>Cam Cover</p>  <p>③</p> <p>22PCS</p>	<p>CONNECTOR</p>  <p>④</p> <p>2PCS</p>	<p>SCREW 6×12</p>  <p>⑤</p> <p>16PCS</p>	<p>SCREW 4×16</p>  <p>⑥</p> <p>16PCS</p>
------------------------------------------------------------------------------------------------------------------------	--------------------------------------------------------------------------------------------------------------------------	--------------------------------------------------------------------------------------------------------------------------	-------------------------------------------------------------------------------------------------------------------------	-----------------------------------------------------------------------------------------------------------------------------	-----------------------------------------------------------------------------------------------------------------------------

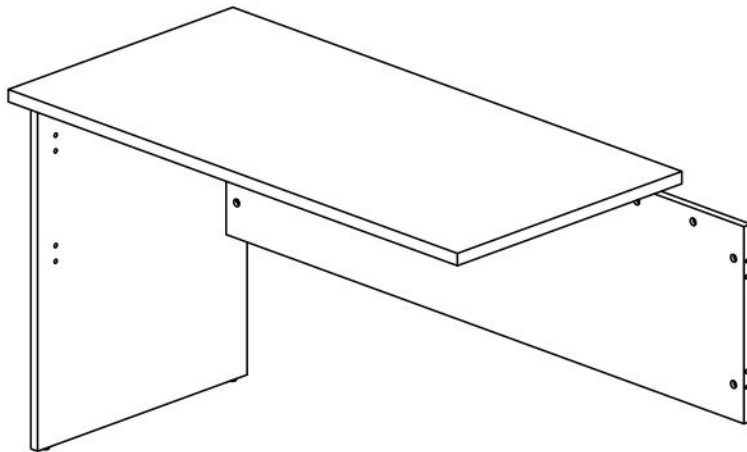


4






READY2GO

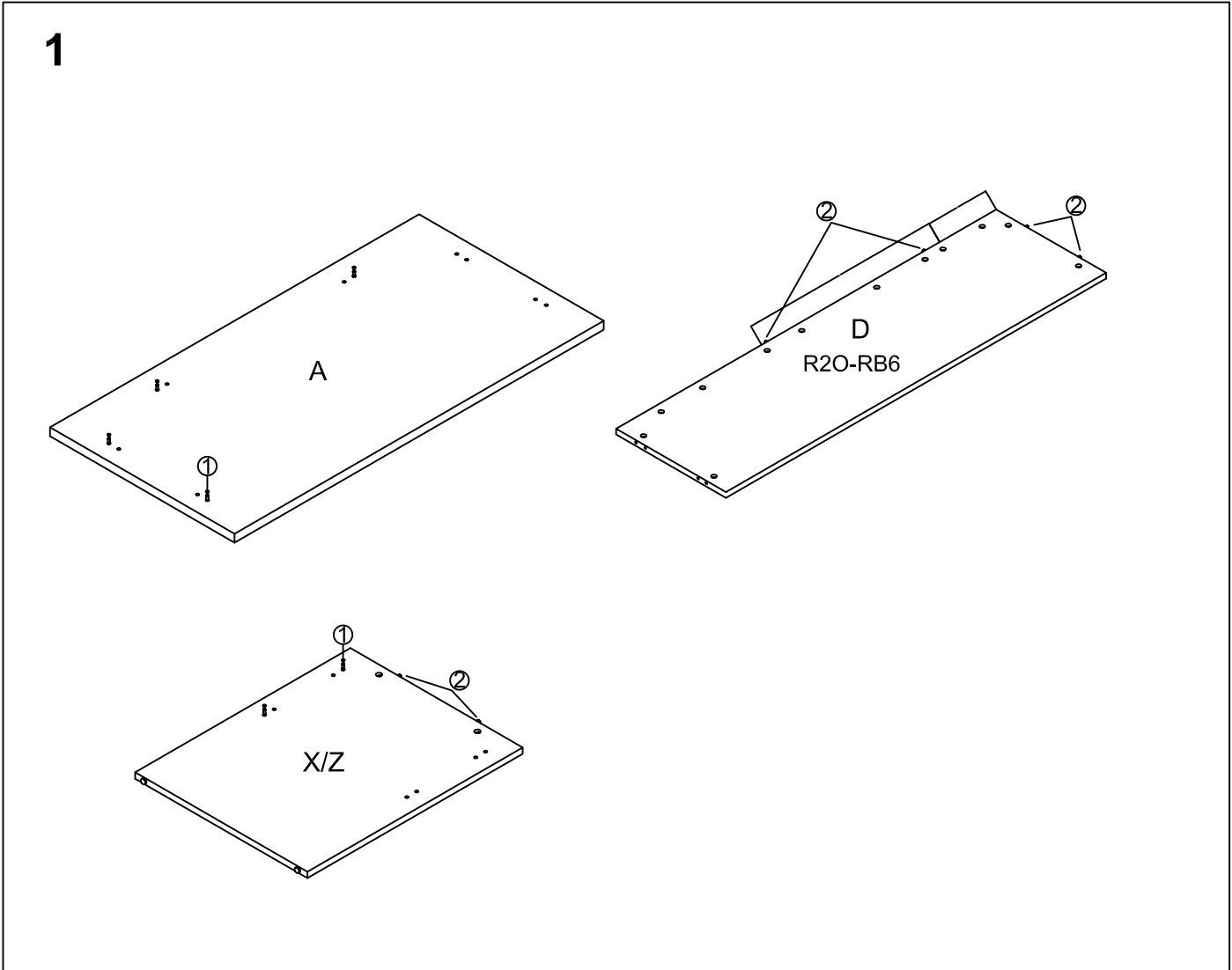
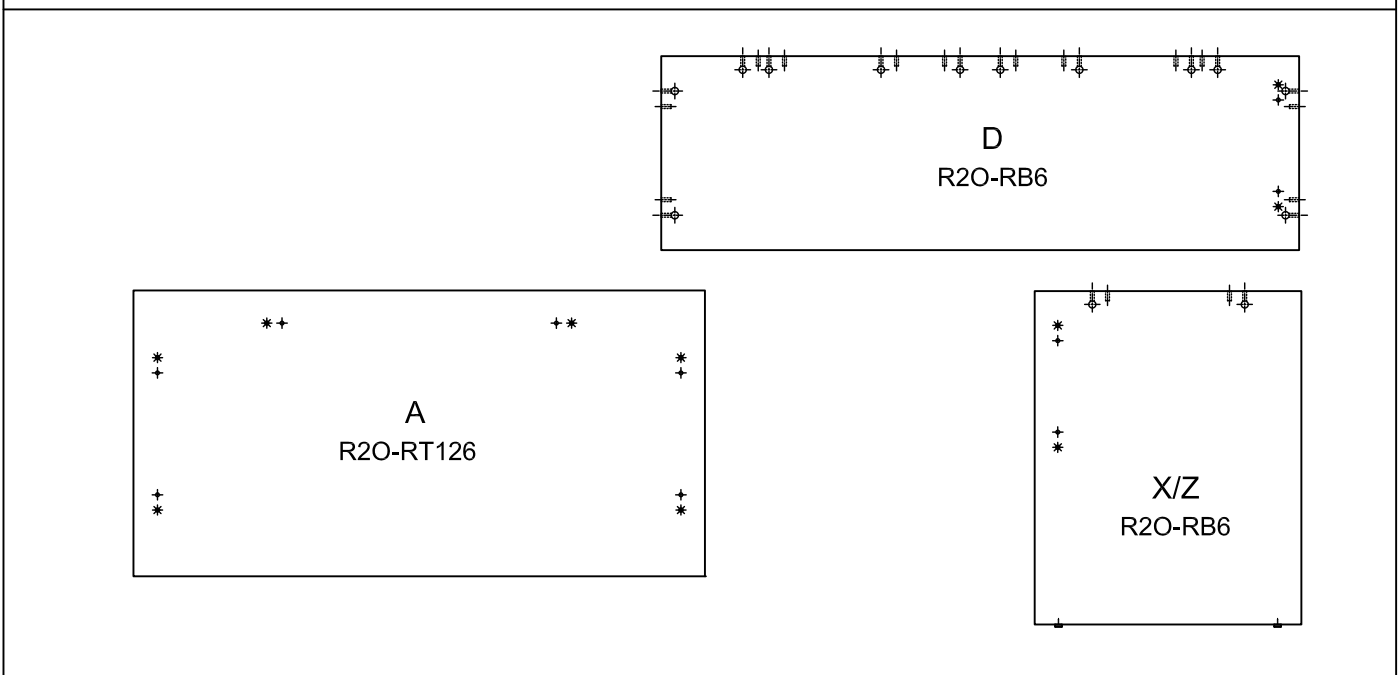
ASSEMBLY INSTRUCTIONS
R20-RE126



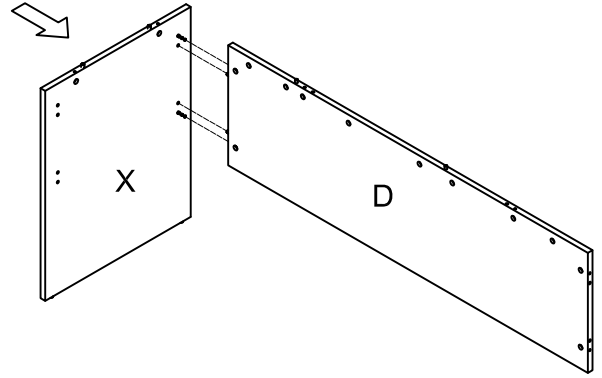
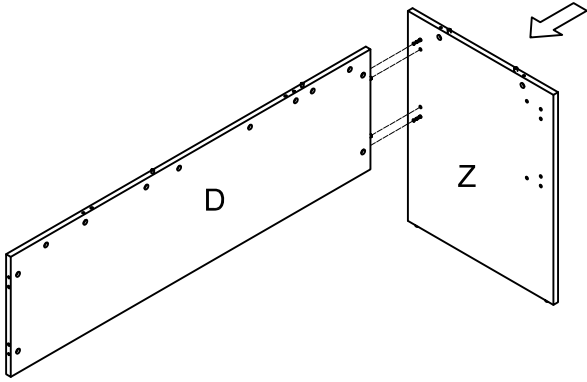
PLEASE NOTE:

THIS RETURN TOP CAN ASSEMBLE WITH METAL FRAMES. IF YOU ARE ASSEMBLING WITH METAL FRAMES, DISREGARD THESE INSTRUCTIONS AS THIS TOP CAN BE USED FOR MULTIPLE DIFFERENT METAL BASES

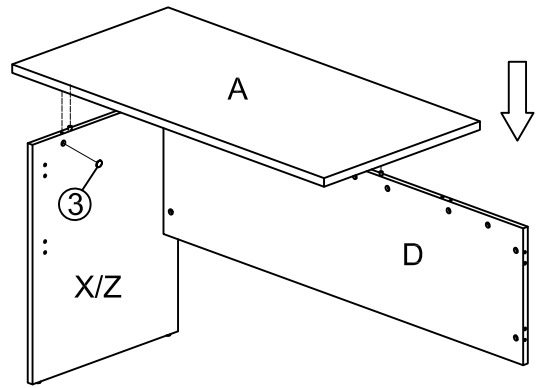
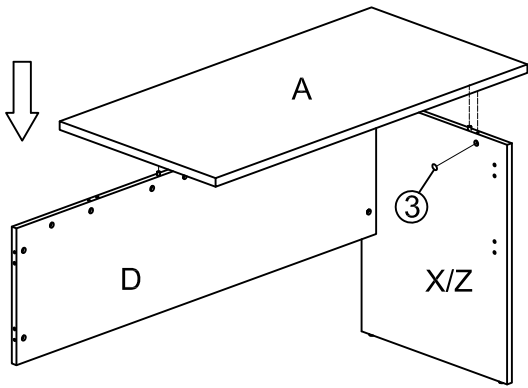
<p>pin OPTION 2 6×35 ① 6PCS</p> 	<p>Dowel 8×30 ② 6PCS</p> 	<p>Cam Cover ③ 14PCS</p> 
------------------------------------------------------------------------------------------------------------------------------------------	------------------------------------------------------------------------------------------------------------------------	--------------------------------------------------------------------------------------------------------------------



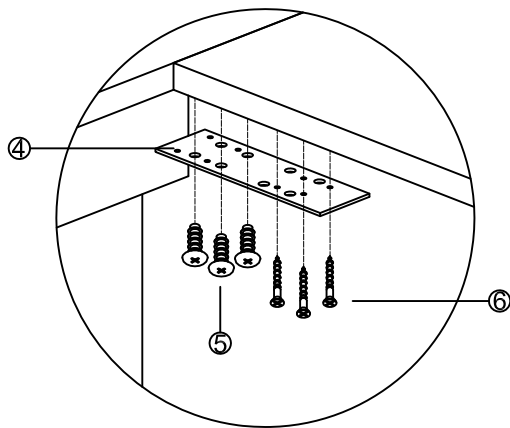
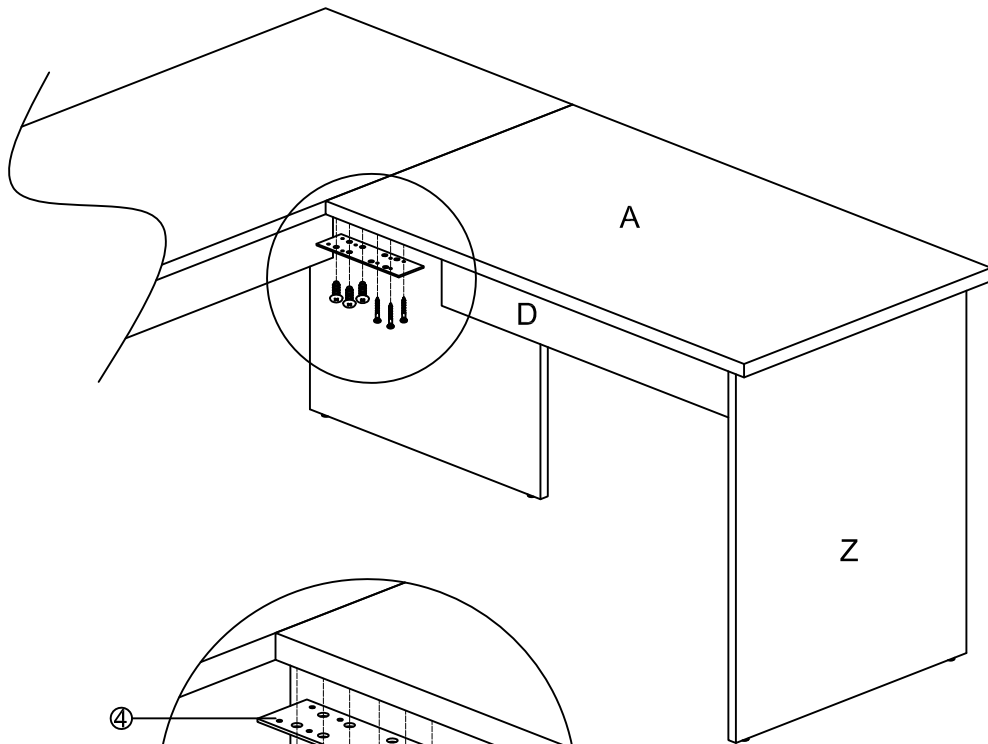
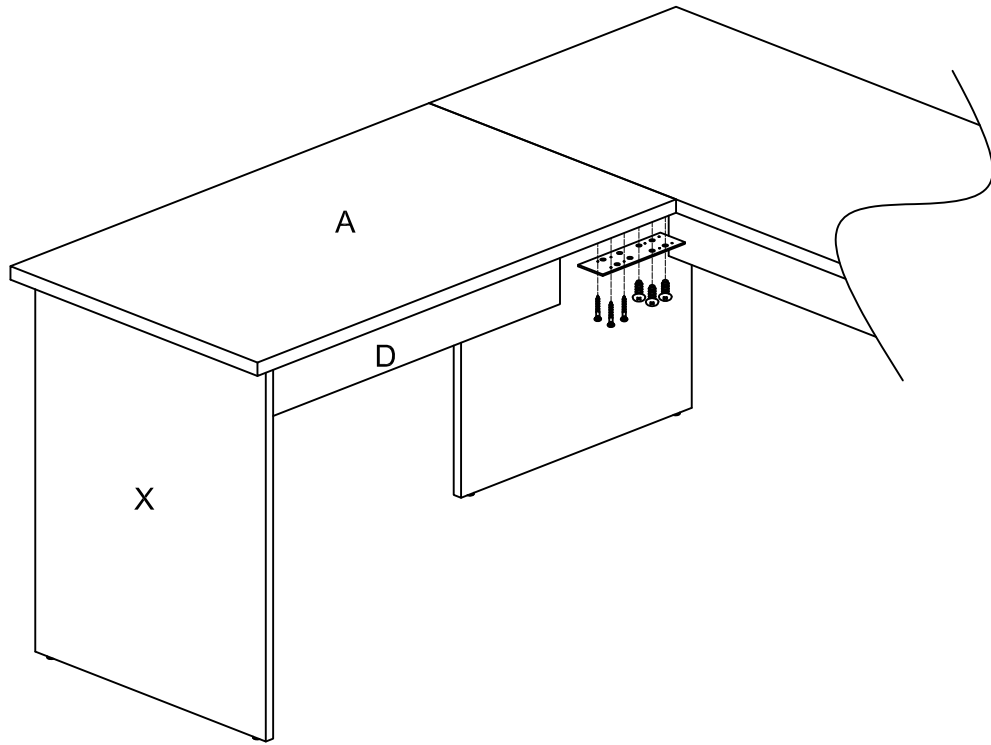
2



3

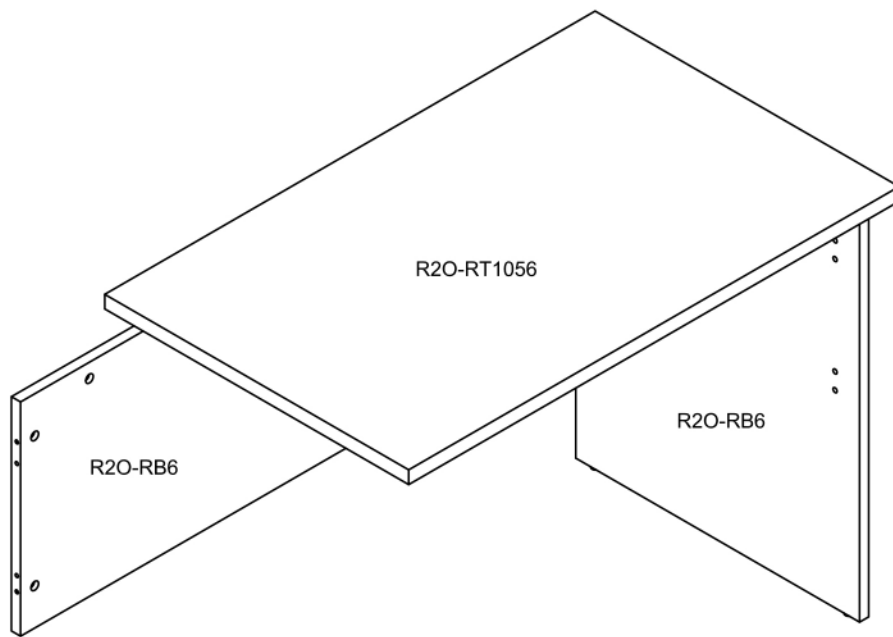





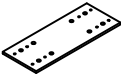


4

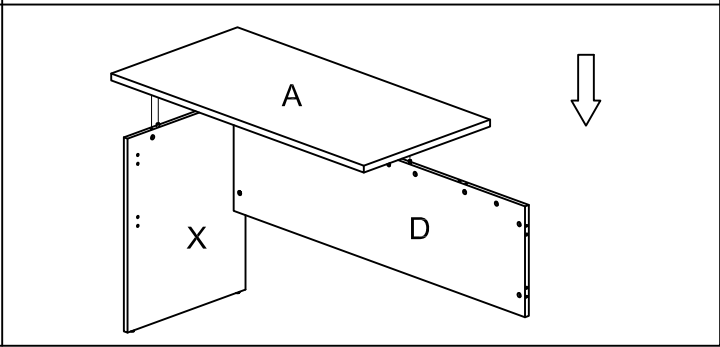
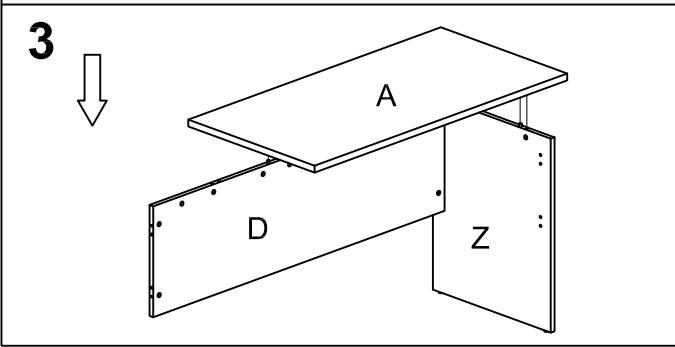
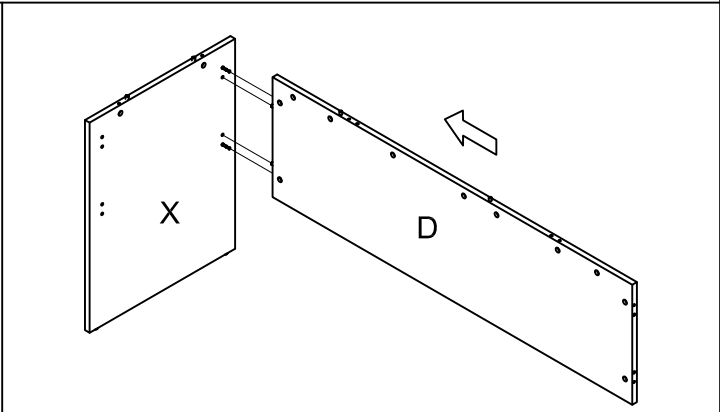
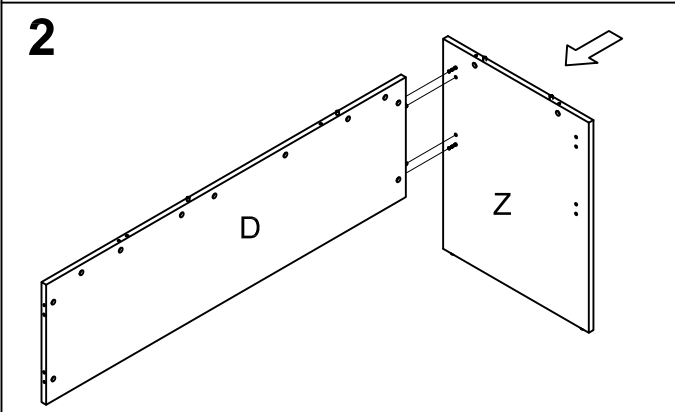
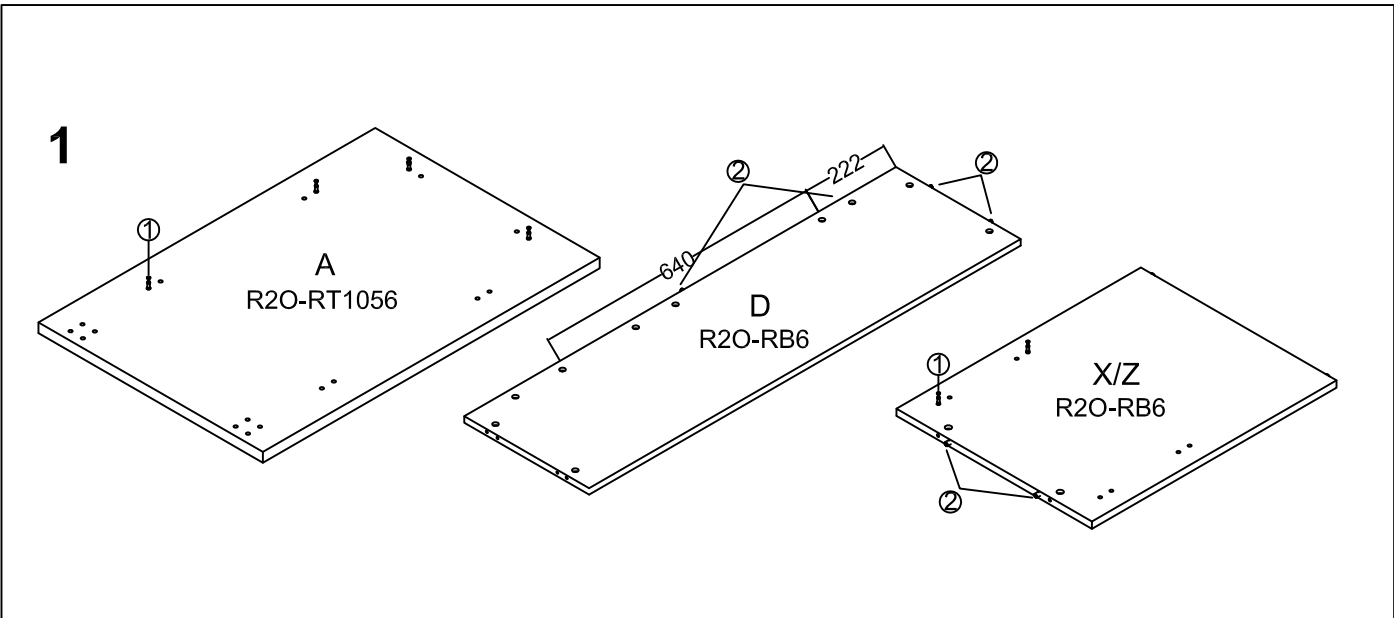
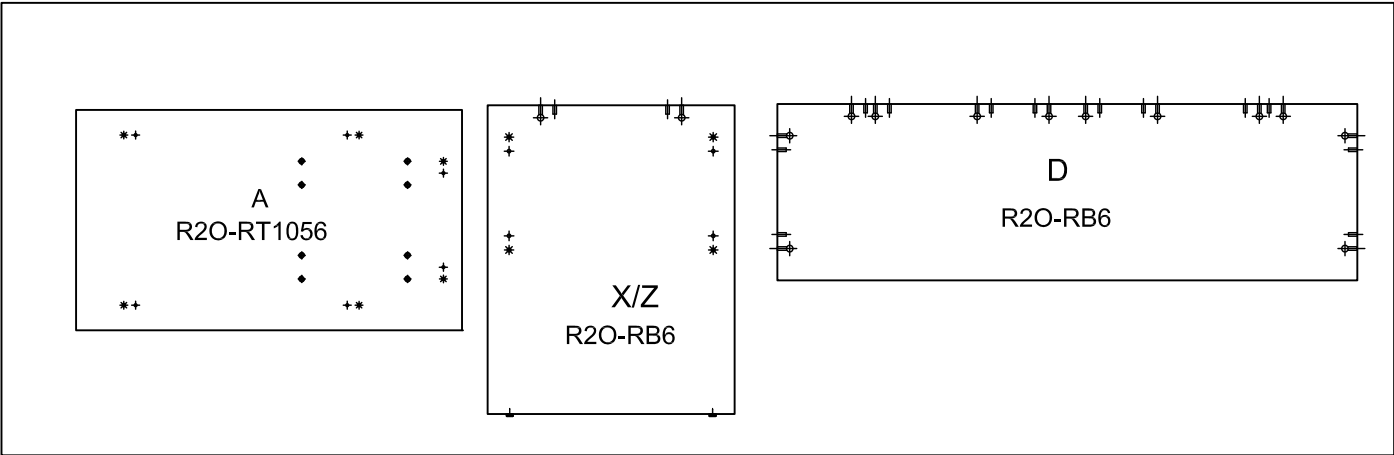


READY2GO

ASSEMBLY INSTRUCTIONS
R2O-RE1056



<p>pin 6×35</p>  <p>①</p> <p>6PCS</p>	<p>Dowel 8×30</p>  <p>②</p> <p>6PCS</p>	<p>Cam Cover</p>  <p>③</p> <p>22PCS</p>	<p>CONNECTOR</p>  <p>④</p> <p>2PCS</p>	<p>SCREW 6×12</p>  <p>⑤</p> <p>16PCS</p>	<p>SCREW 4×16</p>  <p>⑥</p> <p>16PCS</p>
------------------------------------------------------------------------------------------------------------------------	--------------------------------------------------------------------------------------------------------------------------	--------------------------------------------------------------------------------------------------------------------------	-------------------------------------------------------------------------------------------------------------------------	-----------------------------------------------------------------------------------------------------------------------------	-----------------------------------------------------------------------------------------------------------------------------



4

