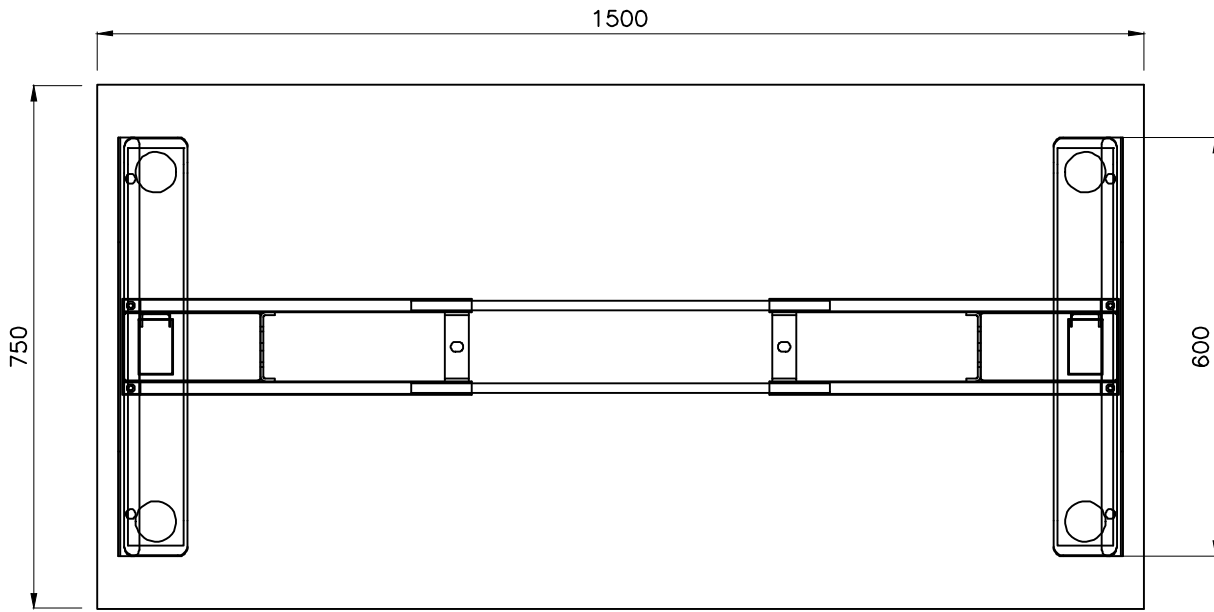


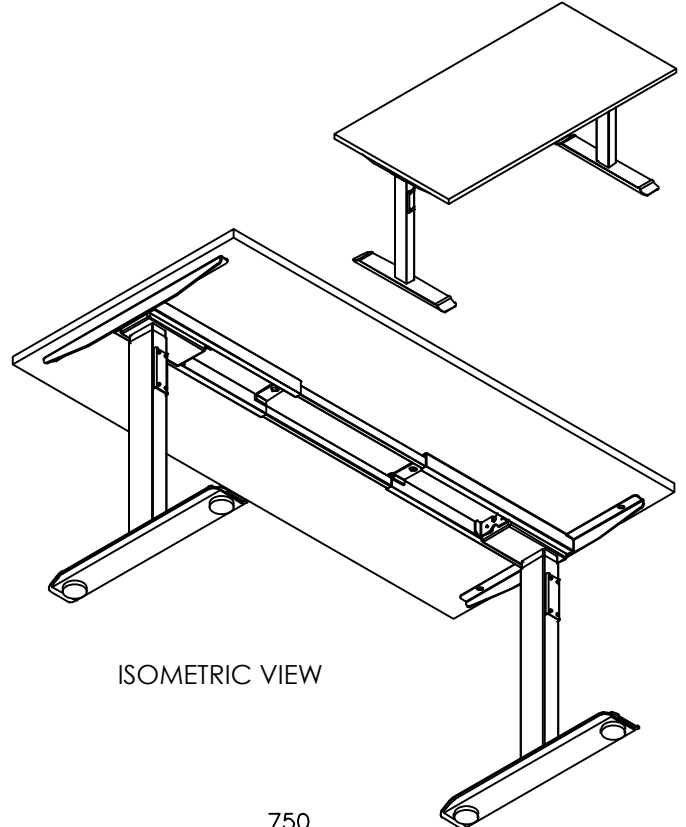
--

PRODUCT CODE: EDE-ECO-S-157 Rectangular Leg ASSEMBLED SIZE: 1500L X 750W
---

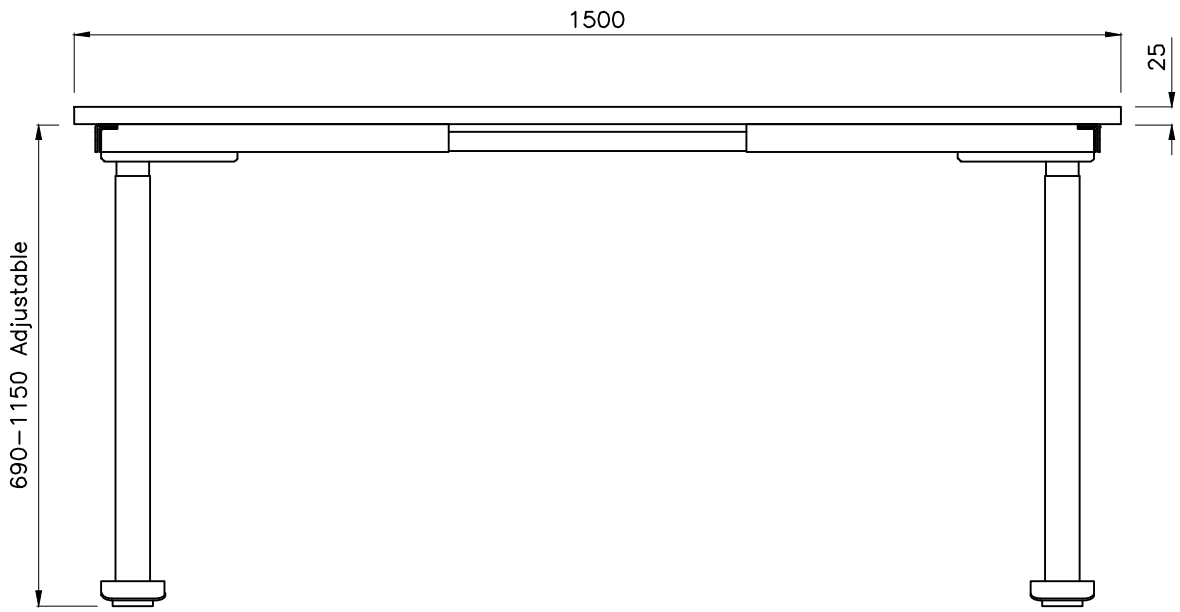
REMARKS: w/o Cable tray
----------------------------



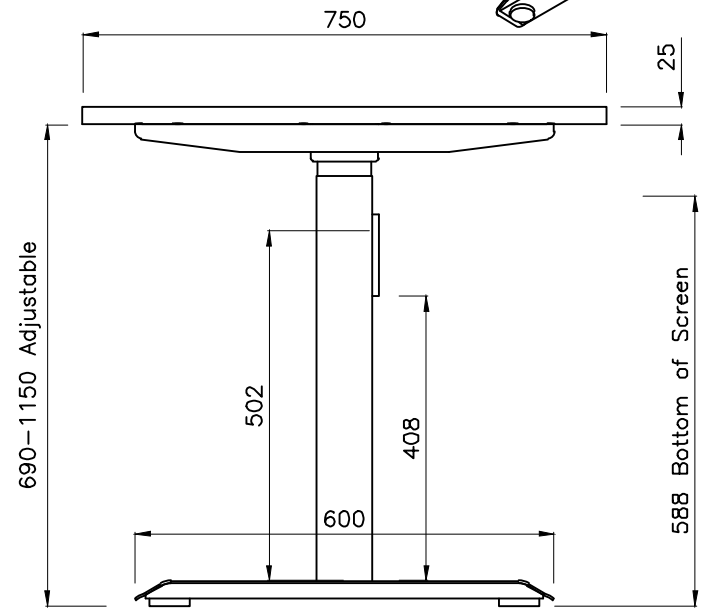
TOP VIEW



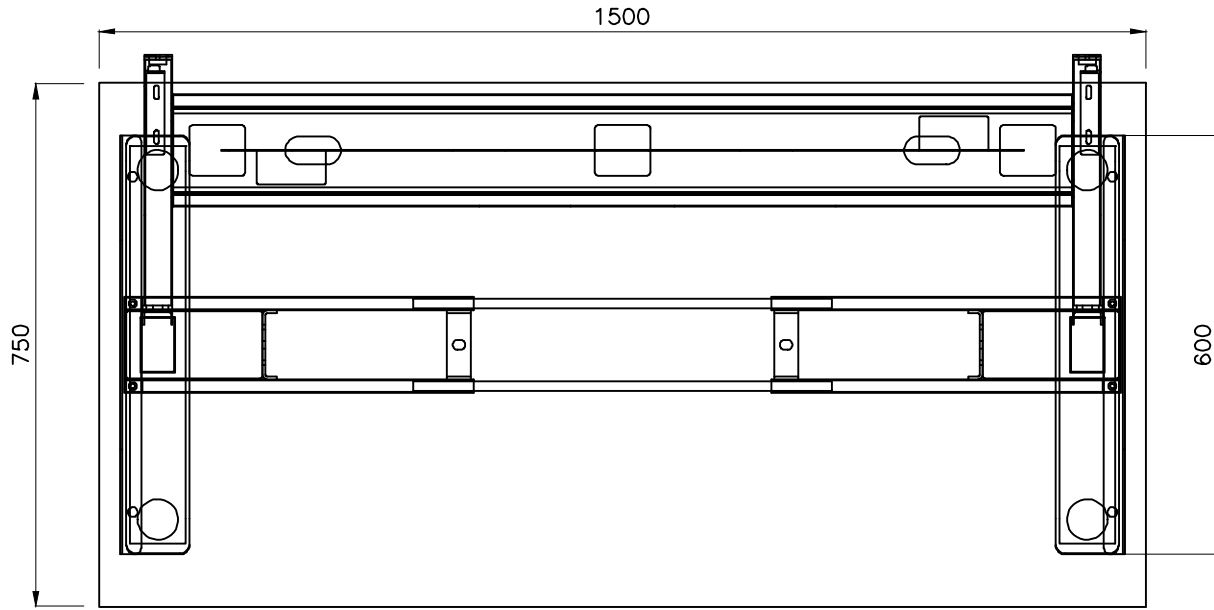
ISOMETRIC VIEW



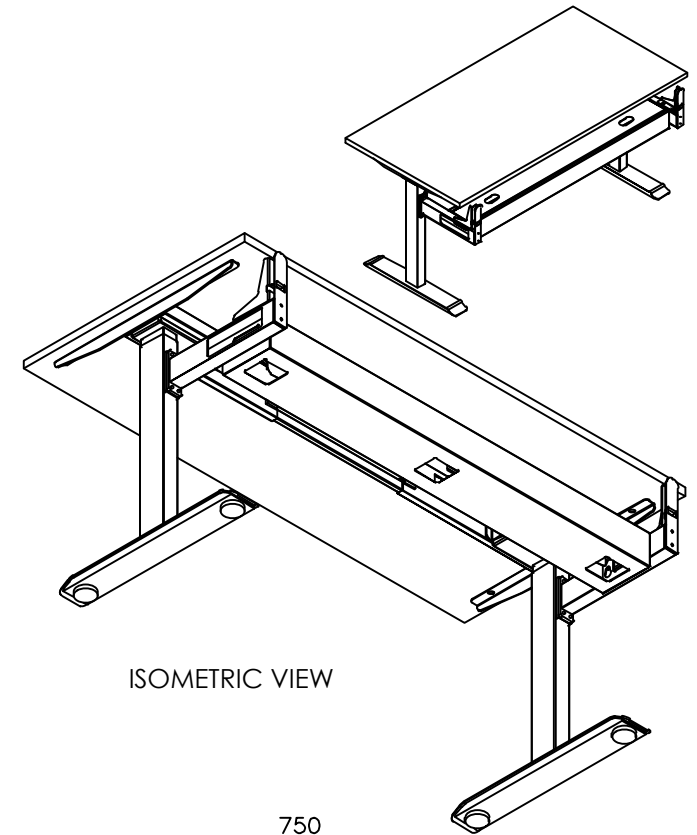
FRONT VIEW



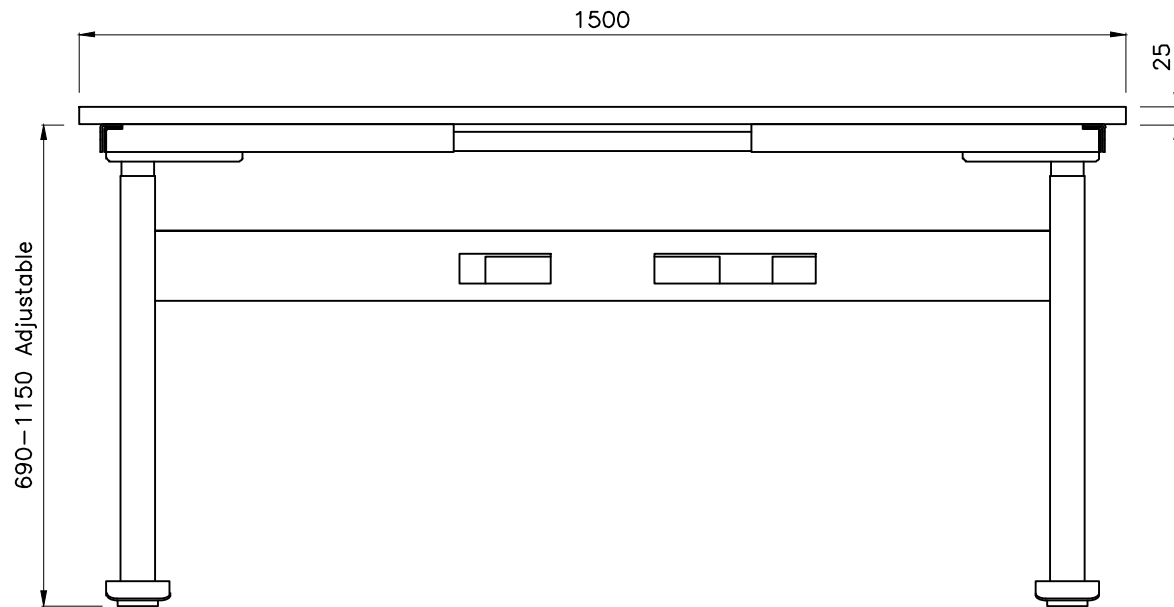
SIDE VIEW



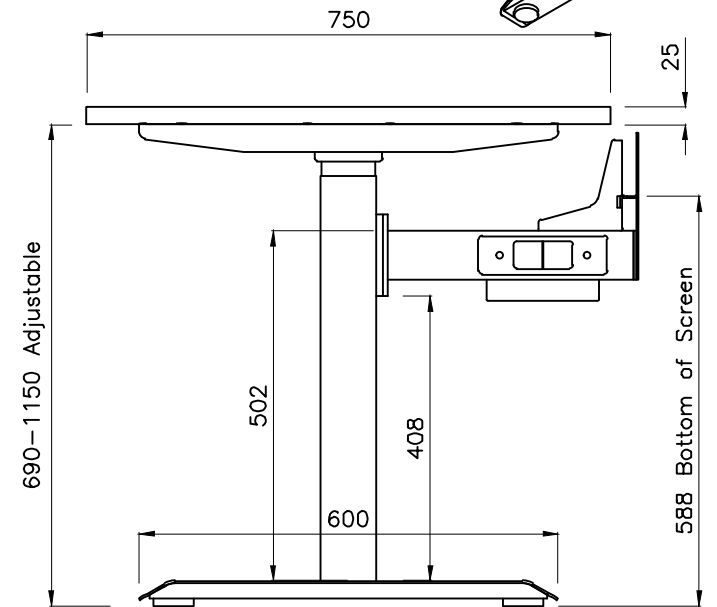
TOP VIEW



ISOMETRIC VIEW



FRONT VIEW



SIDE VIEW

PRODUCT CODE: EDE-ECO-S-157

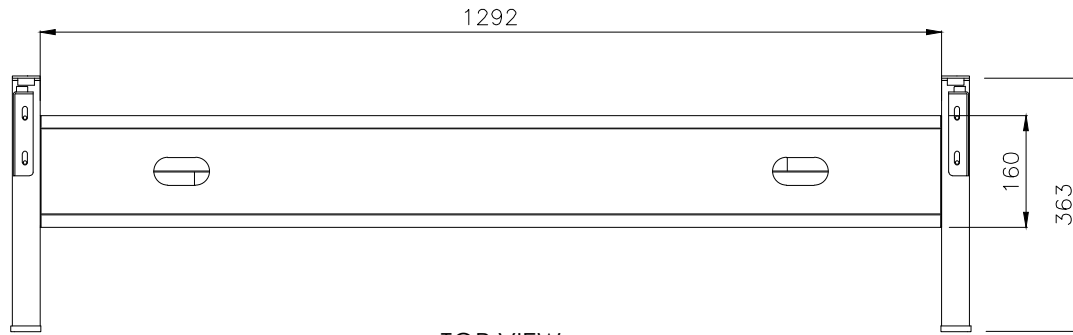
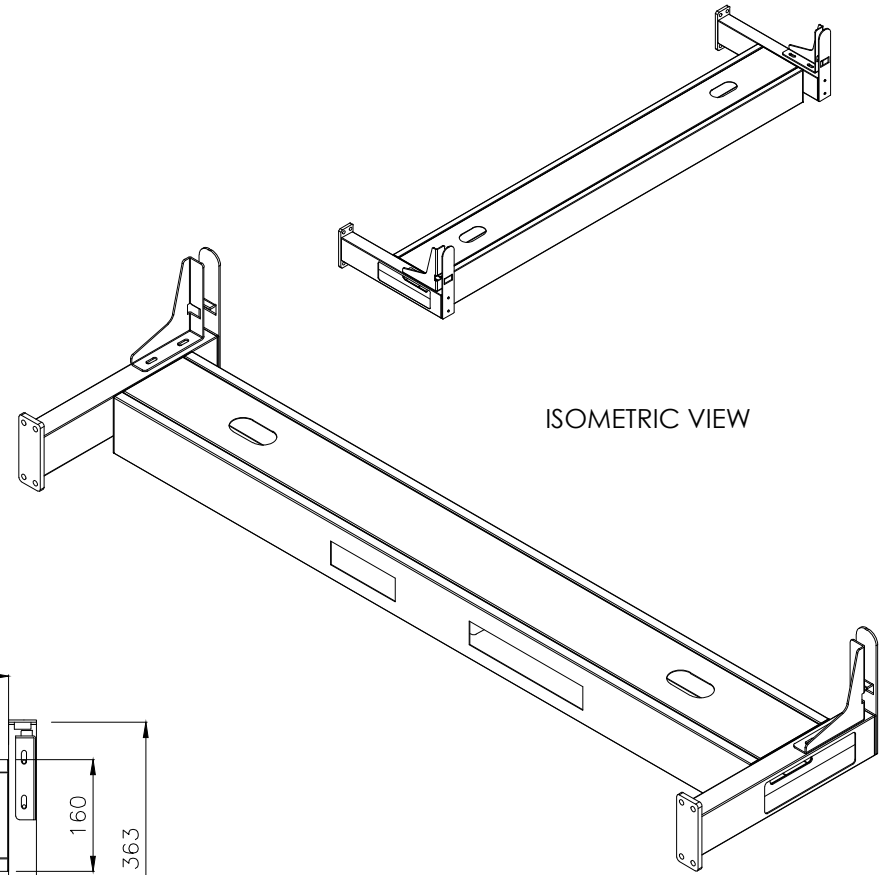
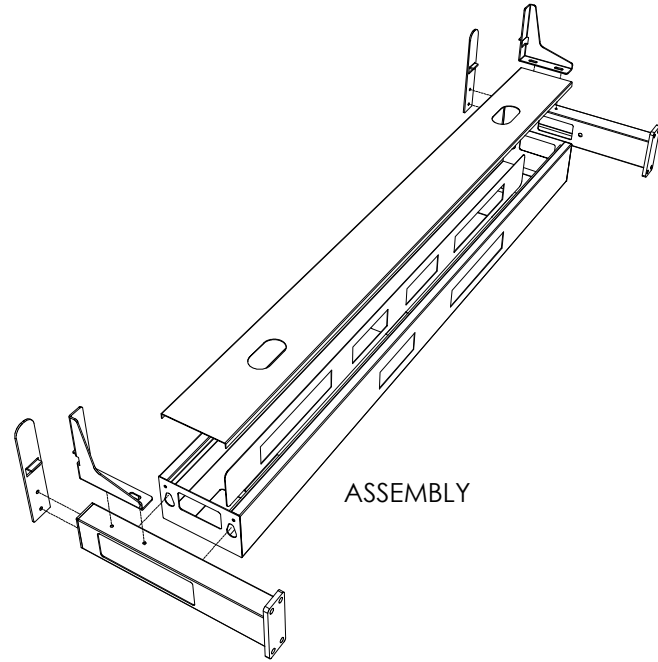
Rectangular Leg

ASSEMBLED SIZE:

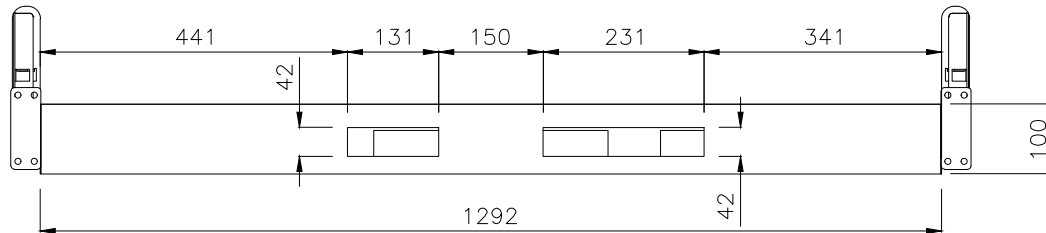
1500L X 750W

REMARKS:

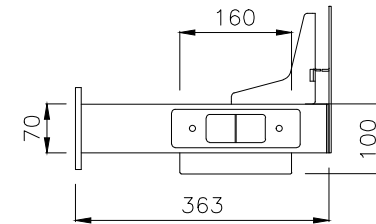
with Cable tray



TOP VIEW



FRONT VIEW



SIDE VIEW

PRODUCT CODE:  
EDR-ARM+TRAY

ASSEMBLED SIZE:  
-

REMARKS:  
-