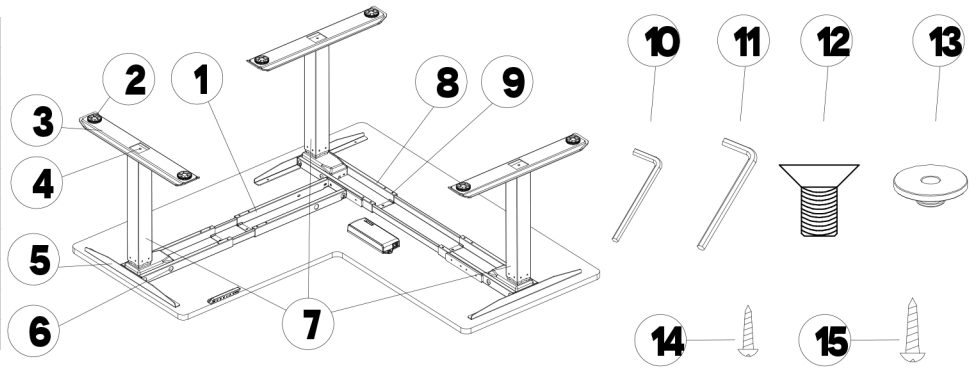


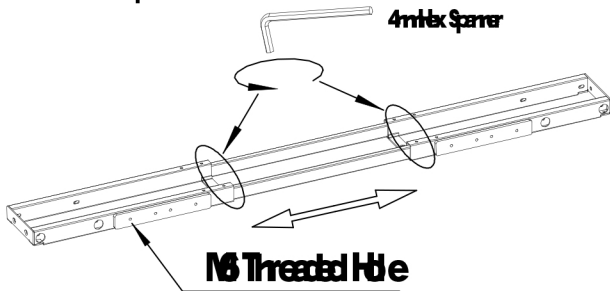
# ASSEMBLY INSTRUCTIONS - ED3

Parts and Tools list

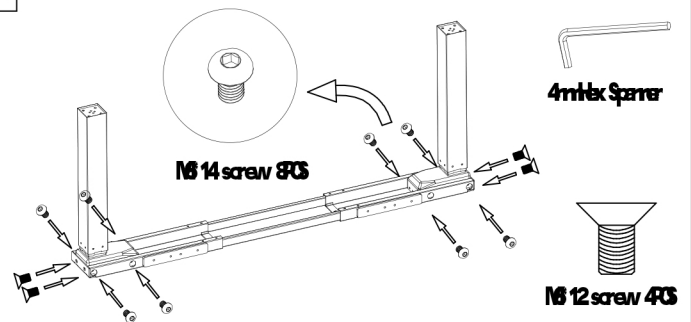
ID	Mtr	Qty	ID	Mtr	Qty
1	Support Beam	1	11	5mm Hex Spanner	1
2	Foot Pad	6	12	M6 12 Screw	12
3	Foot Margin	3	13	Rubber Cushion	10
4	M6 16 Screw	12	14	S13 S 19 Screw	2
5	Bracket	3	15	S14 S 19 Screw	12
6	M6 14 Screw	12			
7	Lifting System 1set				
8	Support Beam	1			
9	M6 10 Screw	13			
10	4mm Hex Spanner	1			



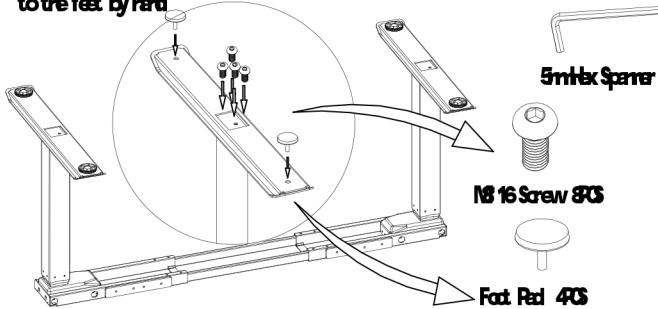
**1** Loosen the 4 screws of beam using 4mm hex spanner, adjust the beam to proper position to fit the desktop



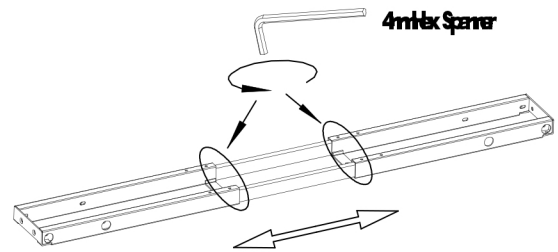
**2** Attach leg to the beam using 8 of M6 14 screw and 4 of M6 12 screw



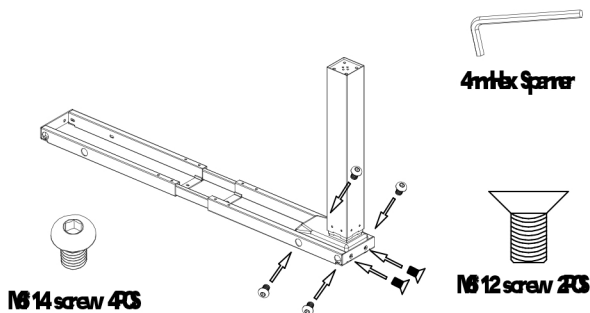
**3** Attach feet to the leg using 8 of M6 16 screw, attach the 4 of leading foot pad to the feet by hand



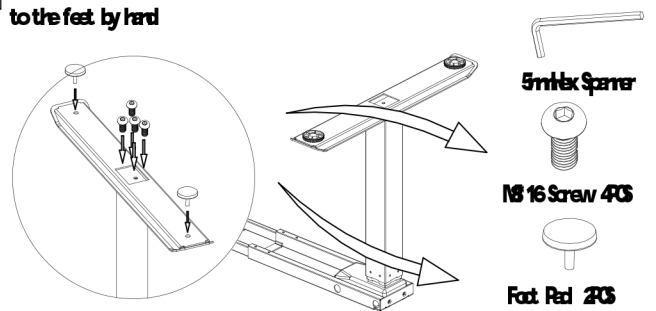
**4** Loosen the 4 screws of beam using 4mm hex spanner, adjust the beam to proper position to fit the desktop



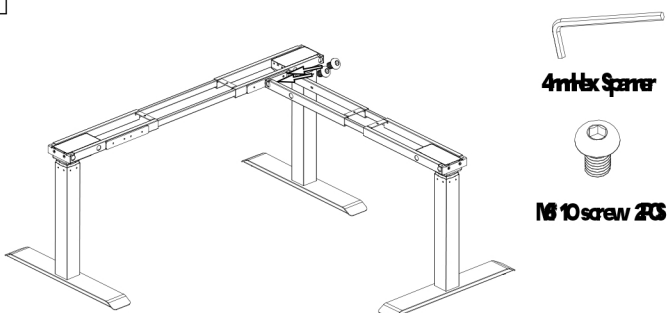
**5** Attach leg to the beam using 4 of M6 14 screw and 2 of M6 12 screw



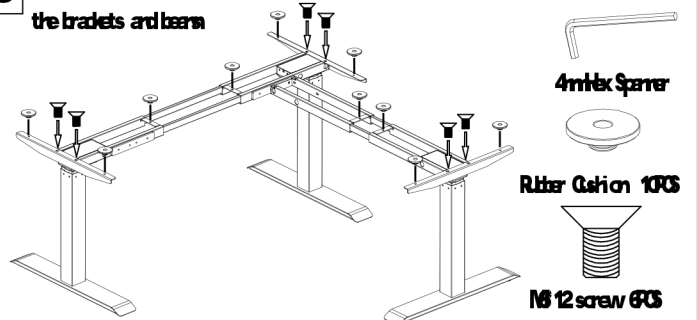
**6** Attach feet to the leg using 4 of M6 16 screw, attach the 2 of leading foot pad to the feet by hand



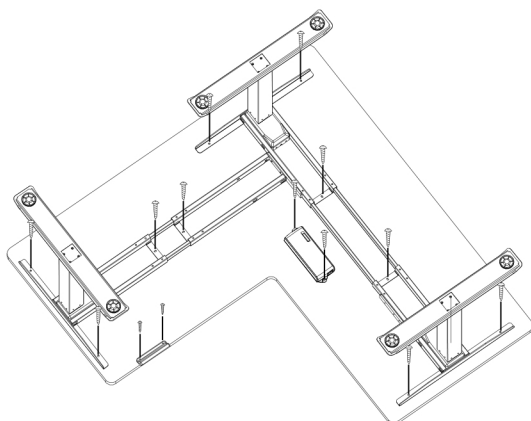
**7** Attach the beam to the beam using 2 of M6 10 screw



**8** Attach brackets to beams using 6 of M6 12 screw and then fit the rubber cushions to the brackets and beams



**9** Attach the control box to the underside of the desk top using 12 of ST48 self-tapping screw, attach handset to the underside of desk top using 2 of ST35 self-tapping screw



**10** Connect the control box to the handset and to the motor

