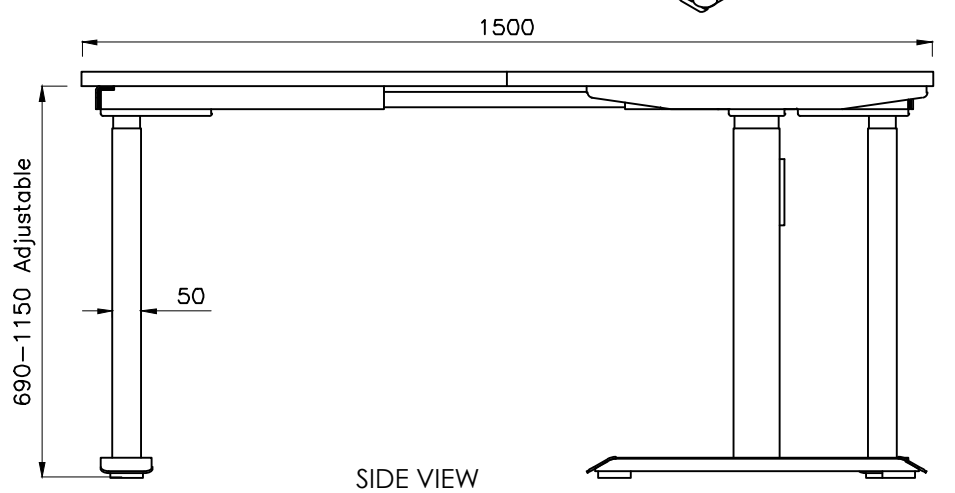
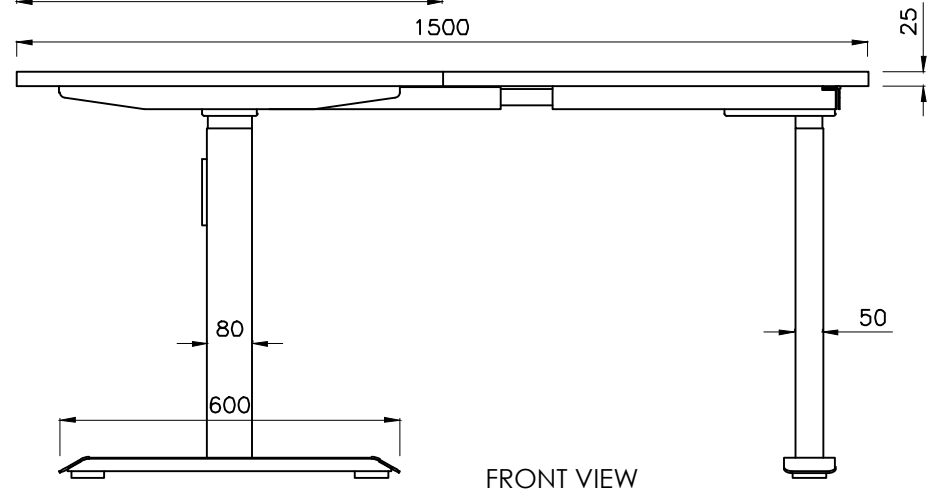
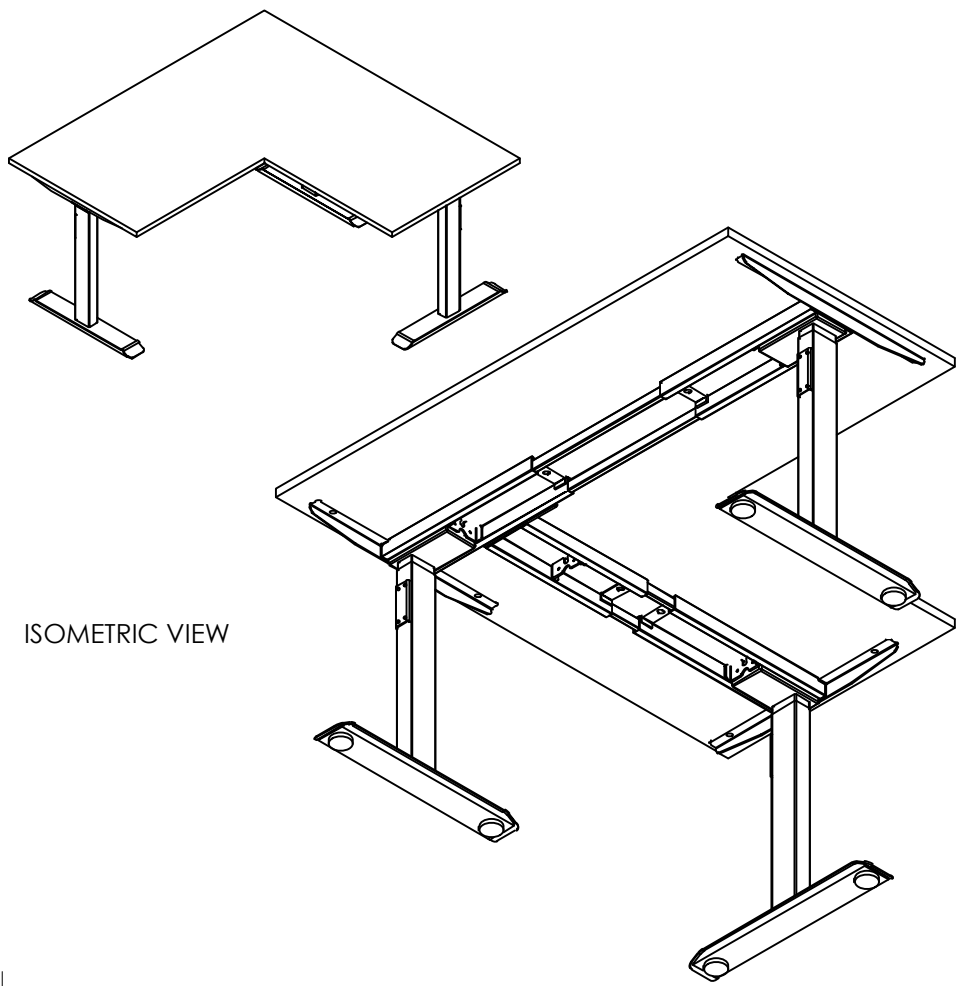
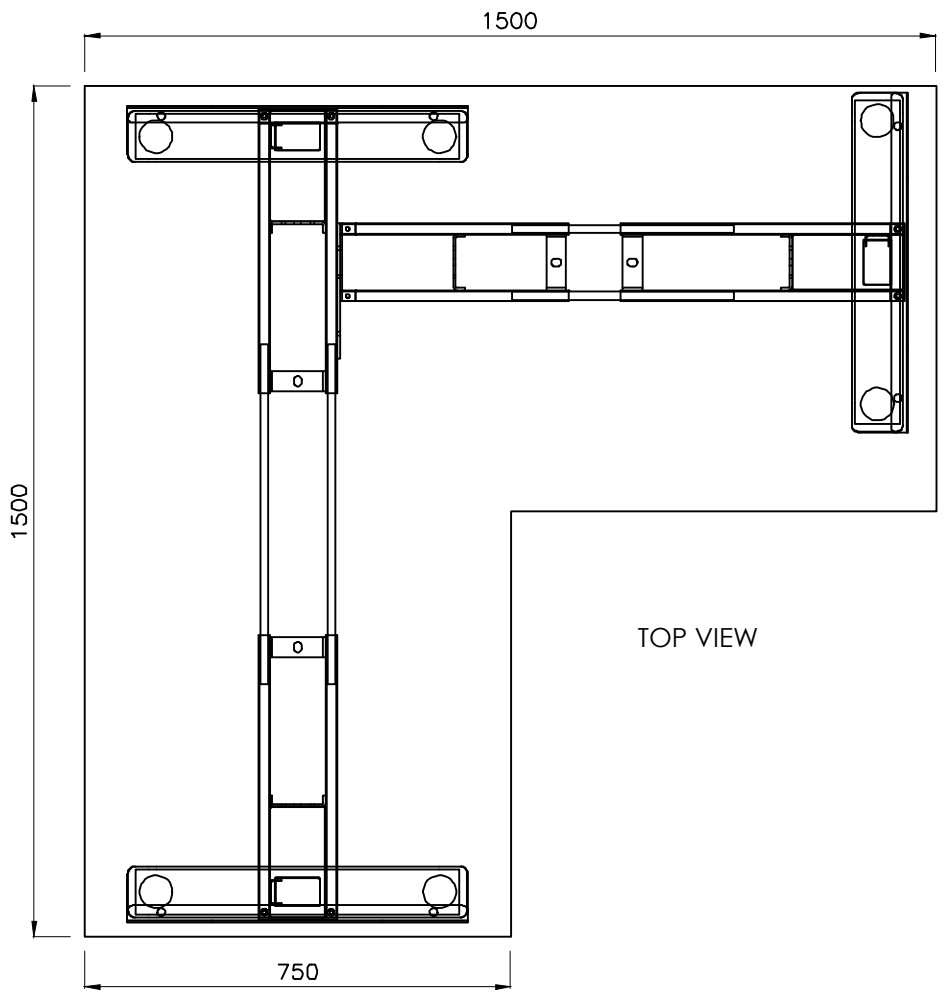
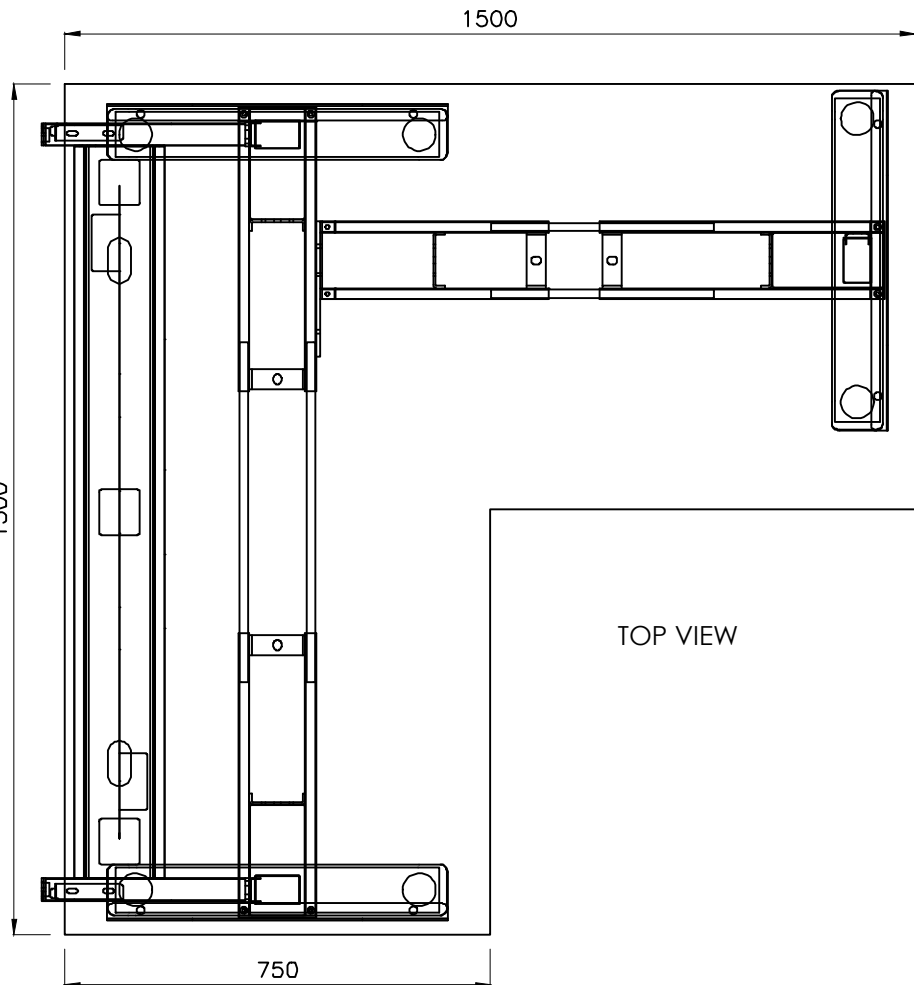


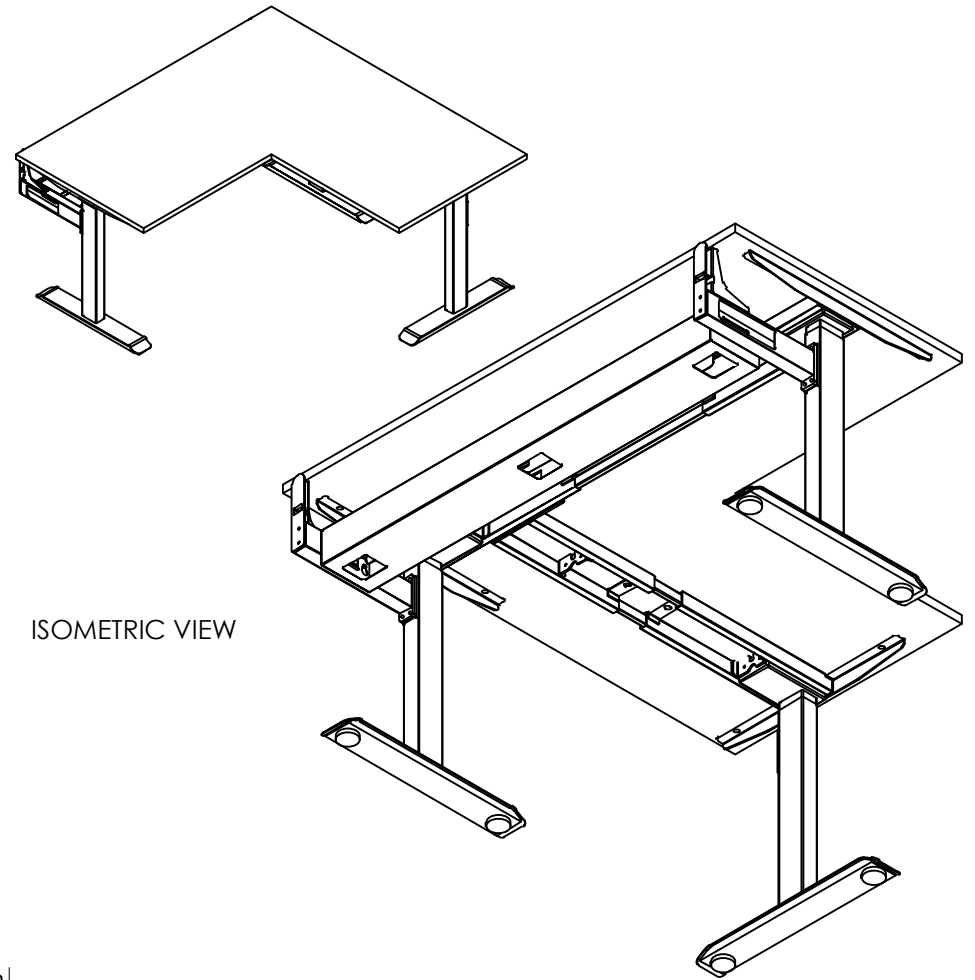
PRODUCT CODE: EDE-ECO-WS-157  
ASSEMBLED SIZE: 1500L X 750W

REMARKS: w/o Cable tray

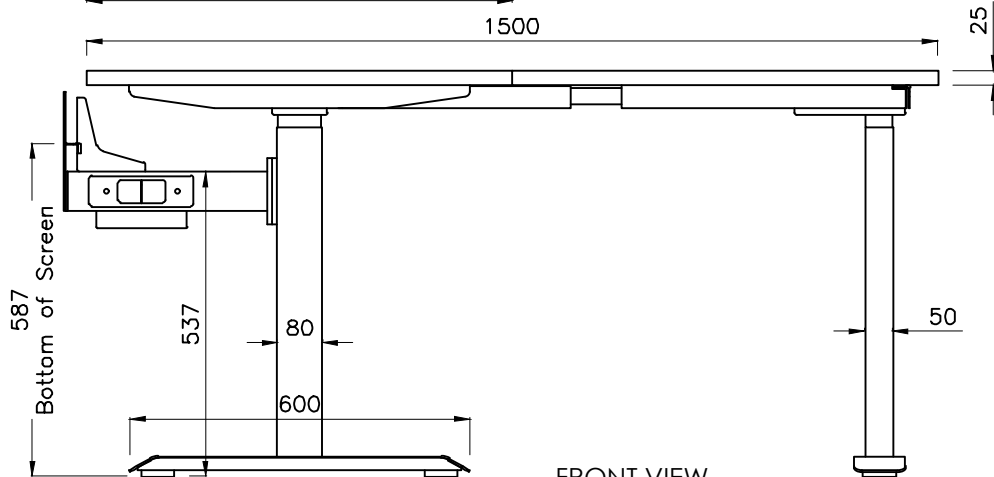




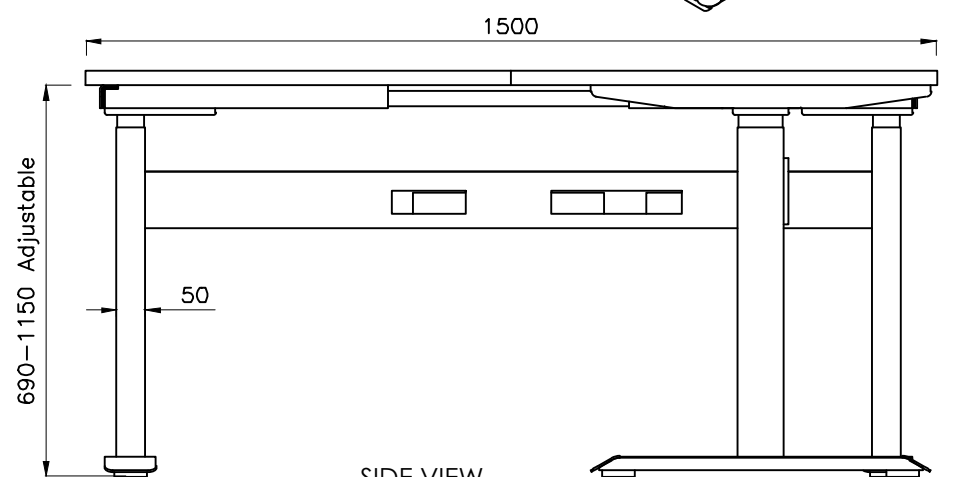
TOP VIEW



ISOMETRIC VIEW



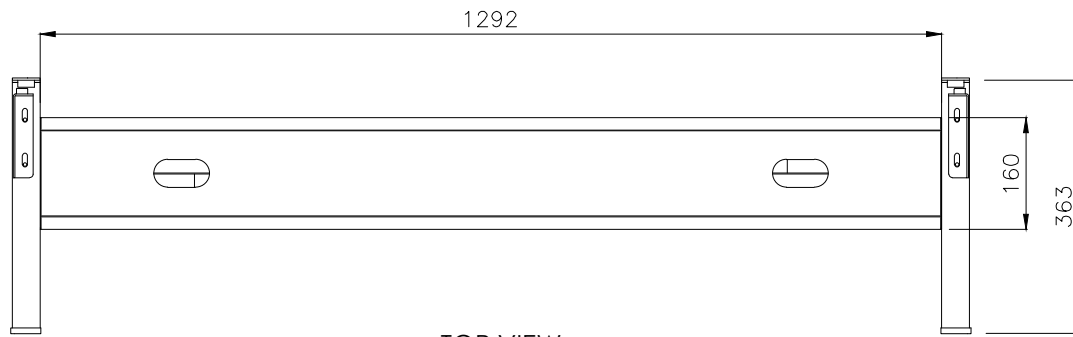
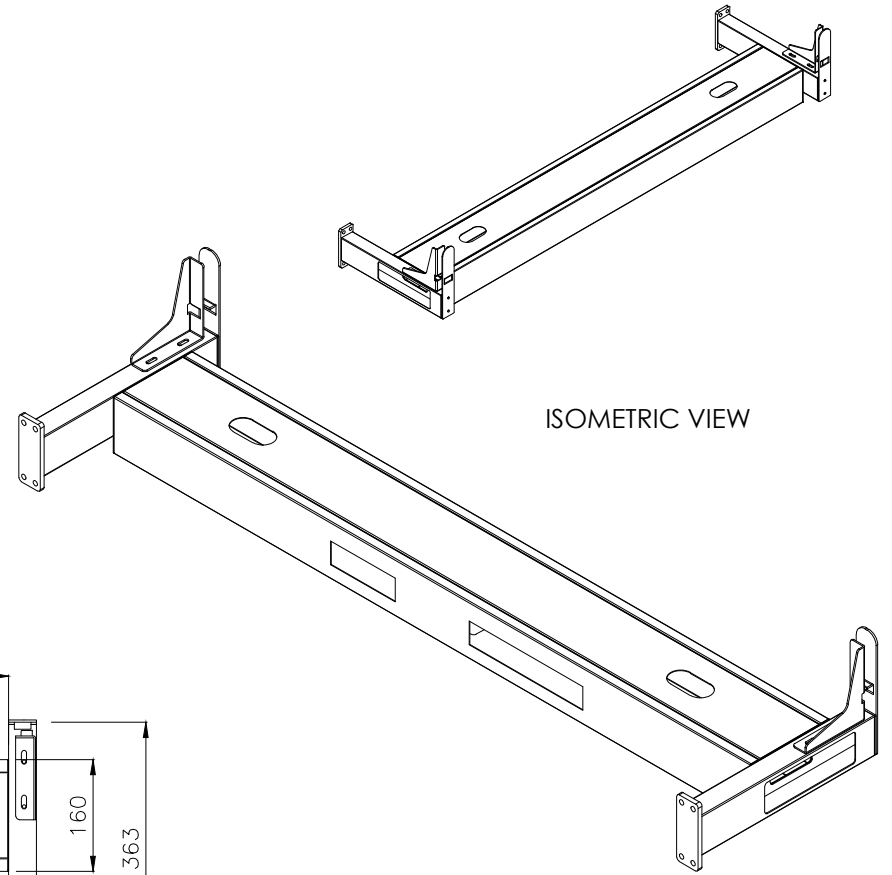
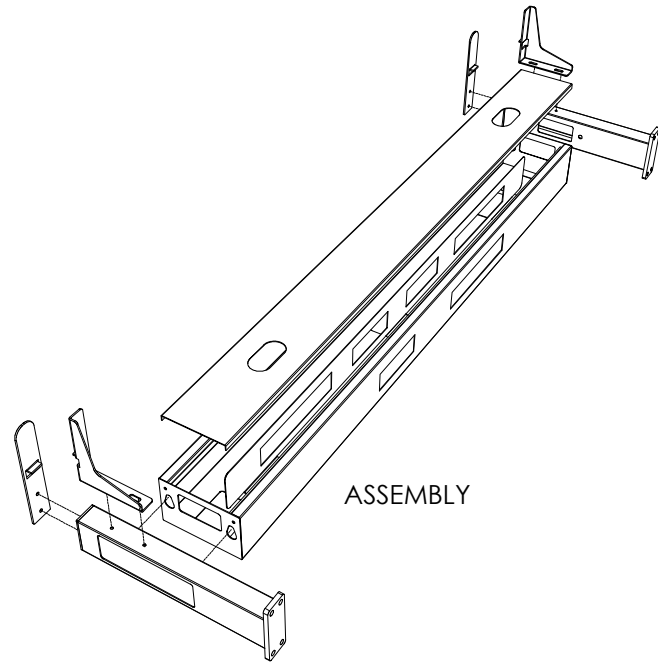
FRONT VIEW



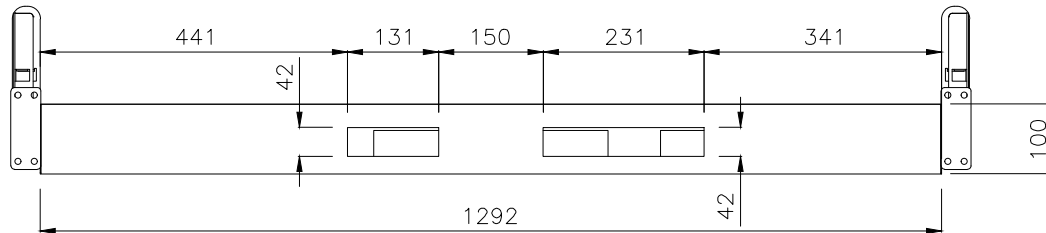
SIDE VIEW

PRODUCT CODE: EDE-ECO-WS-157  
 Square leg  
 ASSEMBLED SIZE:  
 1500L X 750W

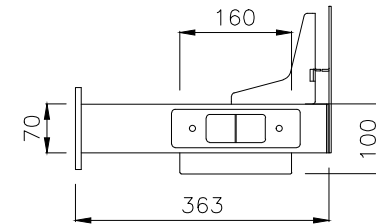
REMARKS:  
 with Cable tray



TOP VIEW



FRONT VIEW



SIDE VIEW

PRODUCT CODE:  
EDR-ARM+TRAY

ASSEMBLED SIZE:  
-

REMARKS:  
-