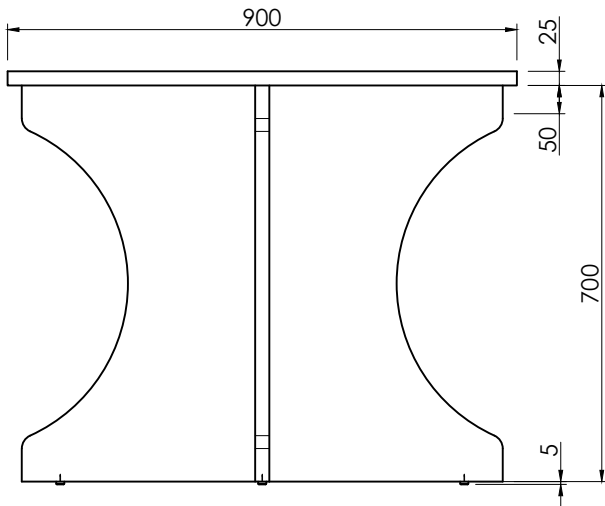
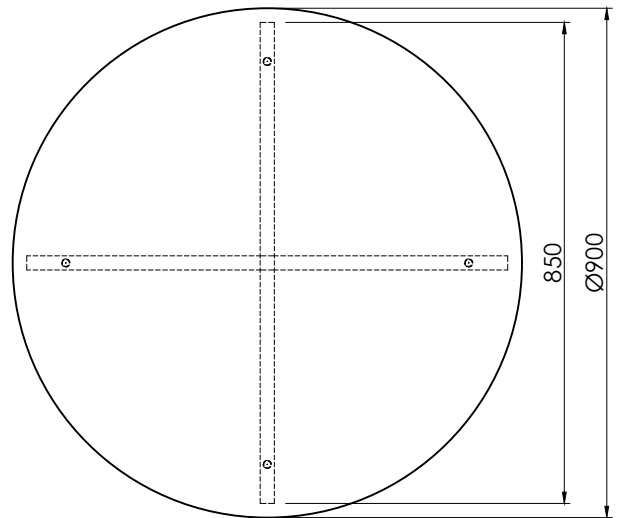


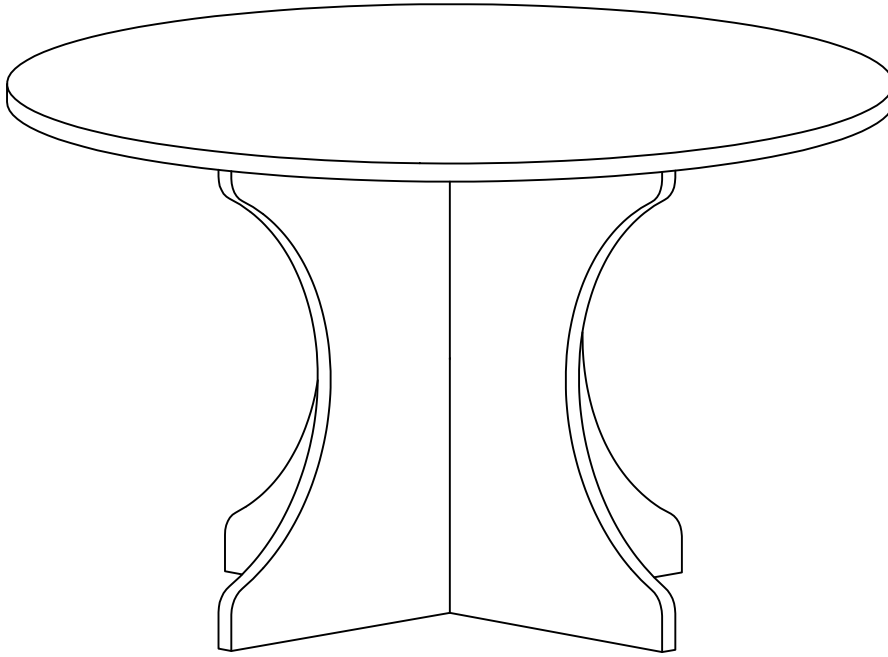
ISOMETRIC VIEW



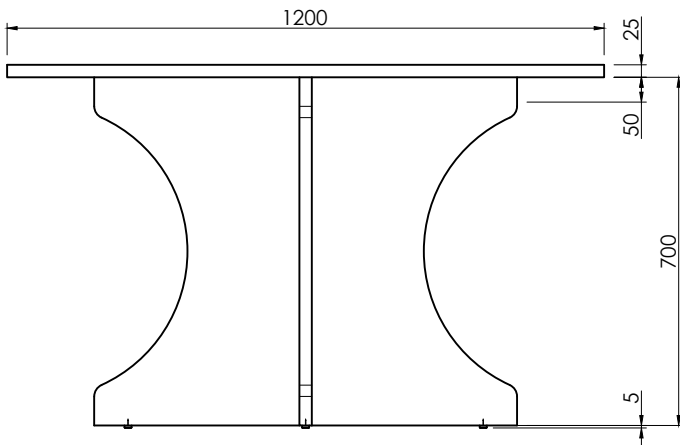
FRONT VIEW



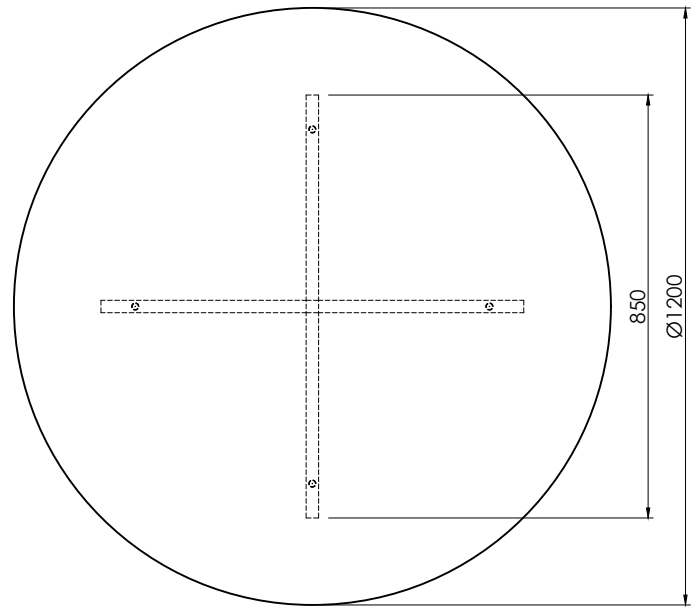
TOP VIEW



ISOMETRIC VIEW



FRONT VIEW



TOP VIEW