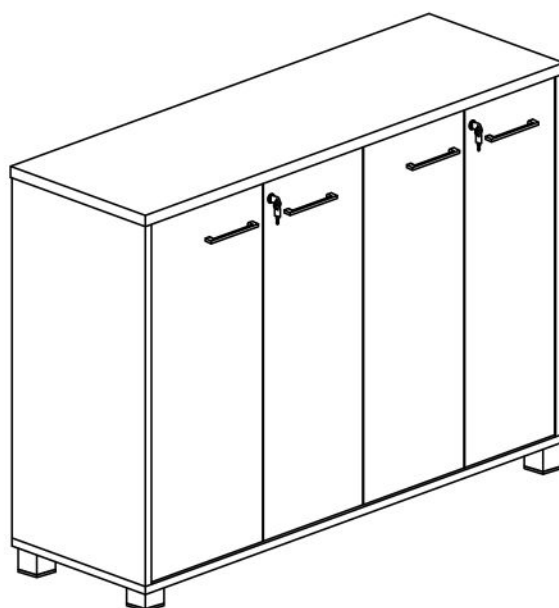


READY2GO

ASSEMBLY INSTRUCTIONS  
ST-CR15 & ST-WBC15

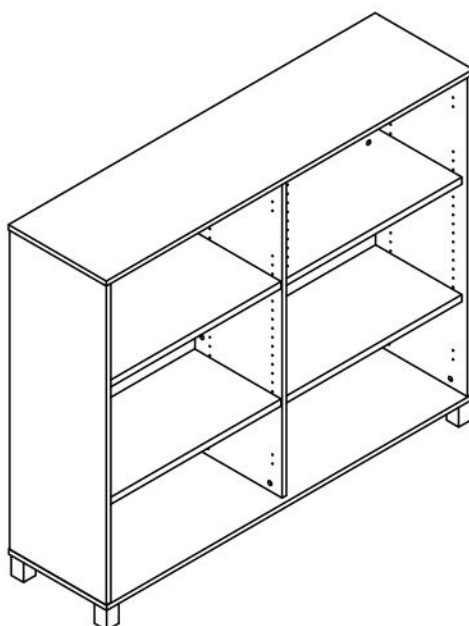
## OPTION 1

ST-CR15



## OPTION 2

ST-WBC15



# OPTION 1



c1 6\*35 Cam Bolt-32



d1 8\*30 Dowel Pin-32



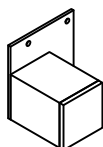
c2 (3/8) Cam Cover-32



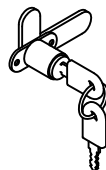
s1 4\*16 Screw-75



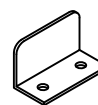
p1 Threaded Dowel Pin-16



m2 Metal Leg-5



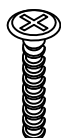
k4 Lock-2



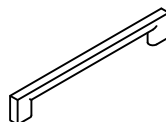
k1 Lock Catch-2



k5 Lock Catch-2



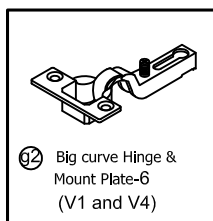
s7 4\*22 Fix Bolt-8



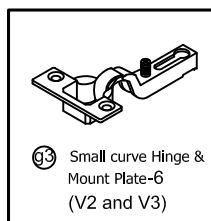
h4 Handle-4



g1 Hinge Stand-12

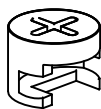


g2 Big curve Hinge & Mount Plate-6 (V1 and V4)



g3 Small curve Hinge & Mount Plate-6 (V2 and V3)

## Pre-installed parts

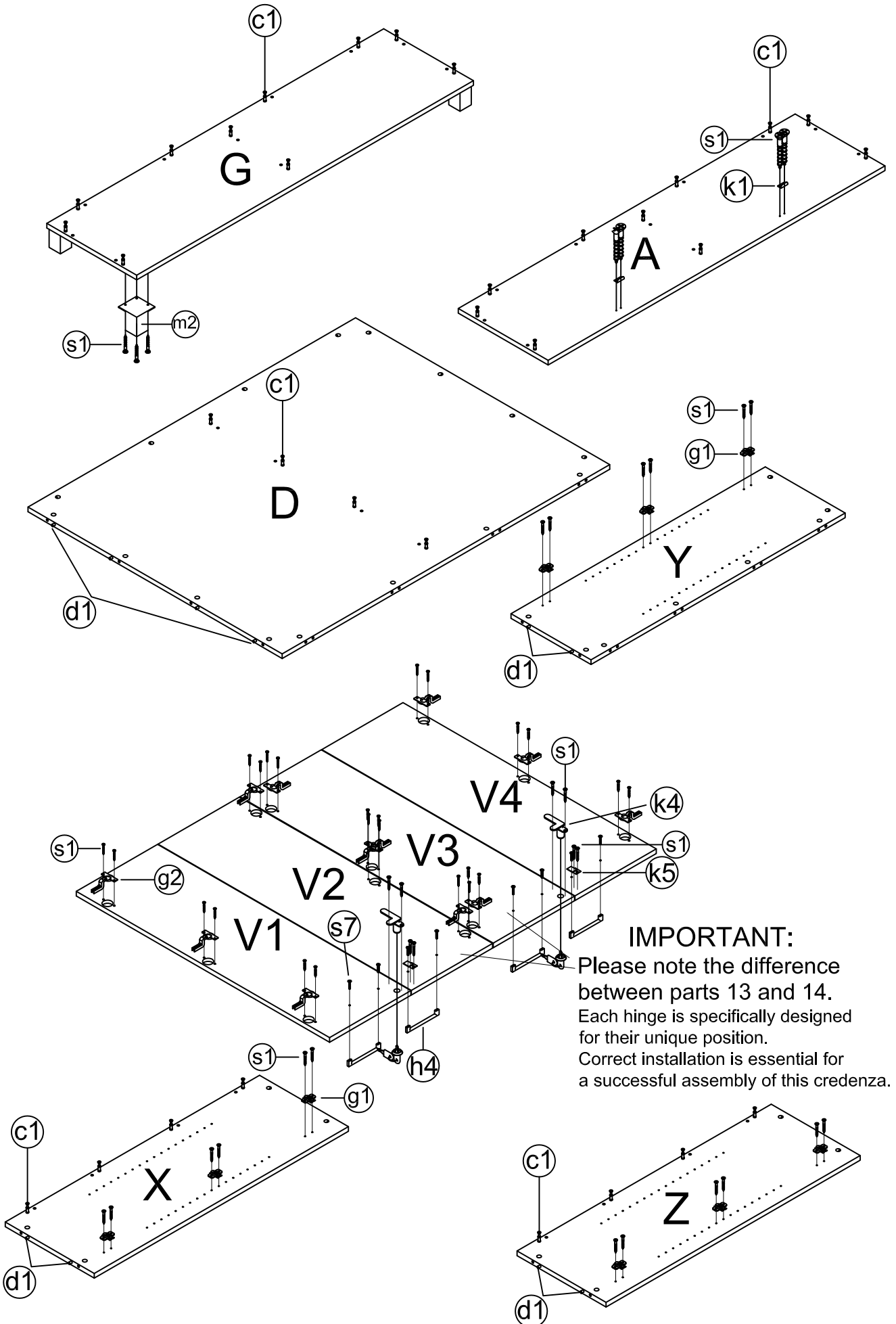


c5 Cam

### IMPORTANT:

Please note the difference between parts g2 and g3. Each hinge is specifically designed for their unique position. Correct installation is essential for a successful assembly of this credenza.

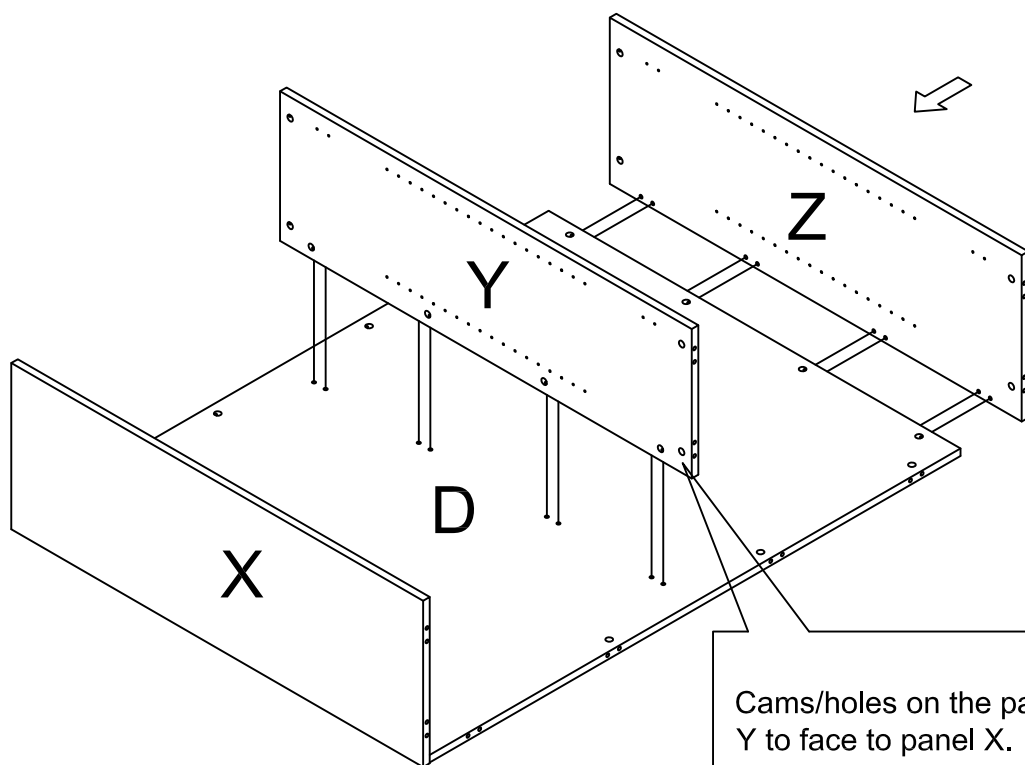
1



**IMPORTANT:**

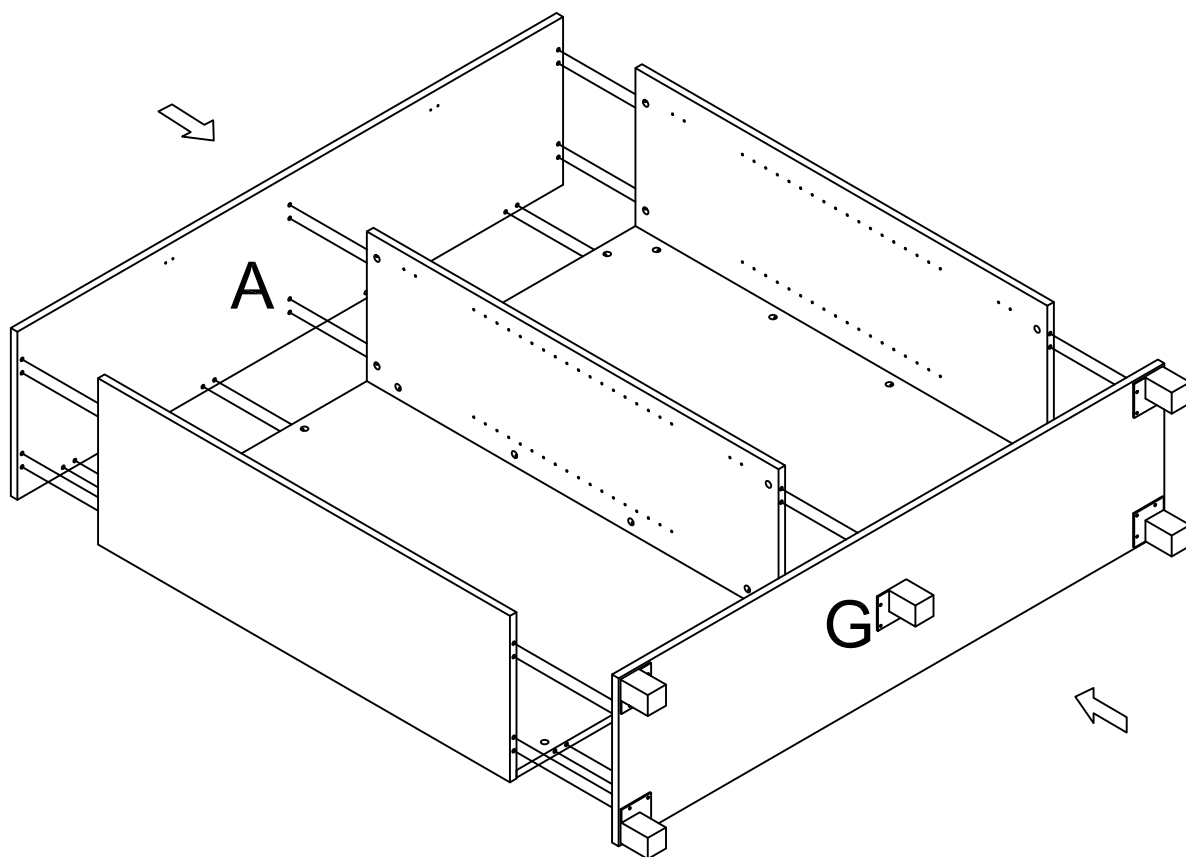
Please note the difference between parts 13 and 14. Each hinge is specifically designed for their unique position. Correct installation is essential for a successful assembly of this credenza.

2

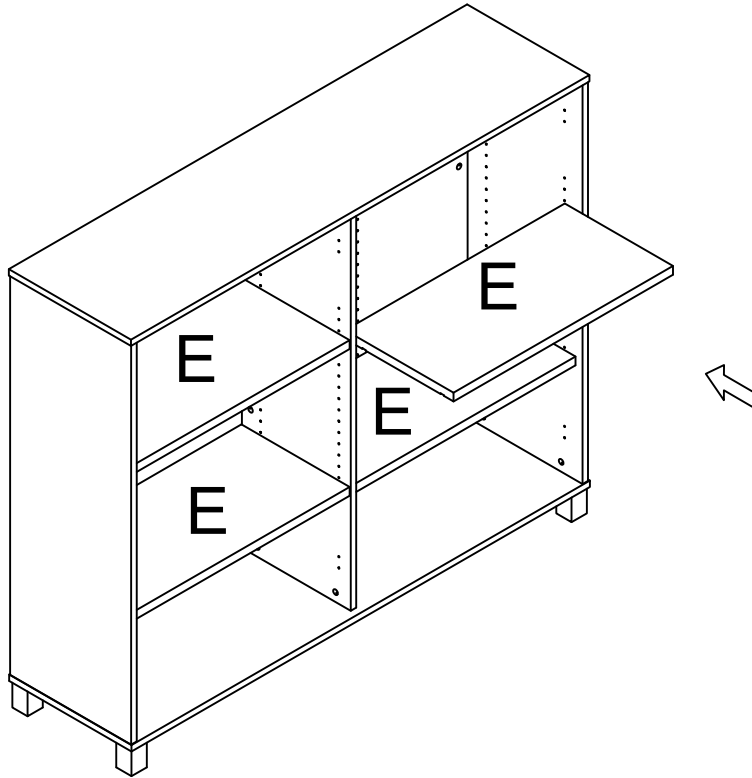


Cams/holes on the panel Y to face to panel X.

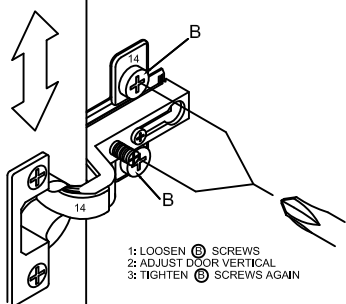
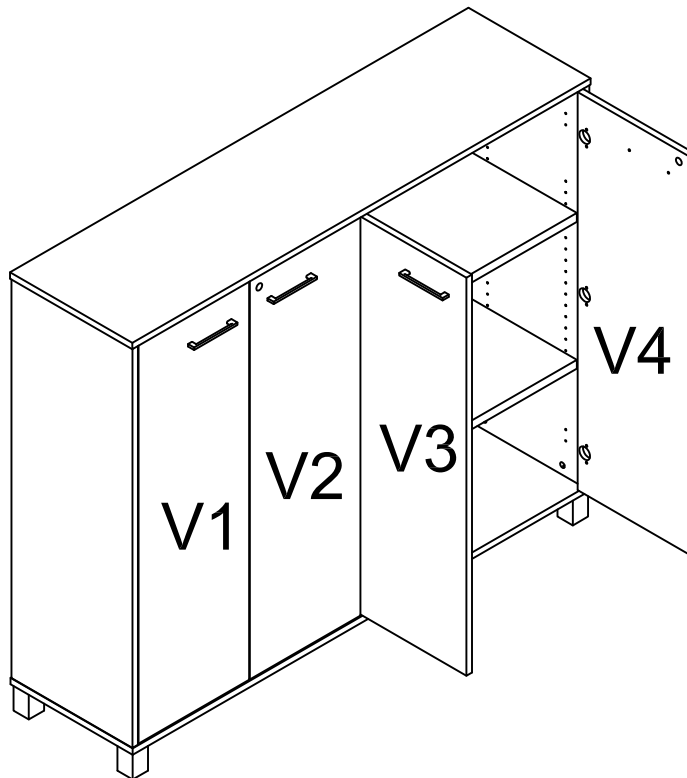
3



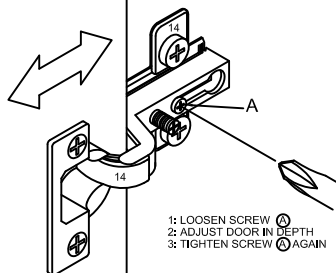
4



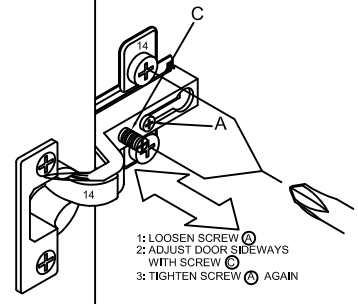
5



1: LOOSEN **B** SCREWS  
2: ADJUST DOOR VERTICAL  
3: TIGHTEN **B** SCREWS AGAIN



1: LOOSEN SCREW **A**  
2: ADJUST DOOR IN DEPTH  
3: TIGHTEN SCREW **A** AGAIN



1: LOOSEN SCREW **A**  
2: ADJUST DOOR SIDWAYS  
WITH SCREW **C**  
3: TIGHTEN SCREW **A** AGAIN

# OPTION 2



c1 6\*35 Cam Bolt-32



d1 8\*30 Dowel Pin-32



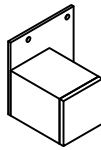
c2 (3/8") Cam Cover-32



s1 4\*16 Screw-15

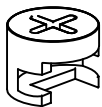


p1 Threaded Dowel Pin-16



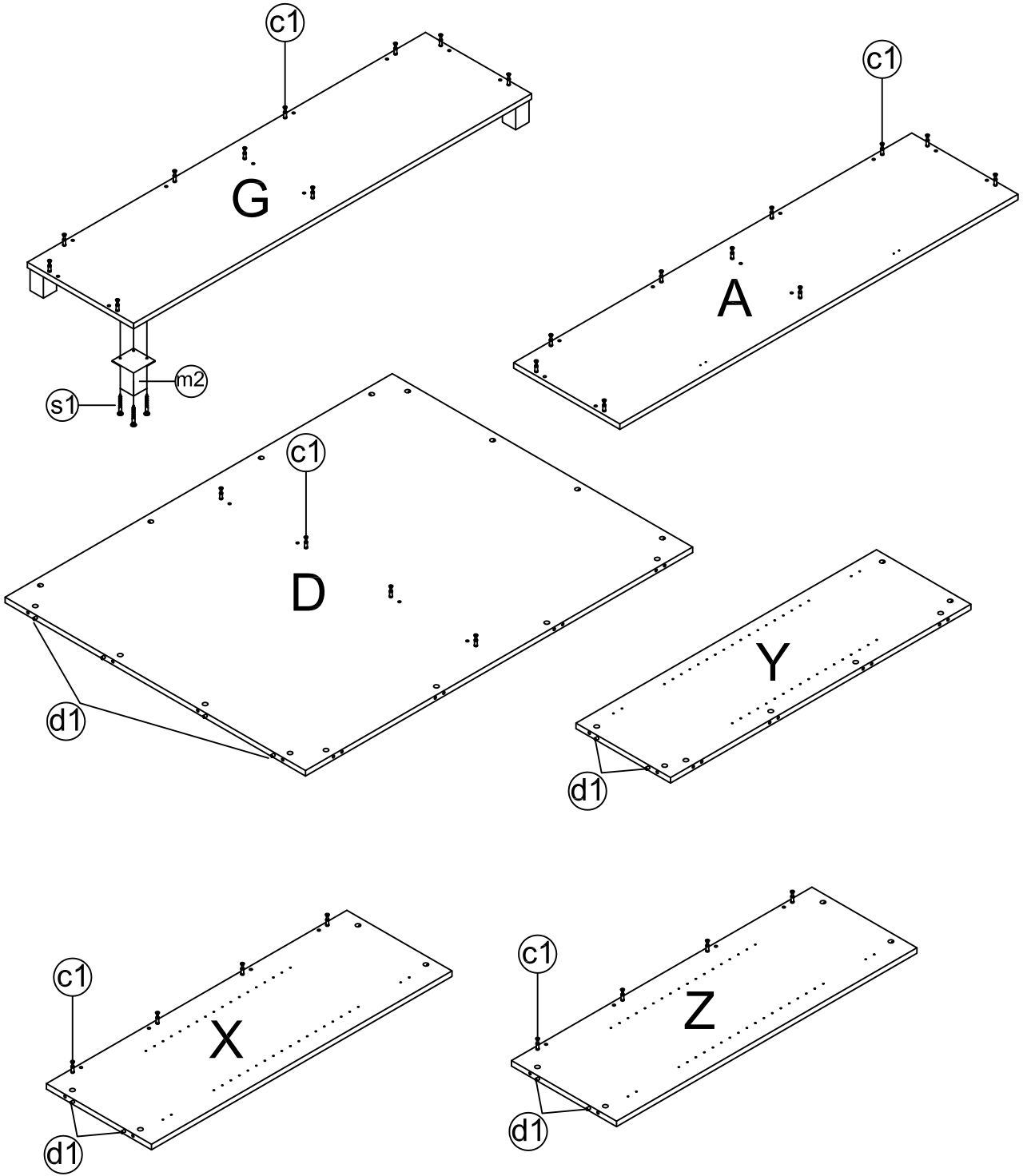
m2 Metal Leg-5

## Pre-installed parts

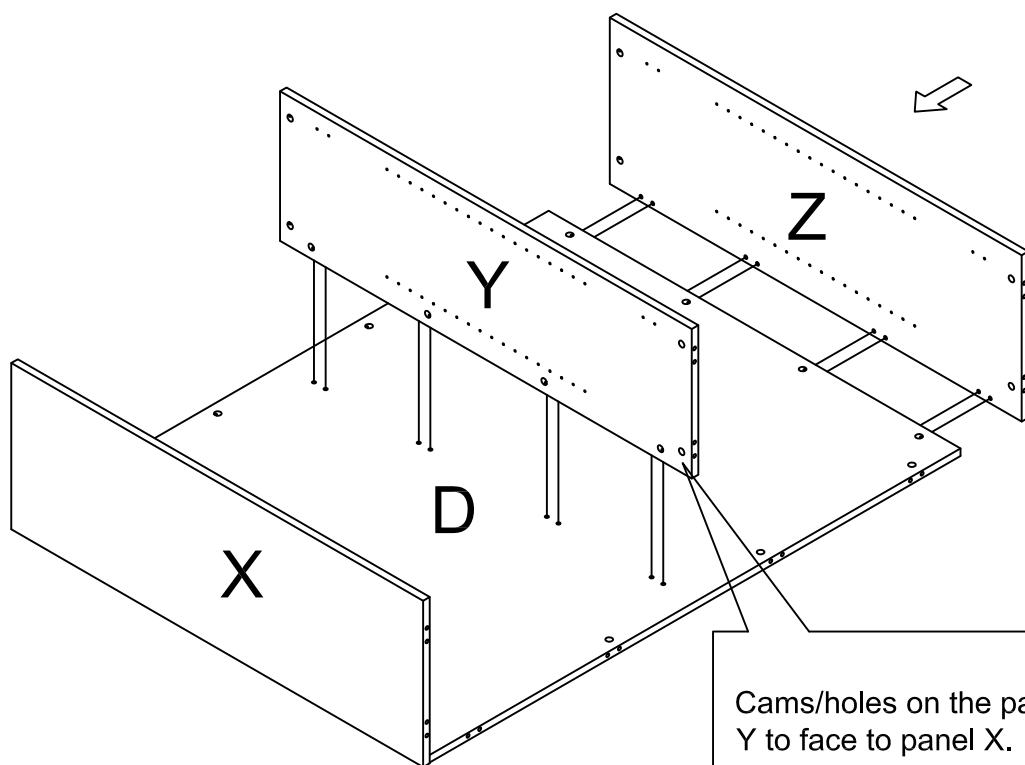


c5 Cam

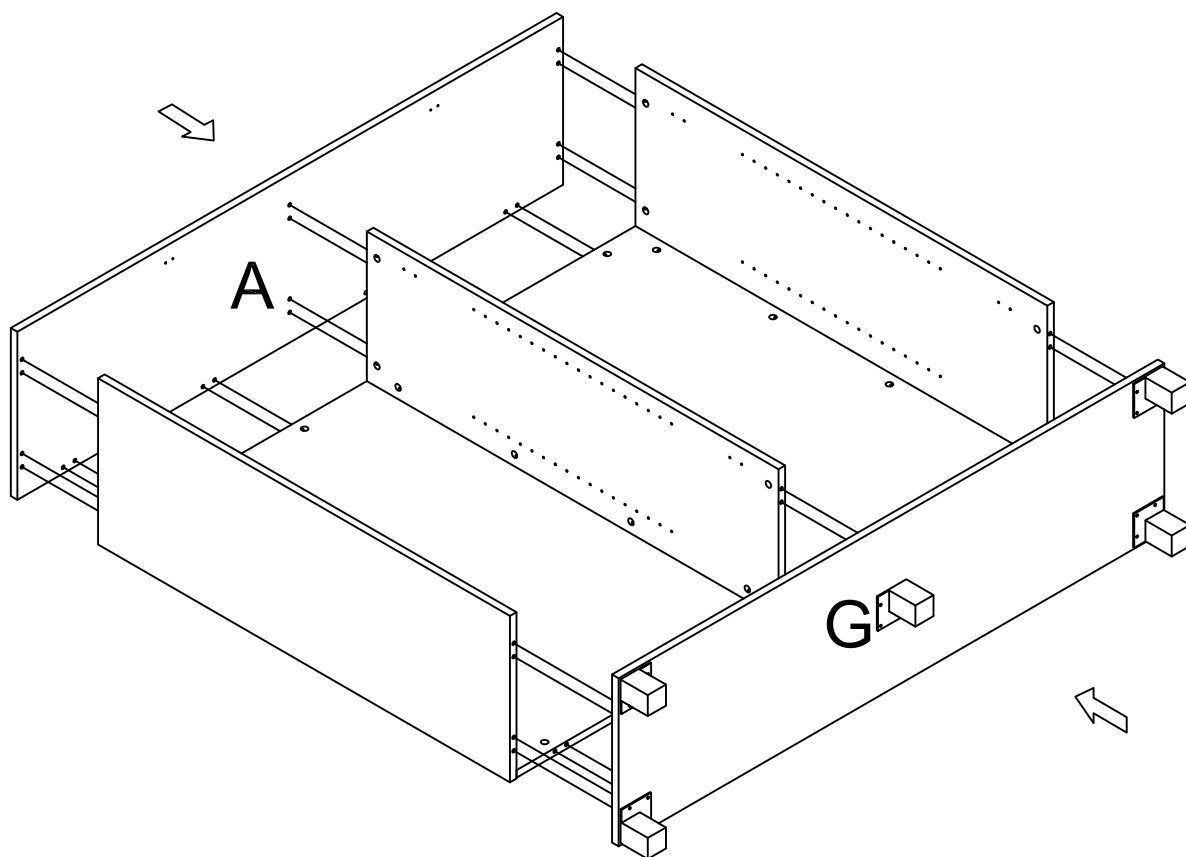
1



2

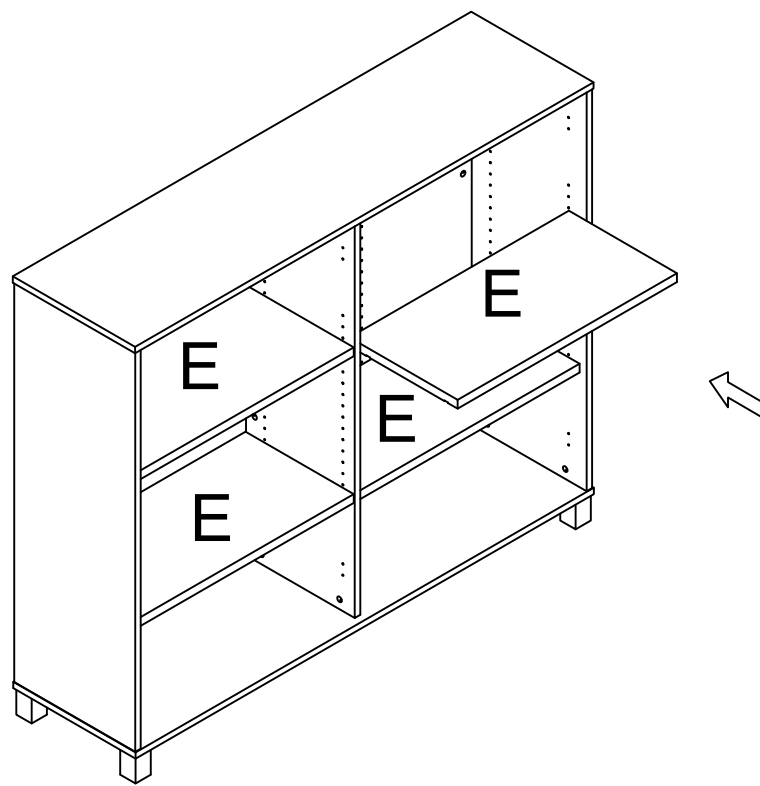


3





4

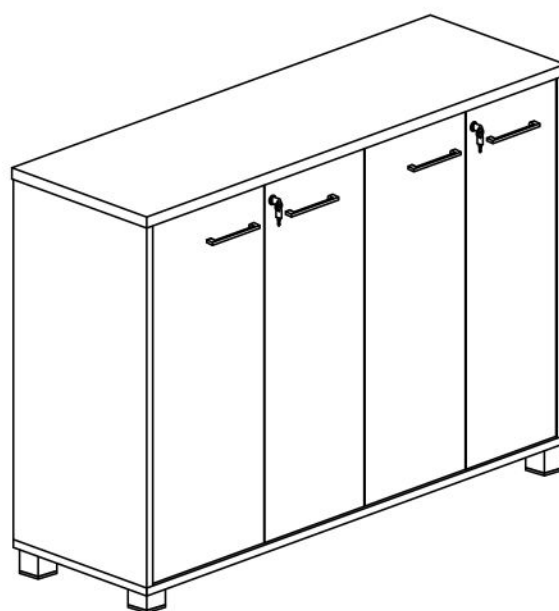


READY2GO

ASSEMBLY INSTRUCTIONS  
ST-CR18 & ST-WBC18

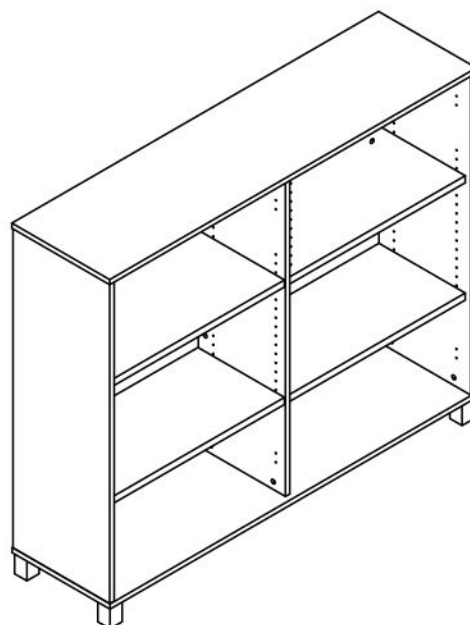
## OPTION 1

ST-CR18



## OPTION 2

ST-WBC18





c1 6\*35 Cam Bolt-32



d1 8\*30 Dowel Pin-32



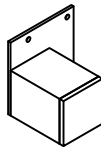
e2 (3/8") Cam Cover-32



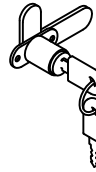
f1 4\*16 Screw-75



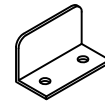
p1 Threaded Dowel Pin-16



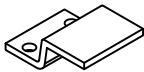
m2 Metal Leg-5



k4 Lock-2



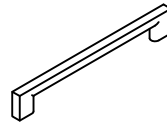
k1 Lock Catch-2



k5 Lock Catch-2



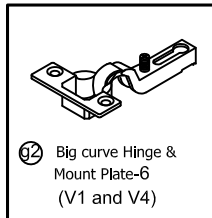
s7 4\*22 Fix Bolt-8



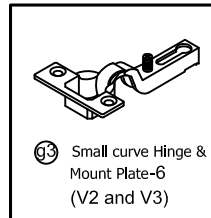
h4 Handle-4



g1 Hinge Stand-12

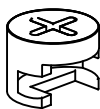


g2 Big curve Hinge & Mount Plate-6 (V1 and V4)



g3 Small curve Hinge & Mount Plate-6 (V2 and V3)

## Pre-installed parts



c5 Cam

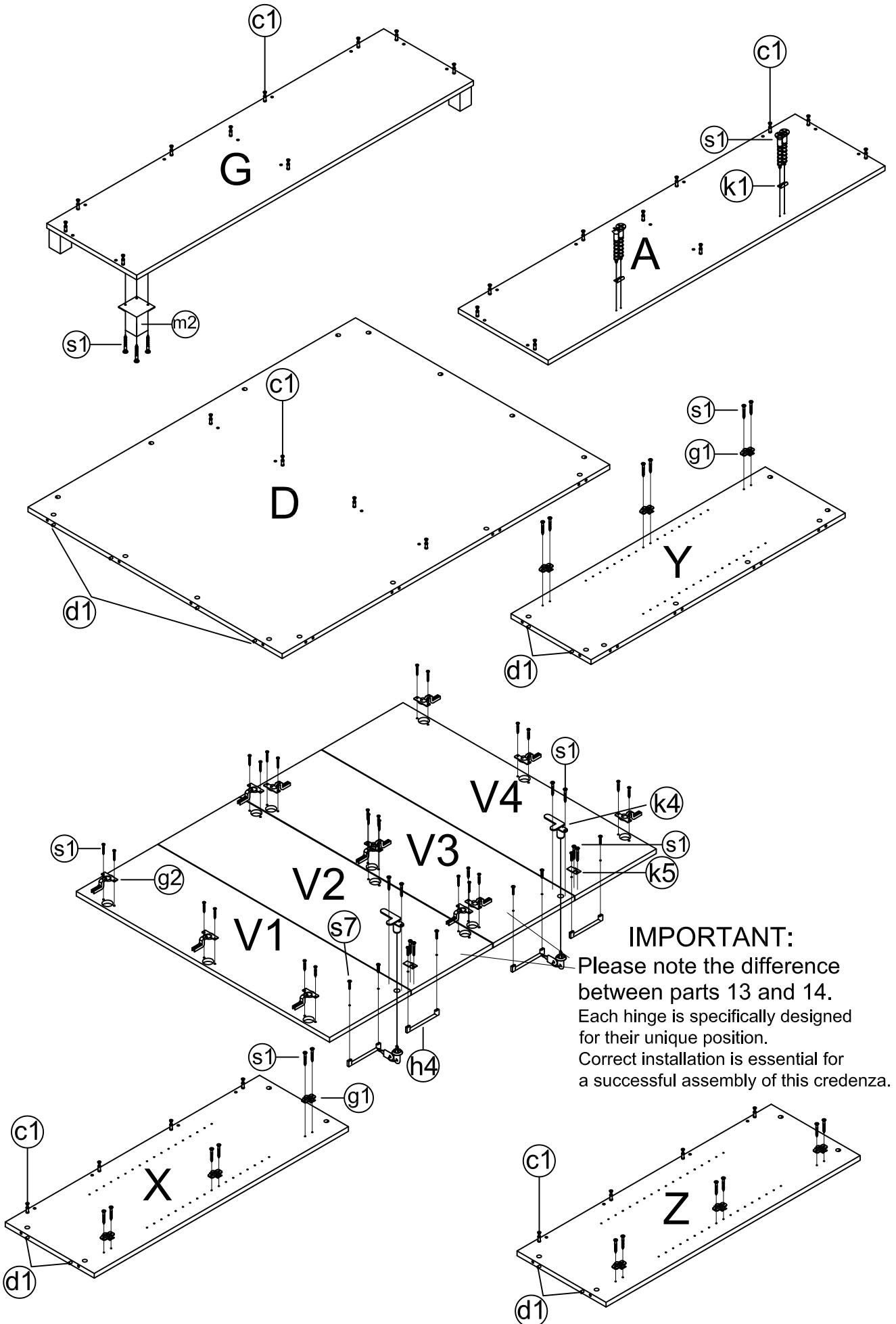
### IMPORTANT:

Please note the difference between parts g2 and g3.

Each hinge is specifically designed for their unique position.

Correct installation is essential for a successful assembly of this credenza.

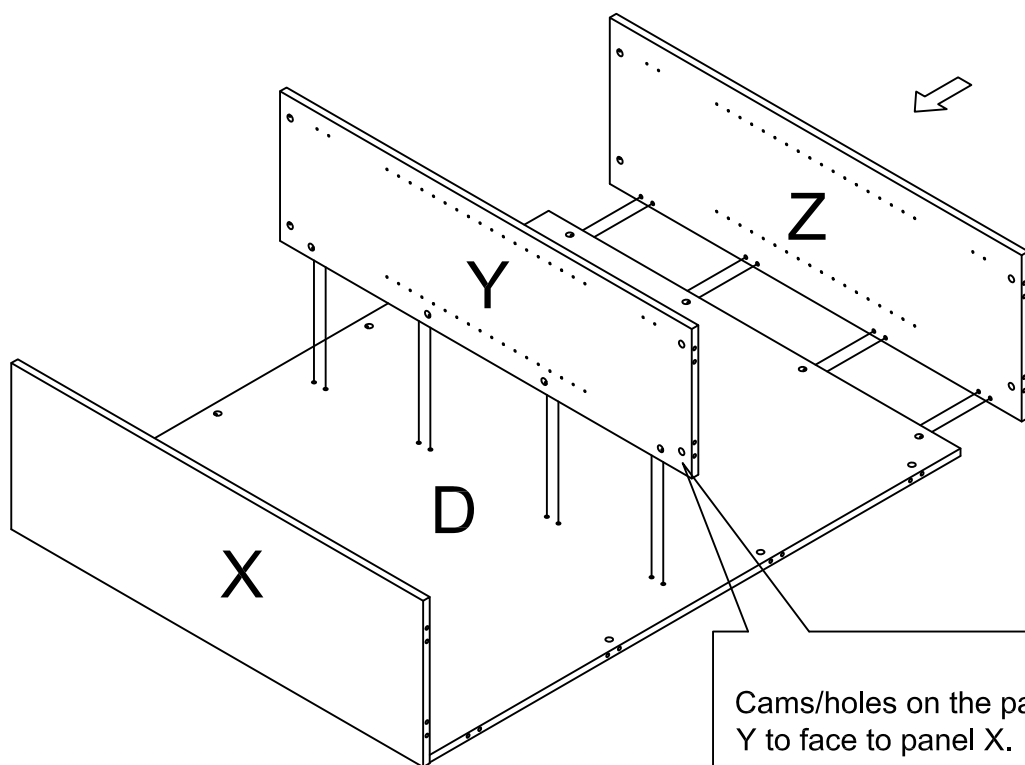
1



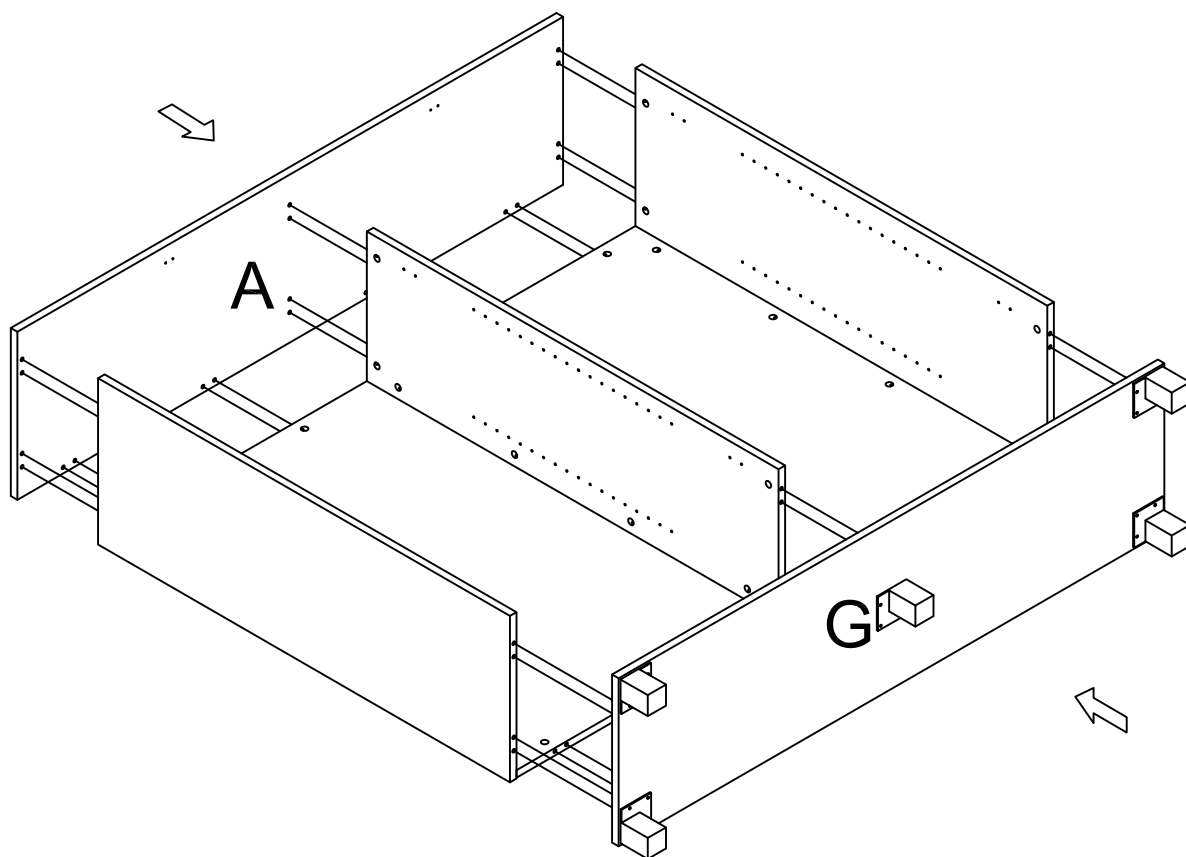
**IMPORTANT:**

Please note the difference between parts 13 and 14. Each hinge is specifically designed for their unique position. Correct installation is essential for a successful assembly of this credenza.

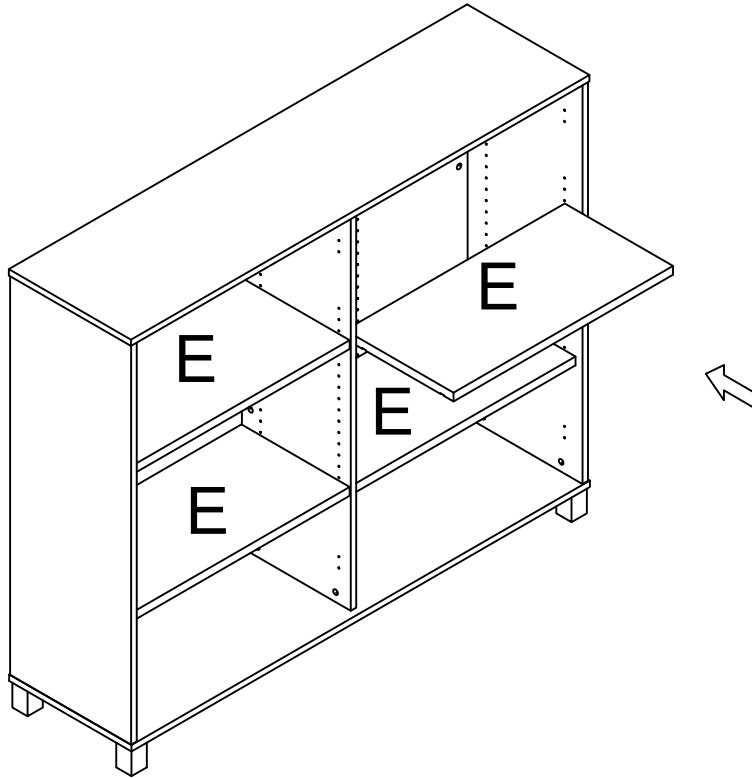
2



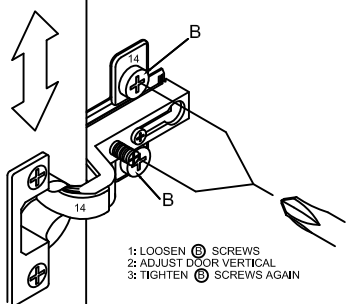
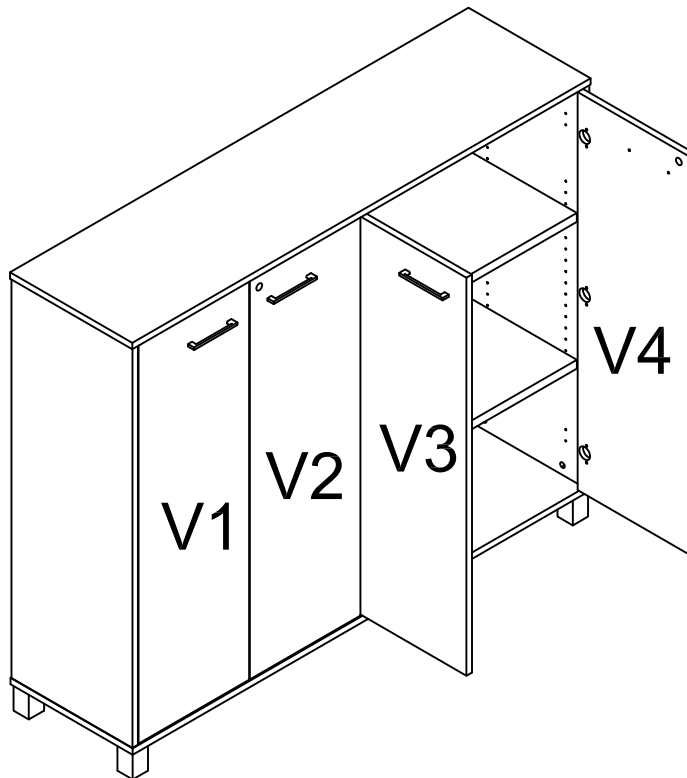
3



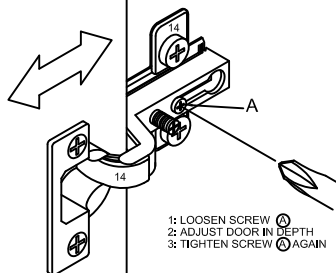
4



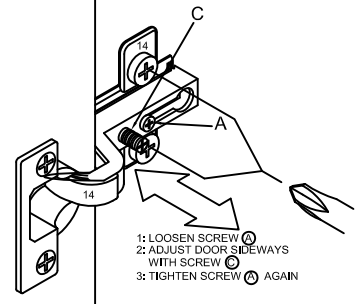
5



- 1: LOOSEN **B** SCREWS
- 2: ADJUST DOOR VERTICAL
- 3: TIGHTEN **B** SCREWS AGAIN



- 1: LOOSEN SCREW **A**
- 2: ADJUST DOOR IN DEPTH
- 3: TIGHTEN SCREW **A** AGAIN



- 1: LOOSEN SCREW **C**
- 2: ADJUST DOOR SIDWAYS WITH SCREW **C**
- 3: TIGHTEN SCREW **C** AGAIN

# OPTION 2



c1 6\*35 Cam Bolt-32



d1 8\*30 Dowel Pin-32



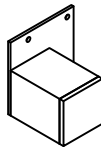
c2 (3/8") Cam Cover-32



s1 4\*16 Screw-15

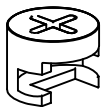


p1 Threaded Dowel Pin-16



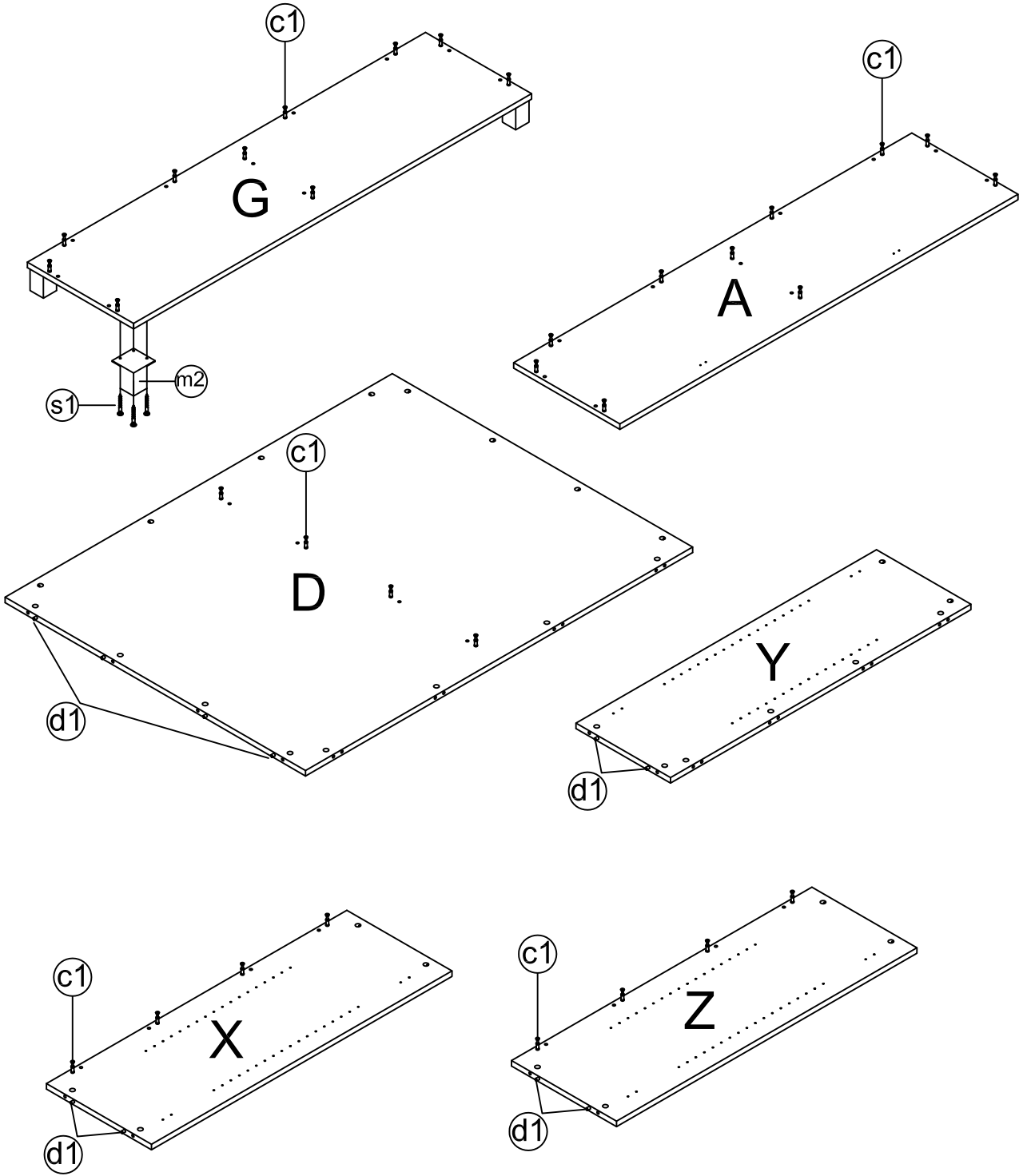
m2 Metal Leg-5

## Pre-installed parts



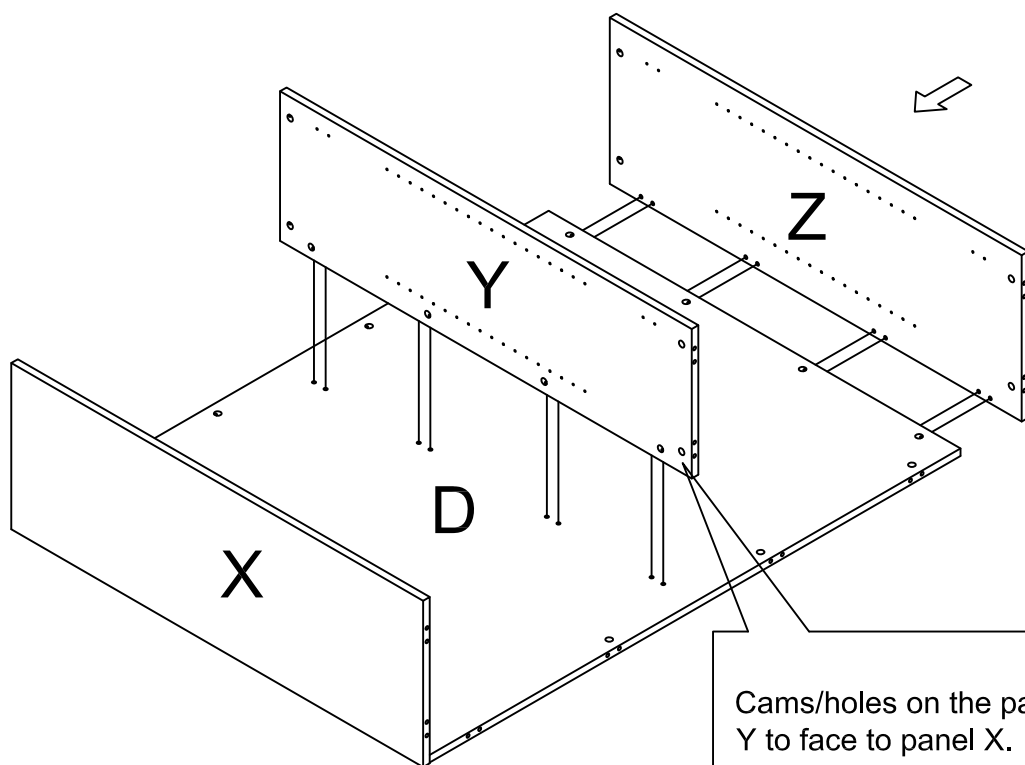
c5 Cam

1

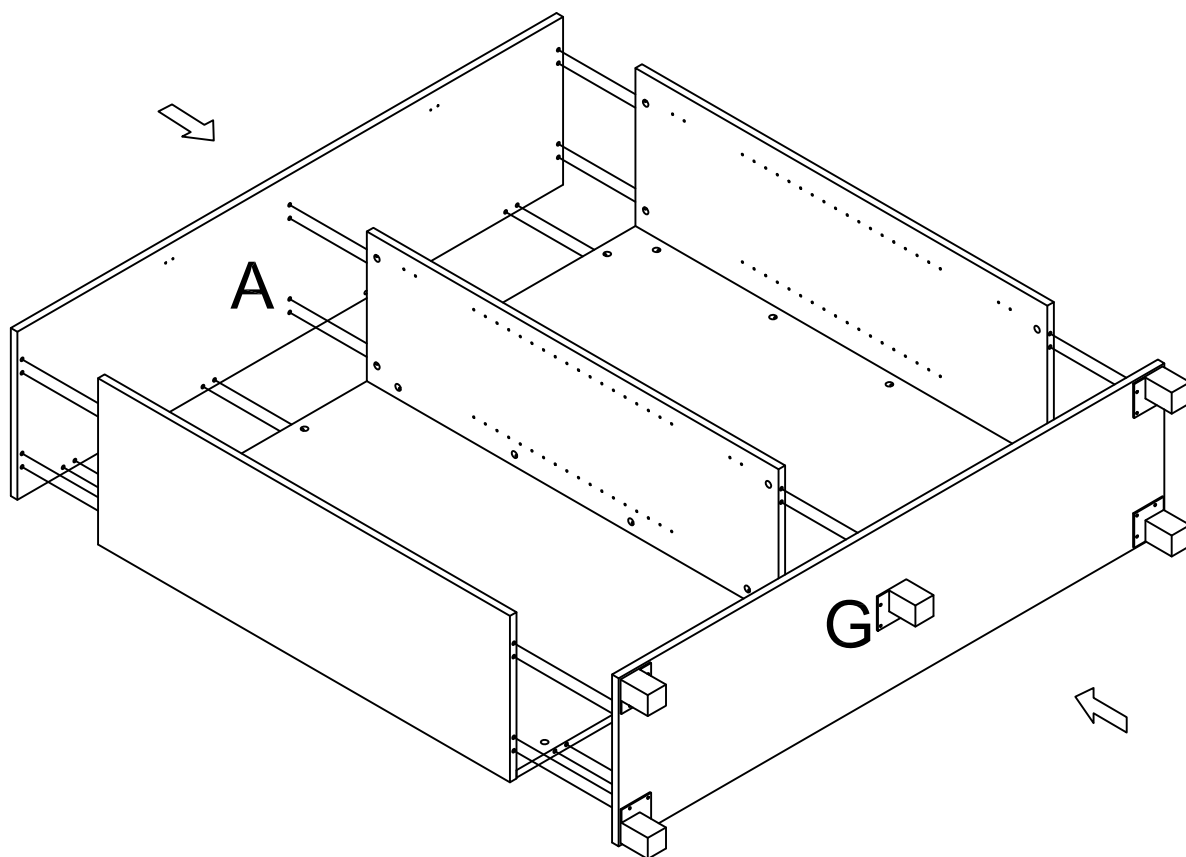




2



3



4

