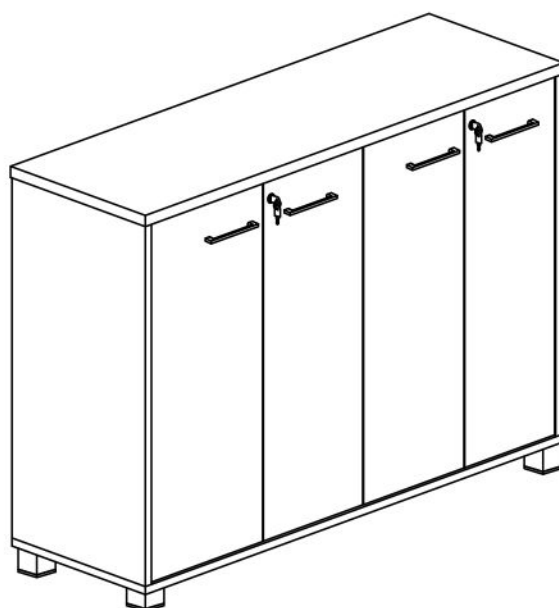


READY2GO

ASSEMBLY INSTRUCTIONS
ST-CR15 & ST-WBC15

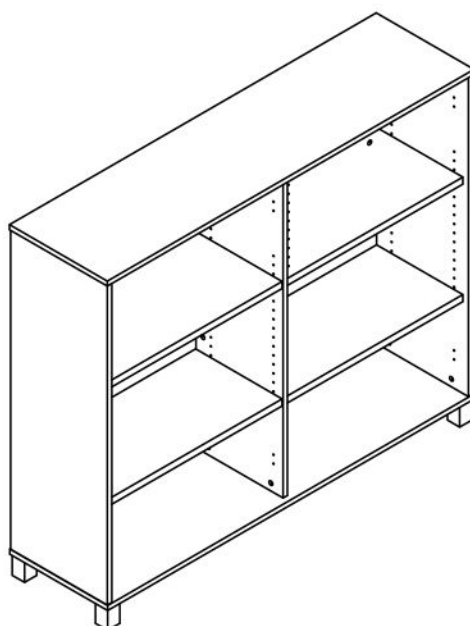
OPTION 1

ST-CR15



OPTION 2

ST-WBC15



OPTION 1



c1 6*35 Cam Bolt-32



d1 8*30 Dowel Pin-32



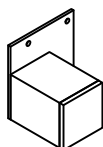
c2 (3/8") Cam Cover-32



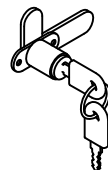
s1 4*16 Screw-75



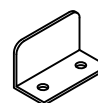
p1 Threaded Dowel Pin-16



m2 Metal Leg-5



k4 Lock-2



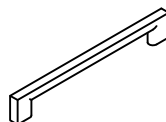
k1 Lock Catch-2



k5 Lock Catch-2



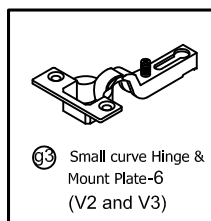
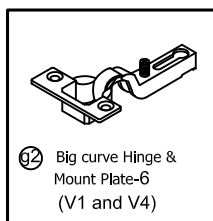
s7 4*22 Fix Bolt-8



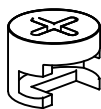
h4 Handle-4



g1 Hinge Stand-12



Pre-installed parts

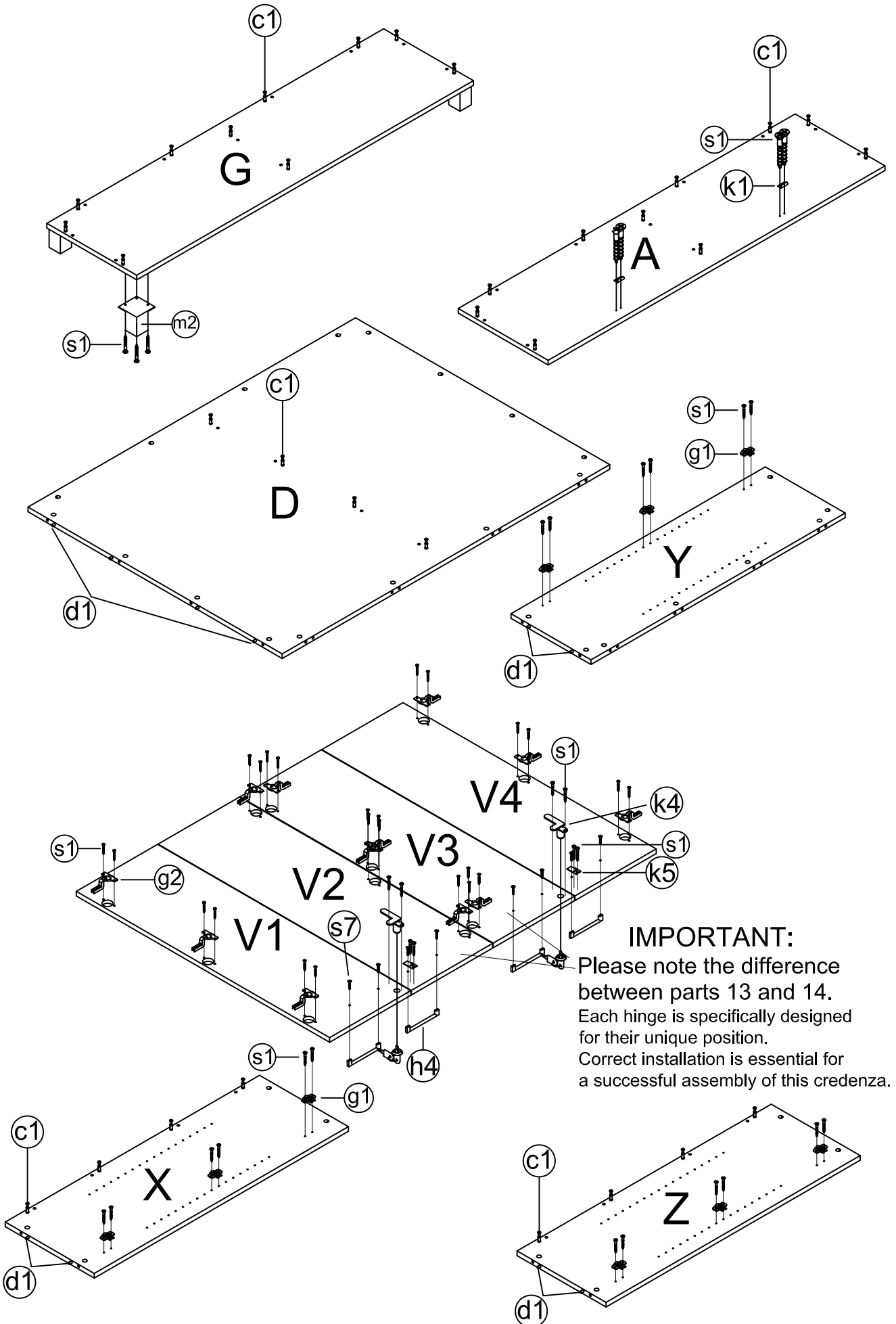


c5 Cam

IMPORTANT:

Please note the difference between parts g2 and g3. Each hinge is specifically designed for their unique position. Correct installation is essential for a successful assembly of this credenza.

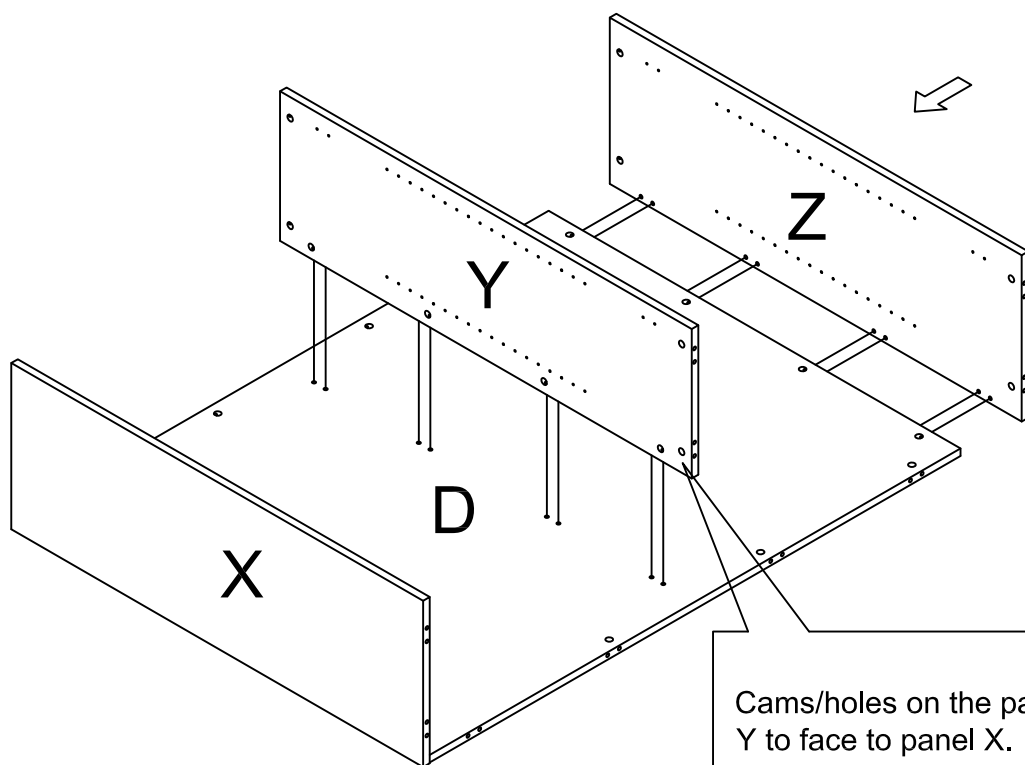
1



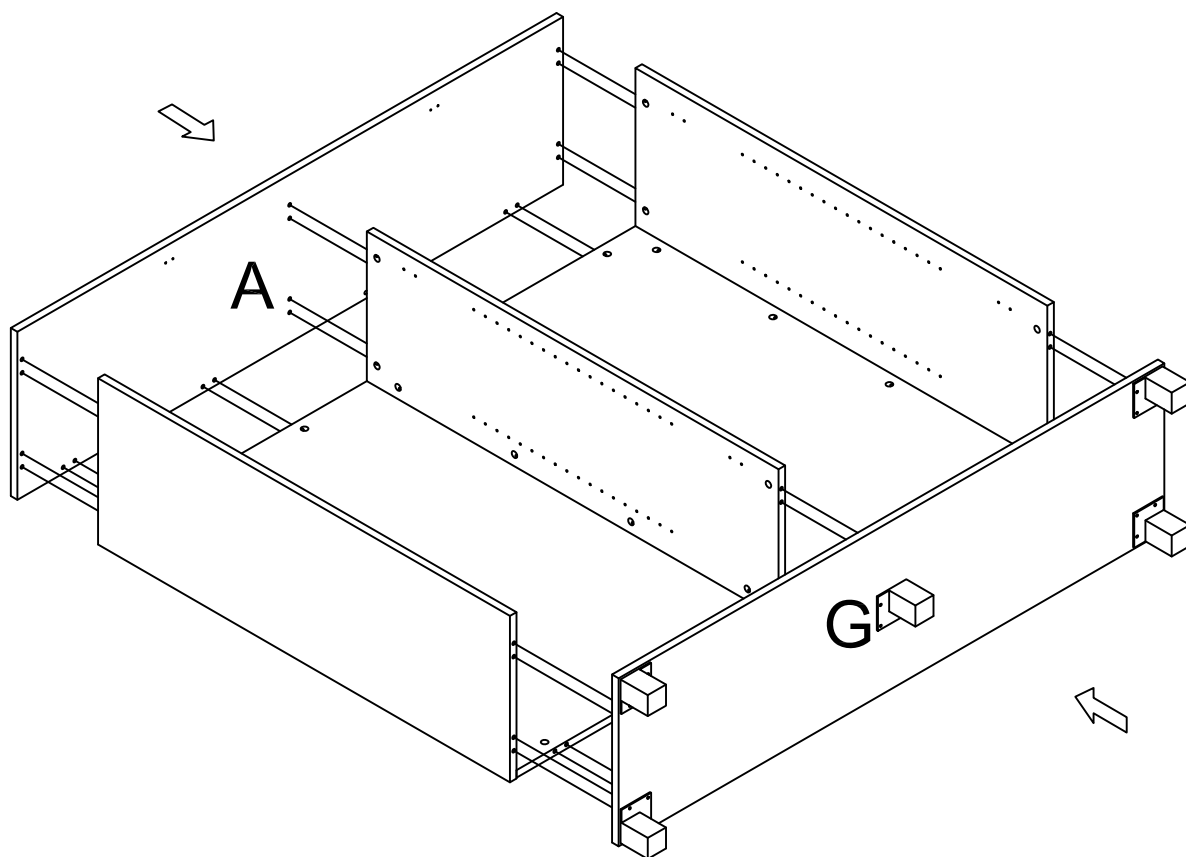
IMPORTANT:

Please note the difference between parts 13 and 14. Each hinge is specifically designed for their unique position. Correct installation is essential for a successful assembly of this credenza.

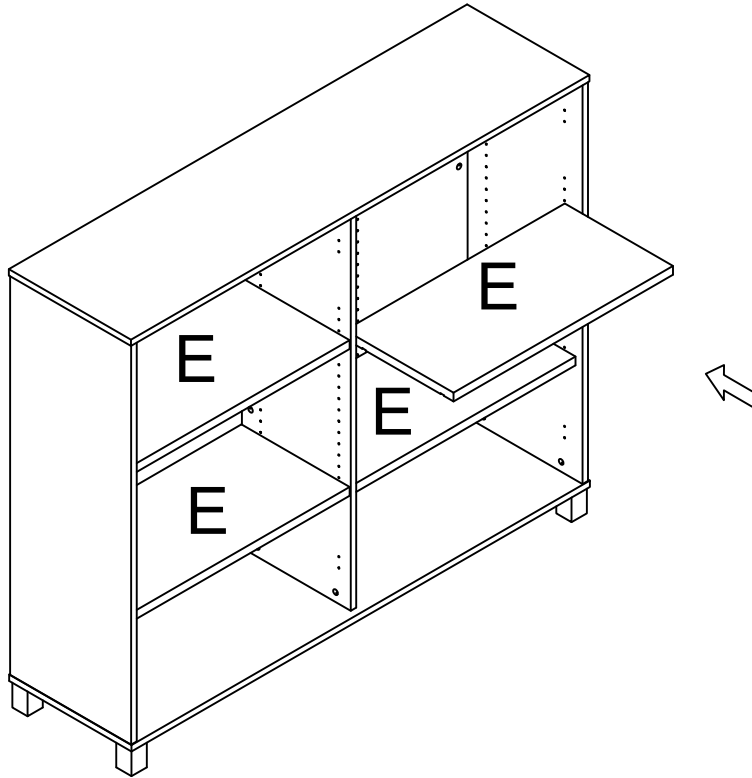
2



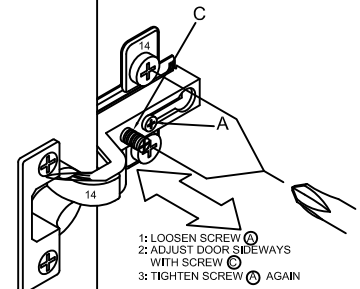
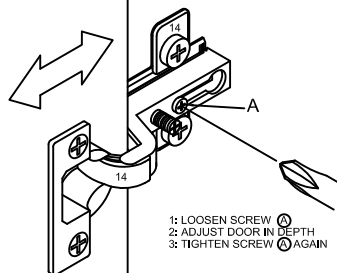
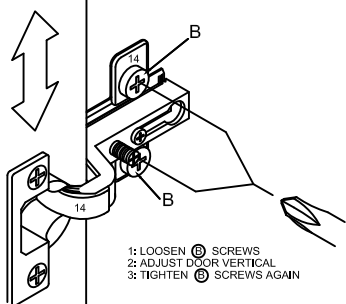
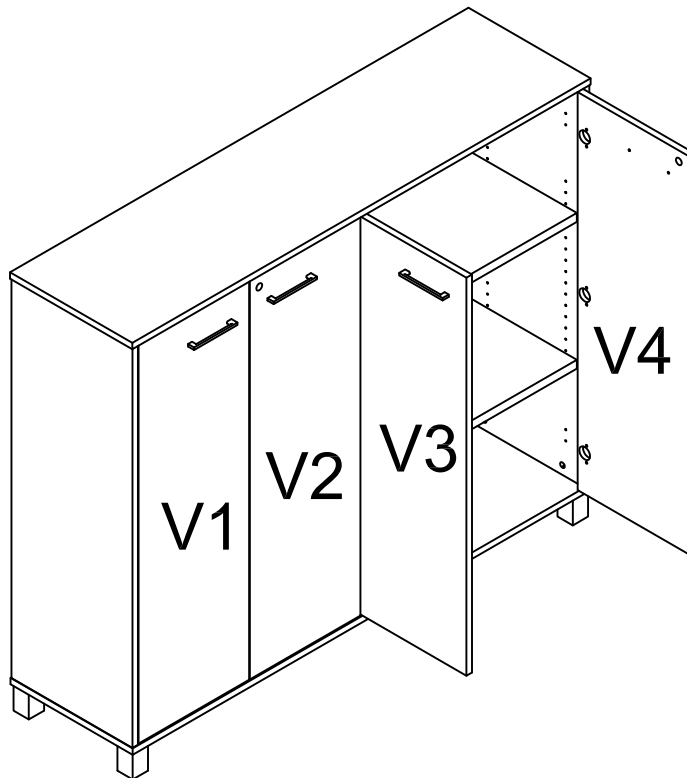
3



4



5



OPTION 2



c1 6*35 Cam Bolt-32



d1 8*30 Dowel Pin-32



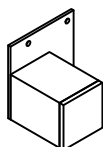
c2 (3/8") Cam Cover-32



s1 4*16 Screw-15

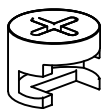


p1 Threaded Dowel Pin-16



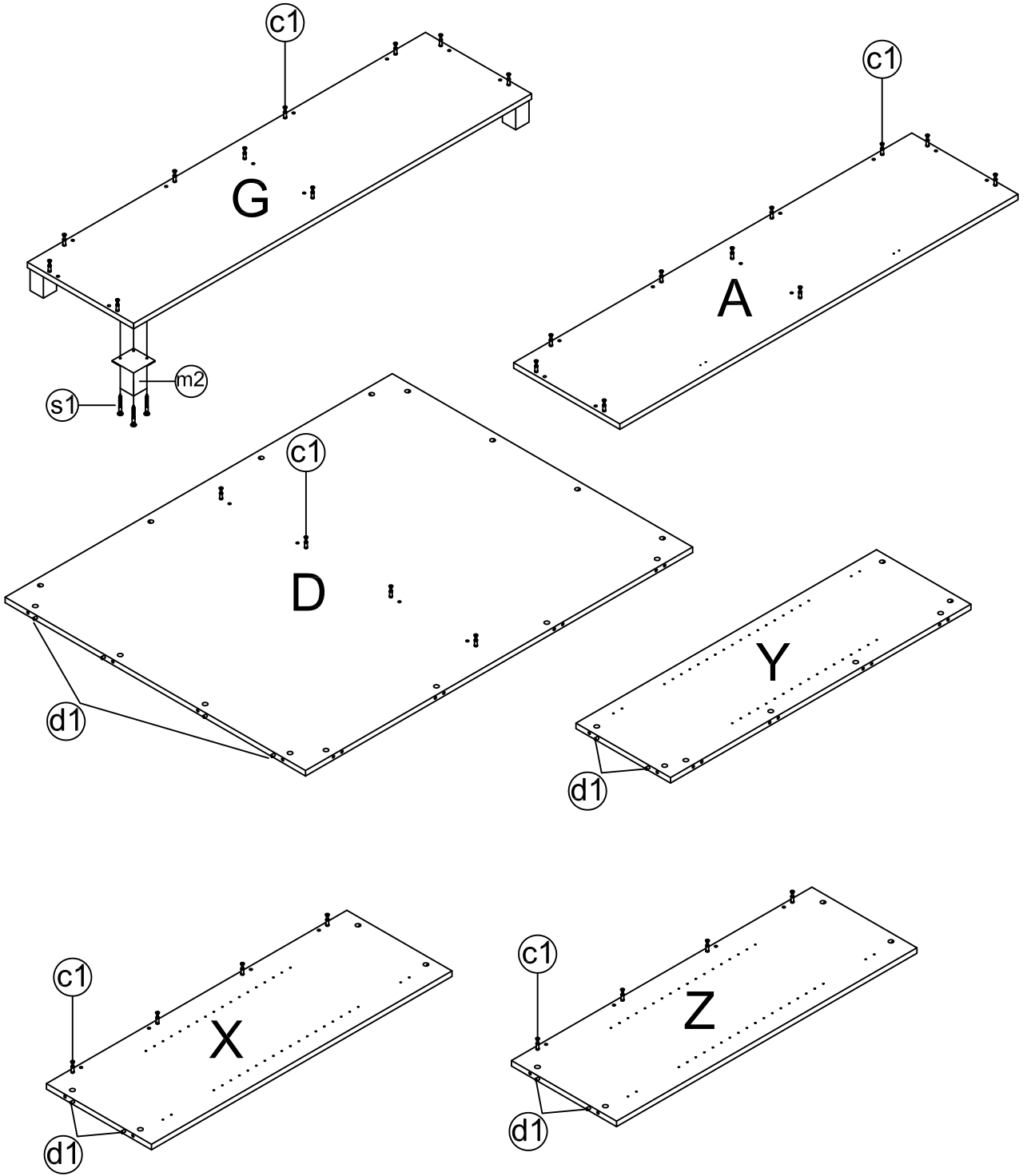
m2 Metal Leg-5

Pre-installed parts

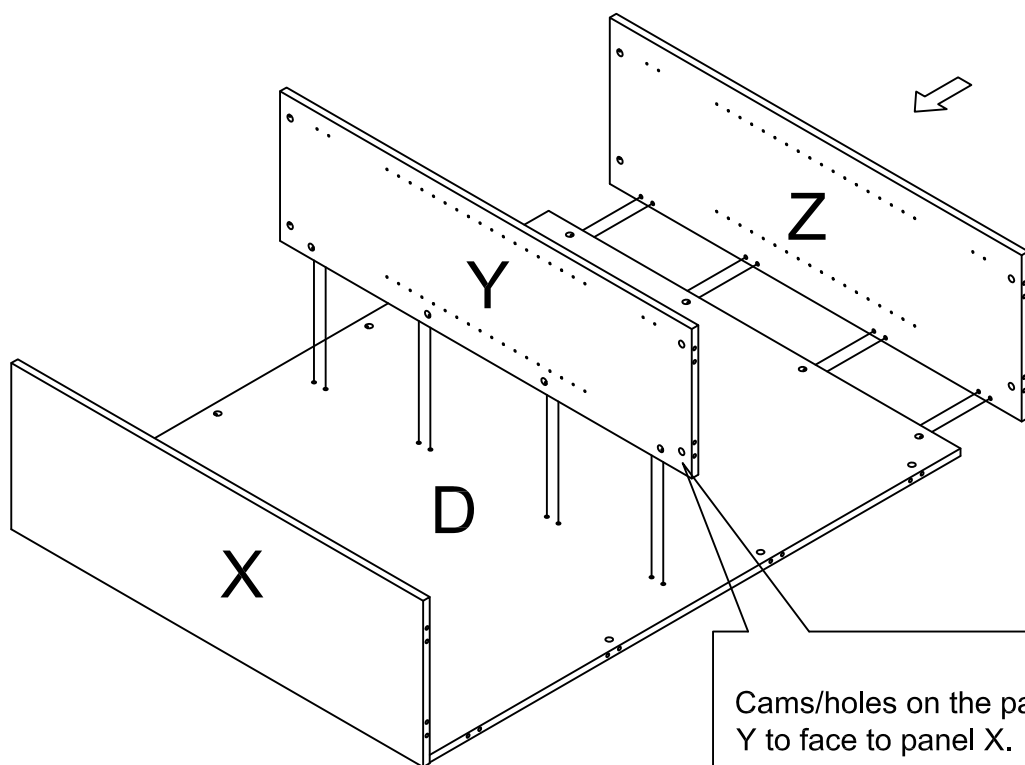


c5 Cam

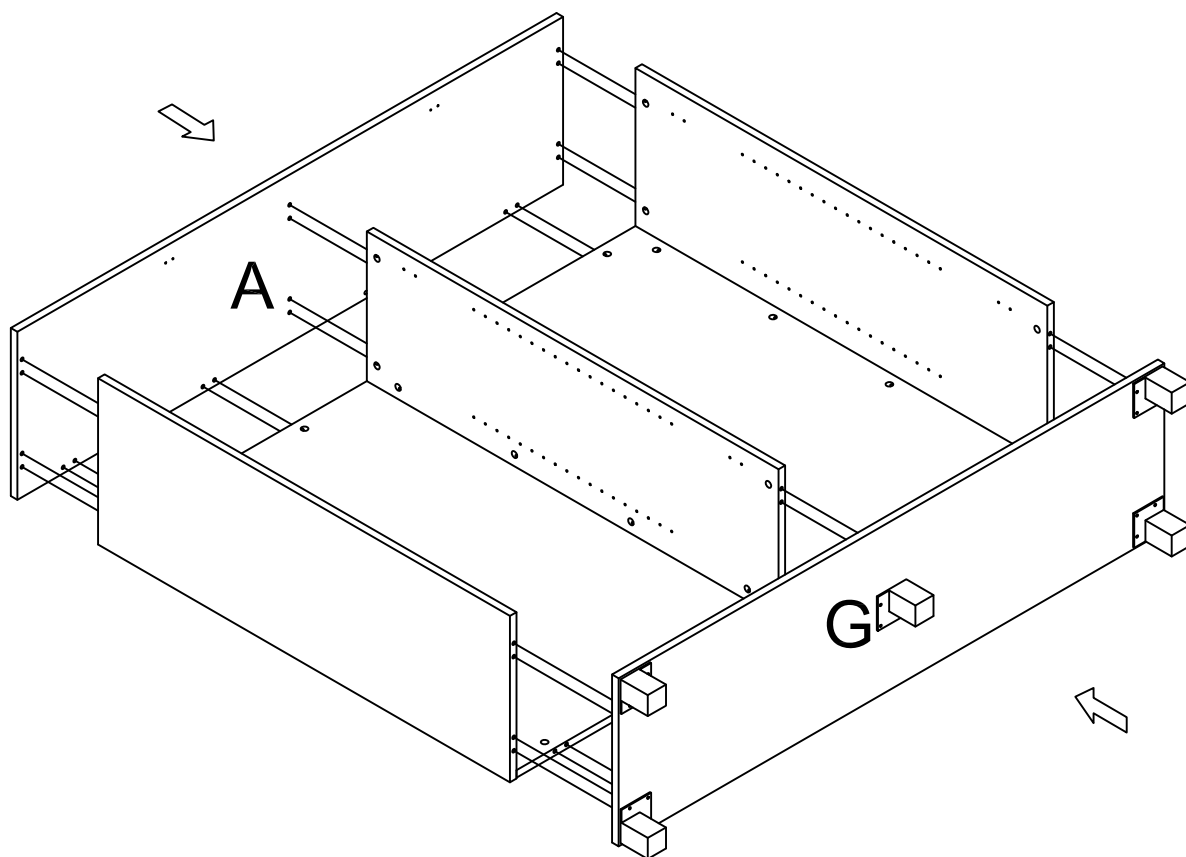
1



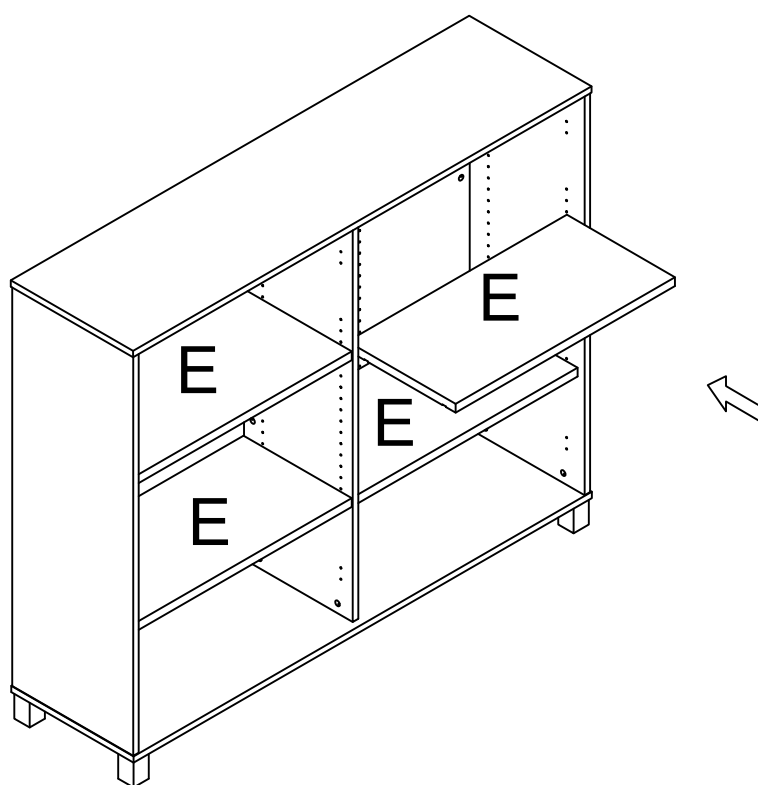
2



3



4

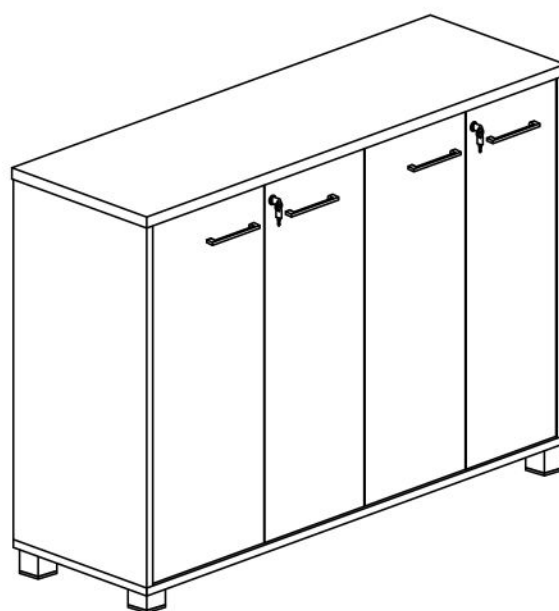


READY2GO

ASSEMBLY INSTRUCTIONS
ST-CR18 & ST-WBC18

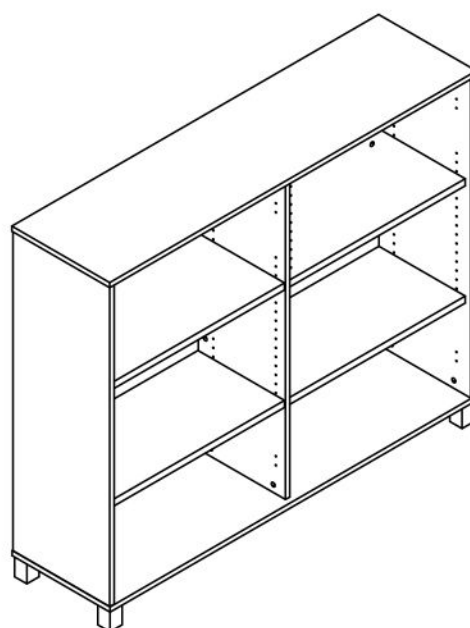
OPTION 1

ST-CR18



OPTION 2

ST-WBC18





c1 6*35 Cam Bolt-32



d1 8*30 Dowel Pin-32



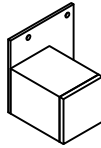
e2 (3/8") Cam Cover-32



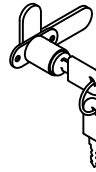
f1 4*16 Screw-75



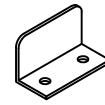
p1 Threaded Dowel Pin-16



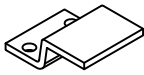
m2 Metal Leg-5



k4 Lock-2



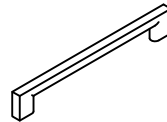
k1 Lock Catch-2



k5 Lock Catch-2



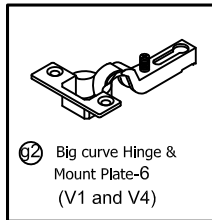
s7 4*22 Fix Bolt-8



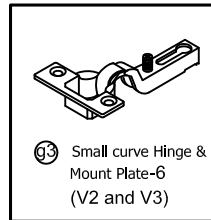
h4 Handle-4



g1 Hinge Stand-12

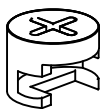


g2 Big curve Hinge & Mount Plate-6 (V1 and V4)



g3 Small curve Hinge & Mount Plate-6 (V2 and V3)

Pre-installed parts



c5 Cam

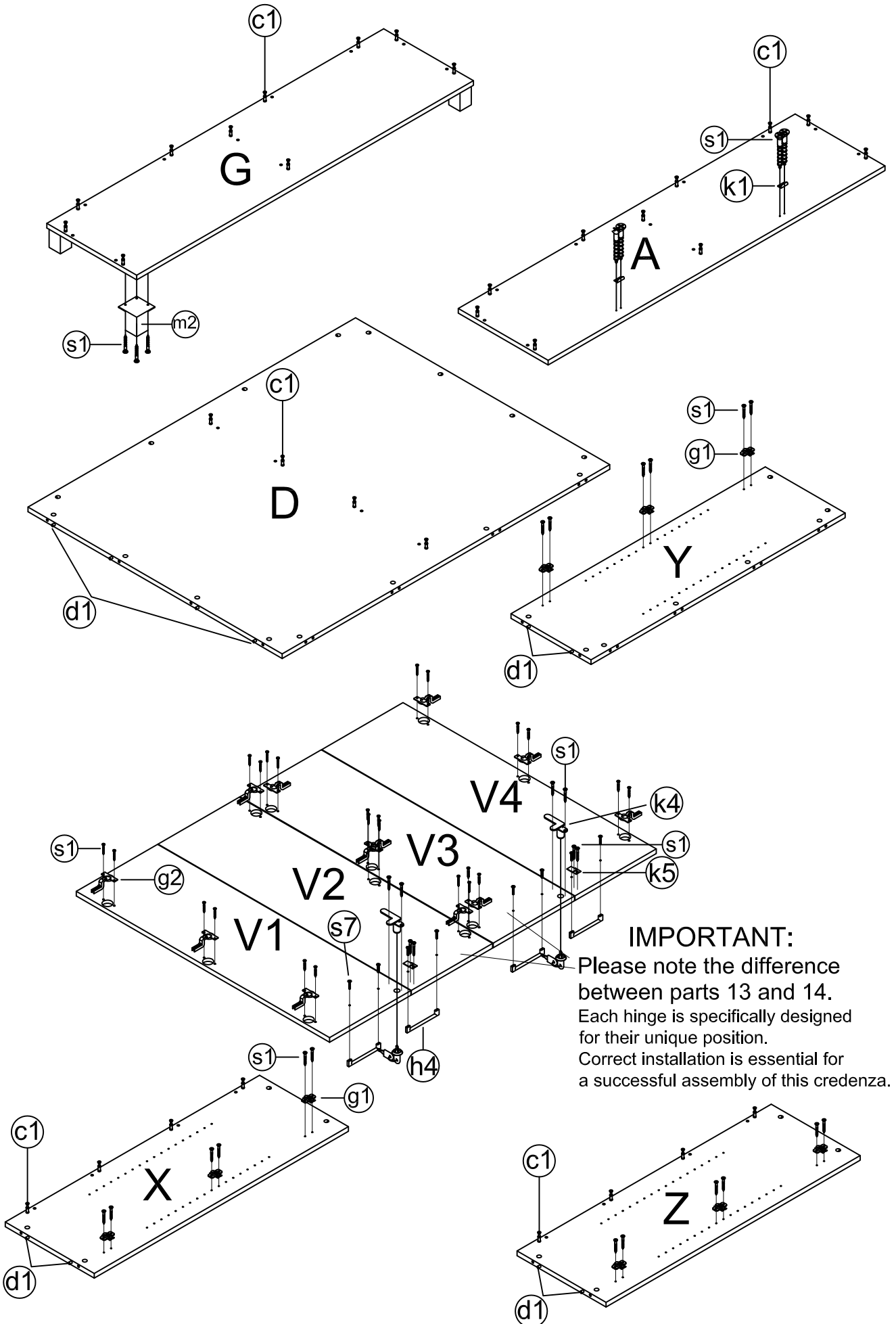
IMPORTANT:

Please note the difference between parts g2 and g3.

Each hinge is specifically designed for their unique position.

Correct installation is essential for a successful assembly of this credenza.

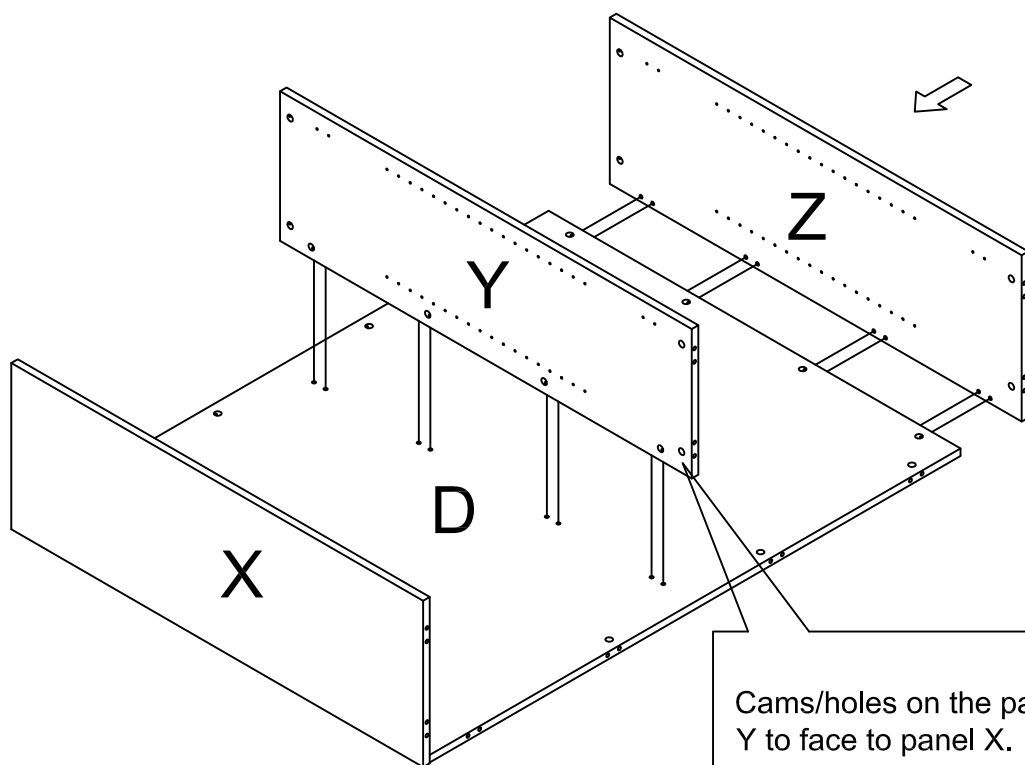
1



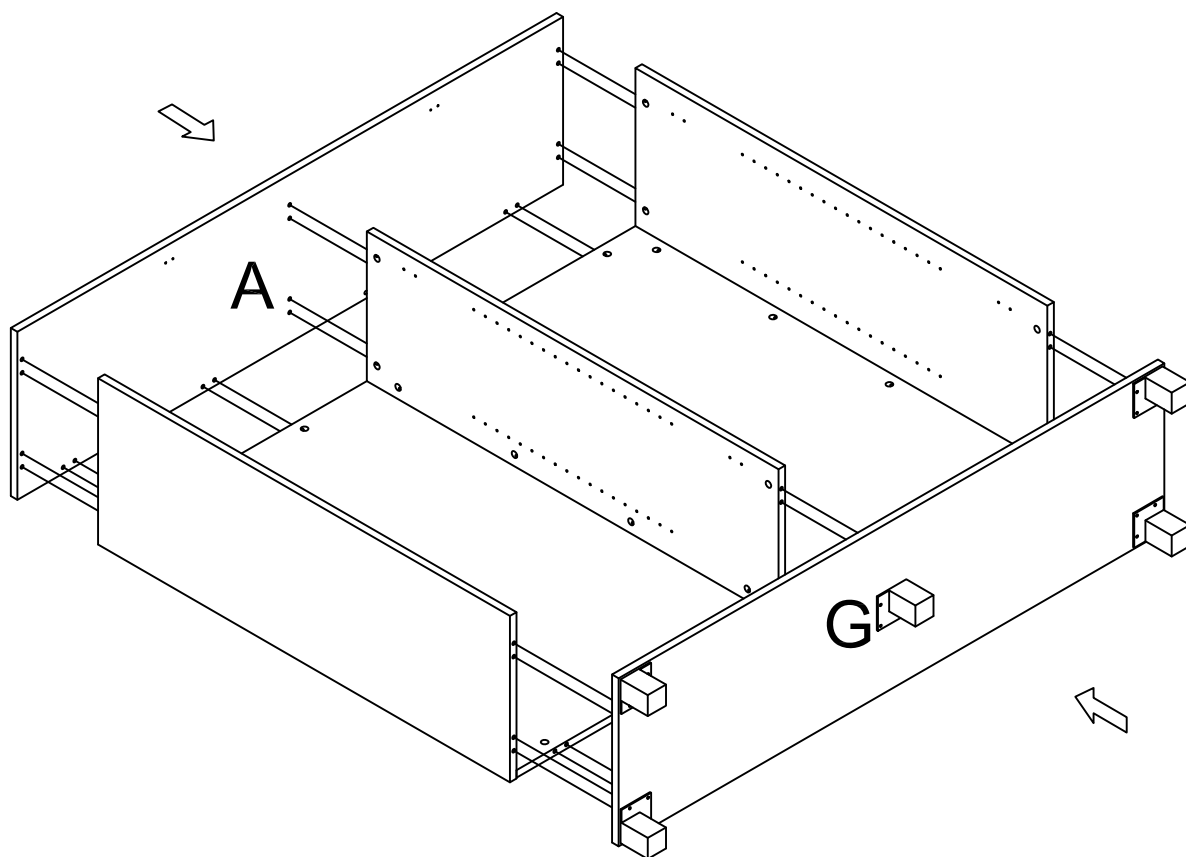
IMPORTANT:

Please note the difference between parts 13 and 14. Each hinge is specifically designed for their unique position. Correct installation is essential for a successful assembly of this credenza.

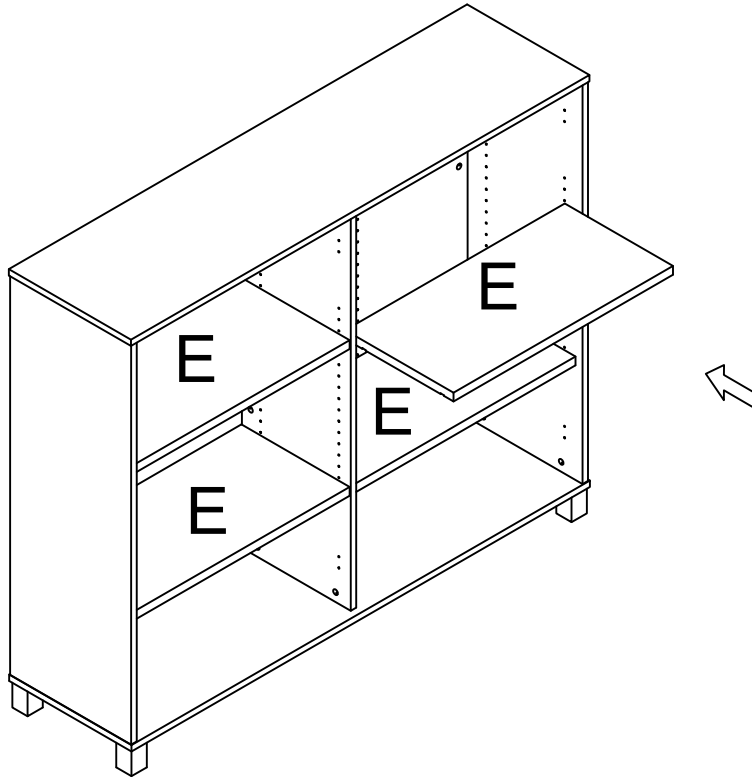
2



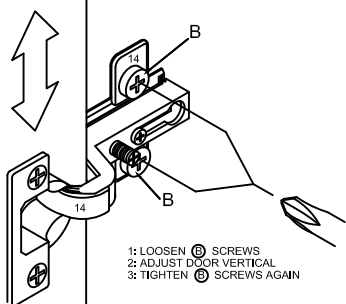
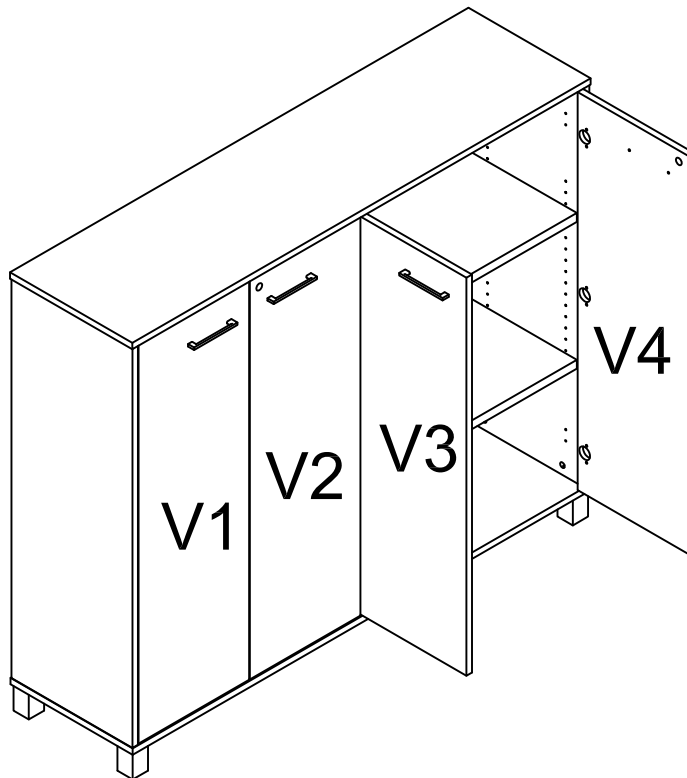
3



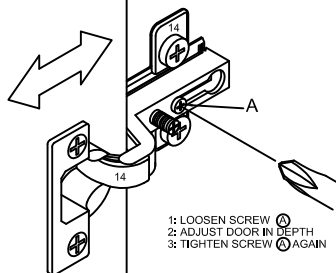
4



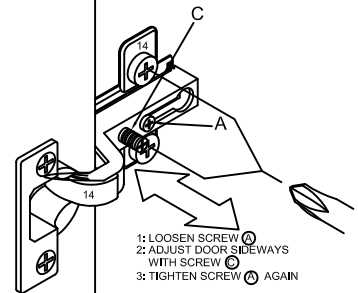
5



- 1: LOOSEN **B** SCREWS
- 2: ADJUST DOOR VERTICAL
- 3: TIGHTEN **B** SCREWS AGAIN



- 1: LOOSEN SCREW **A**
- 2: ADJUST DOOR IN DEPTH
- 3: TIGHTEN SCREW **A** AGAIN



- 1: LOOSEN SCREW **C**
- 2: ADJUST DOOR SIDWAYS WITH SCREW **C**
- 3: TIGHTEN SCREW **C** AGAIN

OPTION 2



c1 6*35 Cam Bolt-32



d1 8*30 Dowel Pin-32



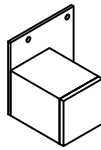
c2 (3/8") Cam Cover-32



s1 4*16 Screw-15

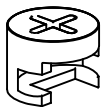


p1 Threaded Dowel Pin-16



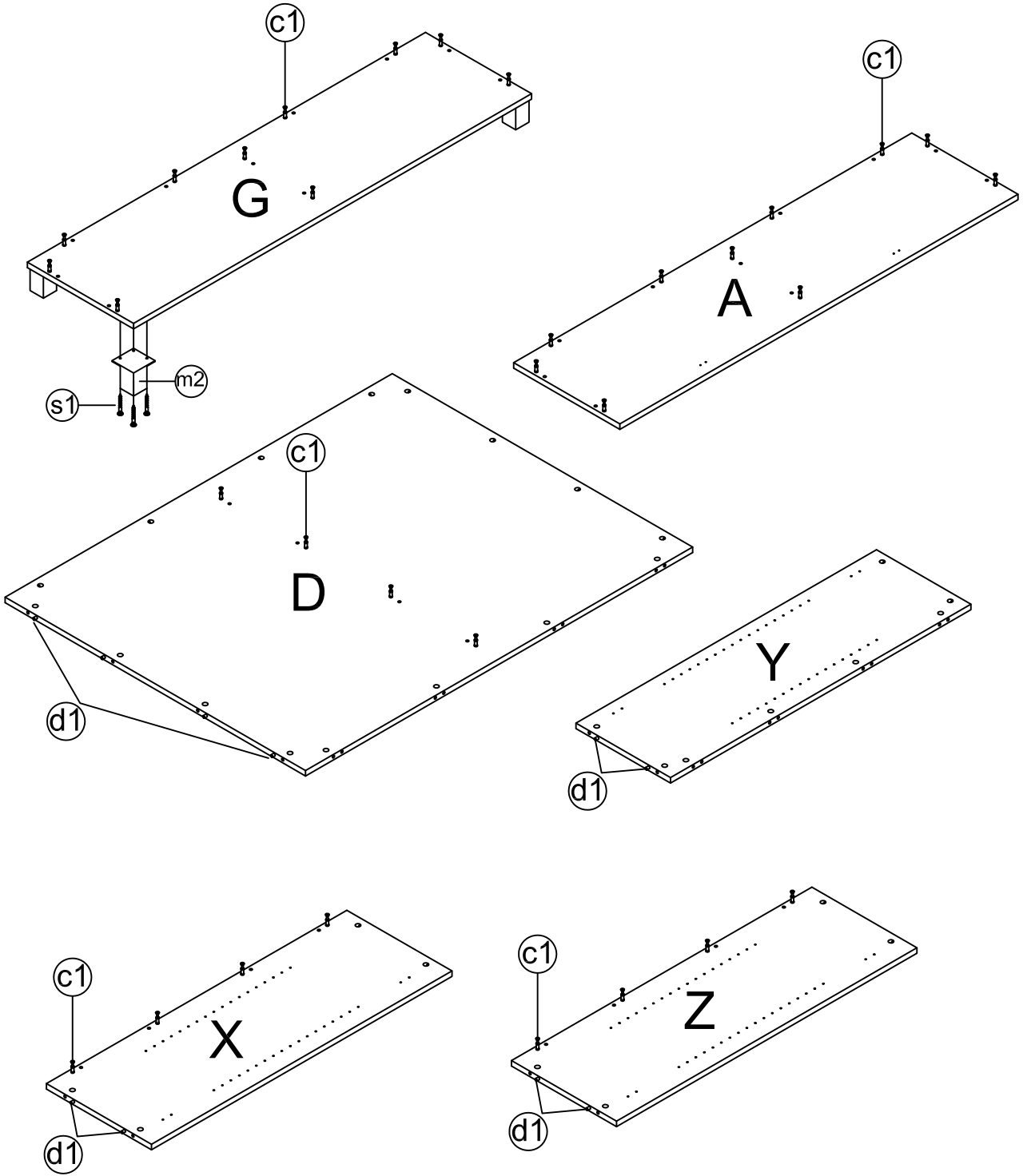
m2 Metal Leg-5

Pre-installed parts

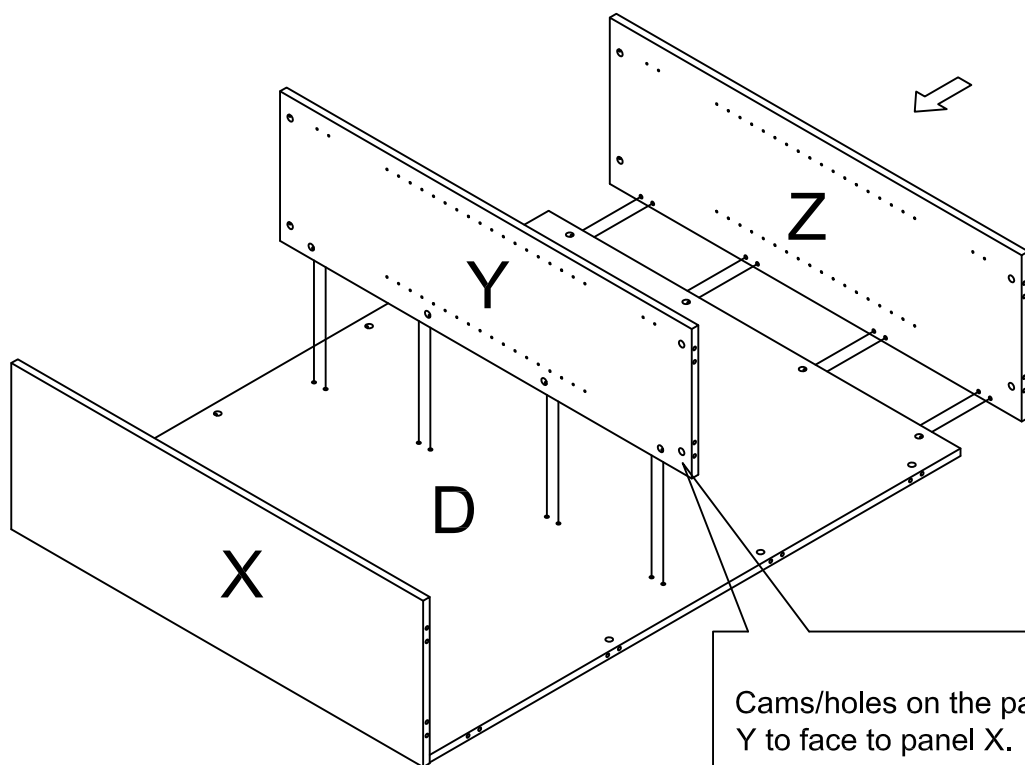


c5 Cam

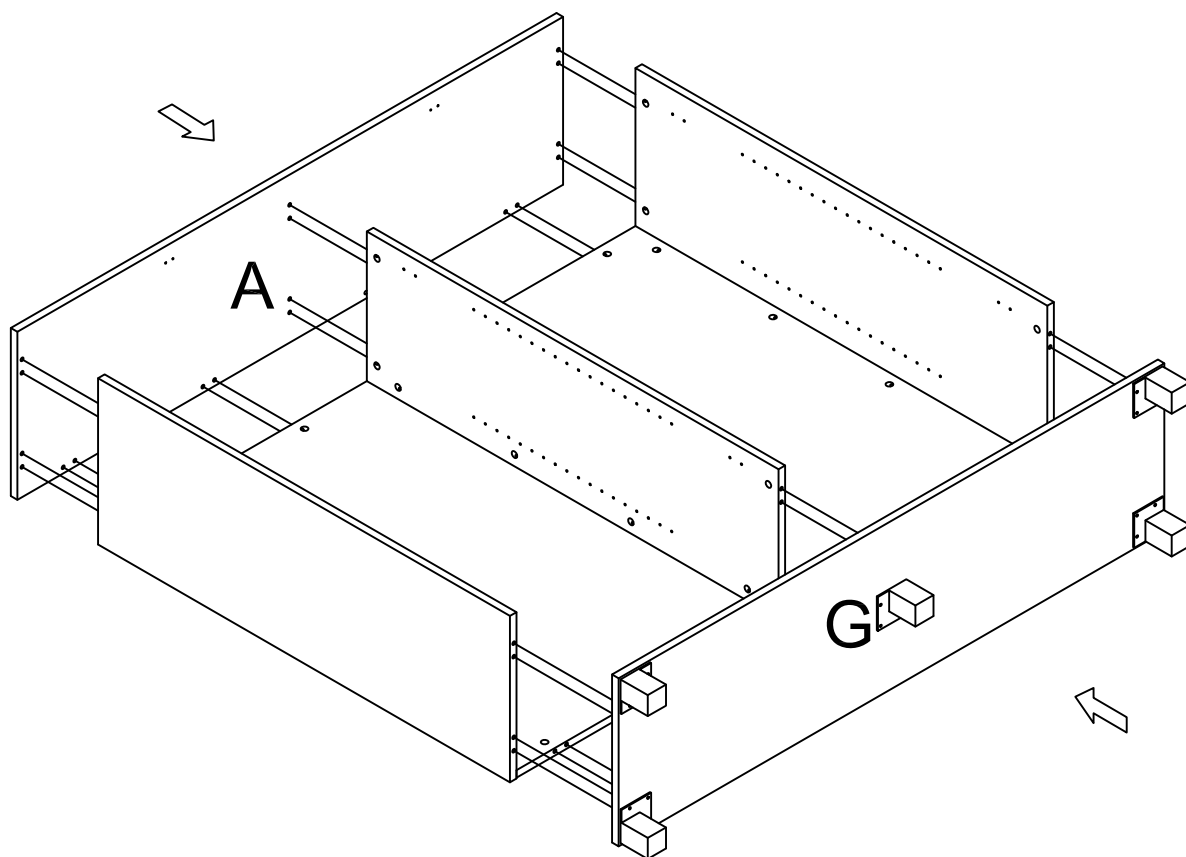
1



2



3



4

