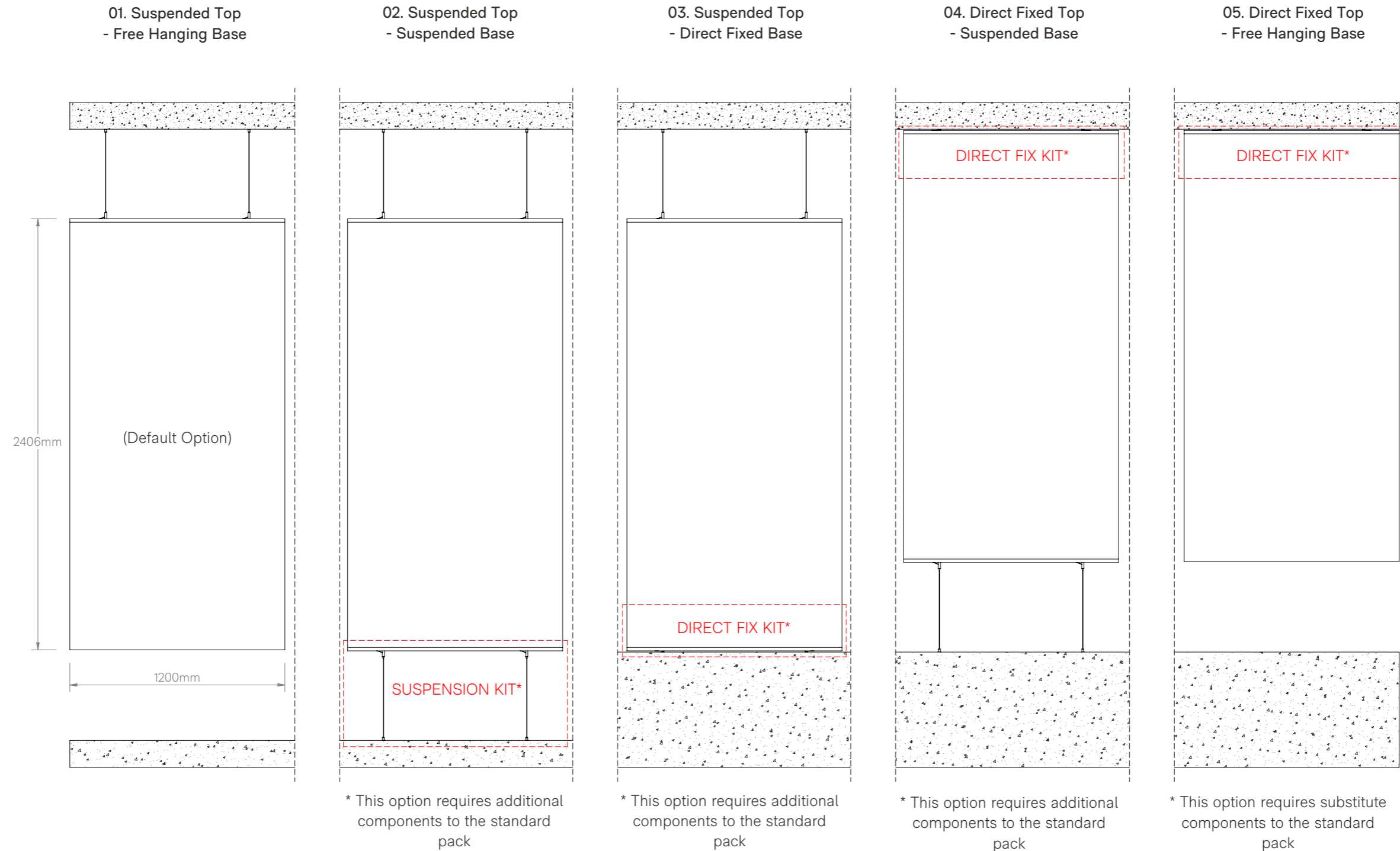
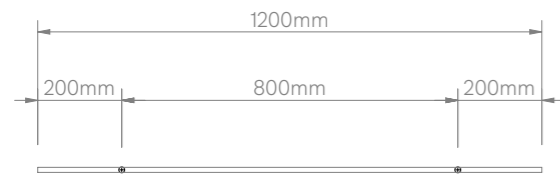


CASCADE HANGING OPTIONS



Before work commences, please ensure you take the time to plan out your Cascade install, plan out your fixing points and the spacings of the screens.

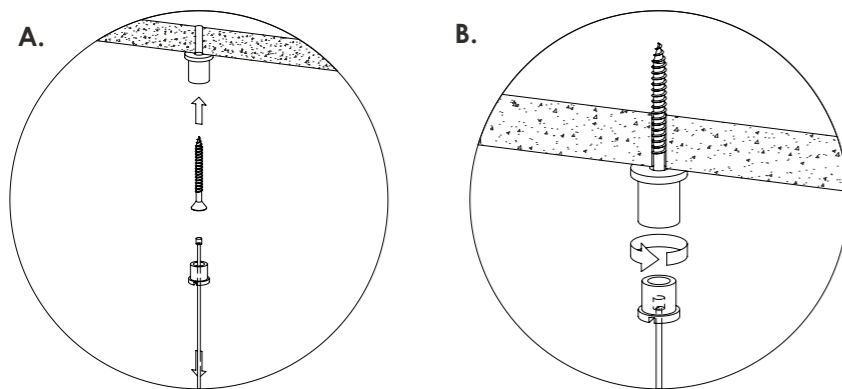
- 1.** Mark out fixing points as shown for each screen.



- 2.** A. Unscrew cap from the ceiling connector base and screw the base part to the ceiling as marked out in step 1. Thread the supplied cable through the cap so that the ball stop sits inside the cap.

B. Screw the cap back into the base.

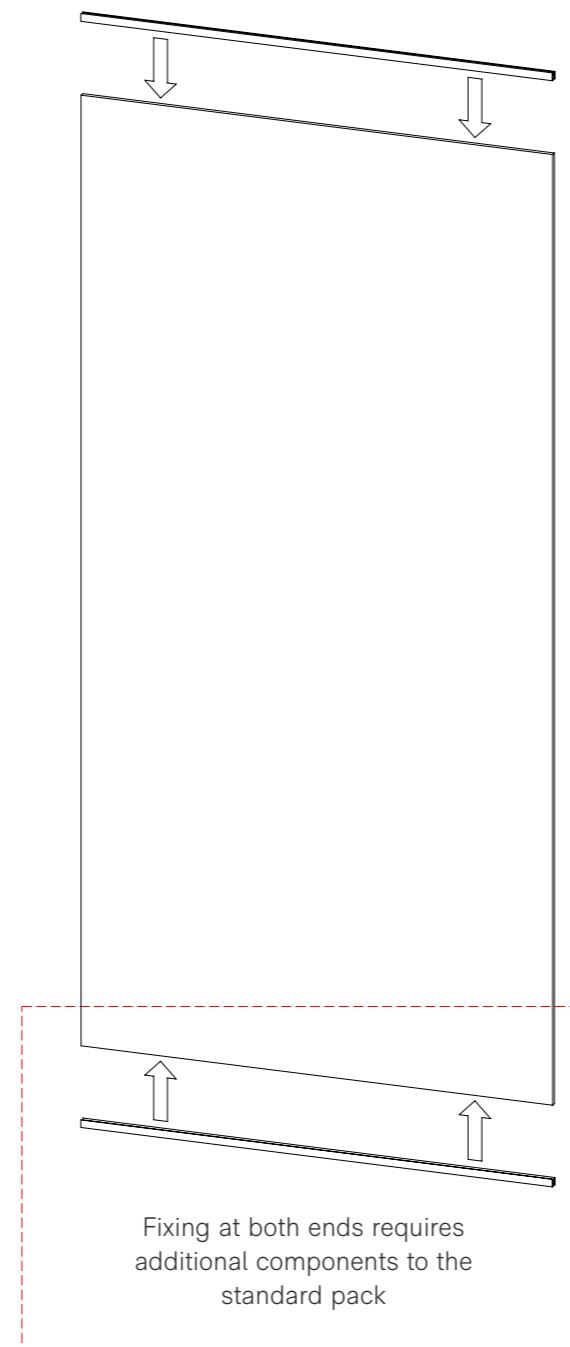
Repeat for the other suspension kit(s)



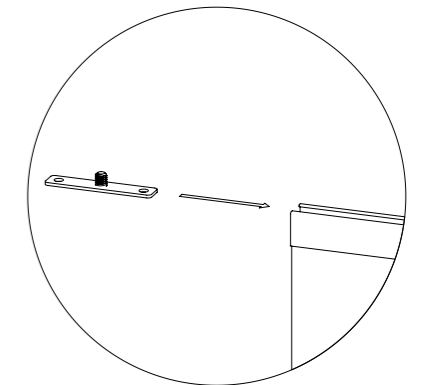
- 3.** Press extrusion firmly onto the top of the screen, ensuring it is seated fully.

For extra grip, gently squeeze the channel that is holding the screen along its length.

If screen is to be fixed at the base, repeat as per the top with additional direct fix or suspension kit.

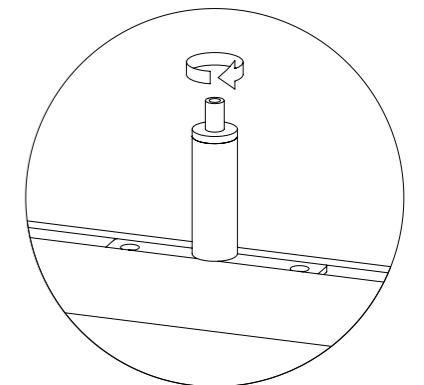


- 4.** Slide connector plate into the top of the channel at both ends.



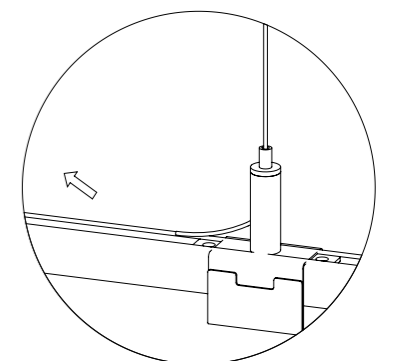
- 5.** With the connector plate in the position indicated in step 1, screw the adjustment barrel into the threaded boss.

Hand tighten to lock in position.



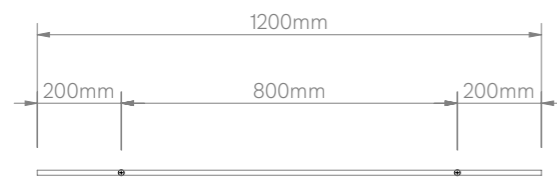
- 6.** Lift screen up and thread the loose end of the wire through each adjustment barrel as shown.

Pull on the loose end to tighten or press down on top of the barrel to loosen.

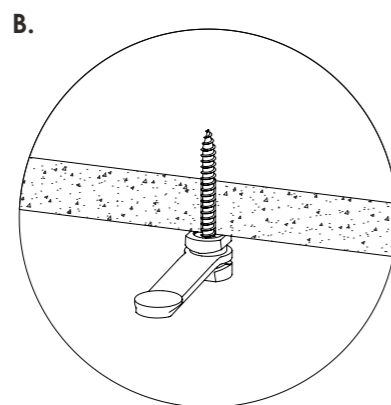
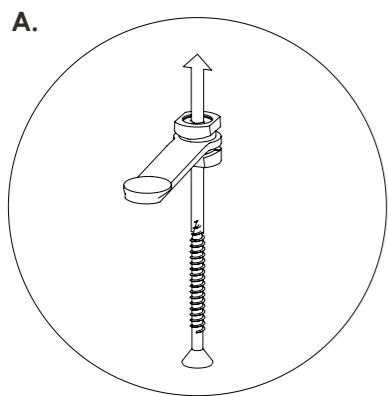


Before work commences, please ensure you take the time to plan out your Cascade install, plan out your fixing points and the spacings of the screens.

- 1.** Mark out fixing points as shown for each screen.



- 2.** A. Preset suitable 6-8g screw (not supplied) into Autex Mounting Clips x2 (RAFTCC)  
B. Screw into ceiling at marked fixing points



- 3.** Press extrusion firmly onto the top of the screen, ensuring it is seated fully.

For extra grip, gently squeeze the channel that is holding the screen along its length.

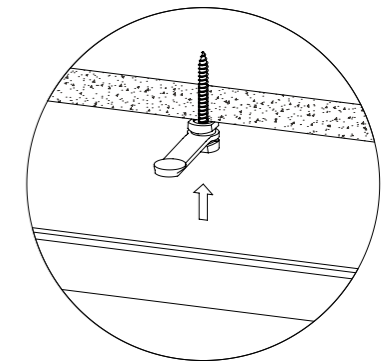
If the screen is to be fixed at the base, repeat as per the top with additional direct fix or suspension kit.



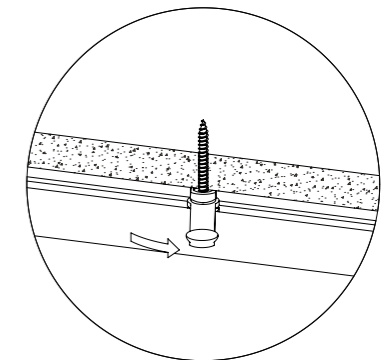
Fixing at both ends requires additional components to the standard pack

- 4.** Offer up the screen to the installed Autex mounting clips.

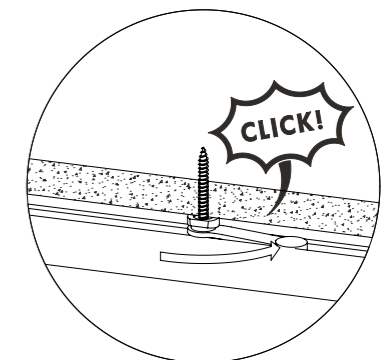
Make sure they are perpendicular to the screen and press channel onto the clips.



- 5.** Twisting the mounting clip handle slightly will hold the screen in place while allowing fine adjustment of the screen left or right.



- 6.** Twist the mounting clip until the handle clicks into the channel to lock the screen in position.

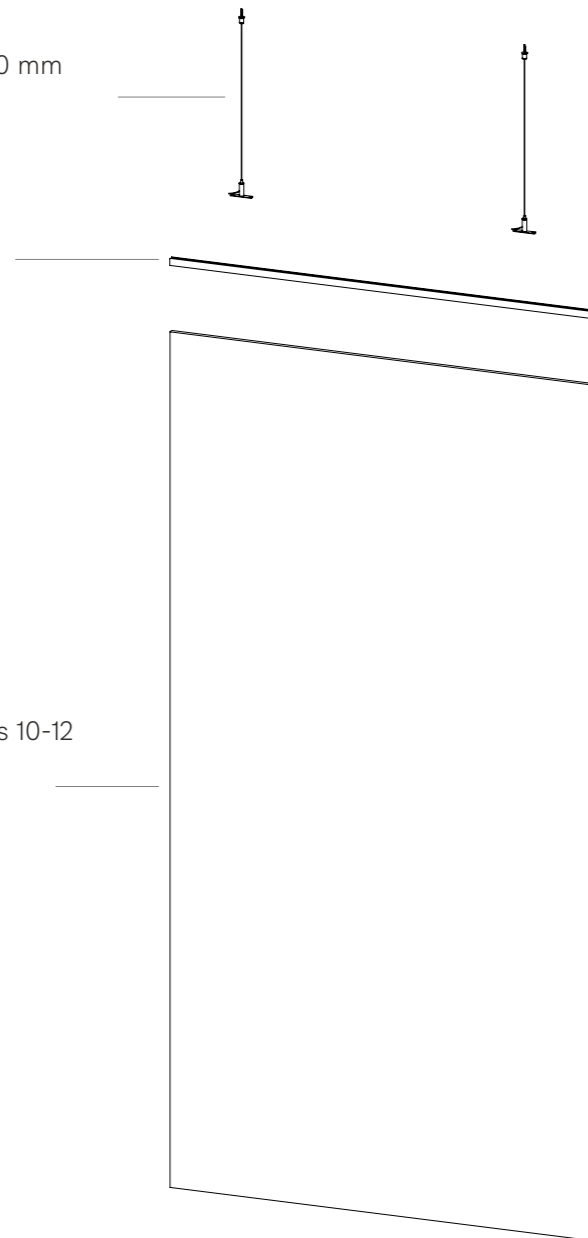


**EXPLODED VIEW**

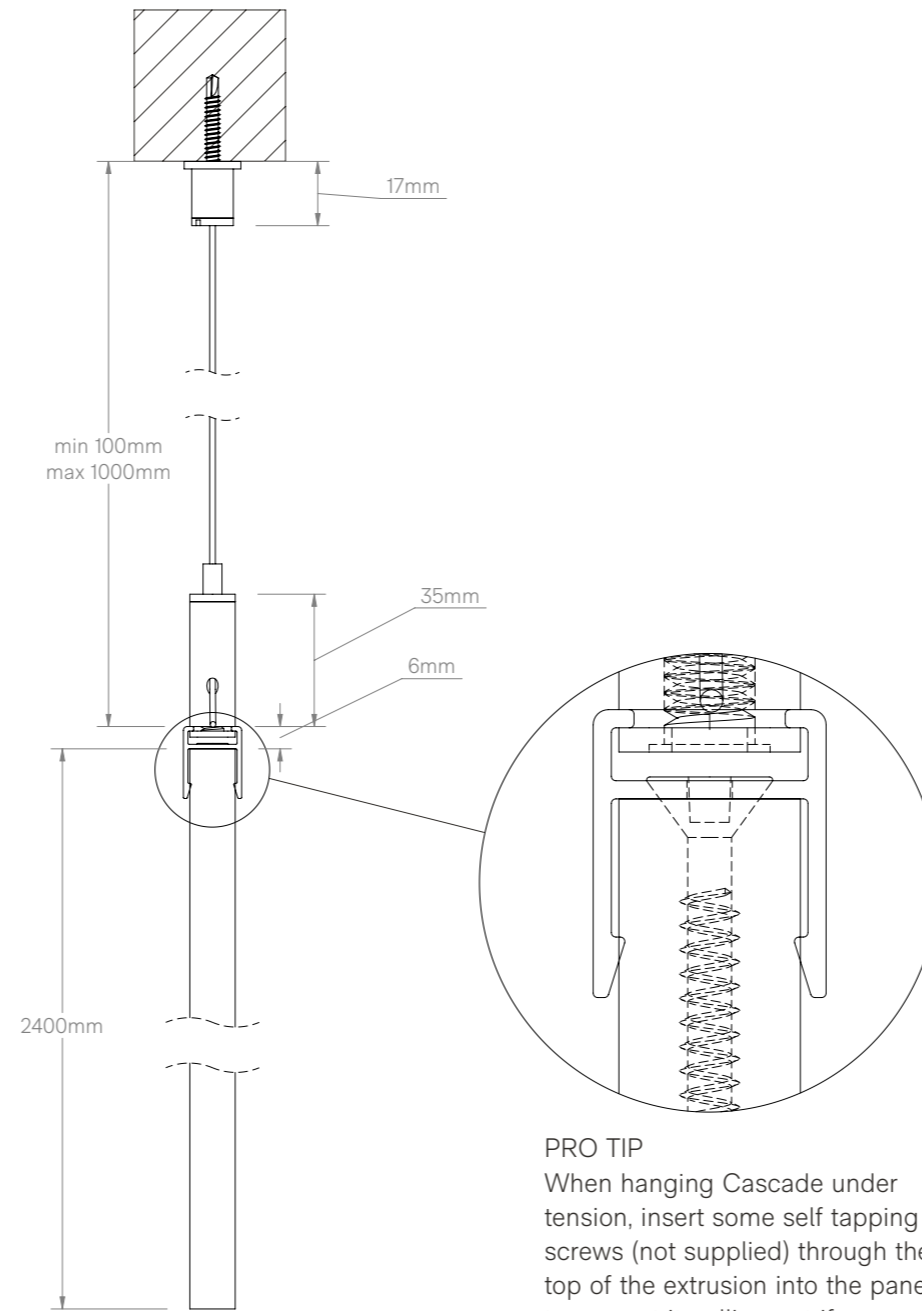
RAHVAS  
Autex Adjustable  
Suspension Set 1000 mm  
cable.

RAFEX  
1200 mm Frontier  
12 mm Extrusion

CASCADE PANEL  
Static/Folding/  
Expanding options  
available. See Pages 10-12  
for more detail



**CROSS SECTION**



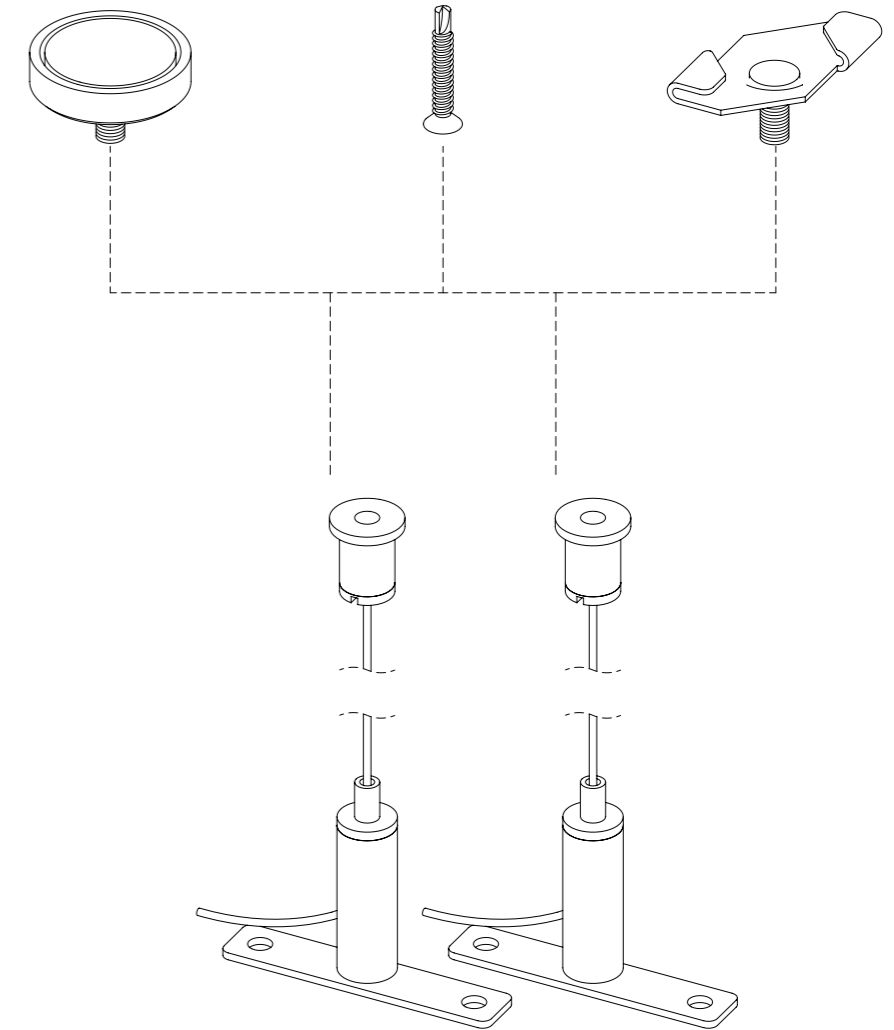
**PRO TIP**  
When hanging Cascade under tension, insert some self tapping screws (not supplied) through the top of the extrusion into the panel to prevent it pulling out if over tightened.

**SUSPENSION OPTIONS**

RAF6MP  
Magnet Pot with M6  
Thread  
(Optional)

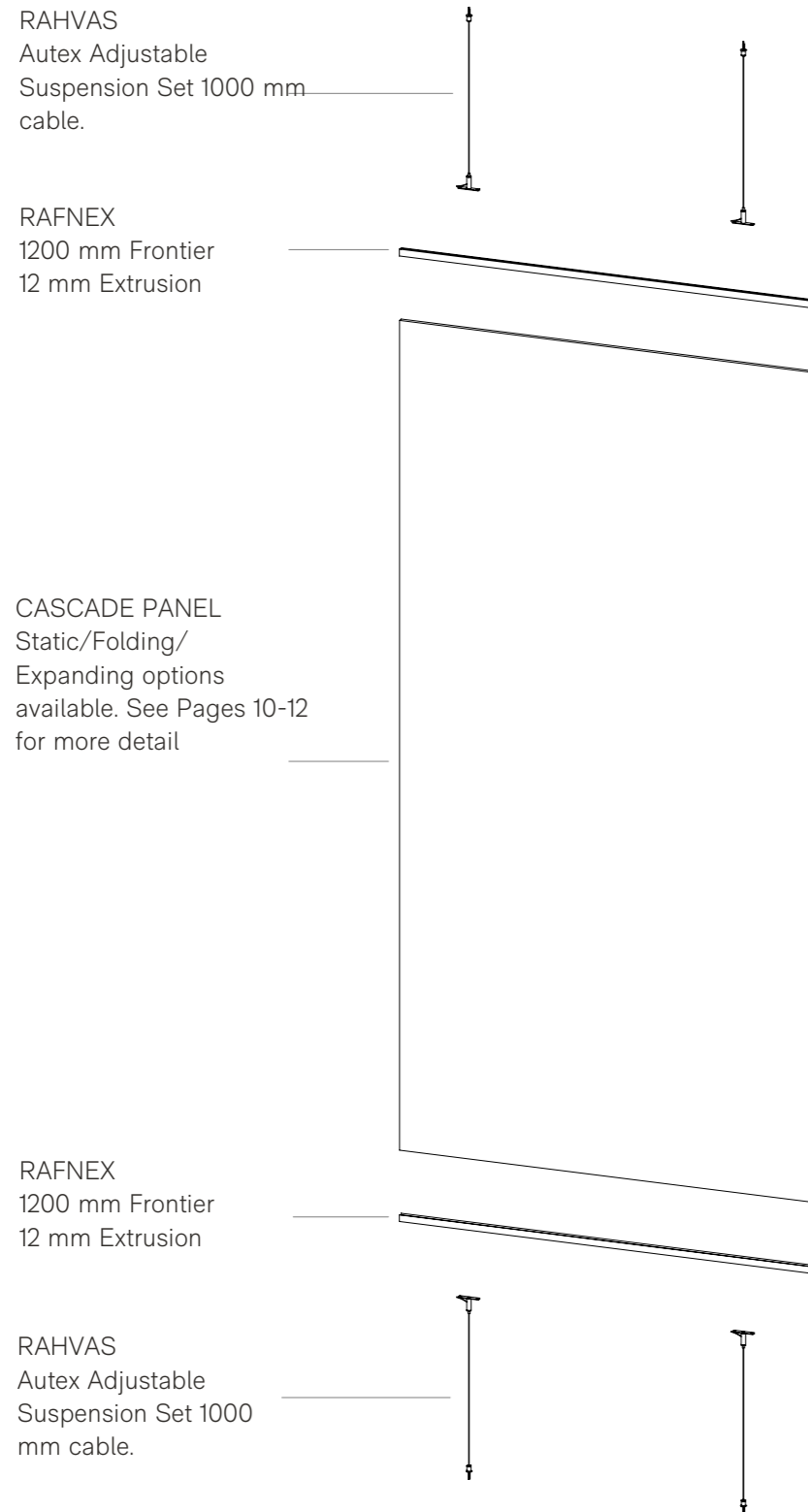
Screw suitable for  
substrate  
(Not Supplied - By  
Others)

RAF6GC  
24 mm Ceiling Grid  
Connector with M6  
Thread  
(Optional)

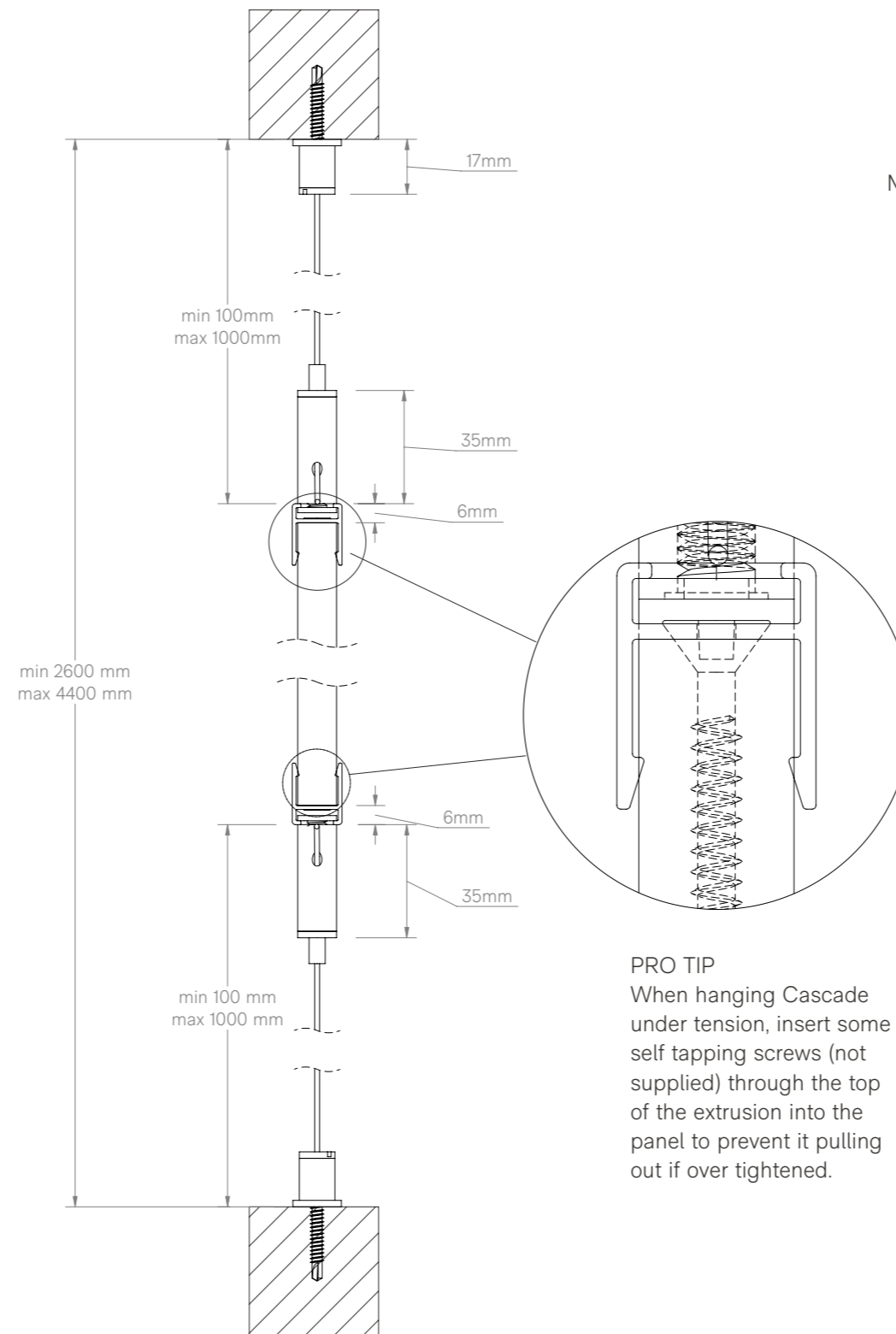


RAHVAS  
Autex Adjustable  
Suspension Set 1000 mm cable  
Channel Connection

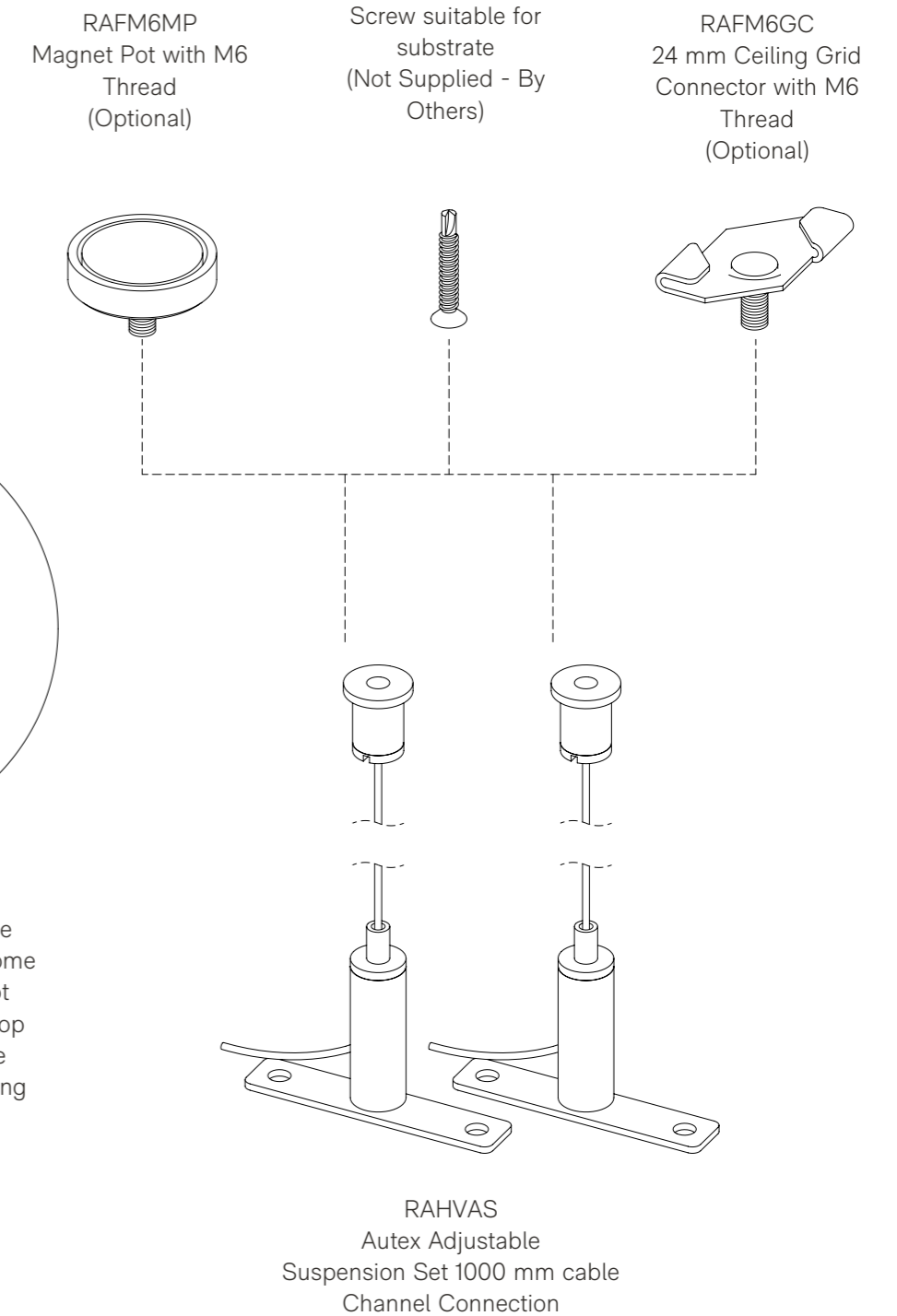
**EXPLODED VIEW**



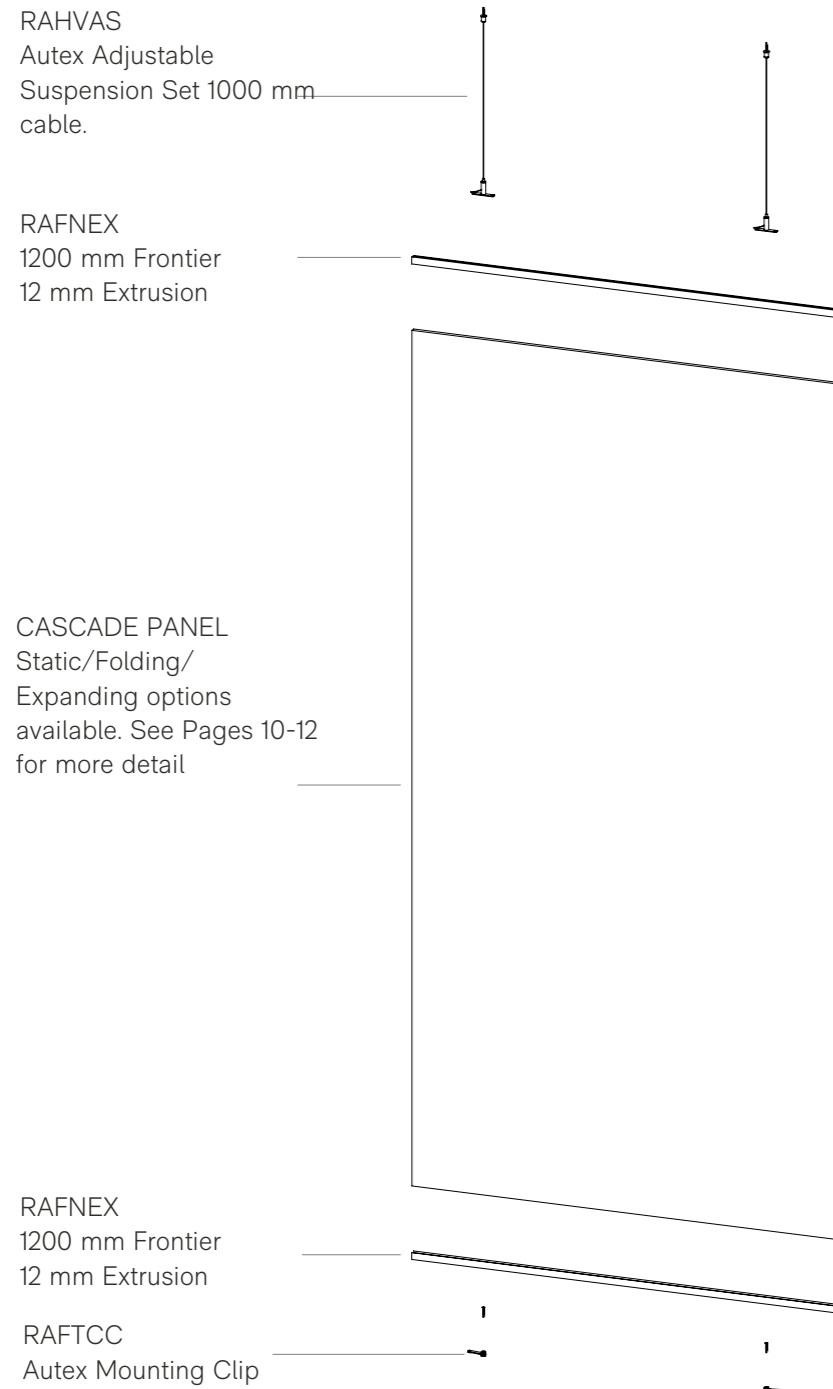
**CROSS SECTION**



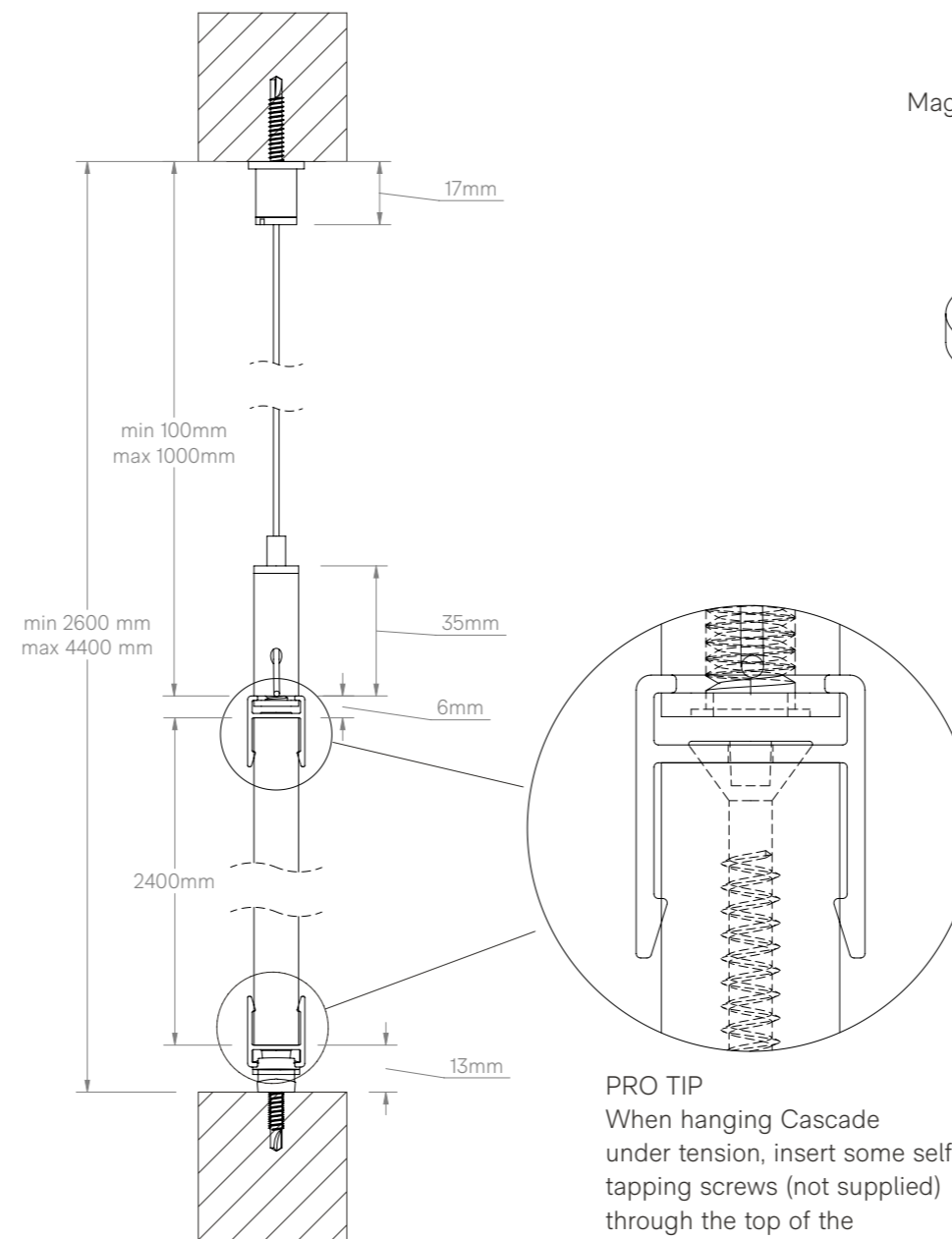
**SUSPENSION OPTIONS**



**EXPLODED VIEW**



**CROSS SECTION**



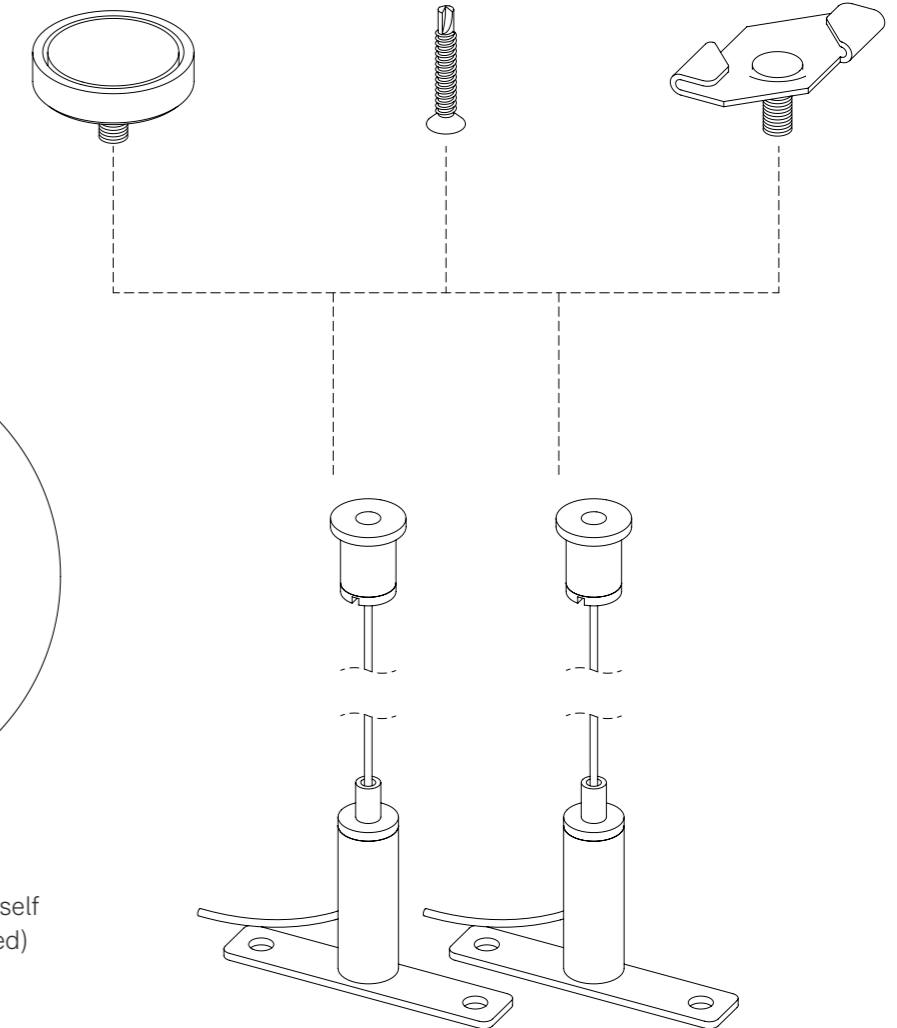
**PRO TIP**  
When hanging Cascade  
under tension, insert some self  
tapping screws (not supplied)  
through the top of the  
extrusion into the panel to  
prevent it pulling out if over  
tightened.

**SUSPENSION OPTIONS**

RAFM6MP  
Magnet Pot with M6  
Thread  
(Optional)

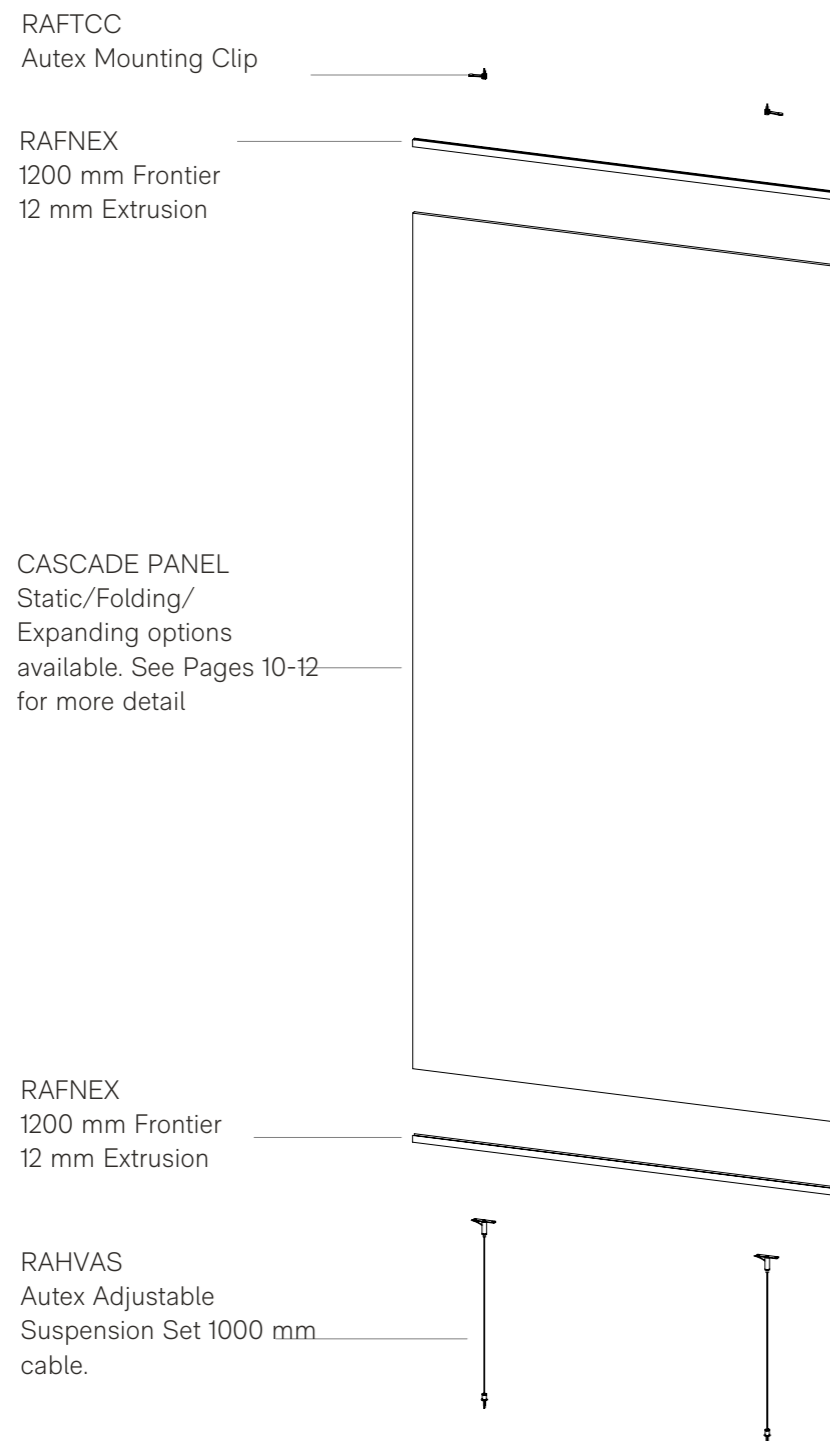
Screw suitable for  
substrate  
(Not Supplied - By  
Others)

RAFM6GC  
24 mm Ceiling Grid  
Connector with M6  
Thread  
(Optional)

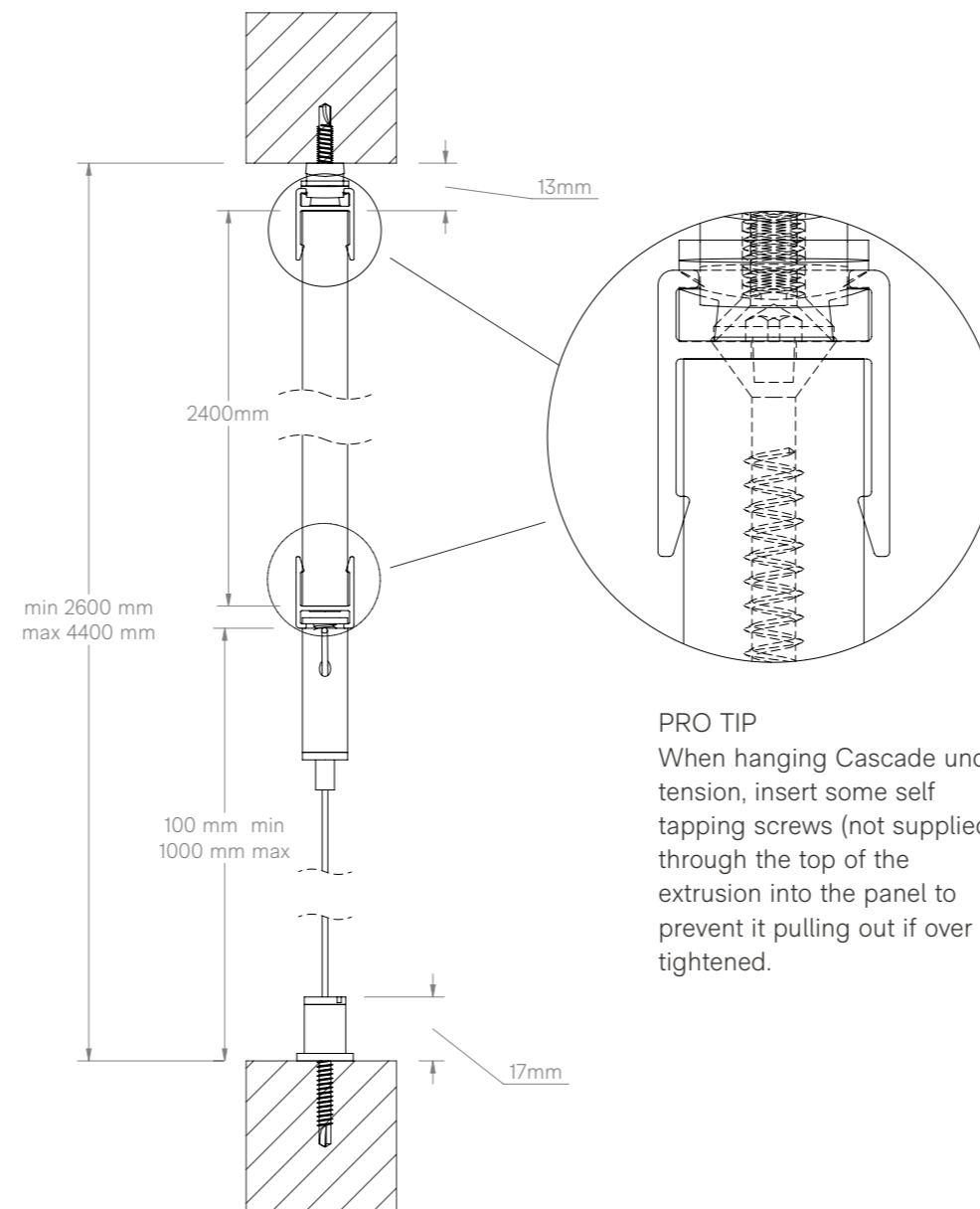


RAHVAS  
Autex Adjustable  
Suspension Set 1000 mm cable  
Channel Connection

**EXPLODED VIEW**

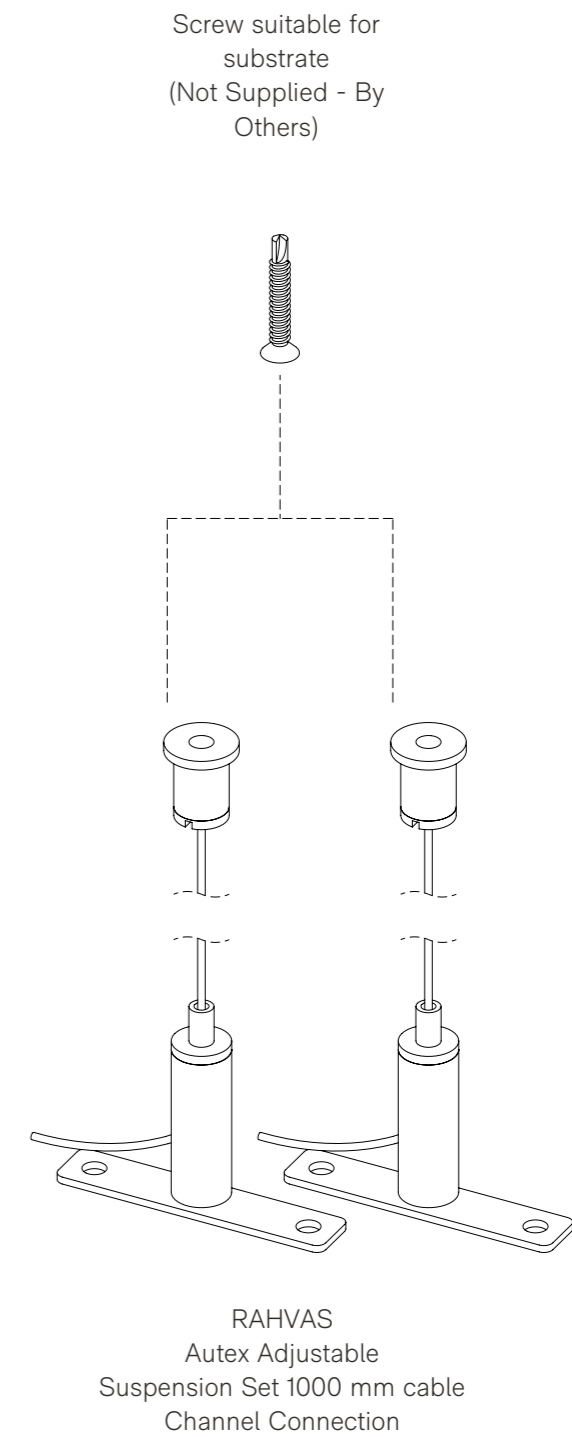


**CROSS SECTION**

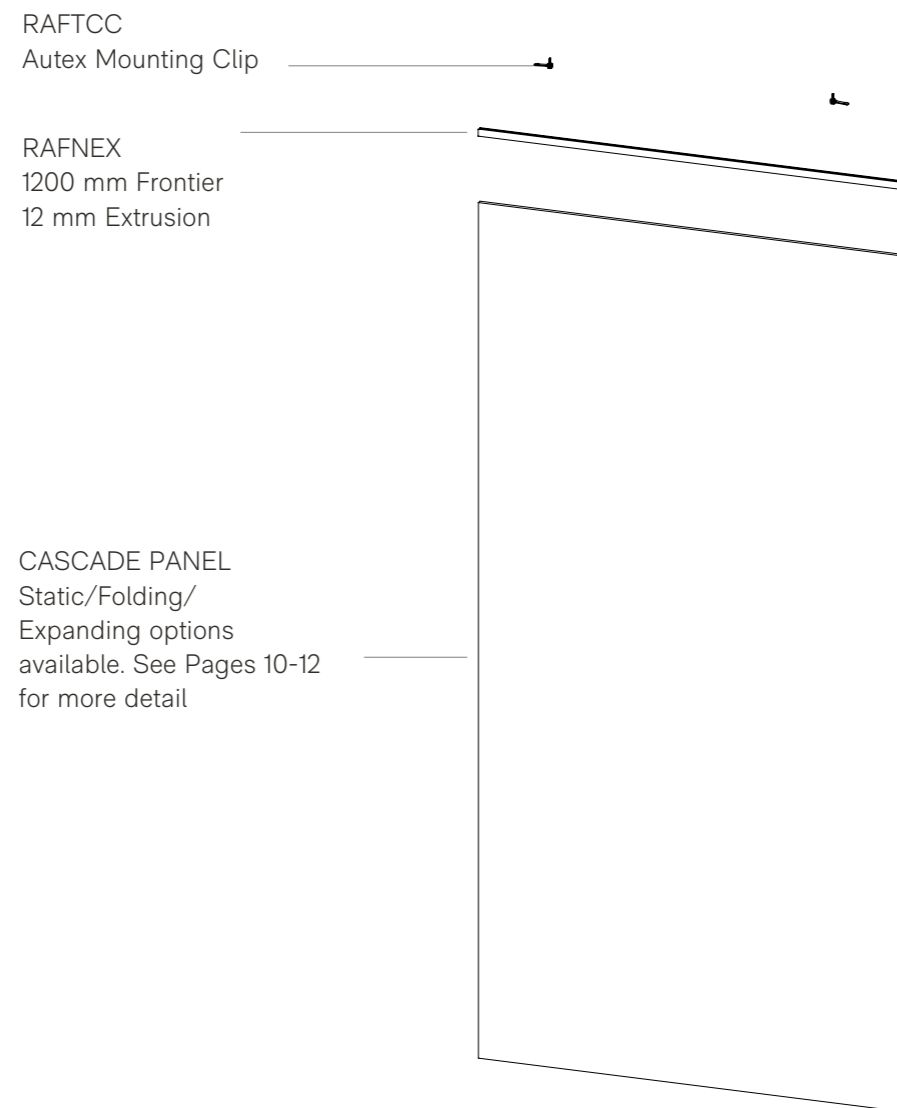


**PRO TIP**  
When hanging Cascade under tension, insert some self tapping screws (not supplied) through the top of the extrusion into the panel to prevent it pulling out if over tightened.

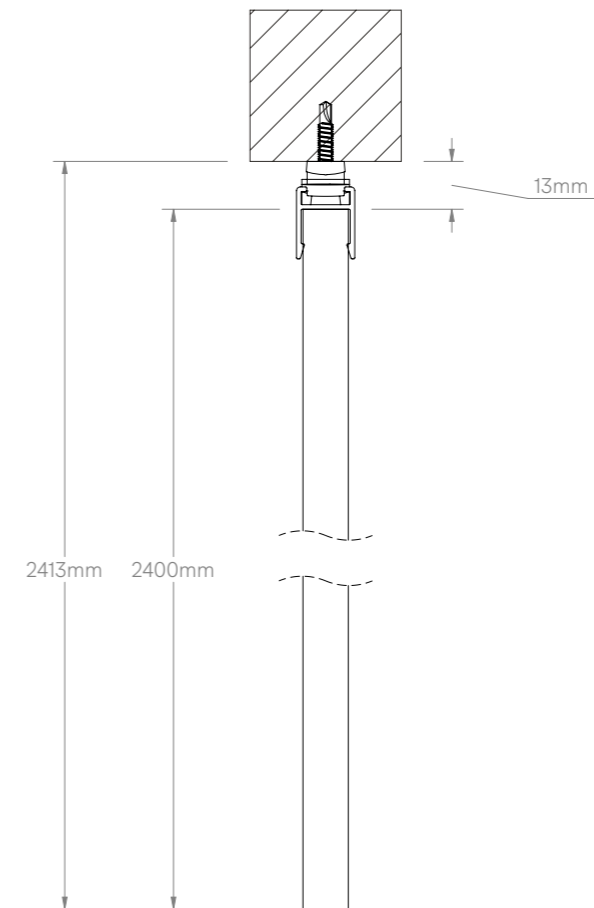
**SUSPENSION OPTIONS  
(for bottom edge)**



**EXPLODED VIEW**

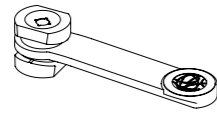


**CROSS SECTION**

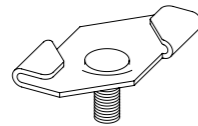




US Patent 10,113,312 | AU Patent 2016250499 | GB Patent 2,545,789 | NZ Patent app 725770

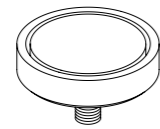


RAFTCC  
Autex Mounting Clip

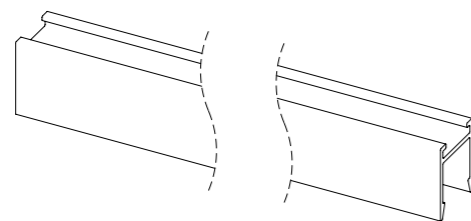


RAFM6GC  
24 mm Ceiling Grid Connector with  
M6 Thread.

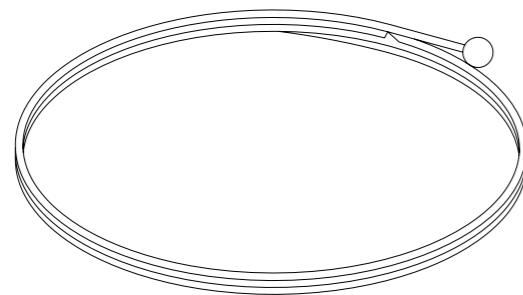
(NOTE: Grid may require re-  
inforcement to carry weight of  
screen.)



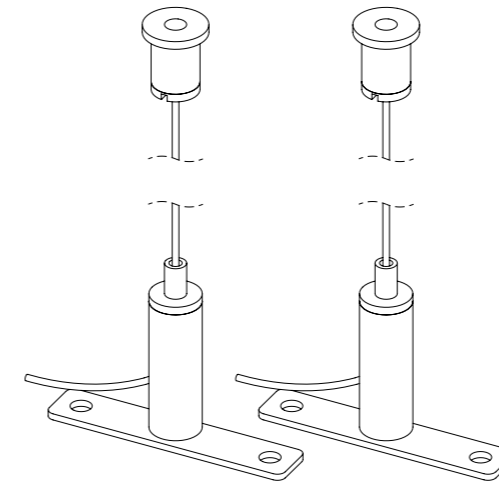
RAFM6MP  
Magnet Pot with M6 Thread and Cable  
Adaptor.



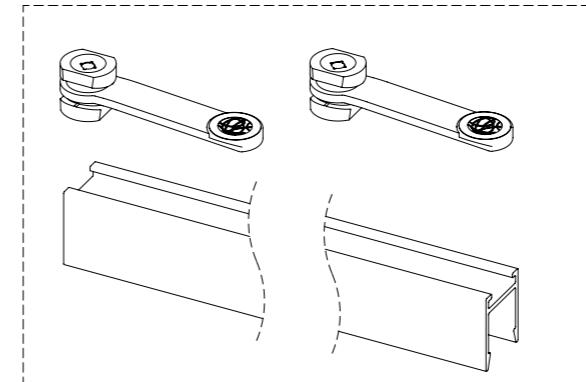
RAFNEXPC1212  
Autex 12 mm Extrusion 1200 mm  
length.  
Powder Coated Finish - Matt  
Charcoal



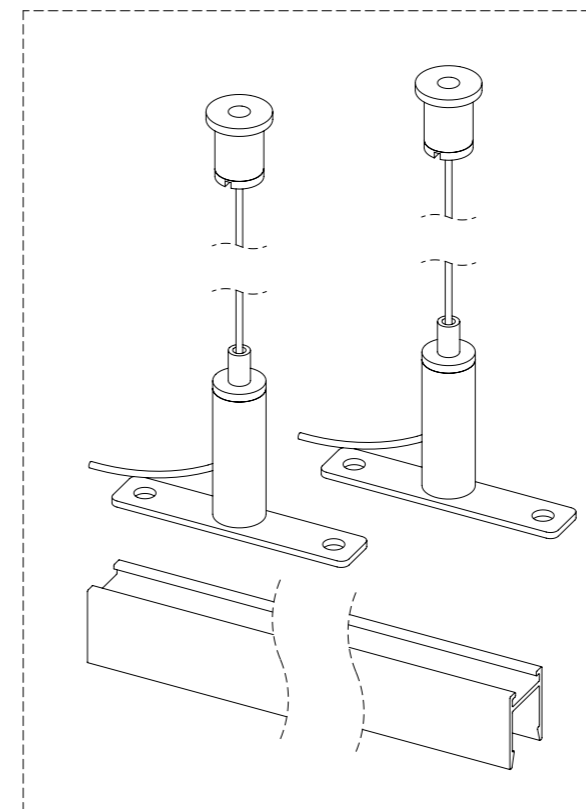
RAH3MBE  
3 m Steel Cable with  
Ball End



RAHVAS  
Autex Adjustable  
Suspension Set 1000 mm  
cable - Channel  
Connection



DIRECT FIX KIT  
2x RAFTCC  
1x RAFNEXPC1212



SUSPENSION KIT  
2x RAHVAS  
1x RAFNEXPC1212