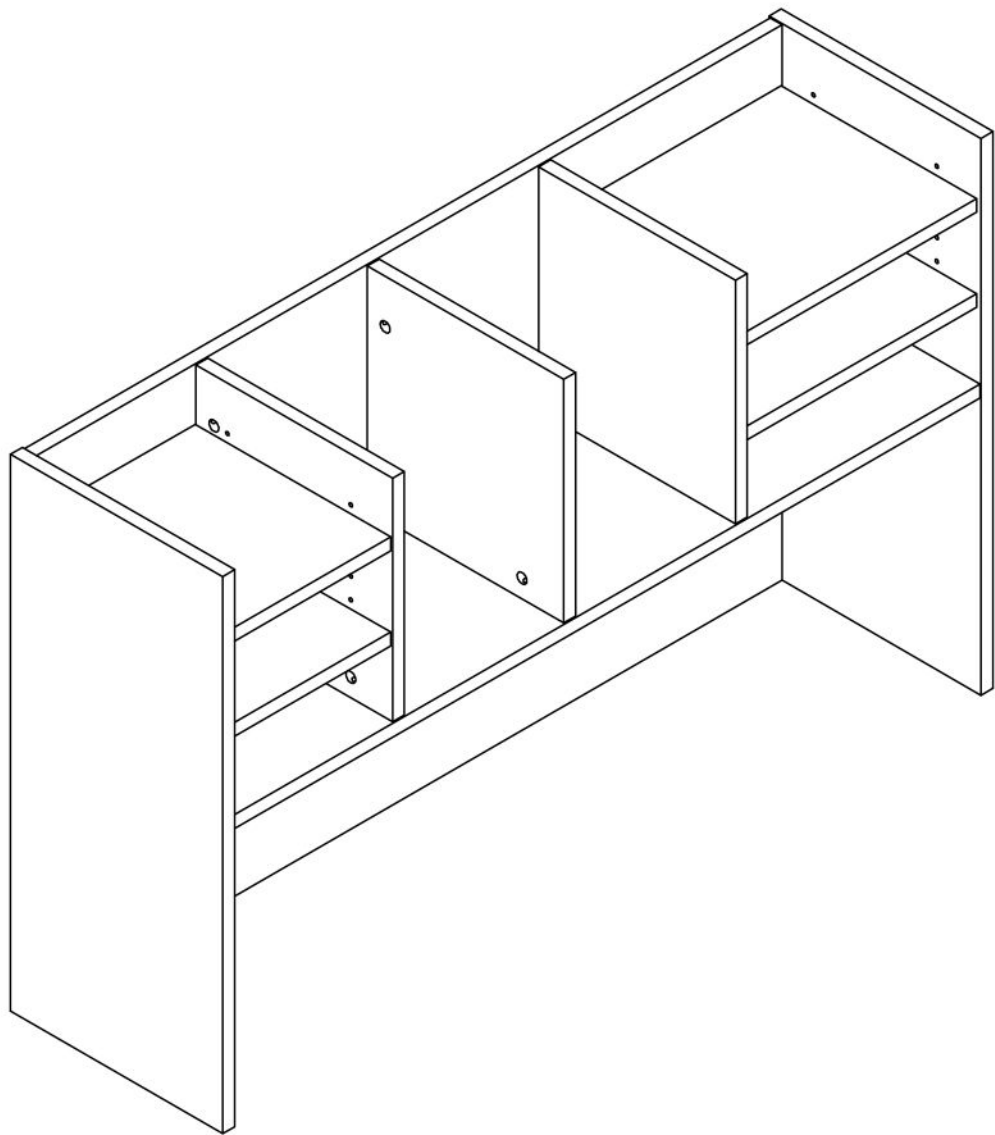
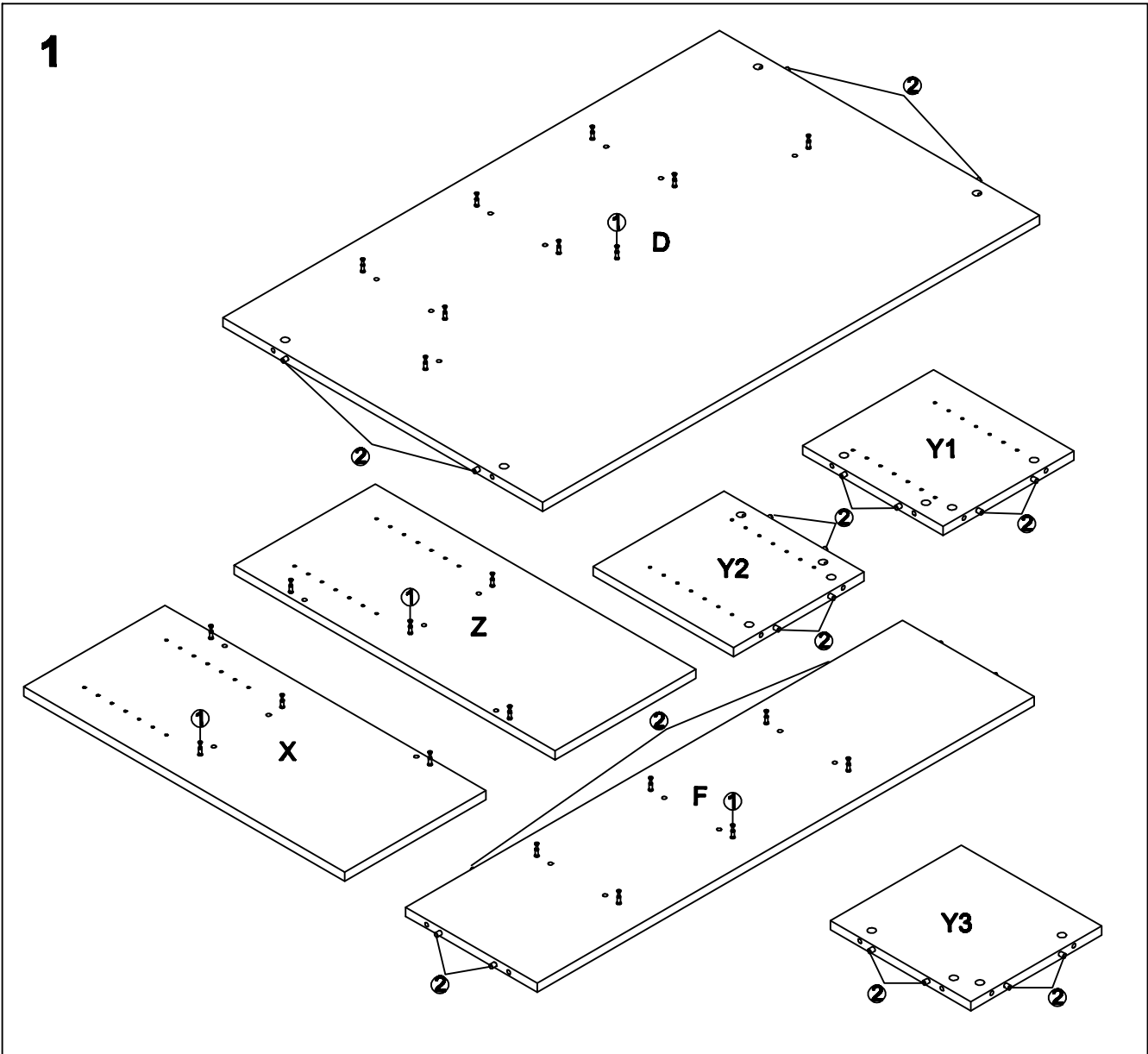
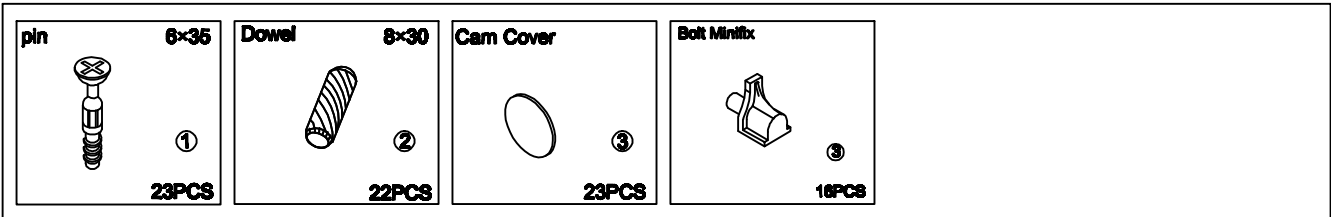
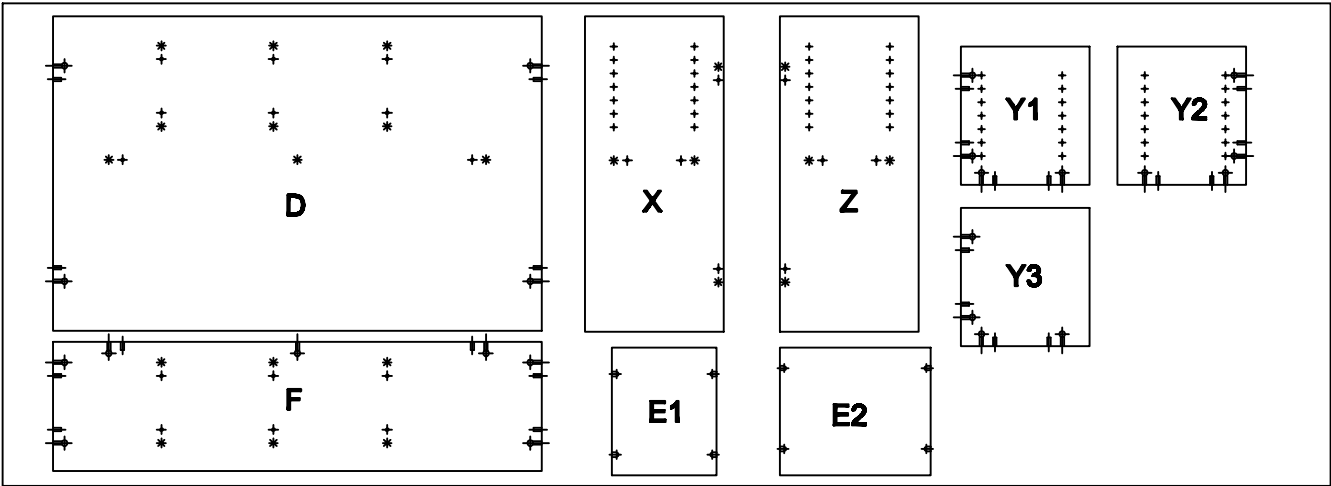


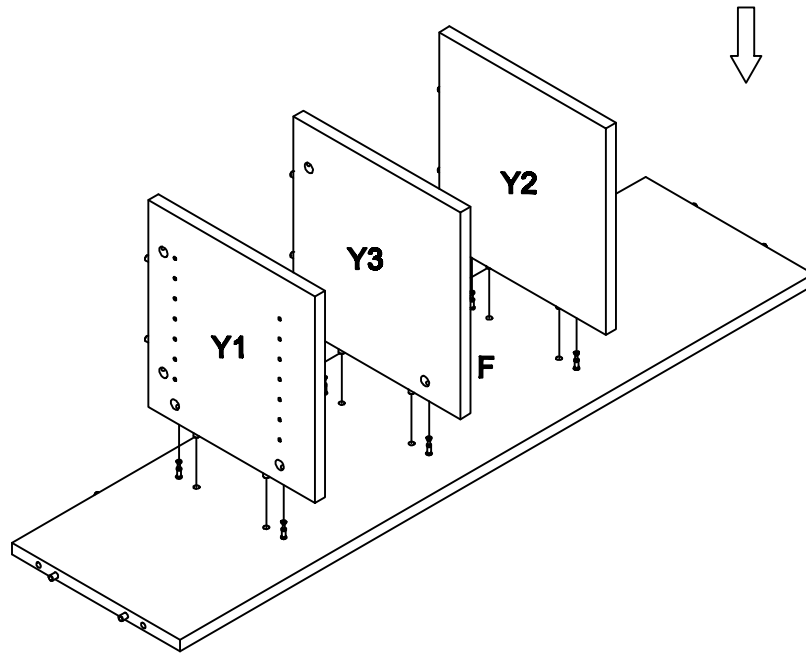
READY2GO

**ASSEMBLY INSTRUCTIONS
R20-DC12**

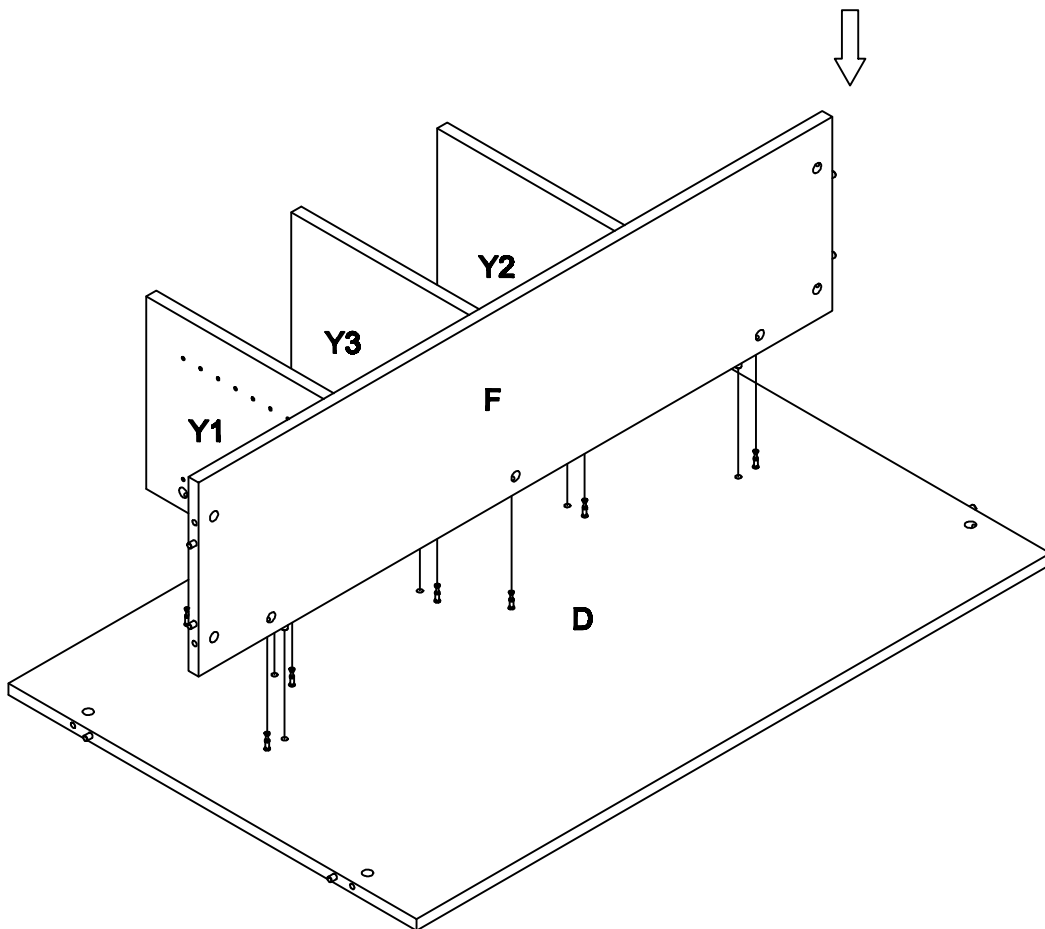




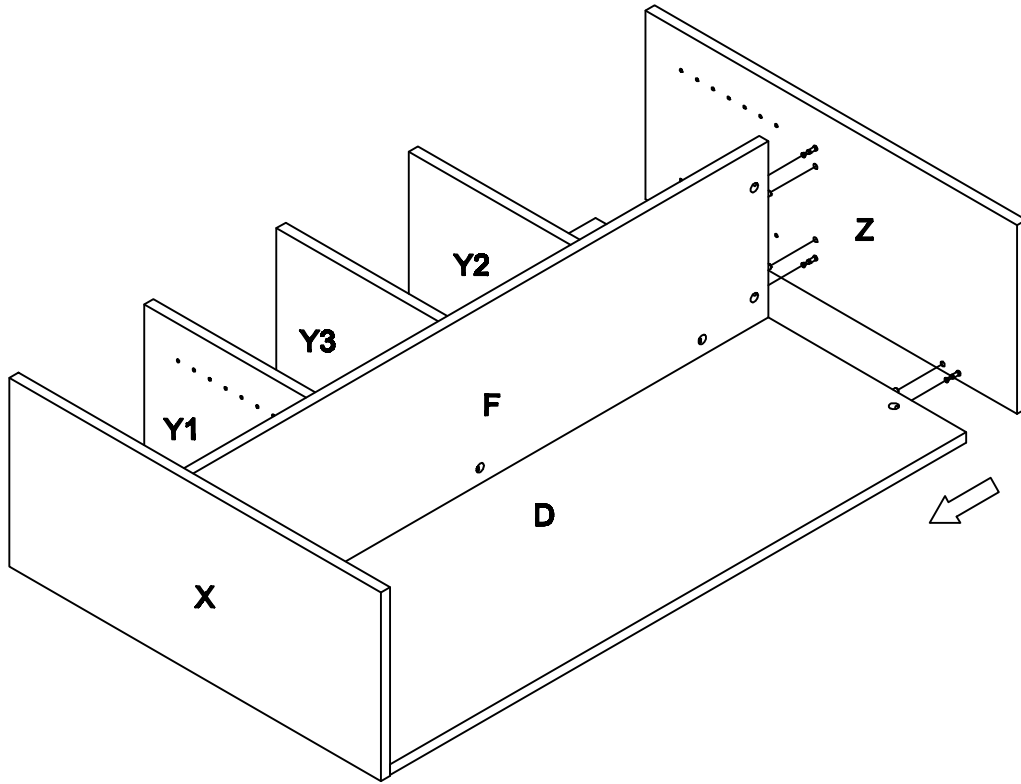
2



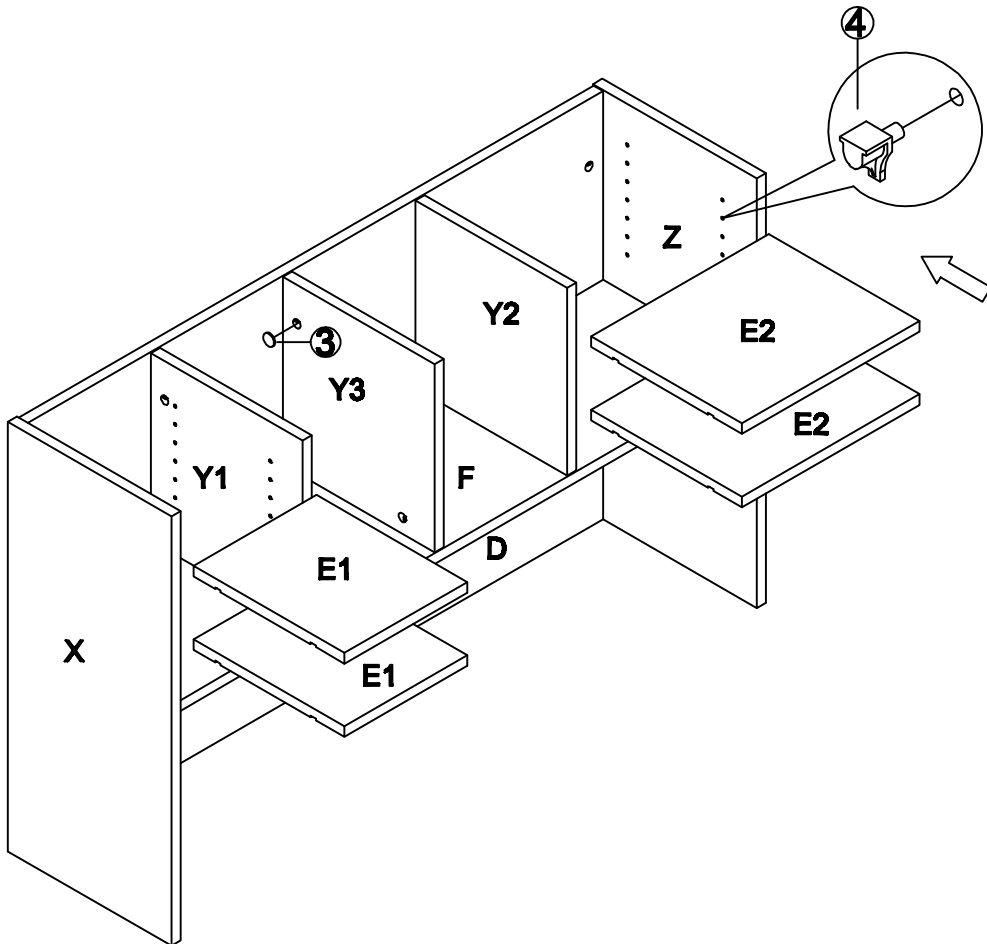
3



4

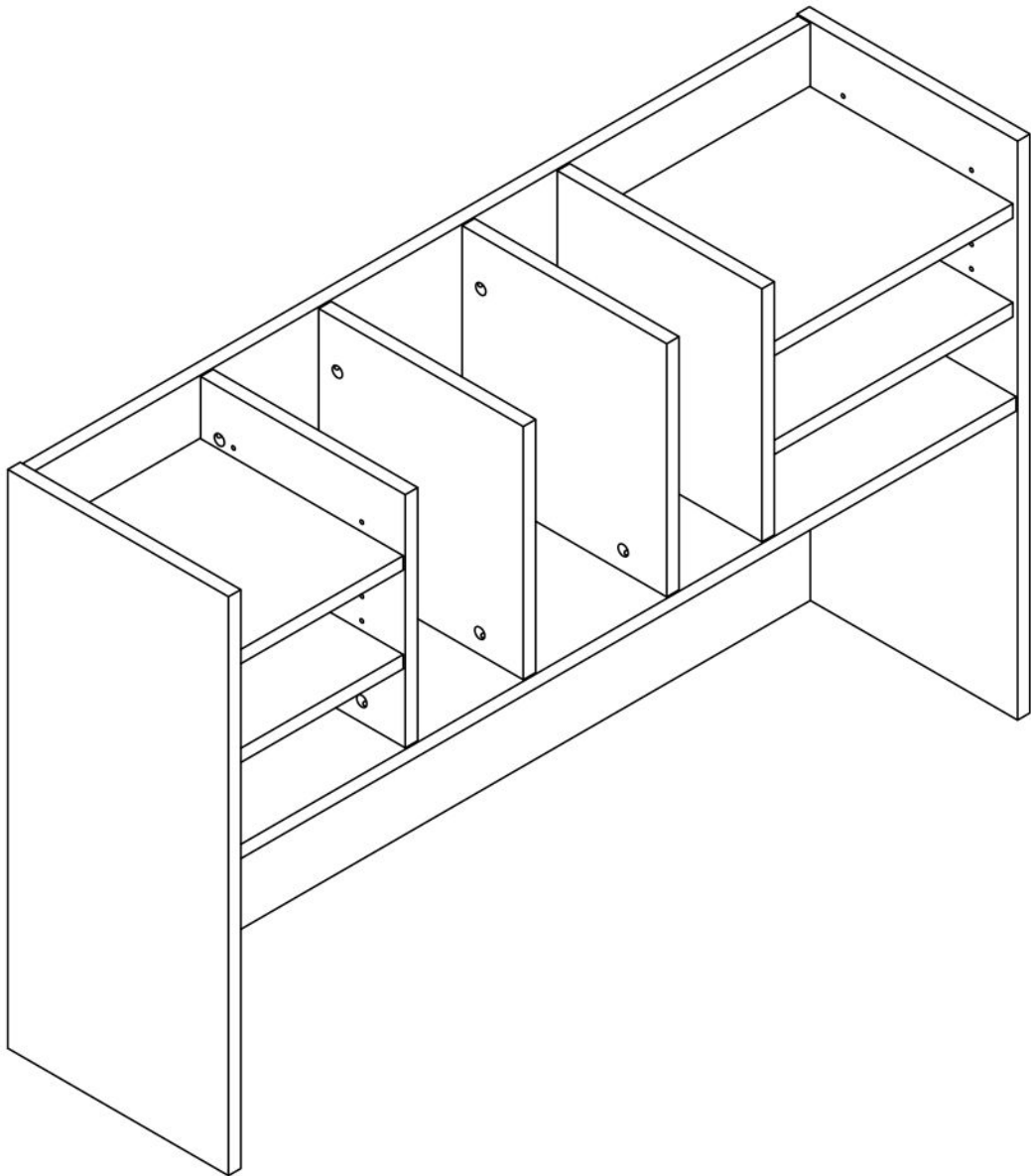


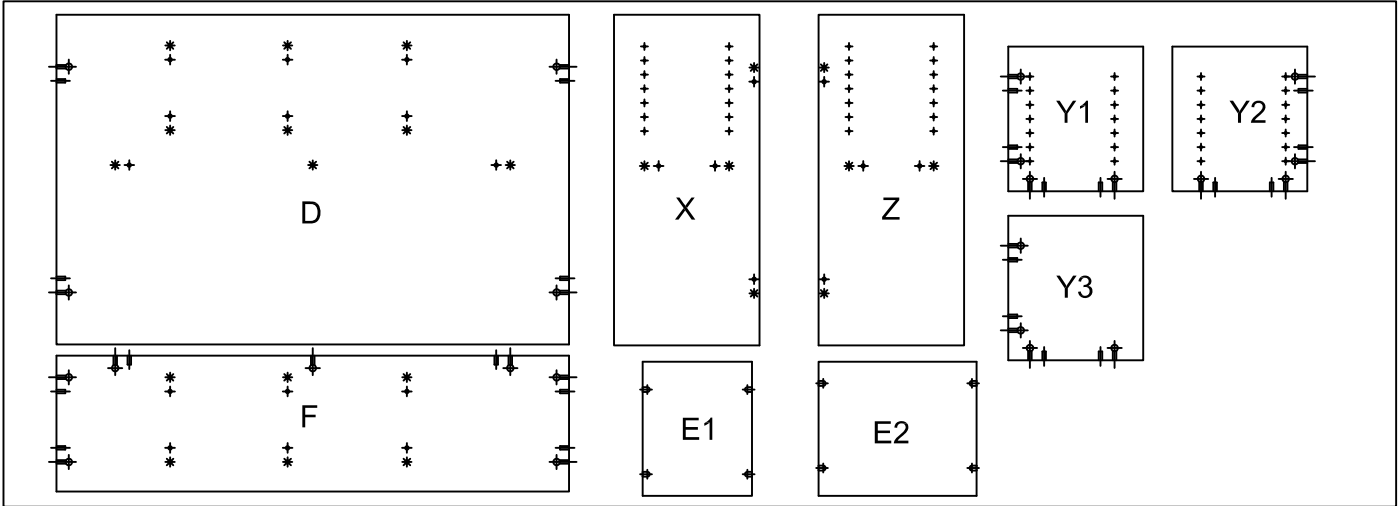
5







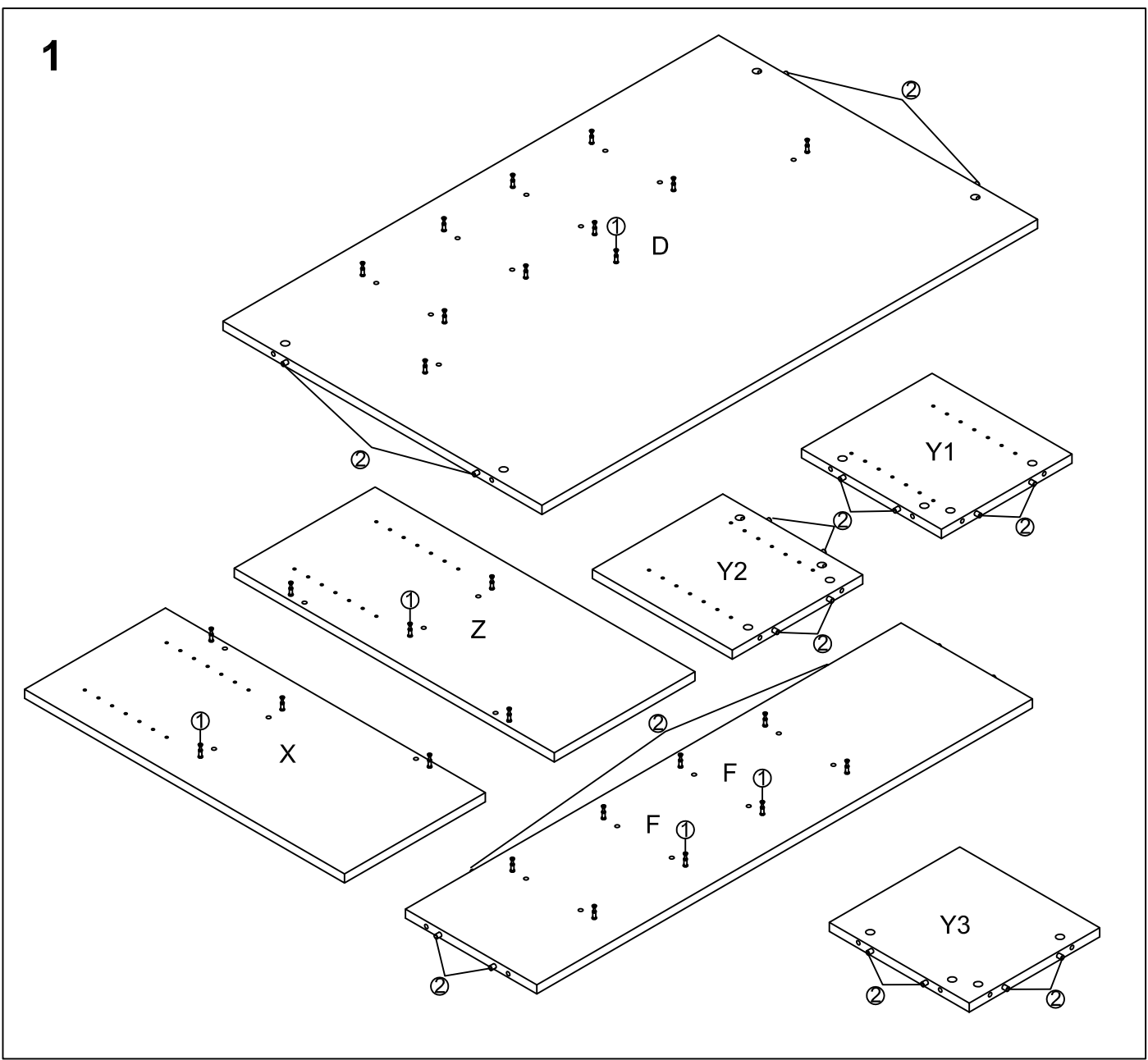
READY2GO

**ASSEMBLY INSTRUCTIONS
R20-DC15**

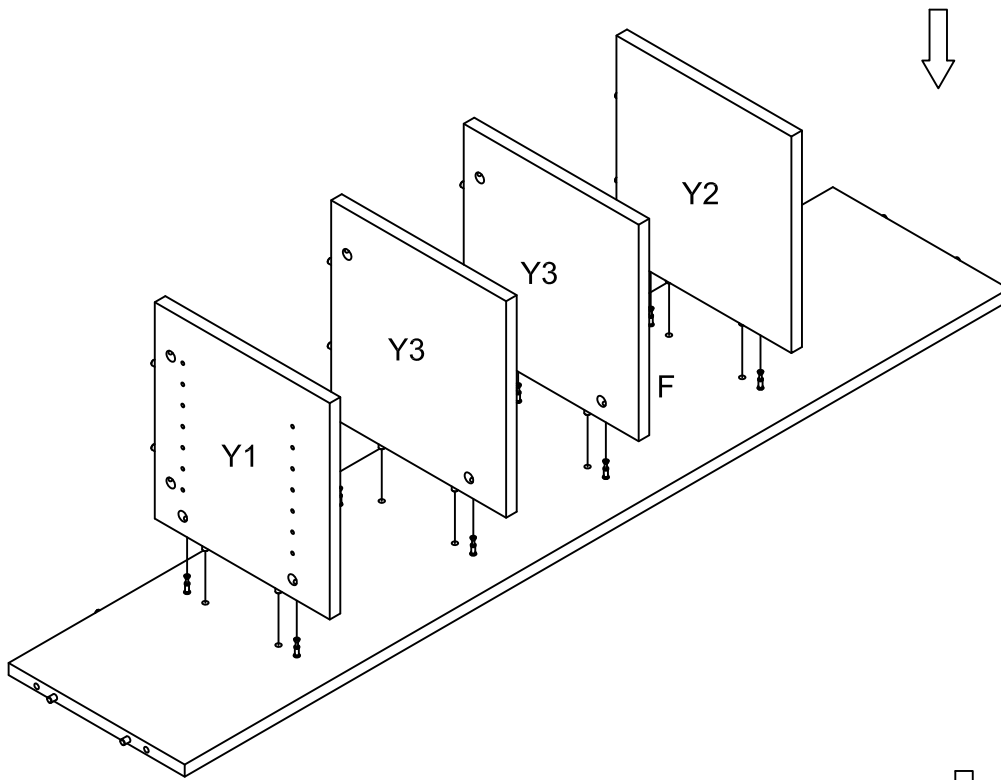




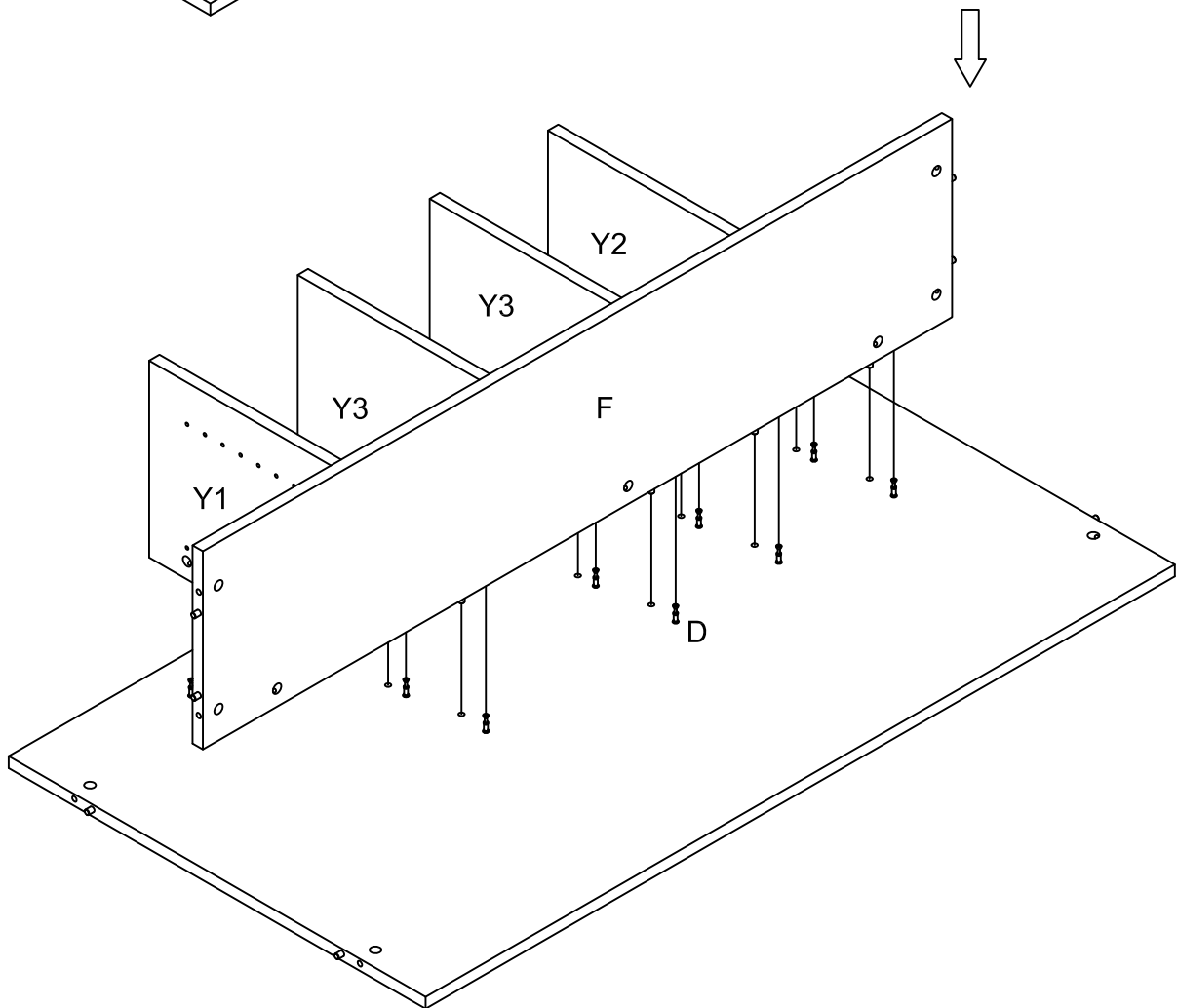
<p>pin 6×35</p>  <p>①</p> <p>28PCS</p>	<p>Dowel 8×30</p>  <p>②</p> <p>28PCS</p>	<p>Cam Cover</p>  <p>③</p> <p>28PCS</p>	<p>Bolt Minifix</p>  <p>④</p> <p>16PCS</p>
---	---	--	---



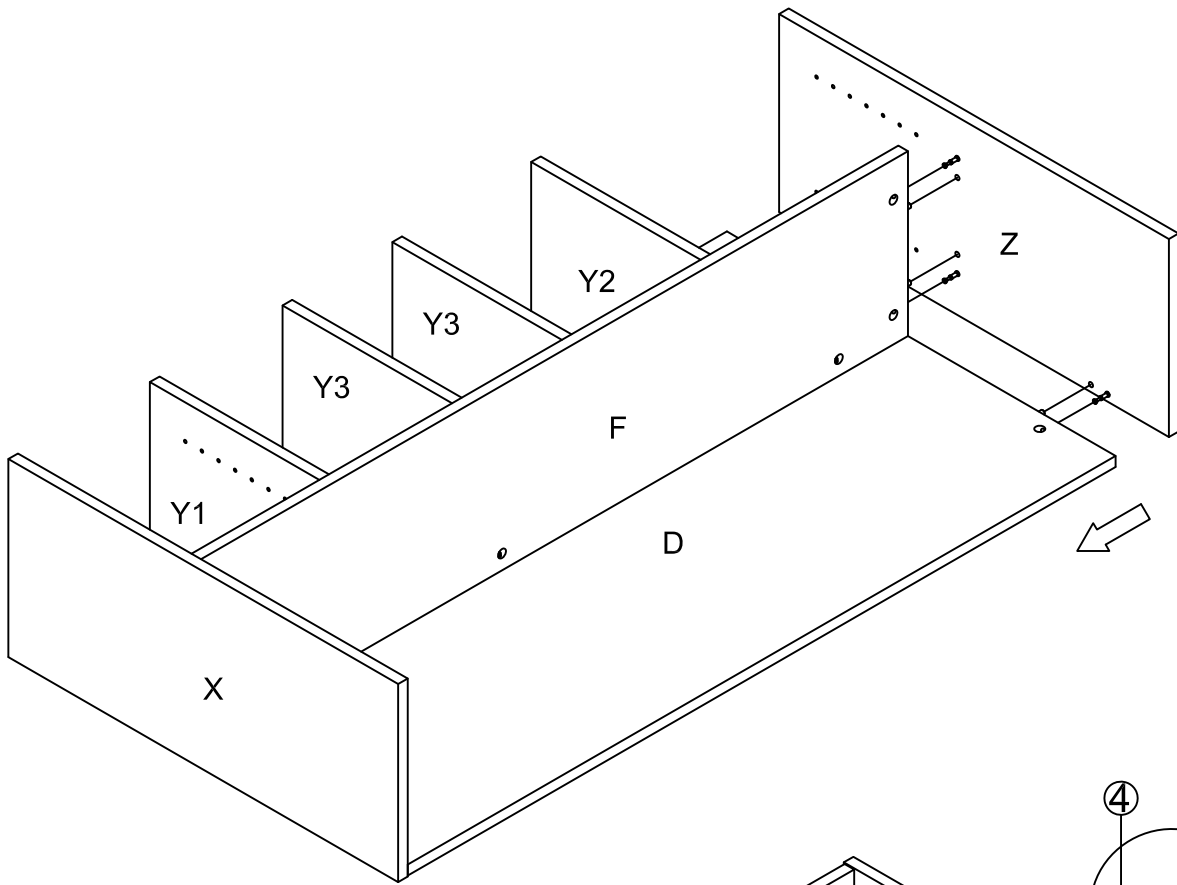
2



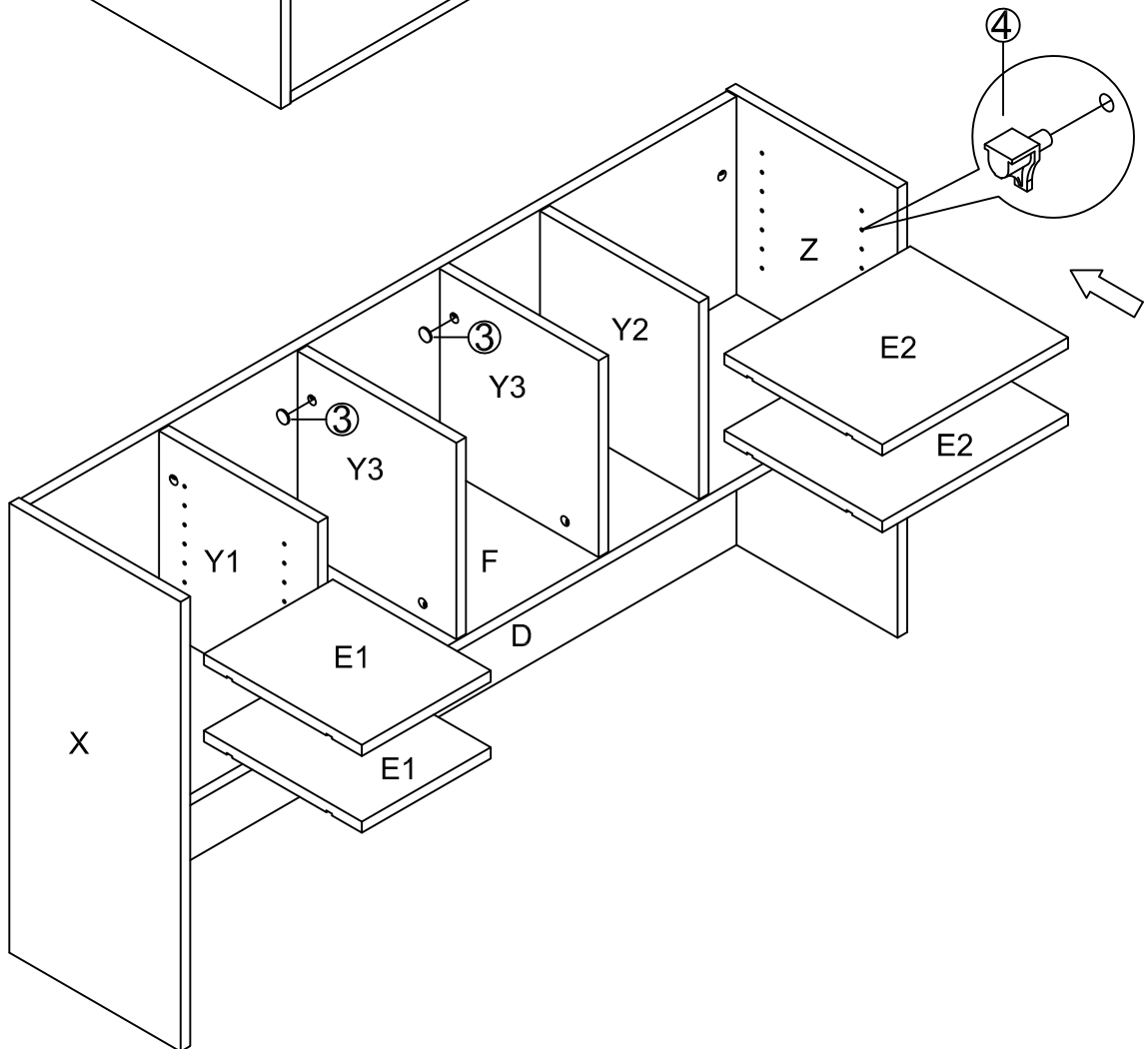
3



4

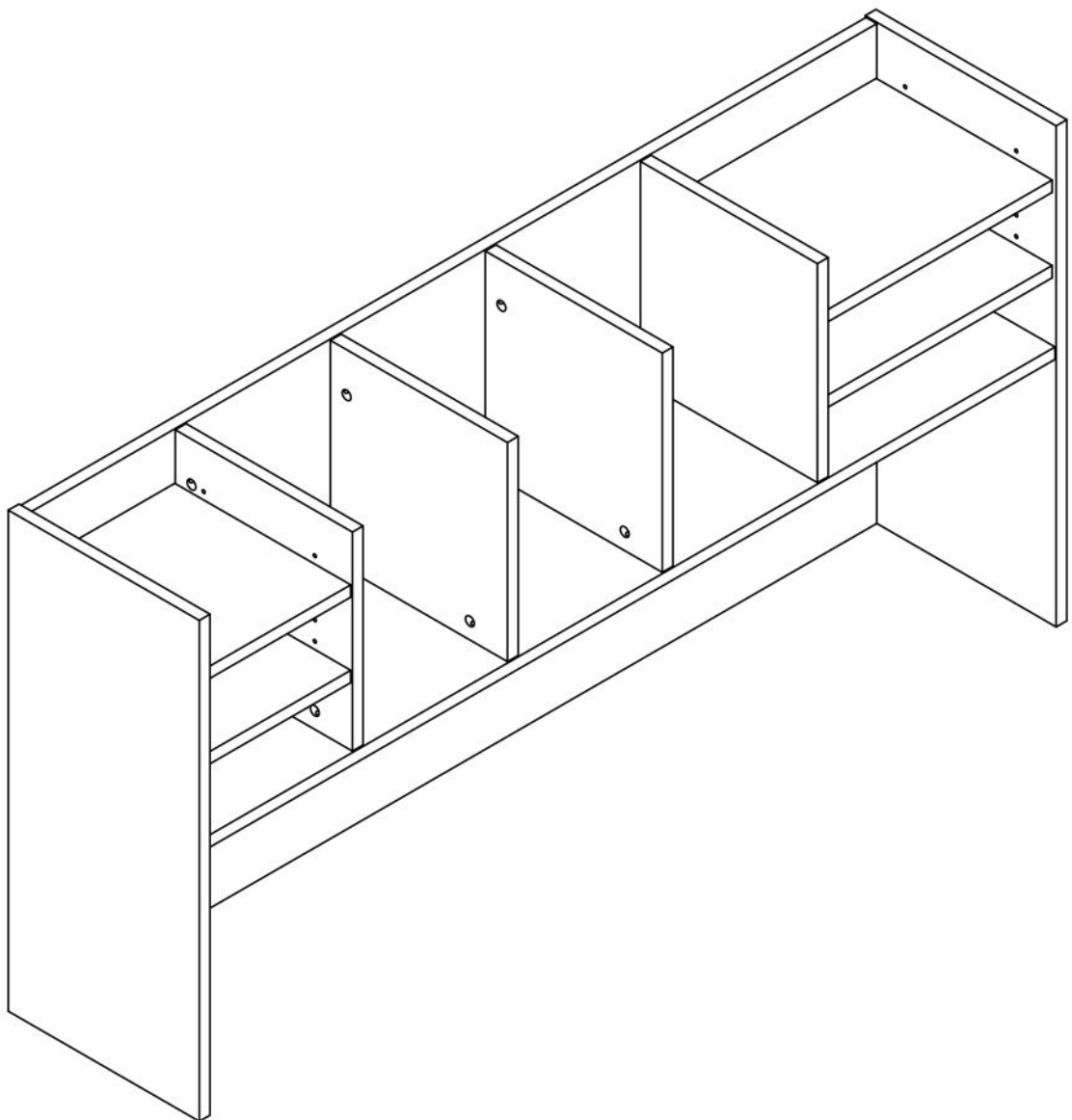


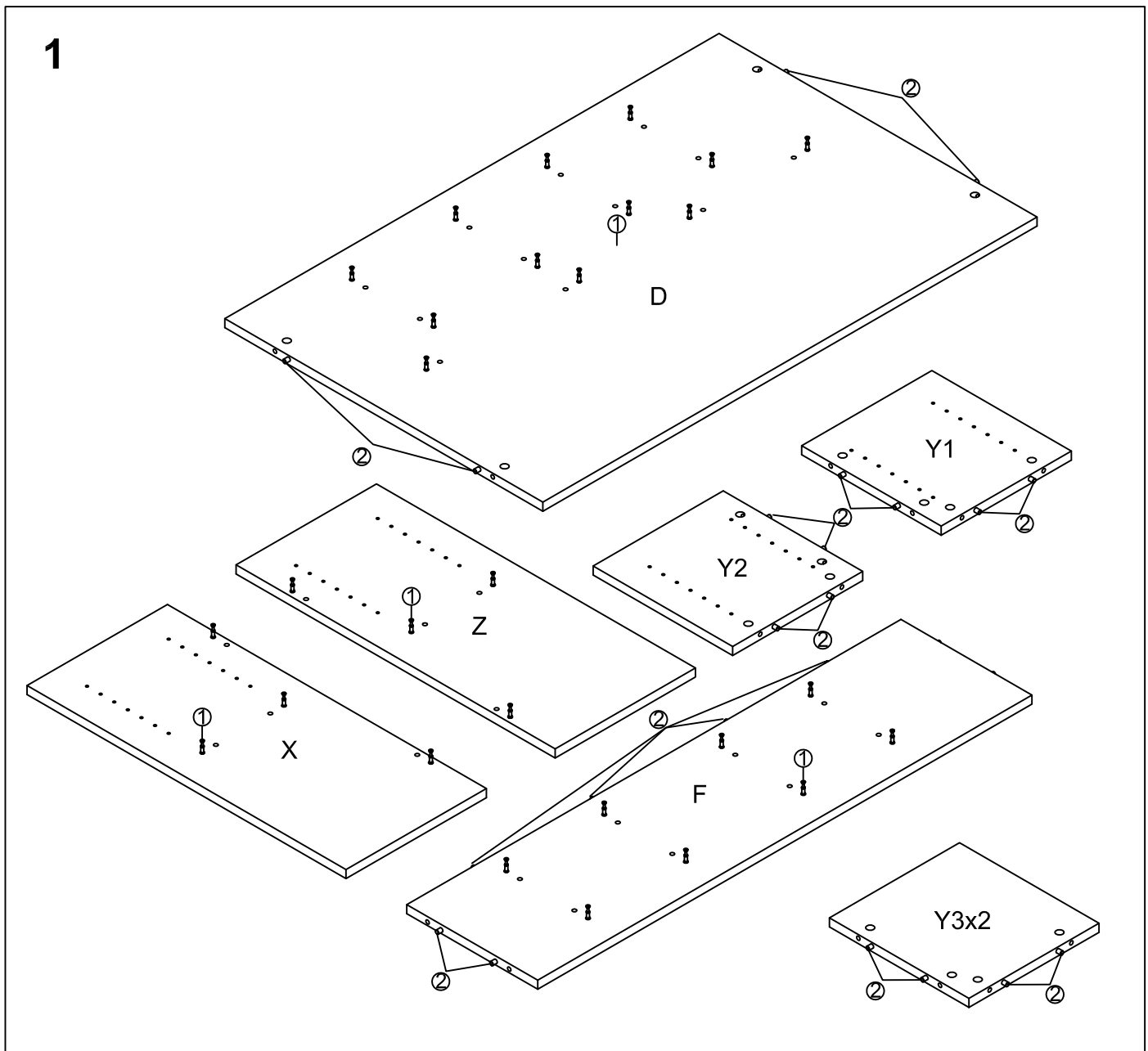
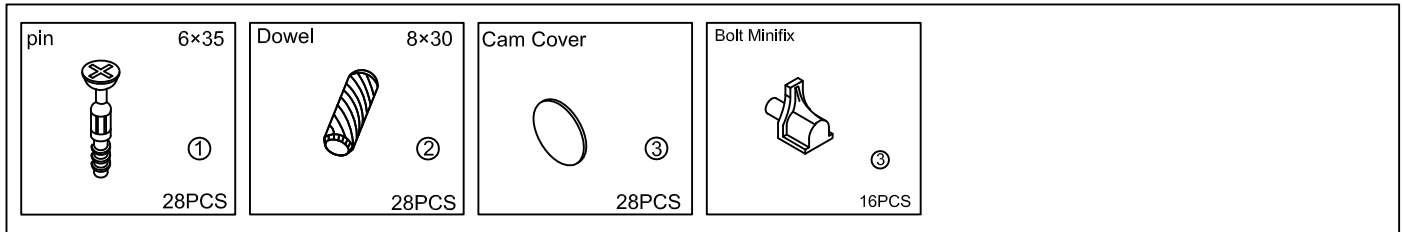
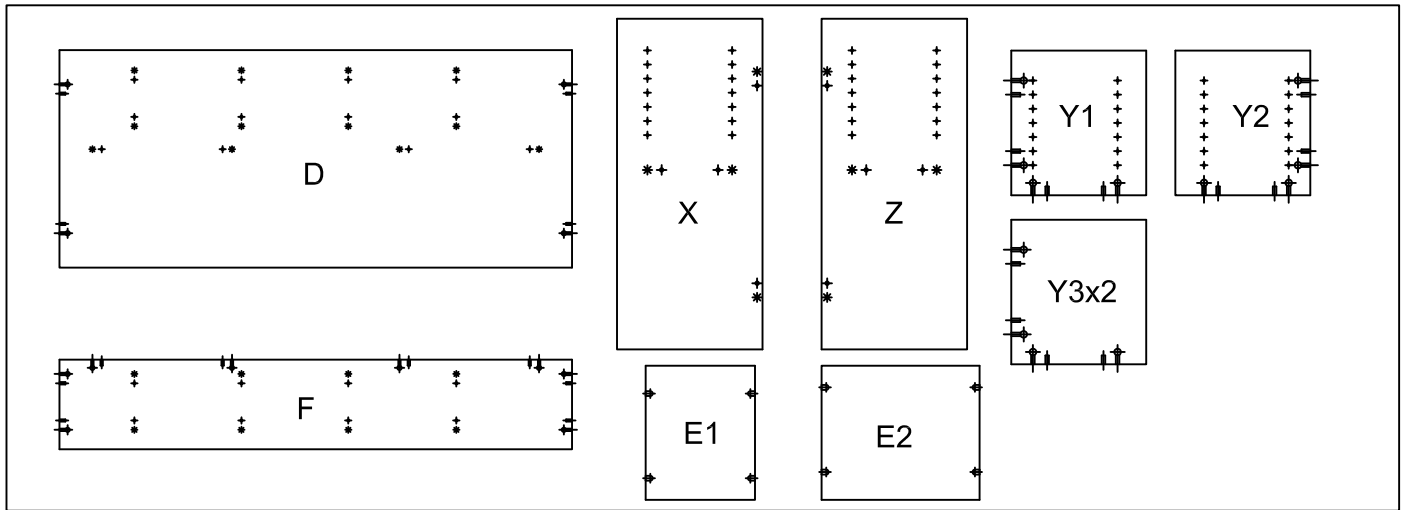
5



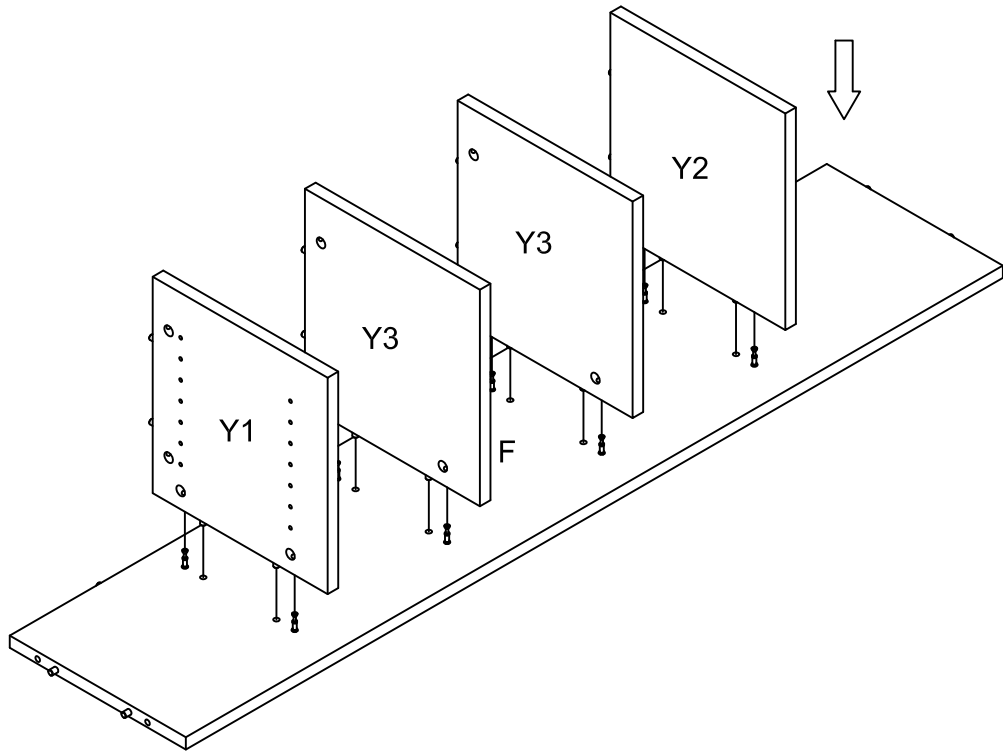
READY2GO

**ASSEMBLY INSTRUCTIONS
R20-DC18**

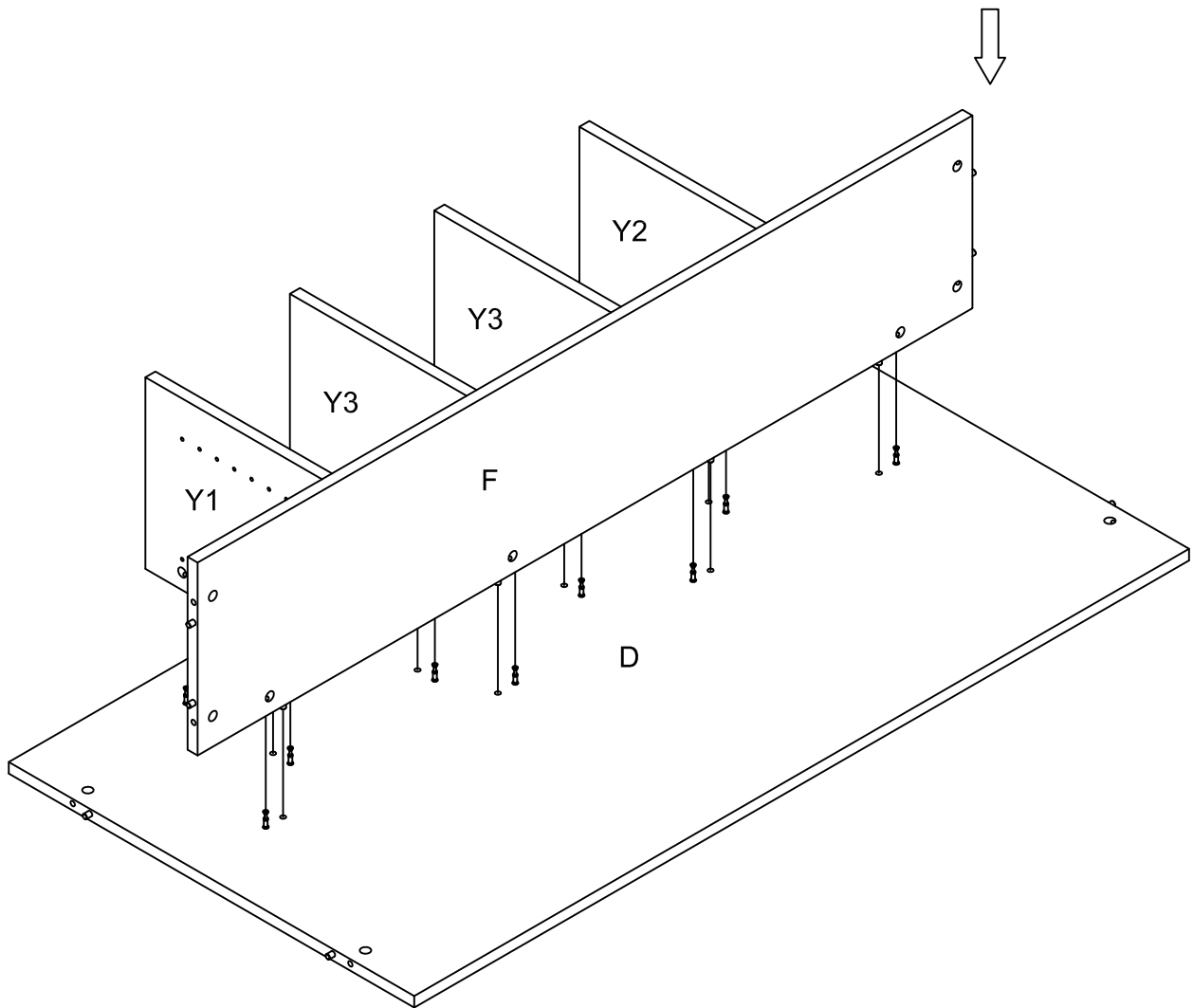




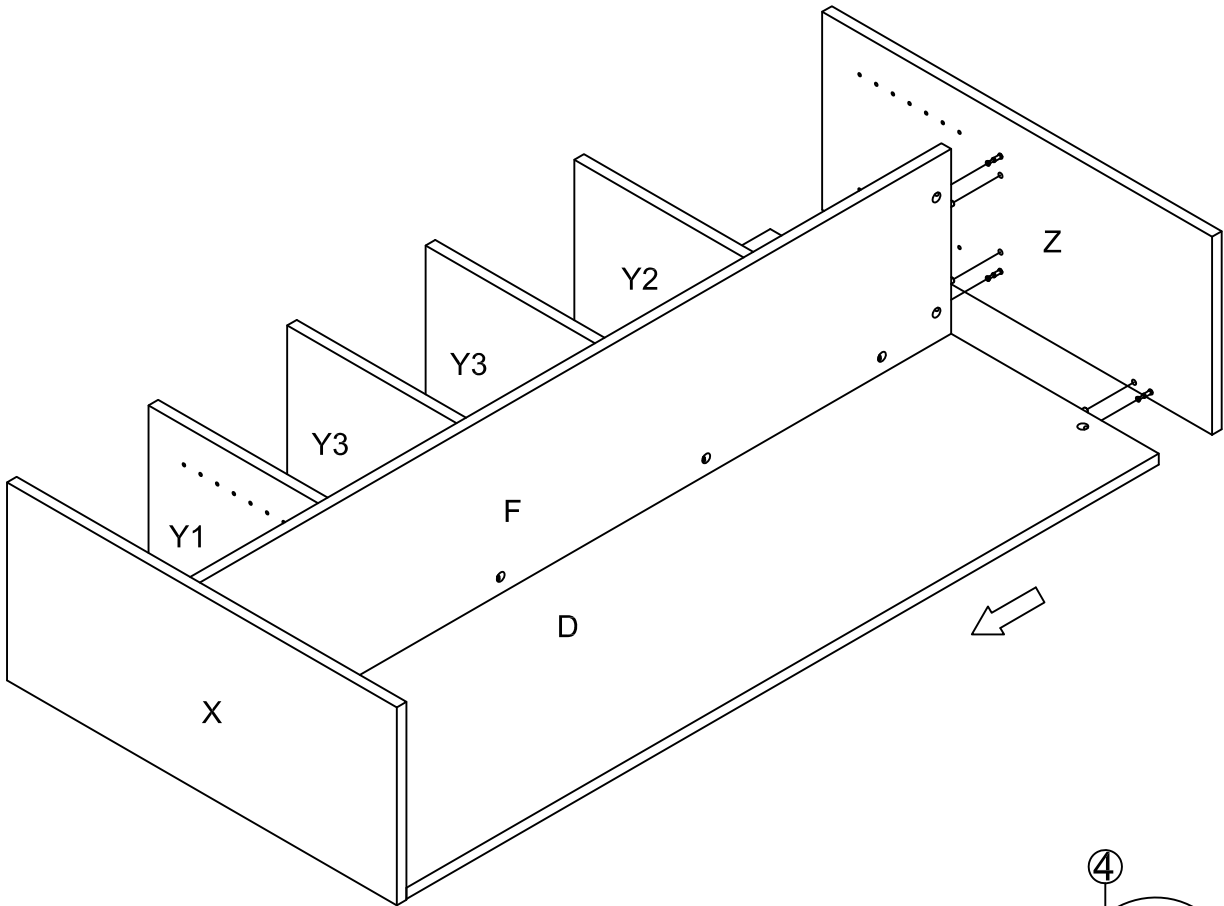
2



3



4



5

