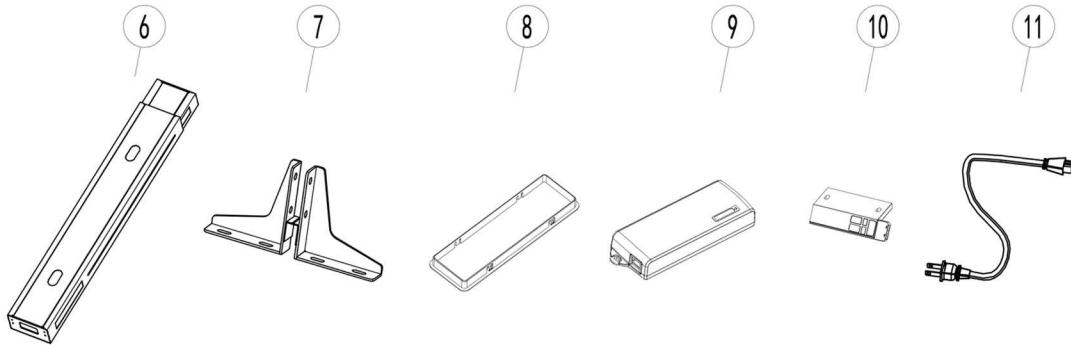
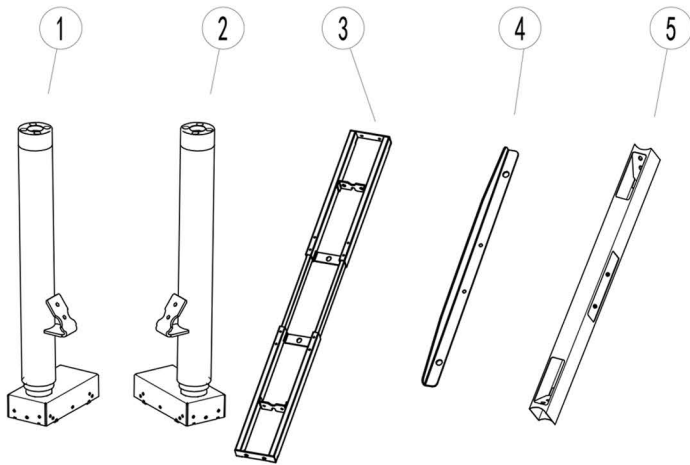


Adjustable Height B2B

EDR-B2B

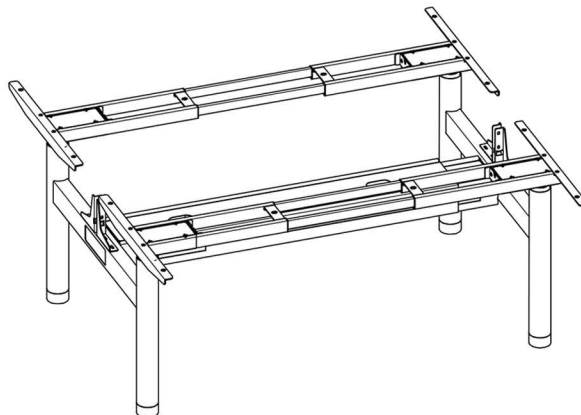
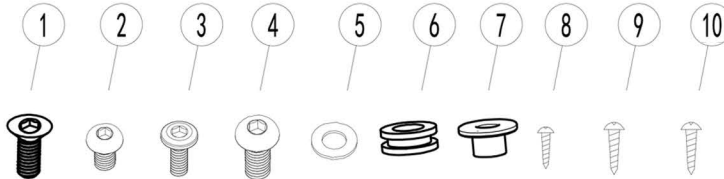
Parts List

NO.	Name	Qty
1	Left leg	2
2	Right leg	2
3	Support beam	2
4	Bracket	4
5	Connection beam	2
6	Cable tray	1
7	Screen clip	2
8	Plastic Lid	2
9	Control Box	2
10	Control Switch	2
11	Power cord	2



Screw bag

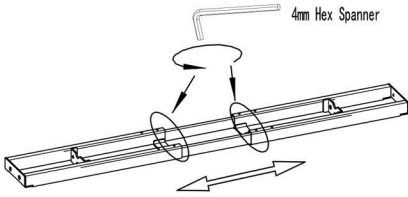
NO.	Name	Qty
1	M6*12 screw	24
2	M6*10 screw	16
3	M6*16 screw	16
4	M8*16 screw	8
5	Gasket8	8
6	Rubber Cushion	12
7	Plastic Pad	12
8	ST3.5*19 Screw	4
9	ST4.8*19 Screw	4
10	ST4.8*25 Screw	12
11	4mm hex spanner	2
12	5mm hex spanner	2



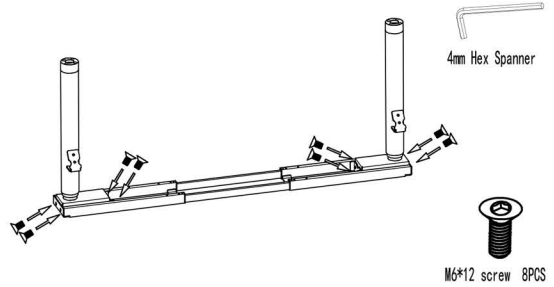
Adjustable Height B2B

EDR-B2B

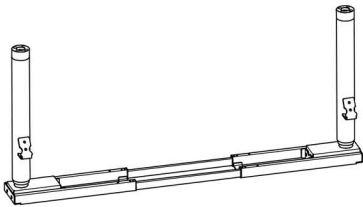
1 Loosen the 4 screws of beam using 4MM hex spanner, adjust the beam to proper position to fit the desktop, and then lock the beam using 8 of M6*10 screws.



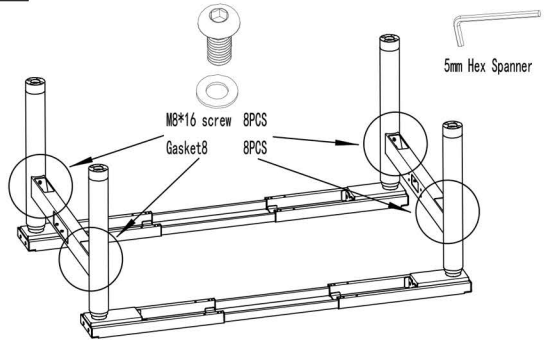
2 Attach legs to the beam using 8 of M6*12 screws.



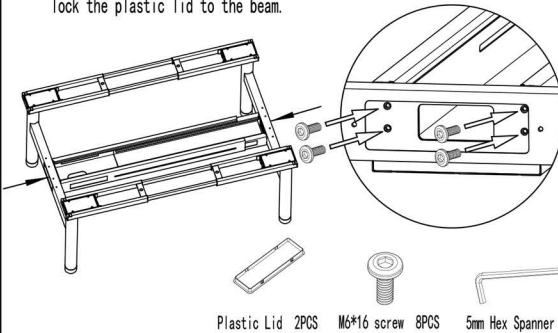
3 Assembly another part by the same step.



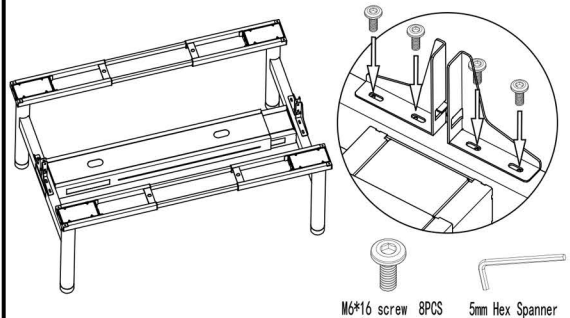
4 Attach connection beam to legs using 8 of M8*16 screws and gasket.



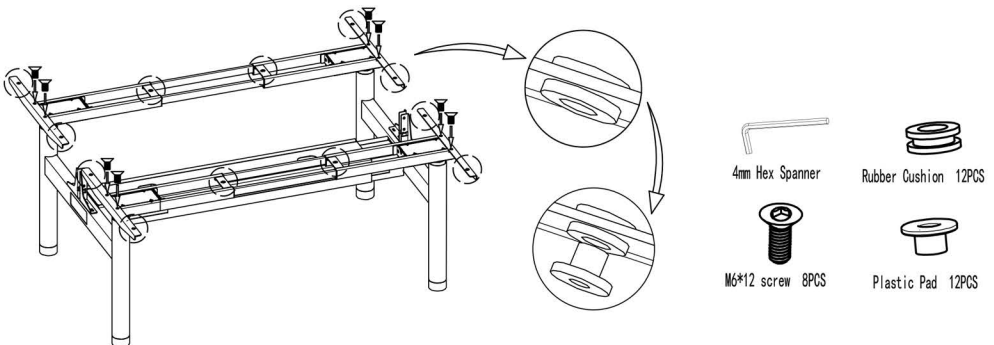
5 Attach cable tray to connection beam using 8 of M6*16 screws, and the lock the plastic lid to the beam.



6 Attach screen clip to connection beam using 8 of M6*16 screws.



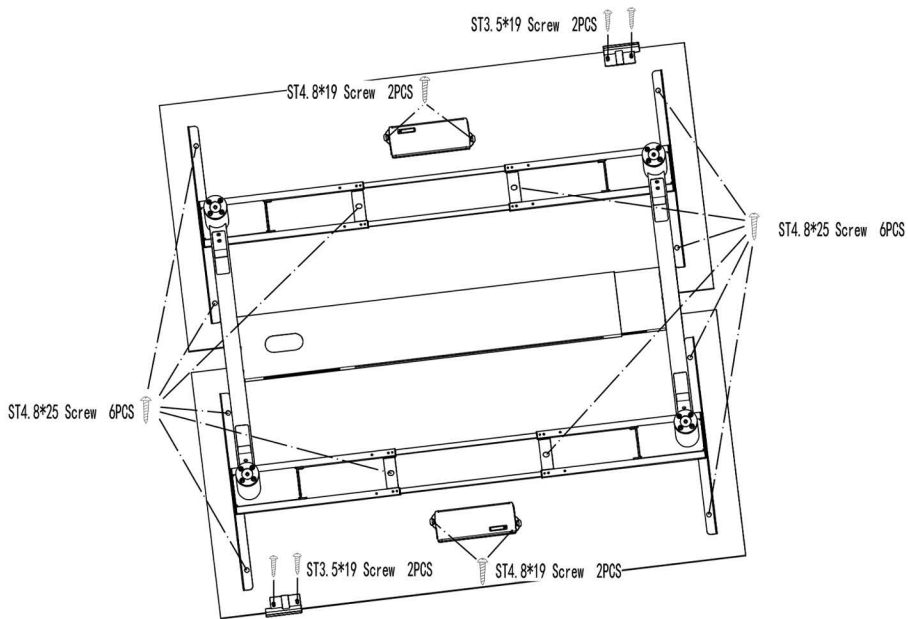
7 Attach brackets to beam using 8 of M6*12 screws, and then fit the rubber cushion and plastic pad to the brackets and beams.



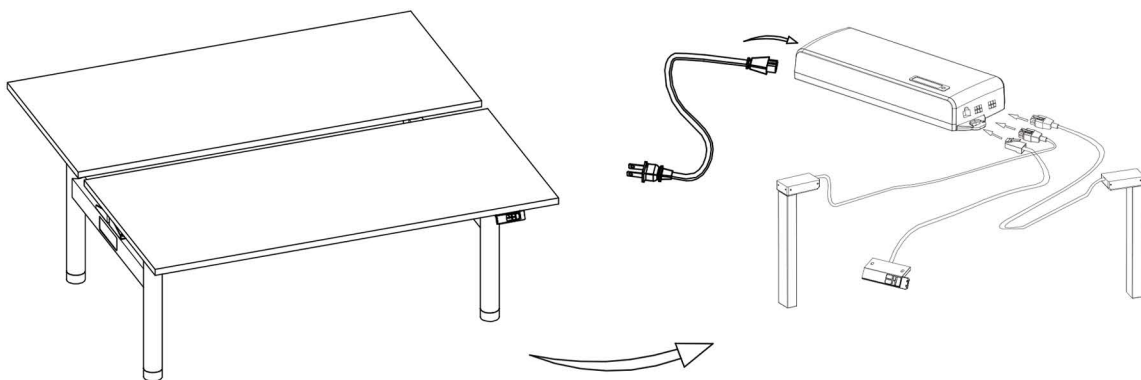
Adjustable Height B2B

EDR-B2B

- 8 Fix table top to frames with 12 of ST4.8*25 screws, then fix control boxes to below table top with 4 of ST4.8*19 screws, at last fix handsets to below table top with 4 of ST3.5*19 screws.

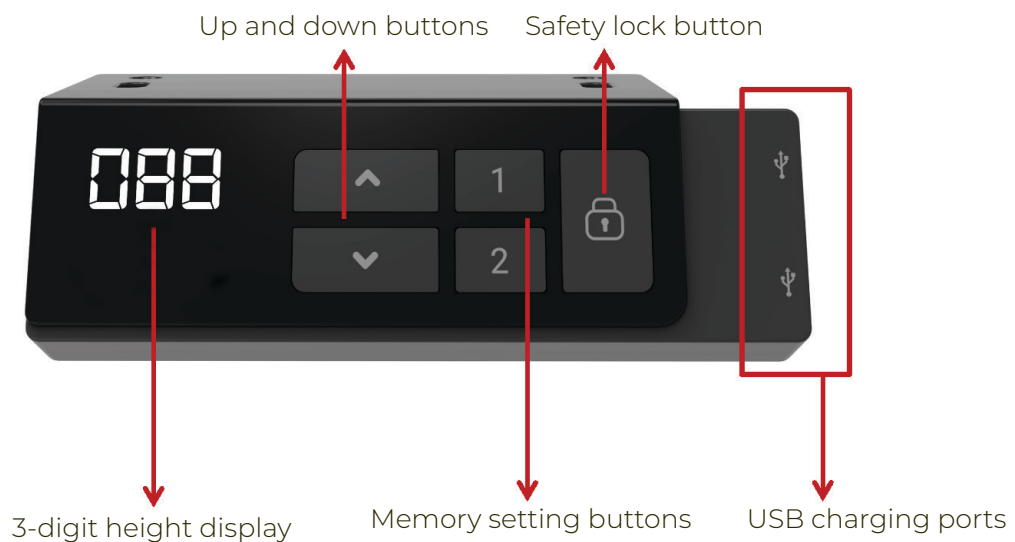


- 9 Connect the control box to the handset and to the motor.



Height Adjustable

User Manual

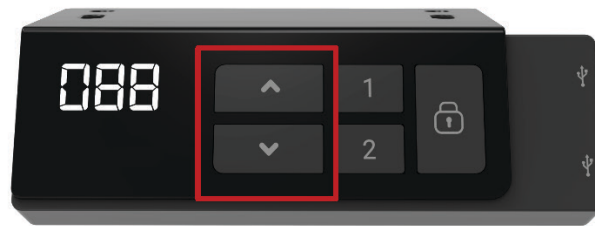


1. System Initialization / Reset

When the installation of the desk frame is complete, the user must conduct a reset.

Simultaneously press **▲** and **▼** for 3 seconds. Continue pressing the buttons until both frame columns are in lowest position. When finished with the reset, the control box makes a beep sound and the buttons can be released.

When finished with the reset, the display will show starting height.



2. Adjusting the Height

Drive the desk to the desired height by pressing and holding **▲** or **▼** button. The 3-digit display will show the desk height.

3. Setting the Memorized Position

1. Adjust the desk to the desired height
2. Press the preferred memory button (1 or 2), with either **▲** or **▼** for 2 seconds. Once the display shows P1 or P2, the position is memorized.
3. Press and hold button 1 or 2 to move the desk to memorized position.



4. Setting the Height Limit




Setting the upper height limit:

1. Adjust the desk to the preferred upper height limit.
2. Press  and  buttons together less than 3 seconds, holding  and release  button.
3. Re press  for more than 3 times in a slow pace.
4. A beeping sound will notify you that the process has completed.

Disable the upper height limit:

1. Move the desk to the upper height limit that is being set.
2. Repeat the instruction #2-4 above to disable the upper limit setting.

Setting the lower height limit:

1. Adjust the desk to the preferred upper height limit.
2. Press  and  buttons together less than 3 seconds, holding  and release  button.
3. Re press  for more than 3 times in a slow pace.
4. A beeping sound will notify you that the process has completed.

Disable the lower height limit:

1. Move the desk to the upper height limit that is being set.
2. Repeat the instruction #2-4 above to disable the upper limit setting.



5. Lock and Unlock

Lock: Press the lock button for one second or do not touch any buttons for 20 seconds, then the below image will be shown on the display to indicate that the lock was completed successfully.

Unlock: Hold the lock " " button for 3 seconds to unlock the hand control.



6. Switching Metric and Imperial Unit

Press memory button **1**, **2** and **Lock** button for 5 seconds. The digital display will show **C-I**. If there is no further instruction operated within 5 seconds, the system will go to the normal operation mode.



How to choose a metric unit

Press the button **1**, the digital display will show "**C**" to stand for centimeter.

How to choose an imperial unit

Press the button **2**, the digital display will show "**I**" to stand for inch.

Error Codes

The digital display shows the error codes below to suggest the issues that users may encounter during the operation.

Error Code	Descriptions
000	<i>Resetting</i>
E00	<i>Not reset completely</i>
E01	<i>Overuse protection</i>
E02	<i>Unbalance protection</i>
E03	<i>Anti-collision</i>
E04	<i>T- touch Protection</i>
E11	<i>M1 Motor over current protection</i>
E12	<i>M2 Motor over current protection</i>
E13	<i>M3 Motor over current protection</i>
E21	<i>No Hall sensor from M1</i>
E22	<i>No Hall sensor from M2</i>
E23	<i>No Hall sensor from M3</i>
E31	<i>No current from M1</i>
E32	<i>No current from M2</i>
E33	<i>No current from M3</i>