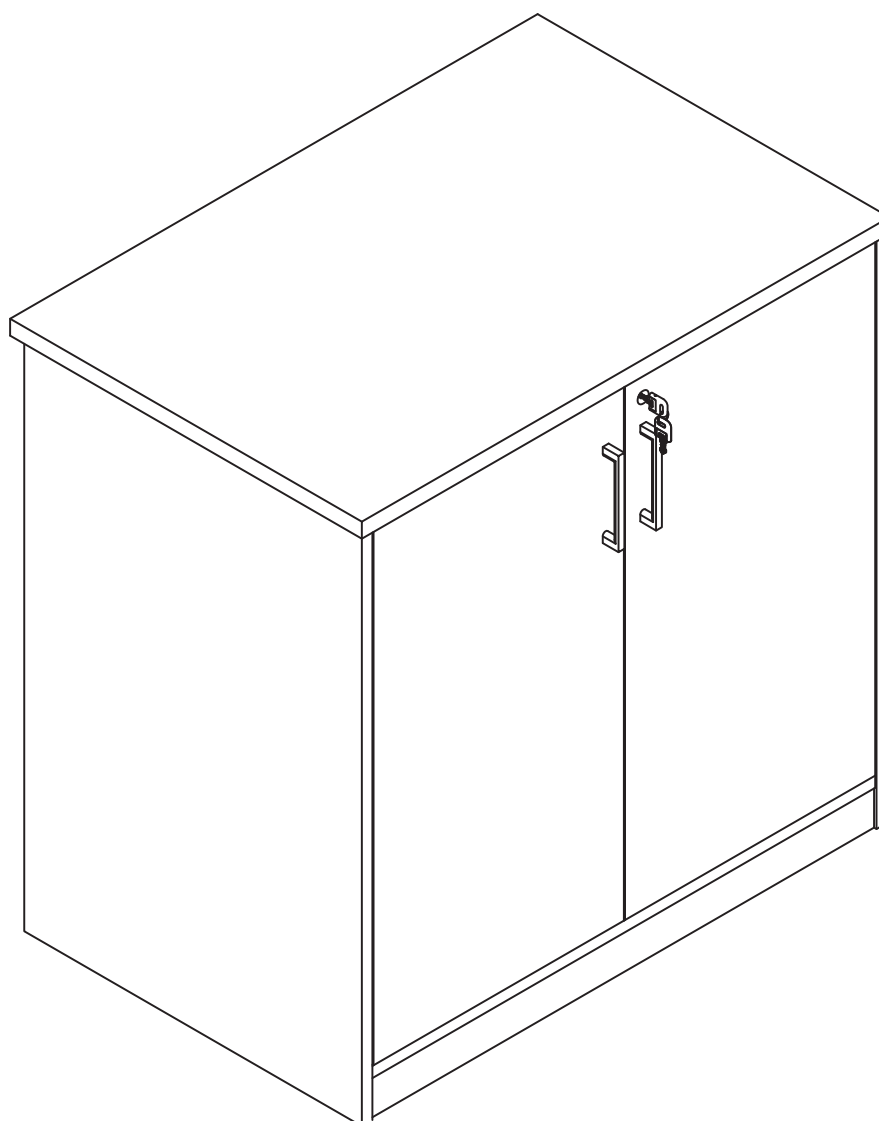
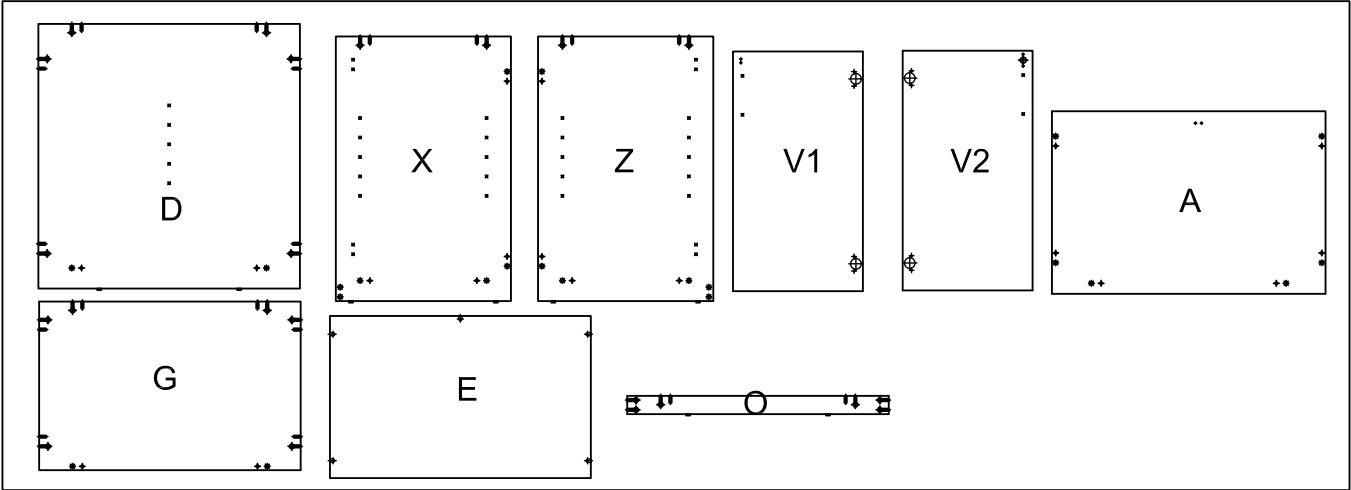



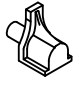


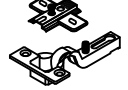






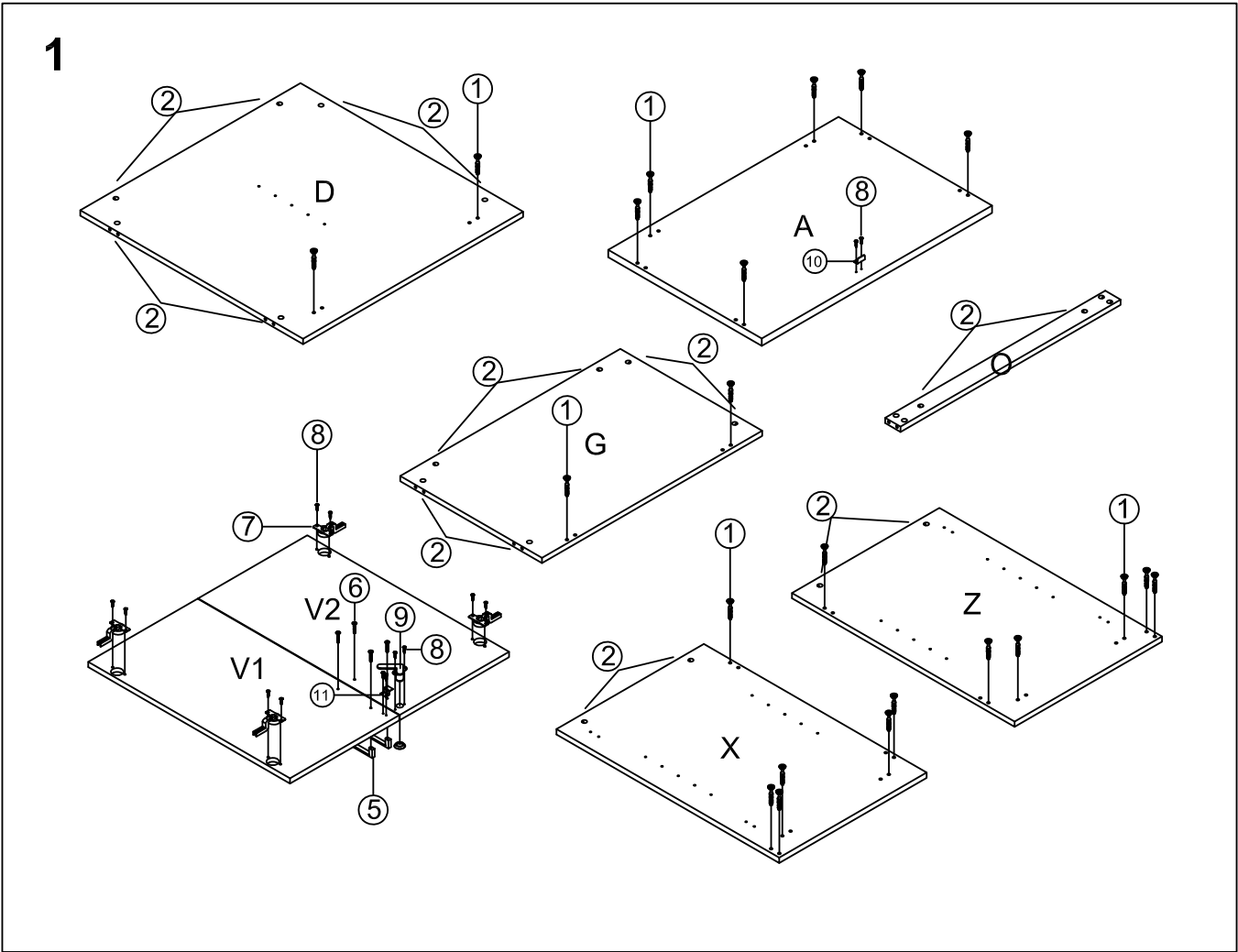
READY **2GO**

**ASSEMBLY INSTRUCTIONS**  
**Hinged Door Cupboard 900W**  
**R20-HINC9**

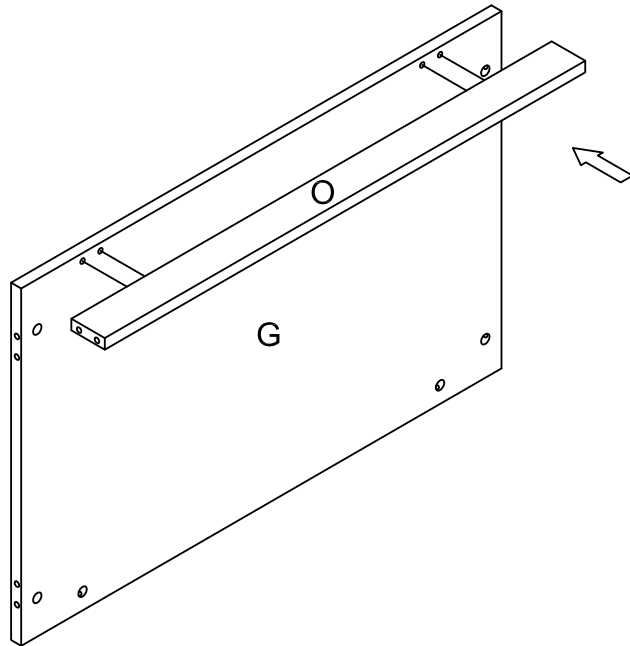




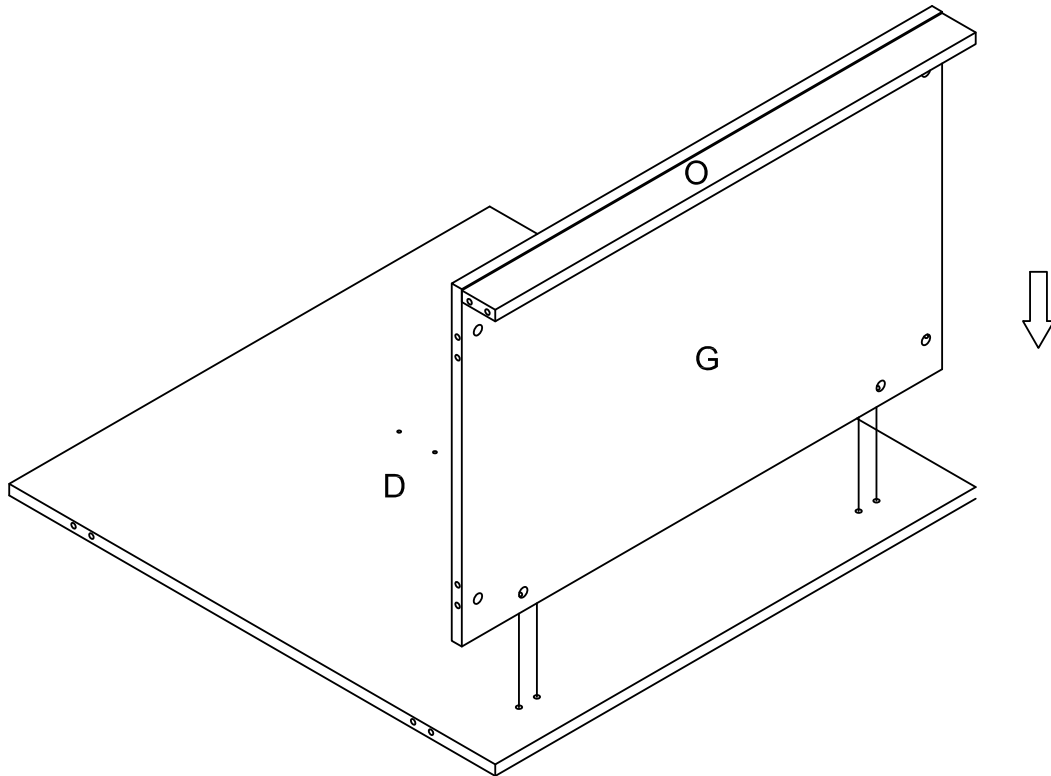
<p>pin 6×35</p>  <p>①</p> <p>22PCS</p>	<p>Dowel 8×30</p>  <p>②</p> <p>18PCS</p>	<p>Cam Cover</p>  <p>③</p> <p>22PCS</p>	<p>Bolt Minifix</p>  <p>④</p> <p>5PCS</p>	<p>Handle</p>  <p>⑤</p> <p>2PCS</p>	<p>Screw 4×22</p>  <p>⑥</p> <p>4PCS</p>
<p>Hinge&amp;Mount Plate</p>  <p>⑦</p> <p>4PCS</p>	<p>Screw 4×16</p>  <p>⑧</p> <p>30PCS</p>	<p>Lock</p>  <p>⑨</p> <p>1 PCS</p>	<p>Lock Catch</p>  <p>⑩</p> <p>1 PCS</p>	<p>Lock Catch</p>  <p>⑪</p> <p>1 PCS</p>	



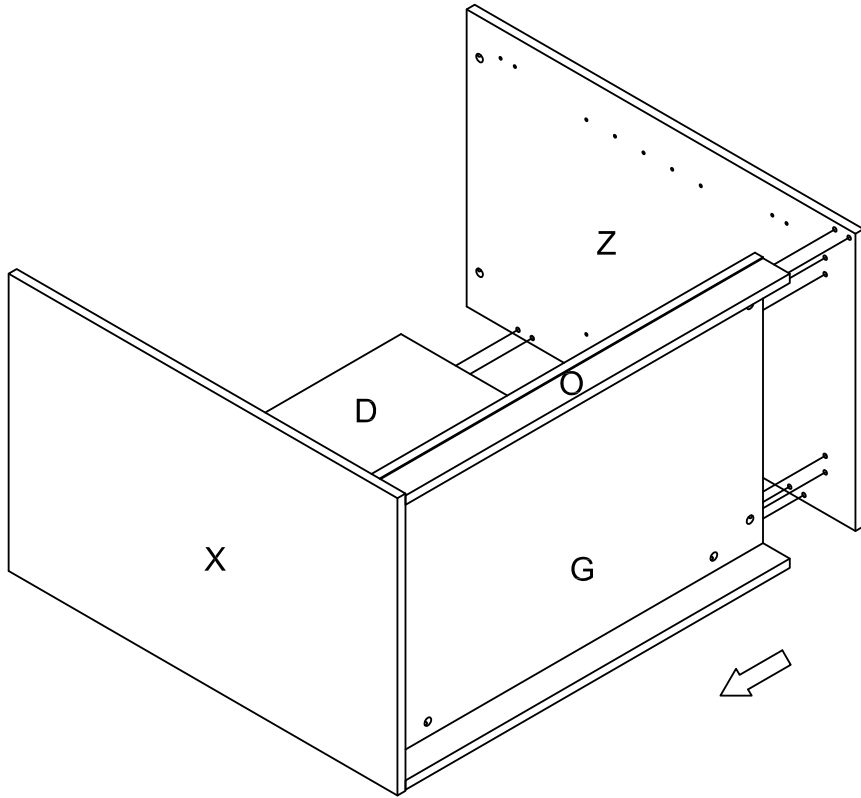
2



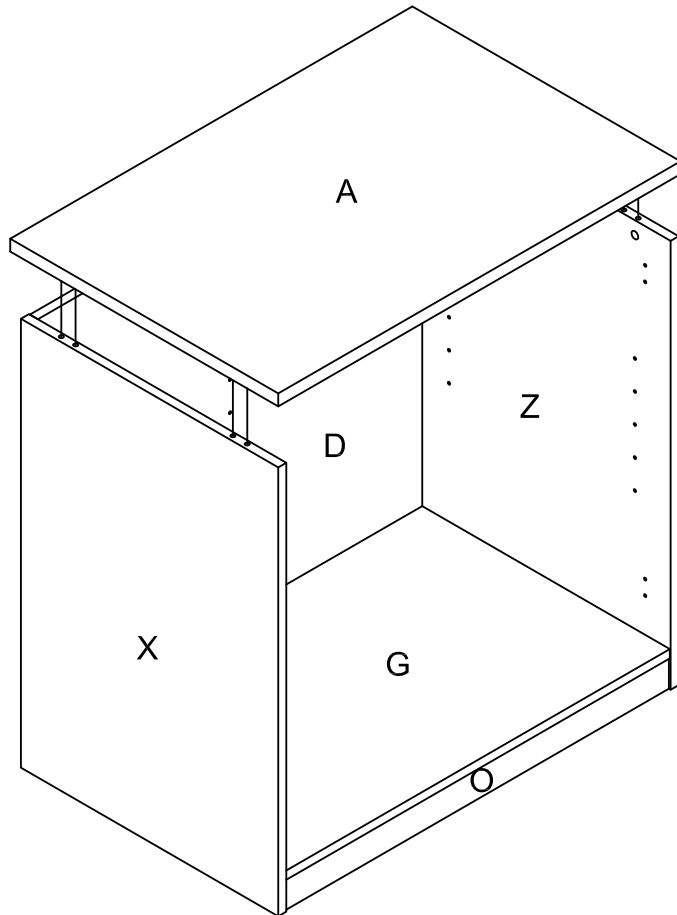
3



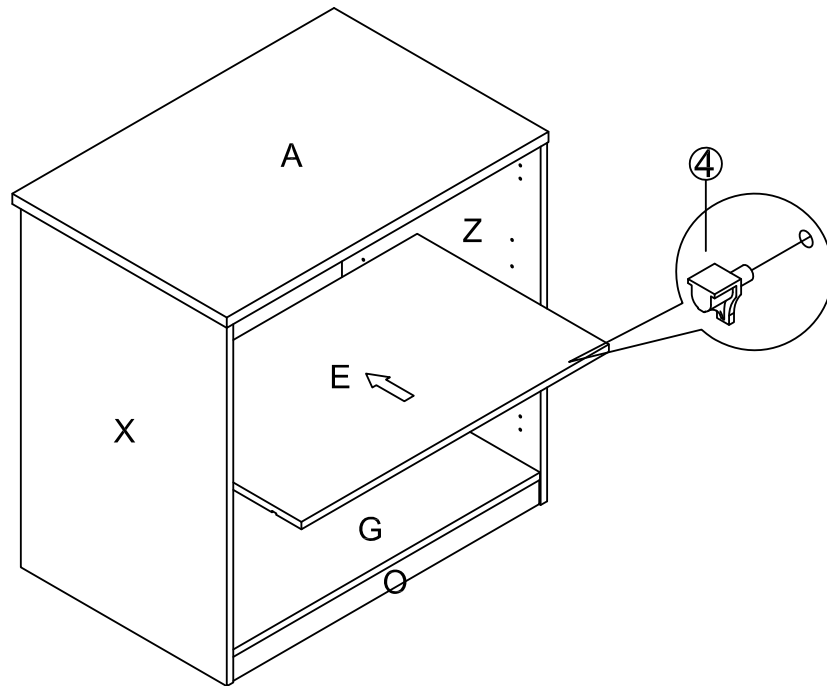
4



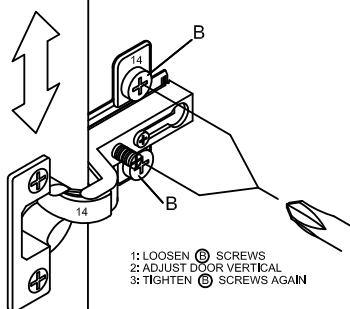
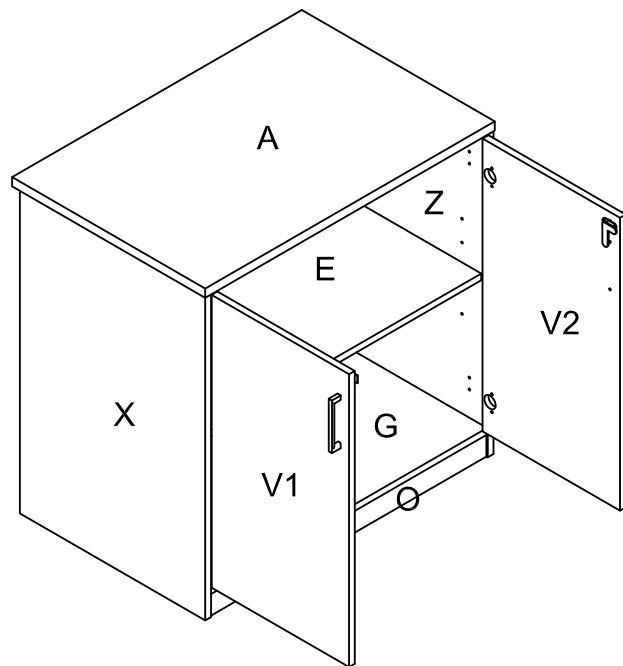
5



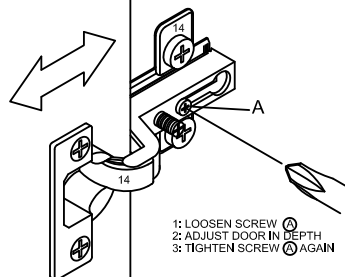
6



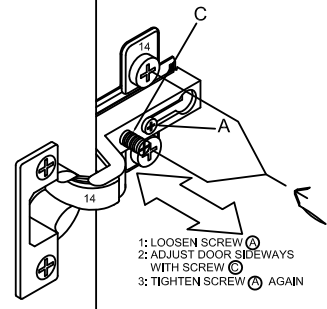
7



1: LOOSEN SCREW B  
2: ADJUST DOOR VERTICAL  
3: TIGHTEN SCREW B AGAIN



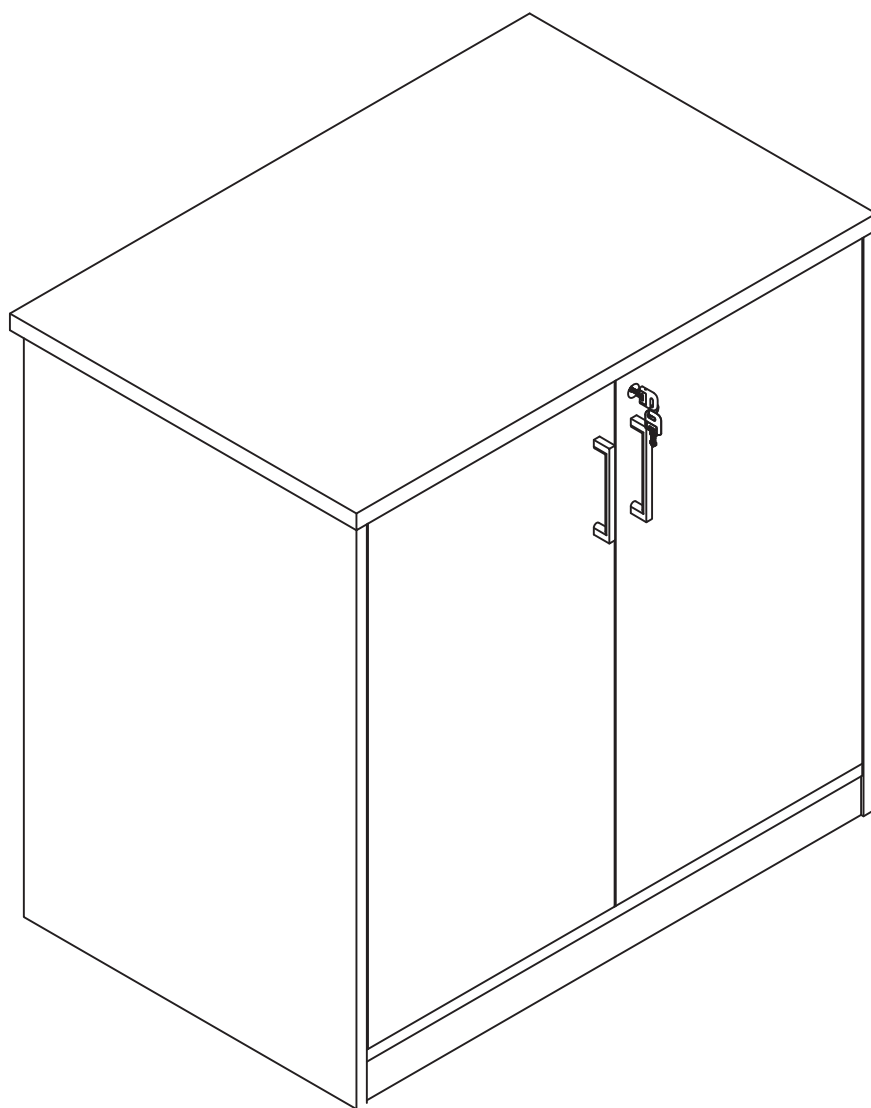
1: LOOSEN SCREW A  
2: ADJUST DOOR IN DEPTH  
3: TIGHTEN SCREW A AGAIN

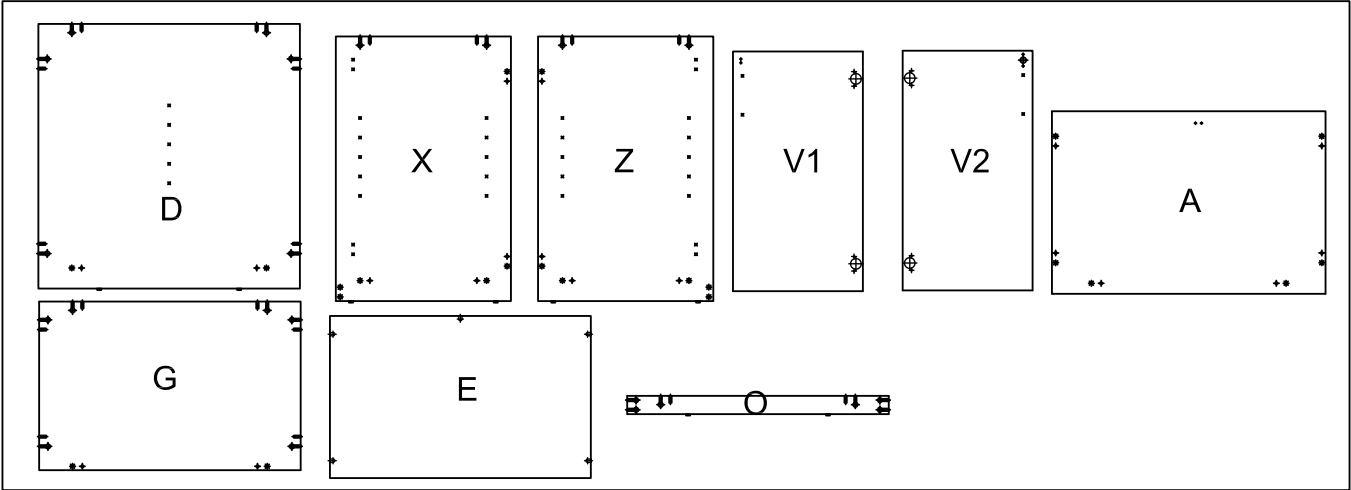


1: LOOSEN SCREW C  
2: ADJUST DOOR SIDWAYS WITH SCREW C  
3: TIGHTEN SCREW C AGAIN

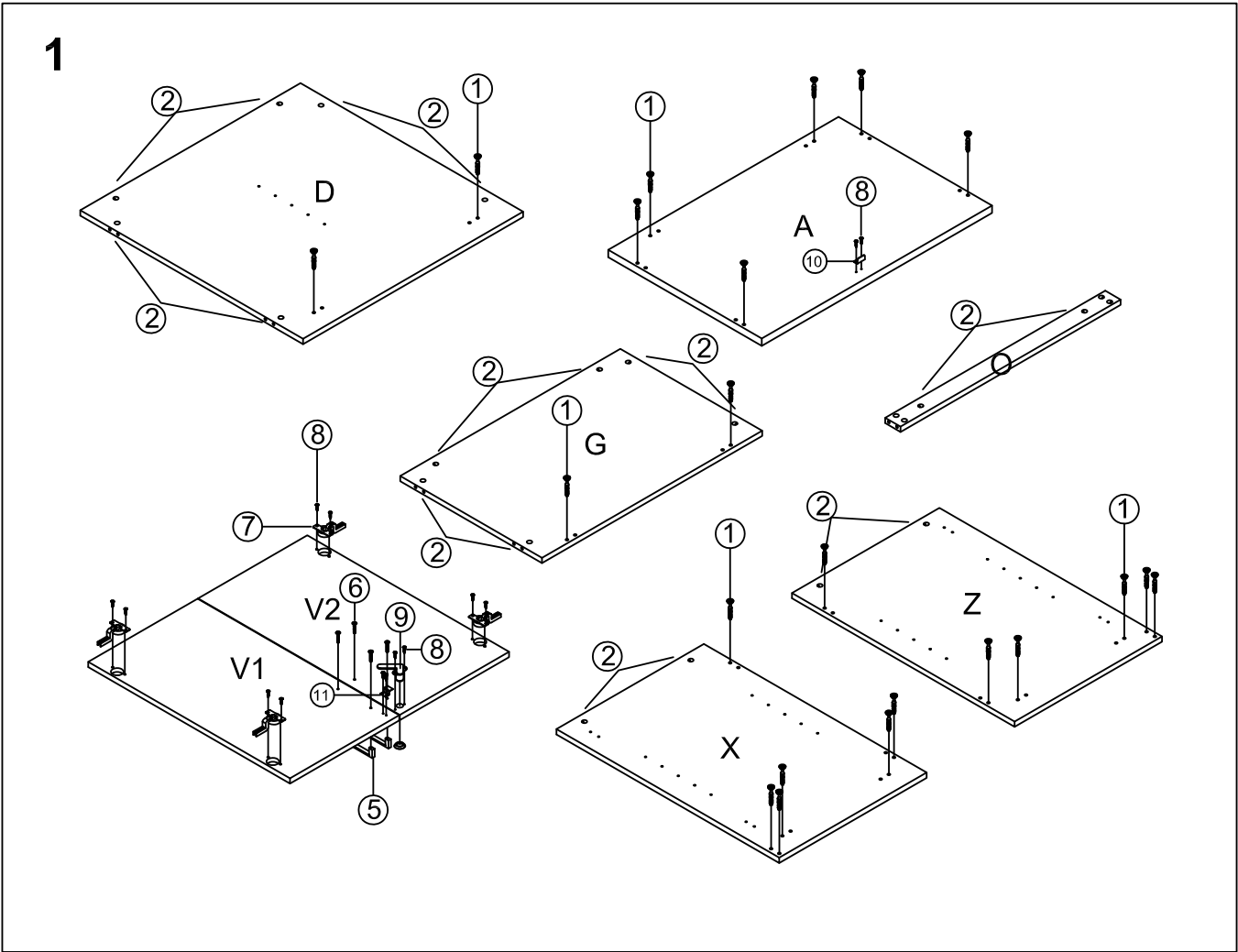
READY **2GO**

**ASSEMBLY INSTRUCTIONS**  
**Hinged Door Cupboard 1200W**  
**R2O-HINCUI2**

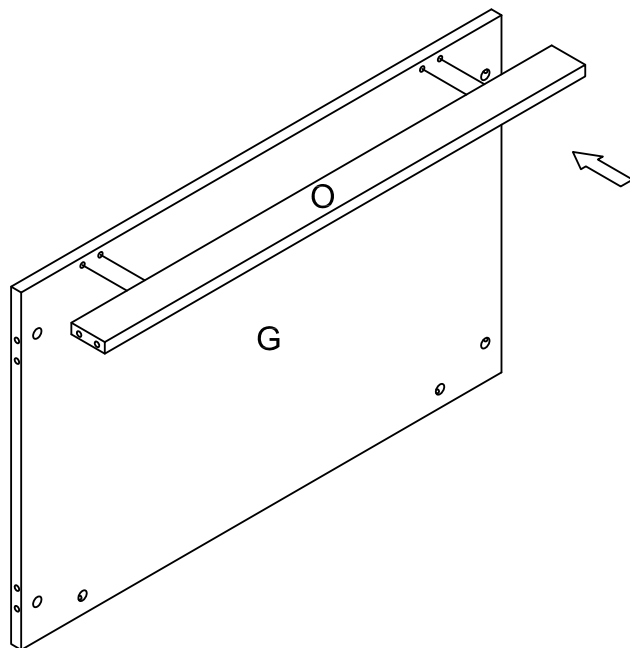




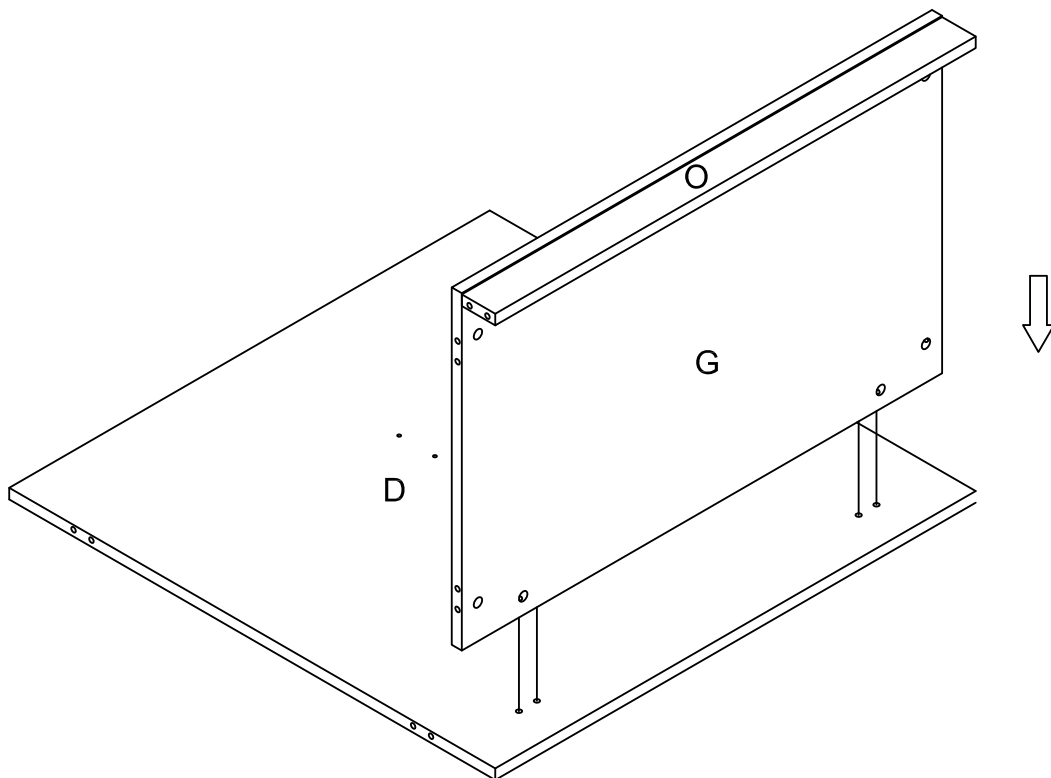
<p>pin 6×35</p> <p>①</p> <p>22PCS</p>	<p>Dowel 8×30</p> <p>②</p> <p>18PCS</p>	<p>Cam Cover</p> <p>③</p> <p>22PCS</p>	<p>Bolt Minifix</p> <p>④</p> <p>5PCS</p>	<p>Handle</p> <p>⑤</p> <p>2PCS</p>	<p>Screw 4×22</p> <p>⑥</p> <p>4PCS</p>
<p>Hinge&amp;Mount Plate</p> <p>⑦</p> <p>4PCS</p>	<p>Screw 4×16</p> <p>⑧</p> <p>30PCS</p>	<p>Lock</p> <p>⑨</p> <p>1 PCS</p>	<p>Lock Catch</p> <p>⑩</p> <p>1 PCS</p>	<p>Lock Catch</p> <p>⑪</p> <p>1 PCS</p>	



2

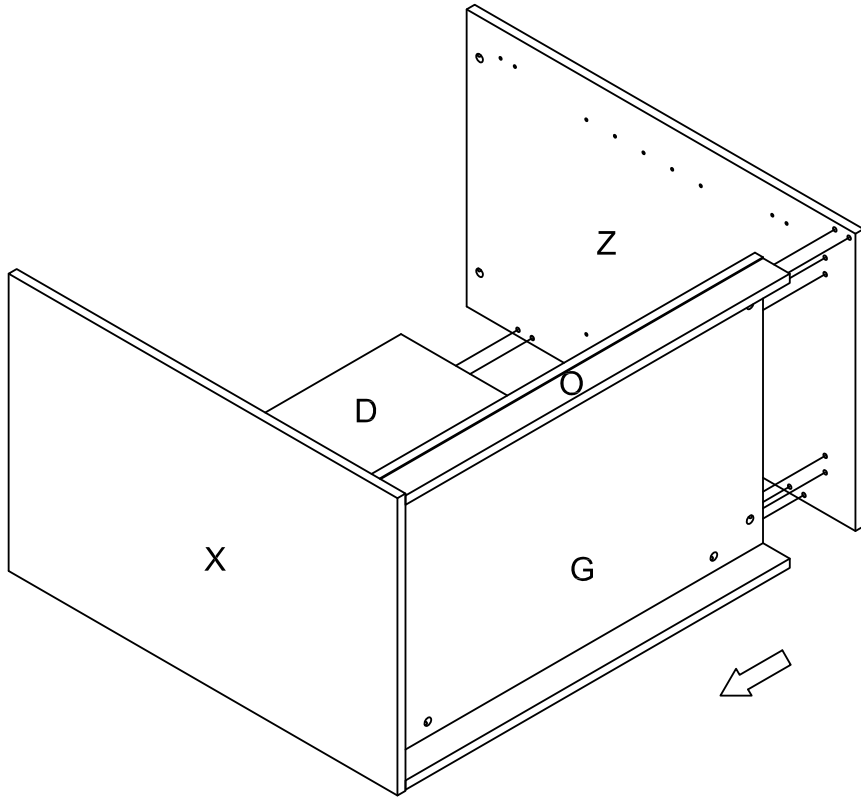


3

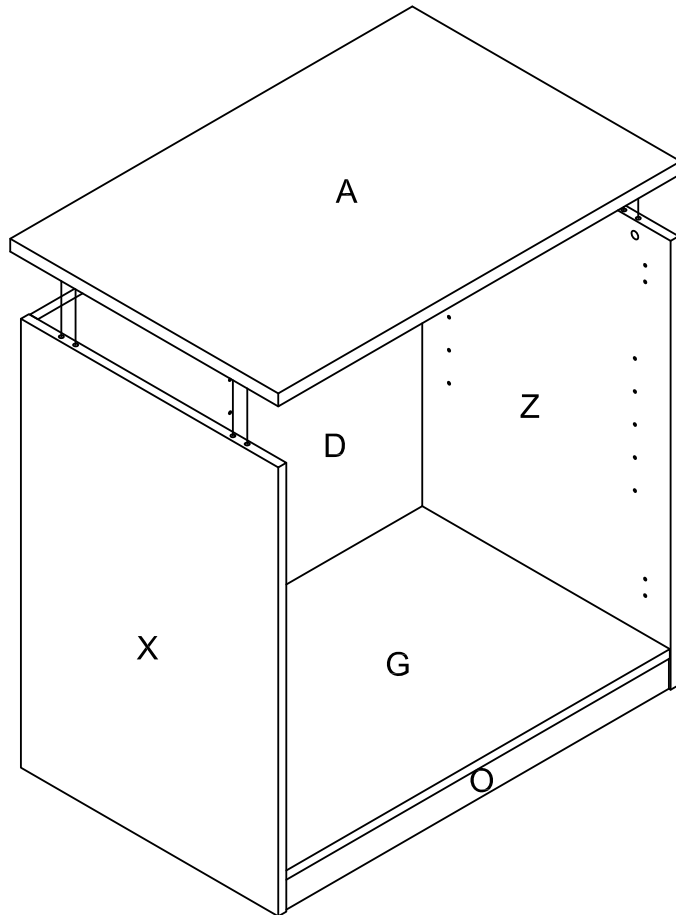




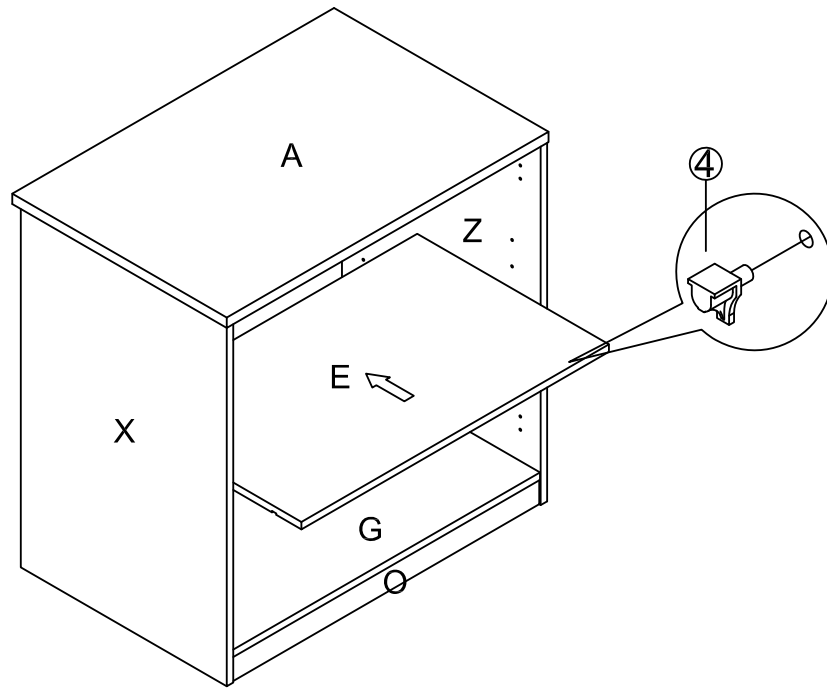
4



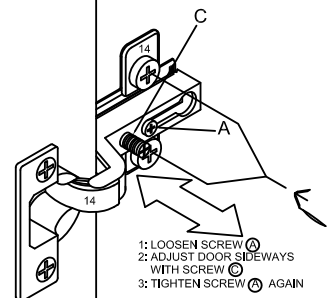
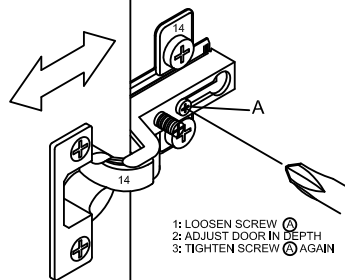
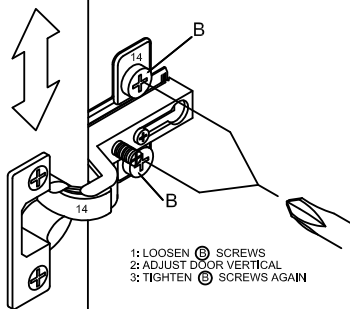
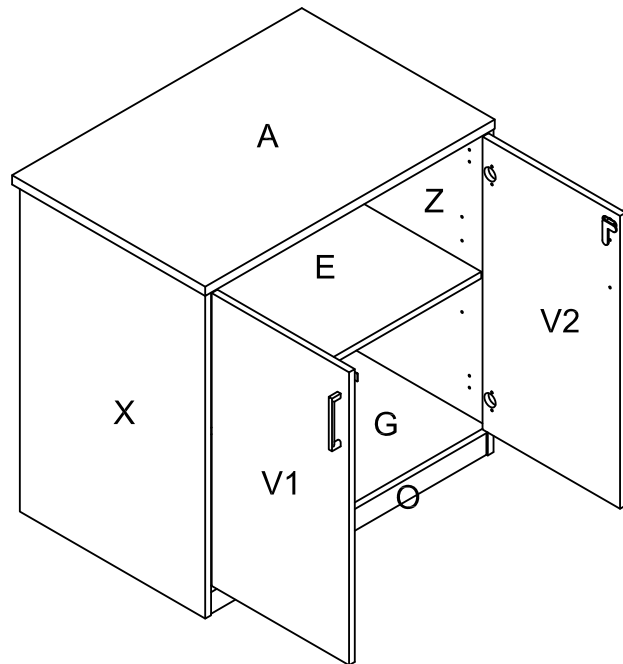
5



6



7

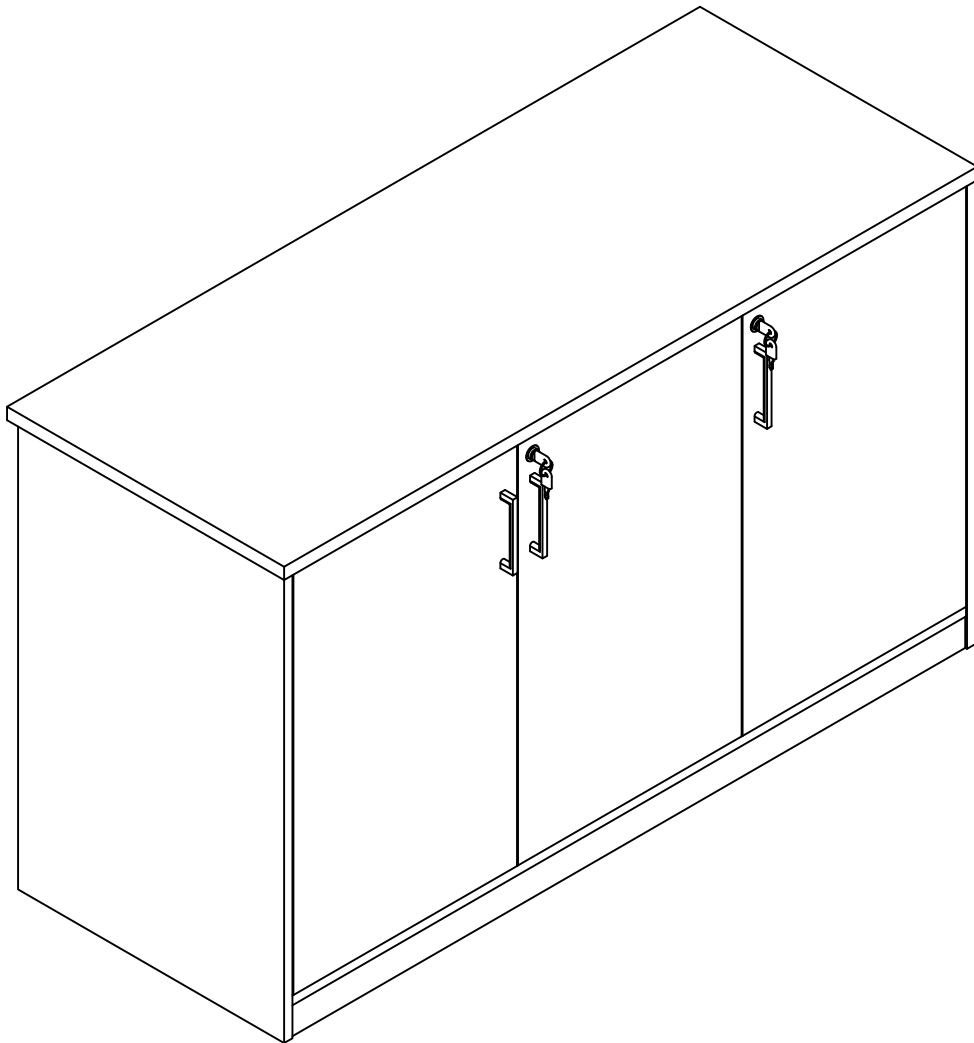


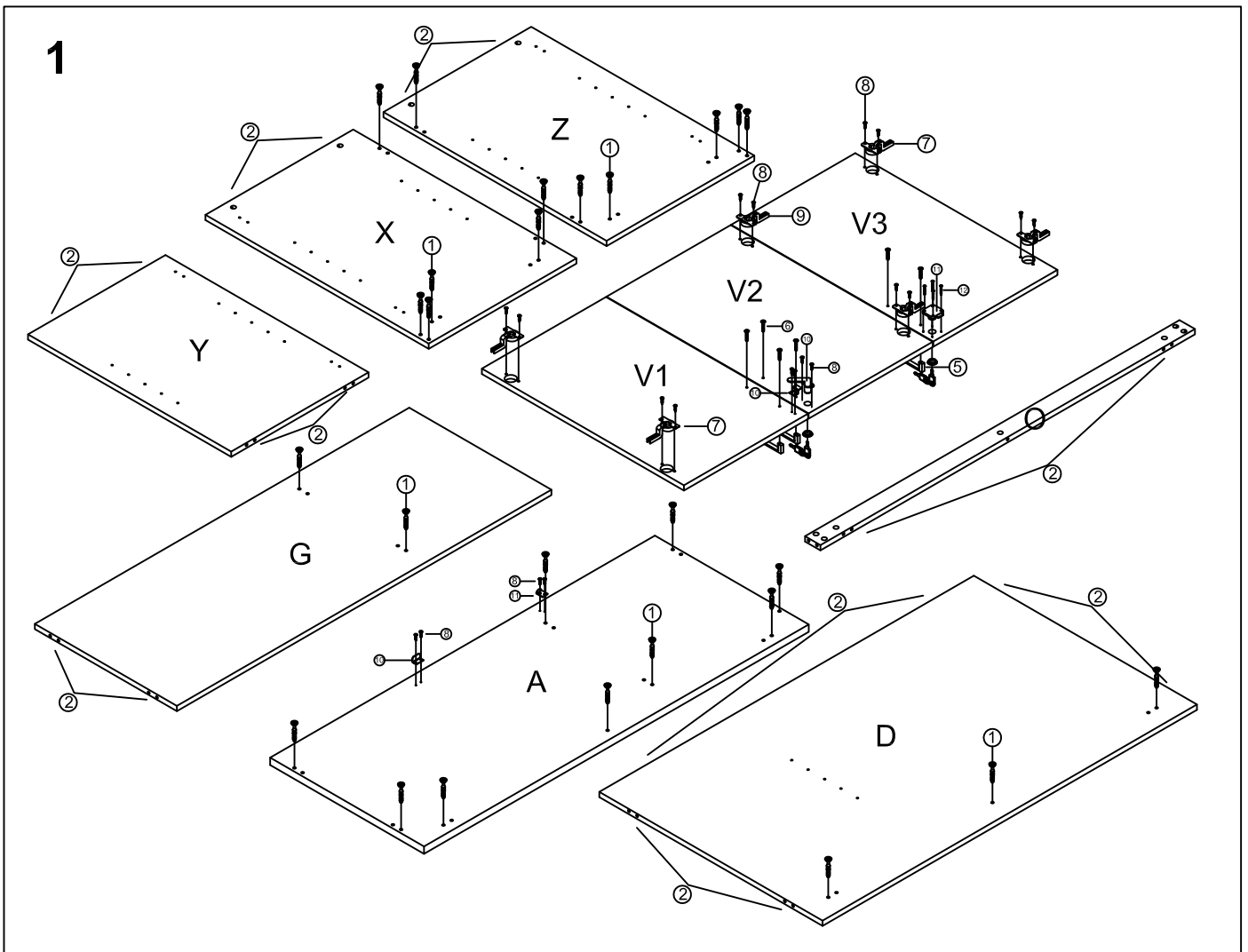
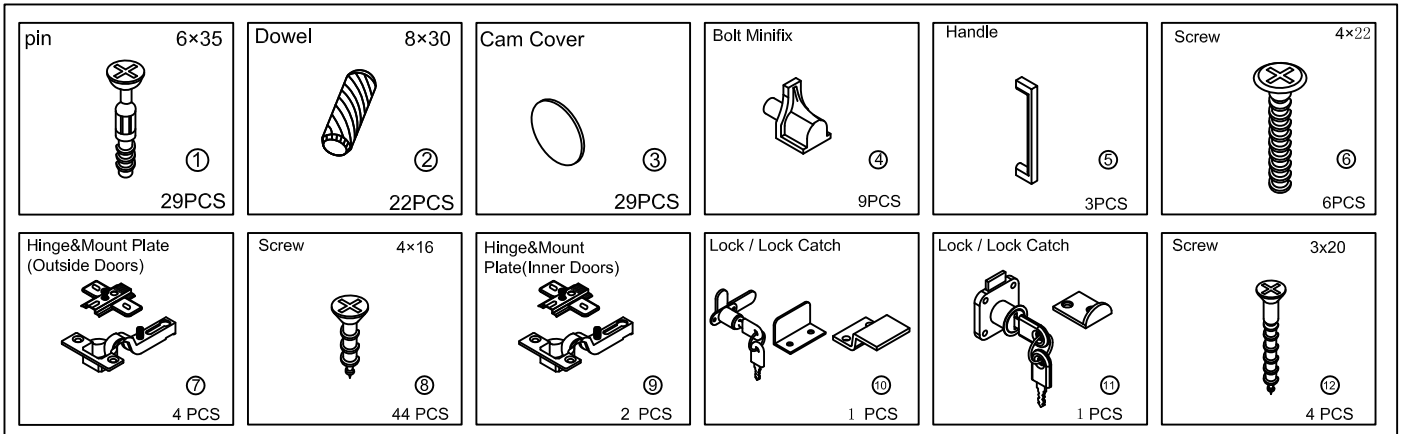
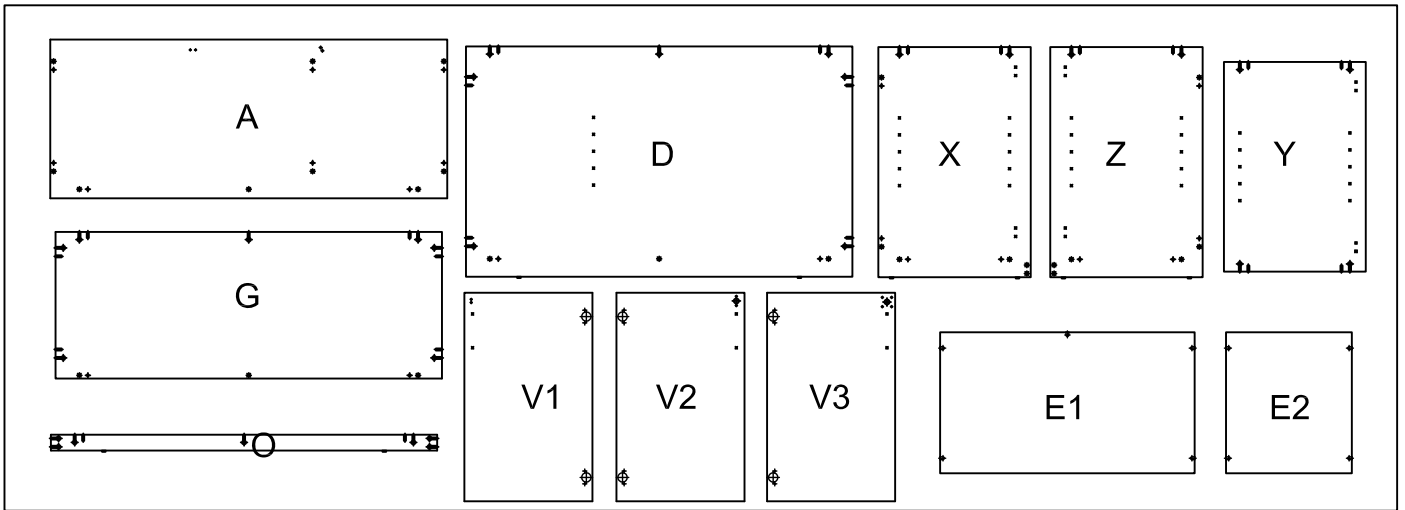


# ASSEMBLY INSTRUCTIONS

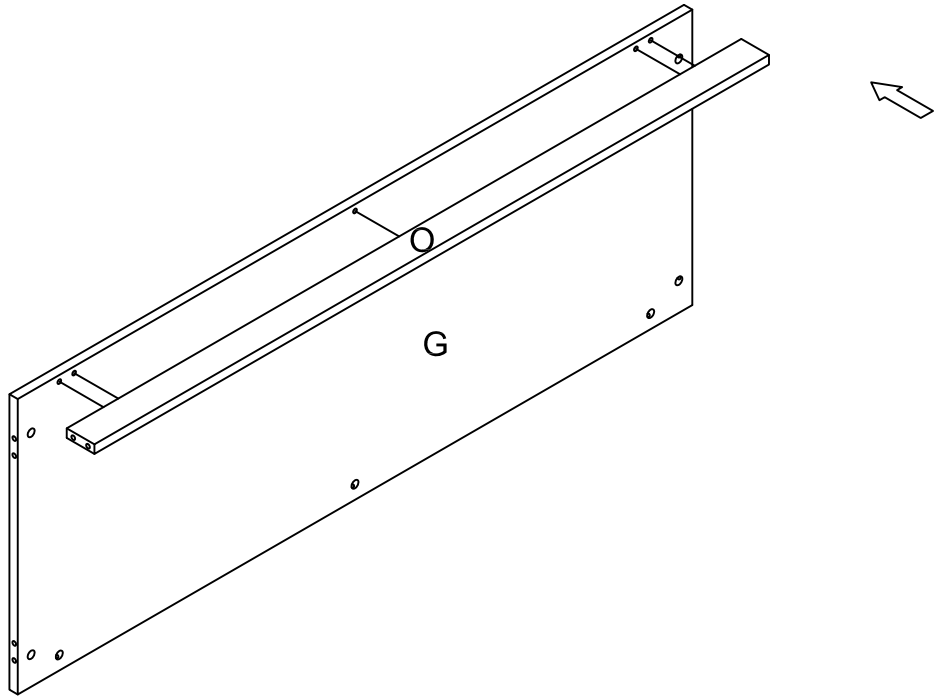
## Hinged Door Cupboard W1500

### HINGCU15

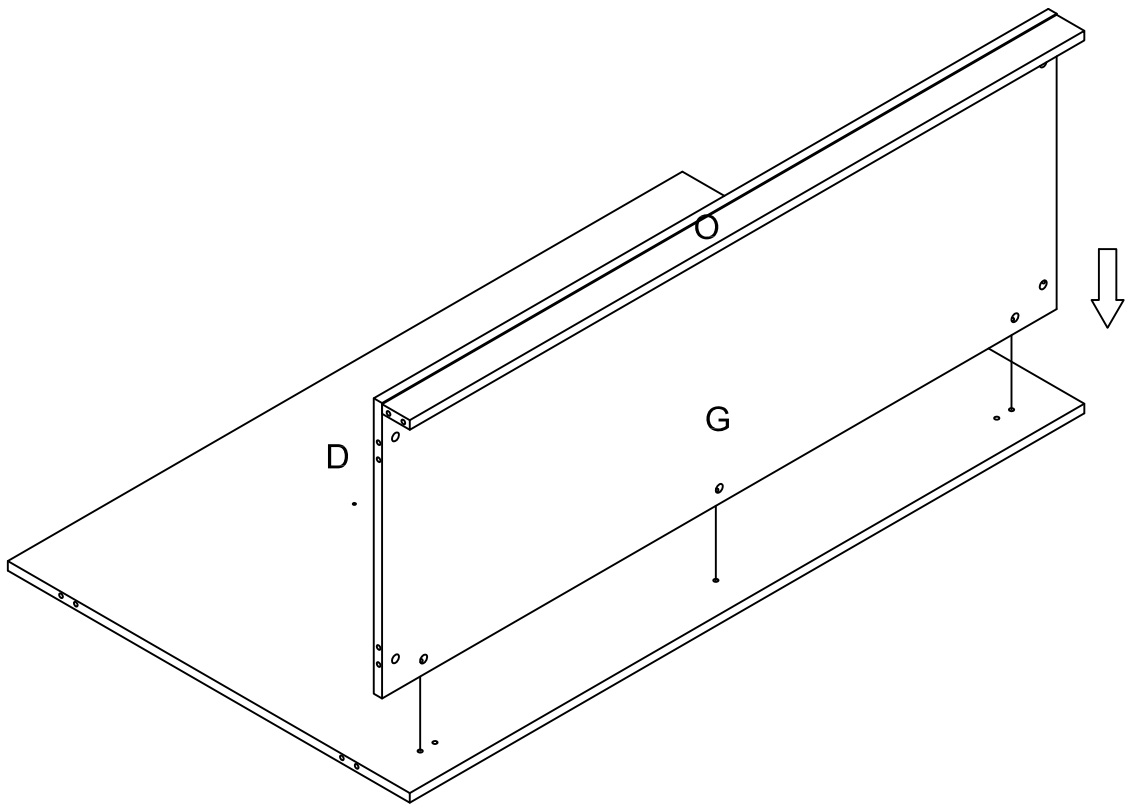




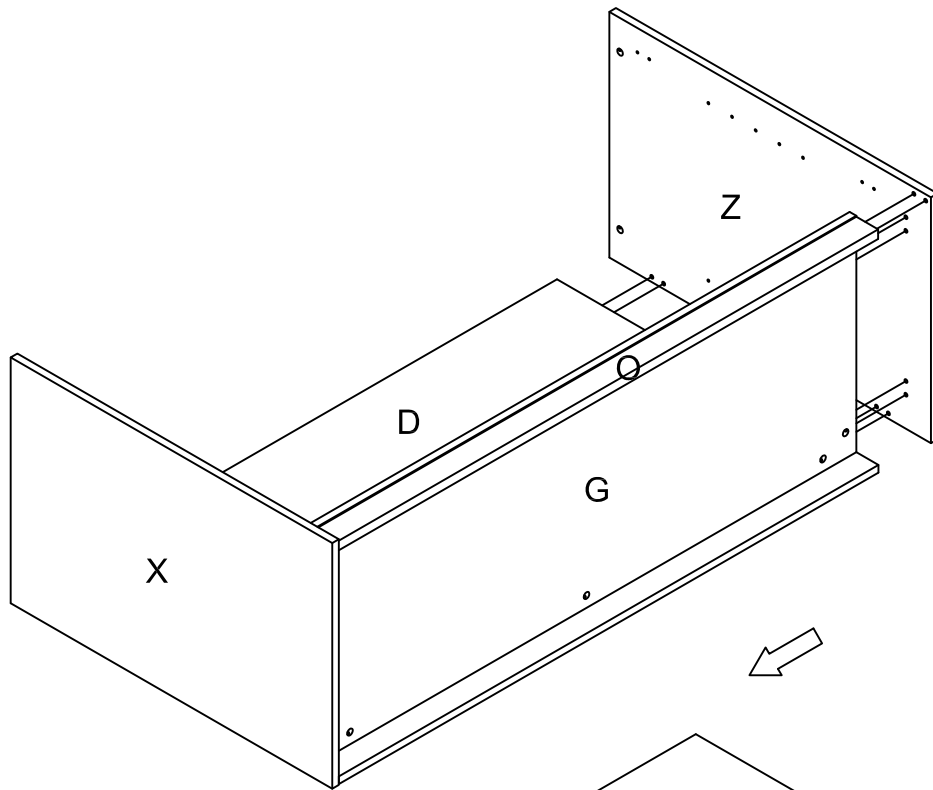
2



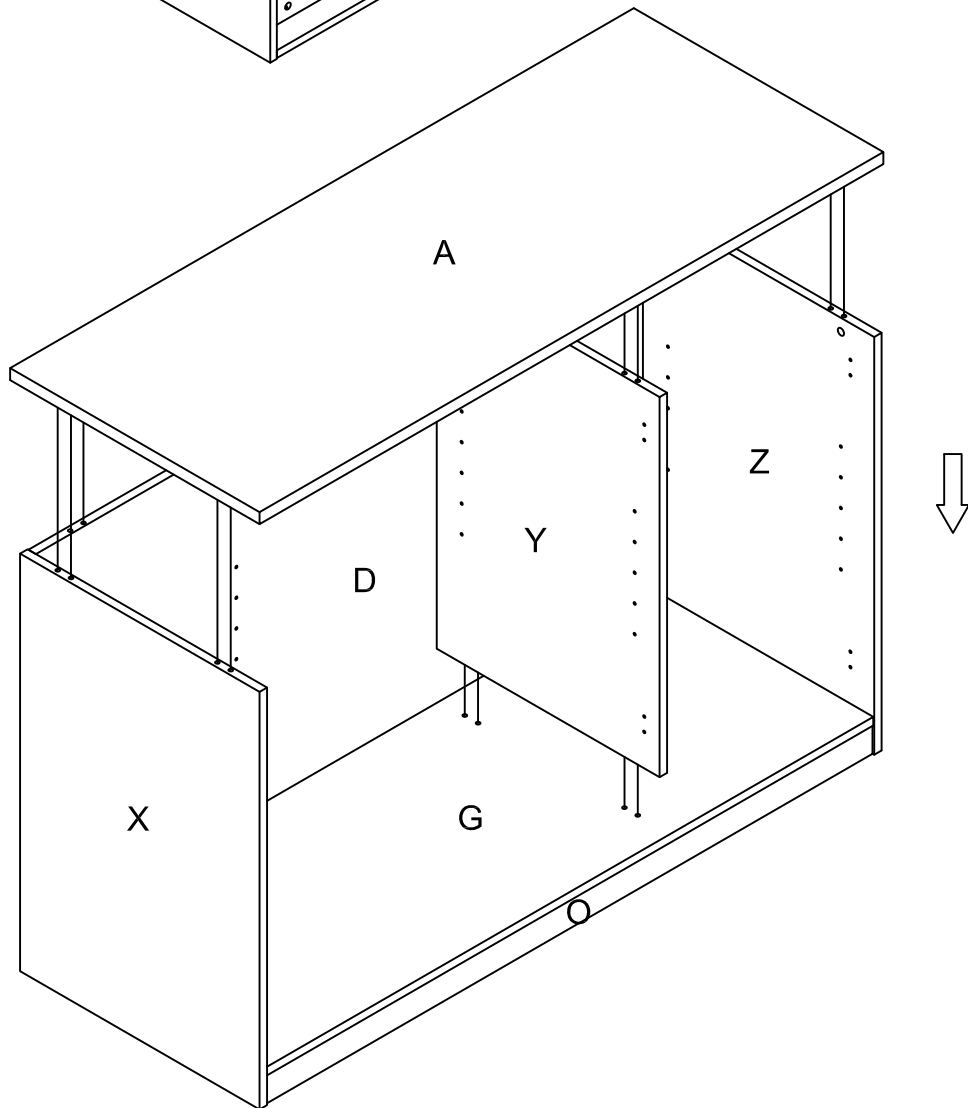
3



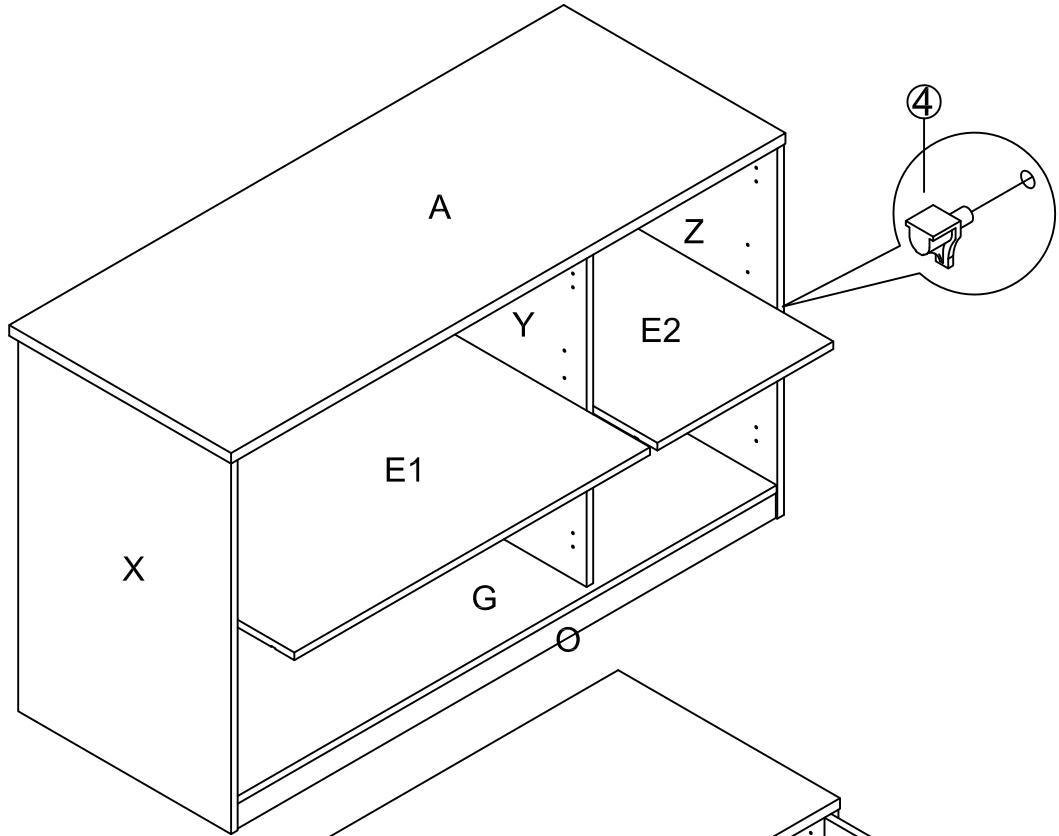
4



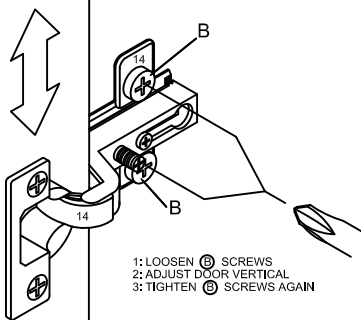
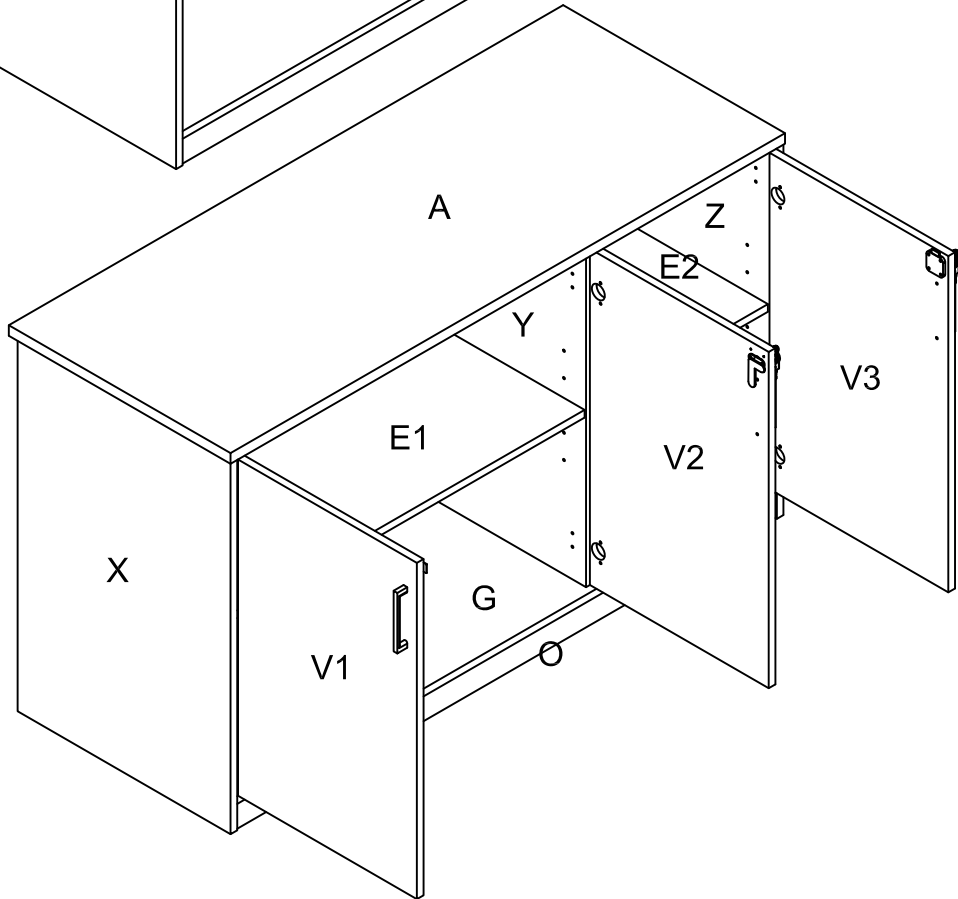
5



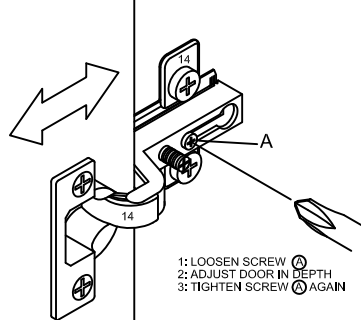
6



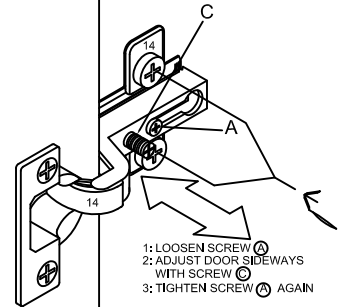
7



1: LOOSEN ⓐ SCREWS  
 2: ADJUST DOOR VERTICAL  
 3: TIGHTEN ⓐ SCREWS AGAIN



1: LOOSEN SCREW ⓐ  
 2: ADJUST DOOR IN DEPTH  
 3: TIGHTEN SCREW ⓐ AGAIN



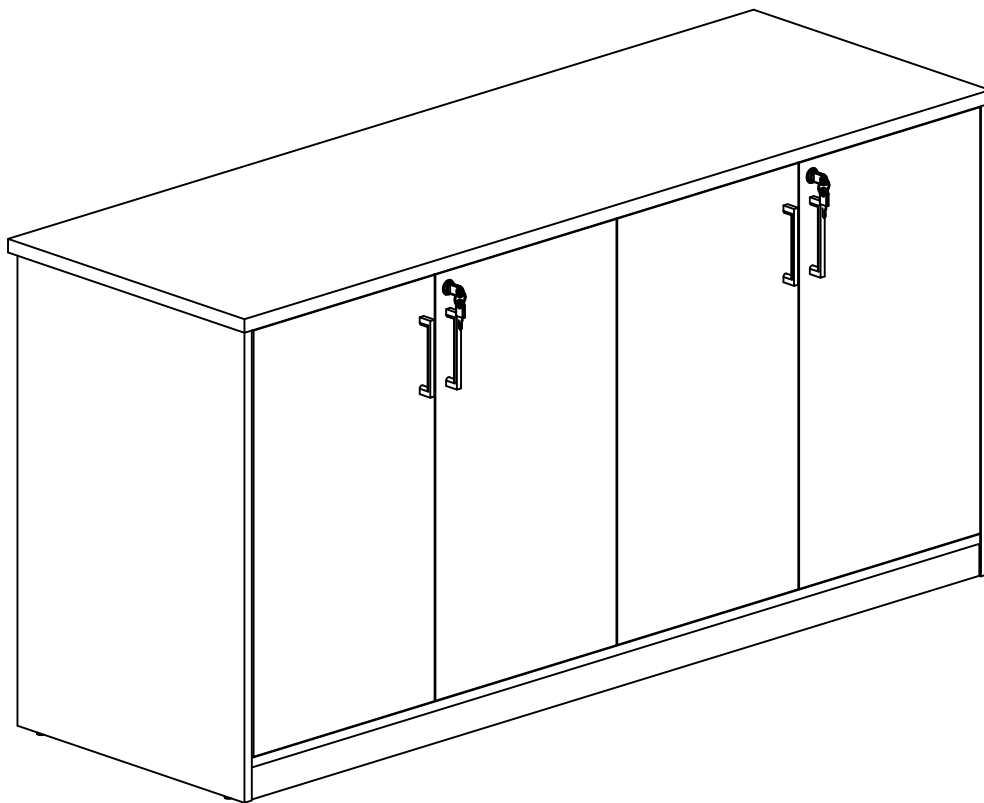
1: LOOSEN SCREW ⓐ  
 2: ADJUST DOOR SIDWAYS  
 WITH SCREW ⓐ  
 3: TIGHTEN SCREW ⓐ AGAIN



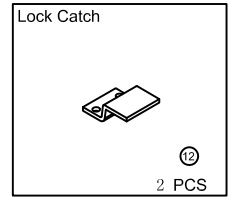
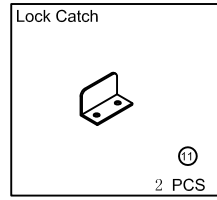
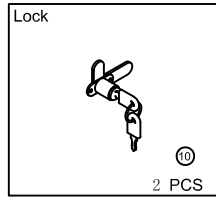
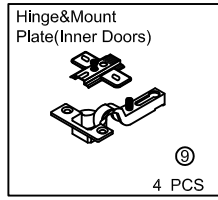
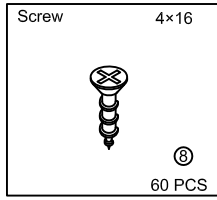
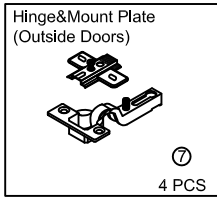
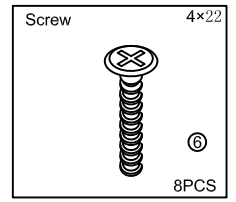
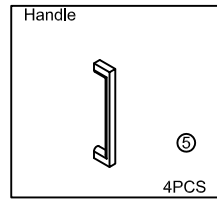
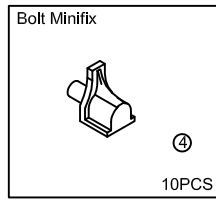
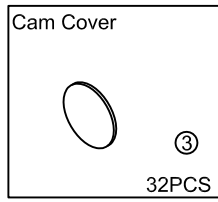
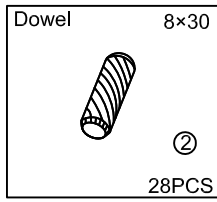
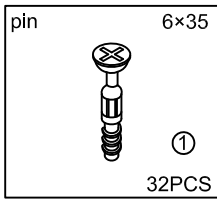
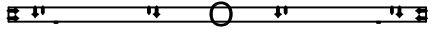
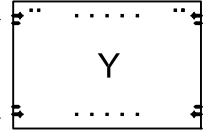
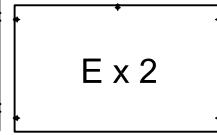
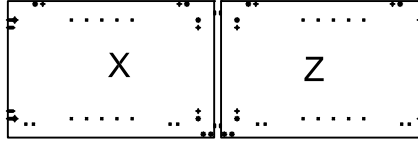
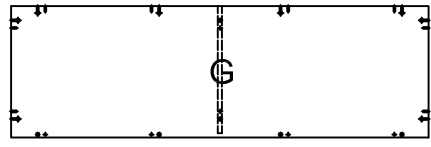
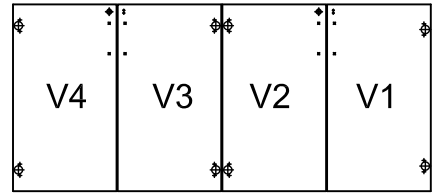
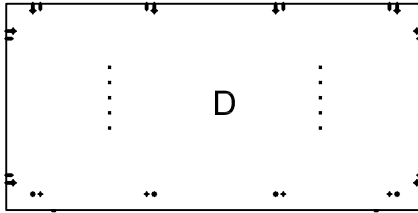
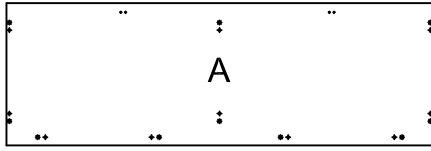
# ASSEMBLY INSTRUCTIONS

## Hinged Door Cupboard W1800

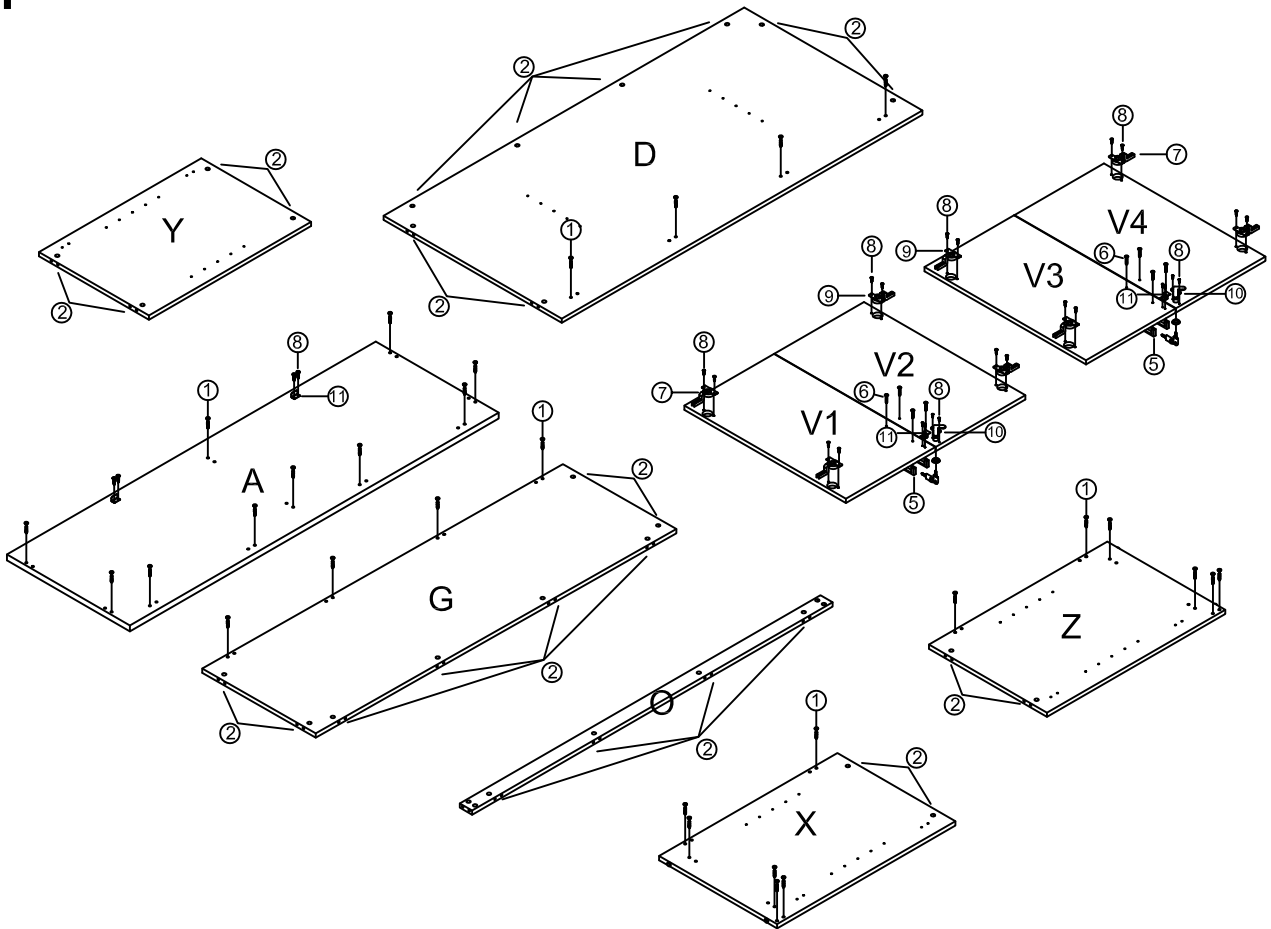
### HINGCU18



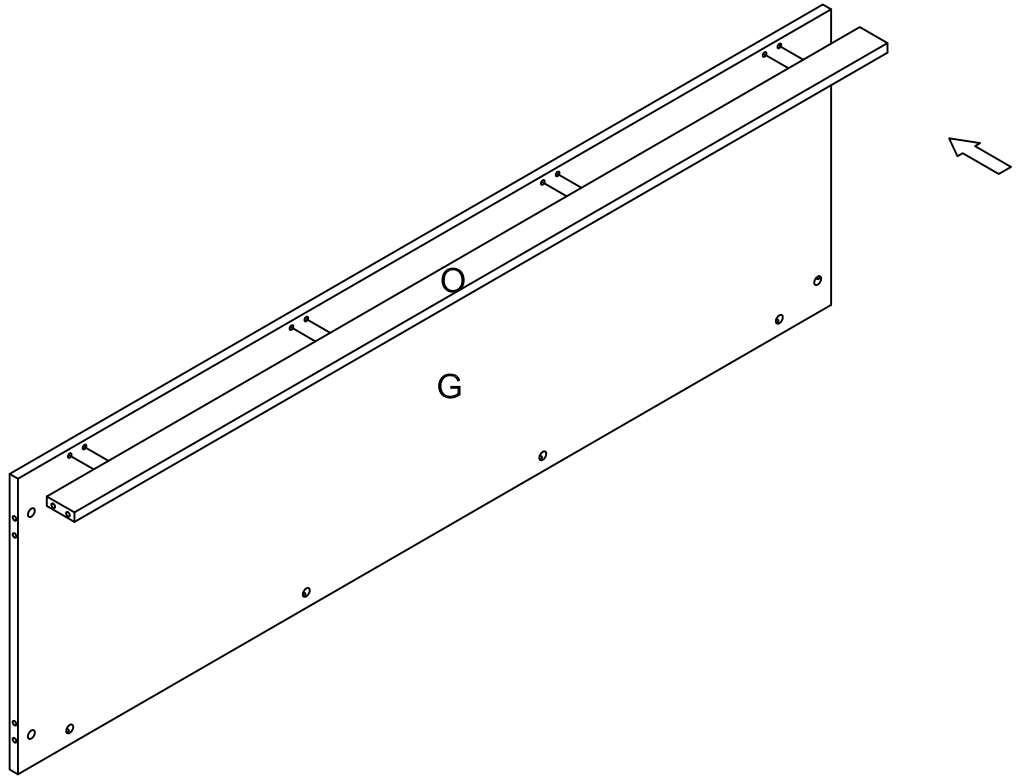




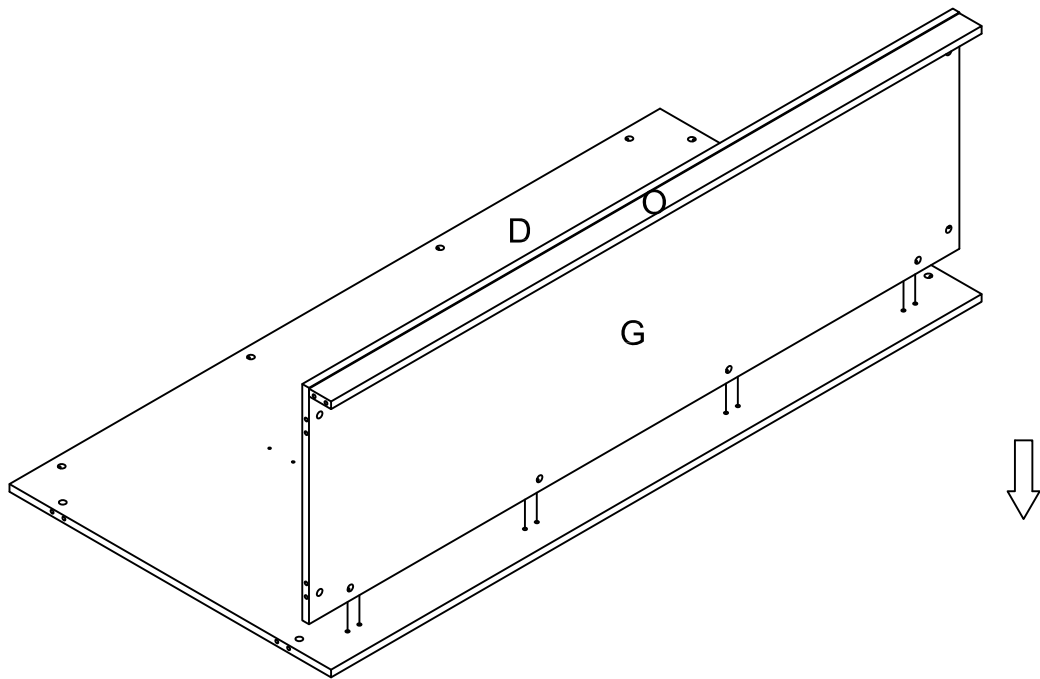
1



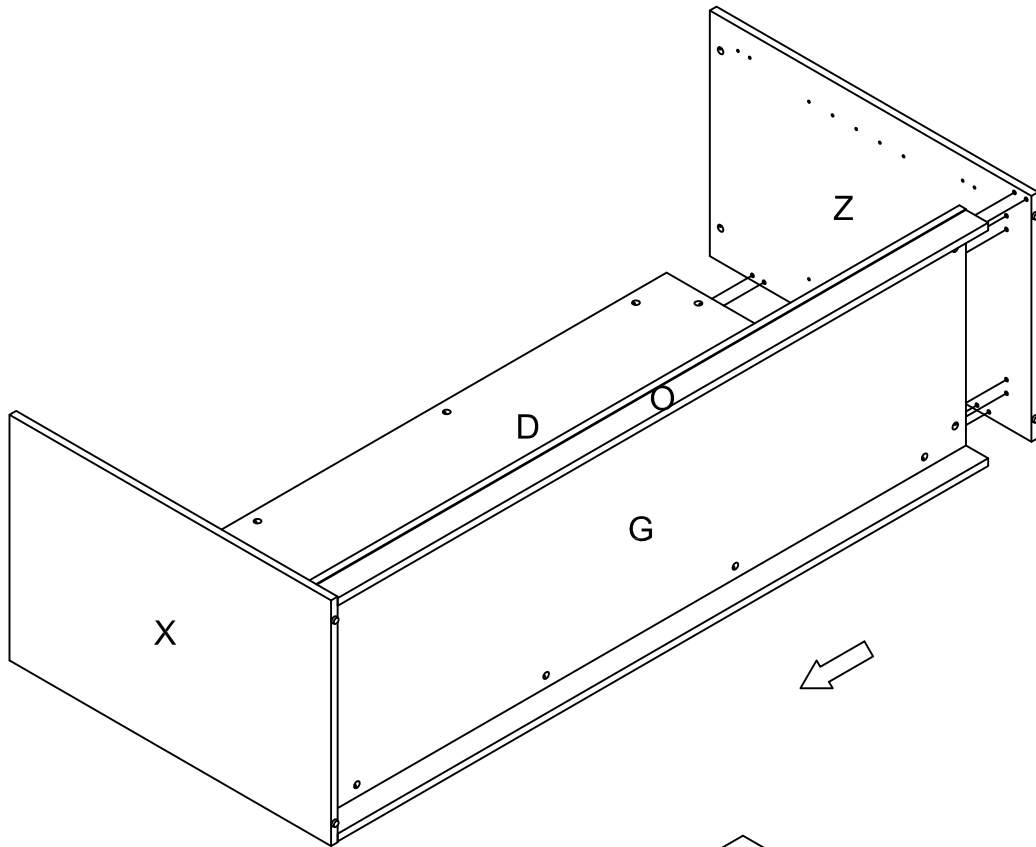
2



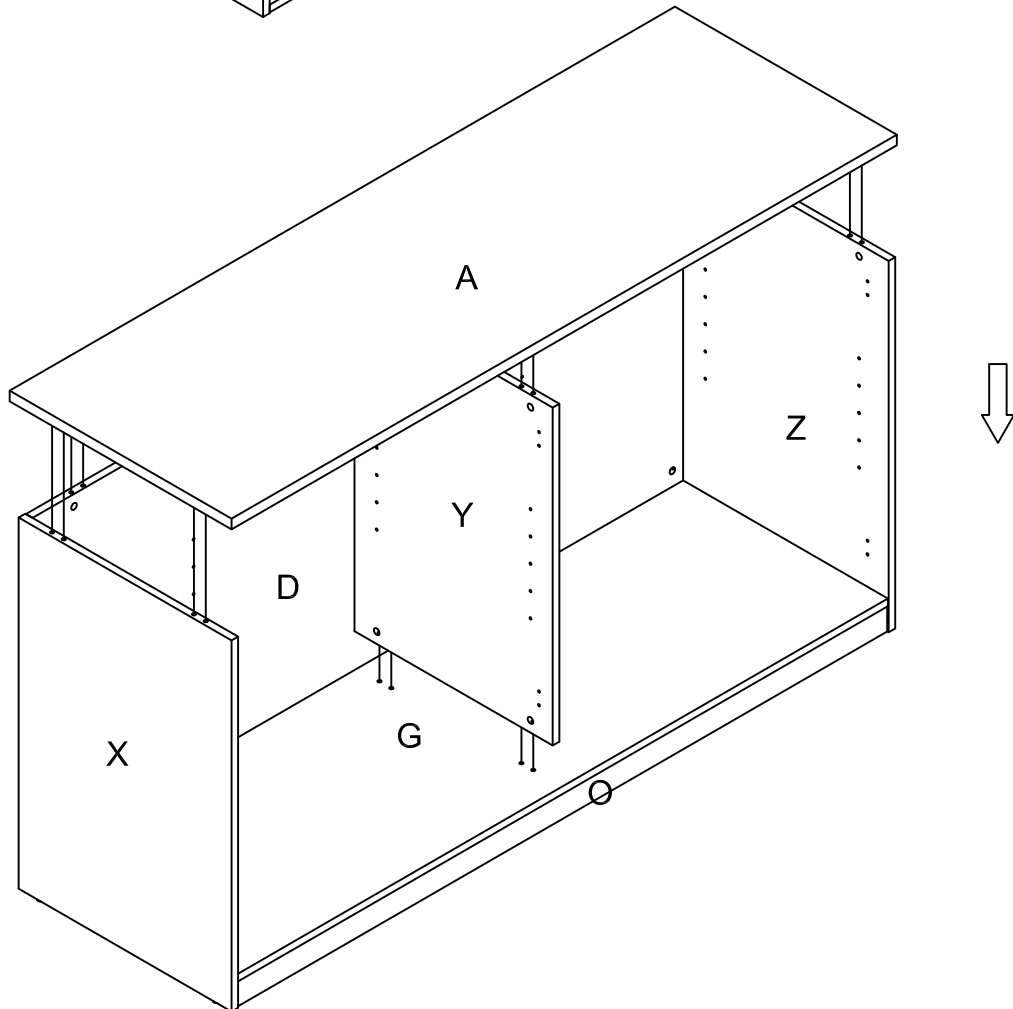
3



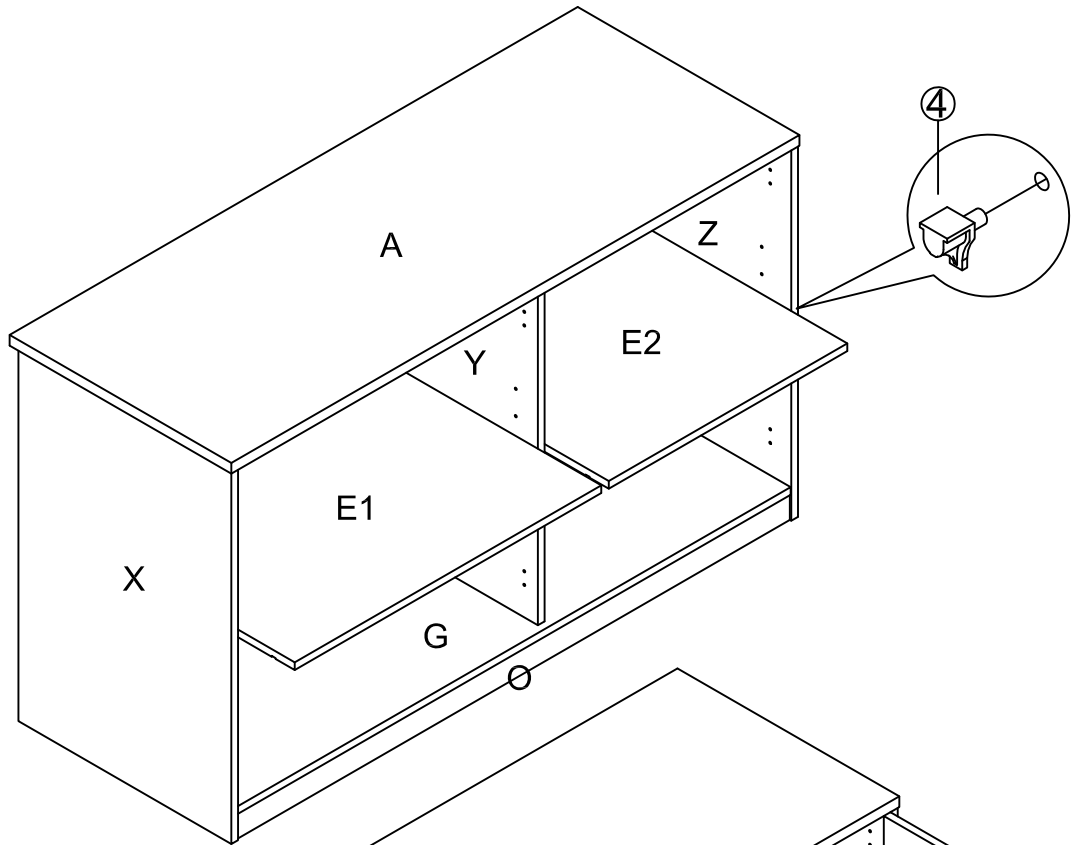
4



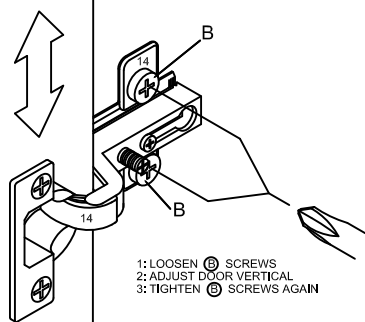
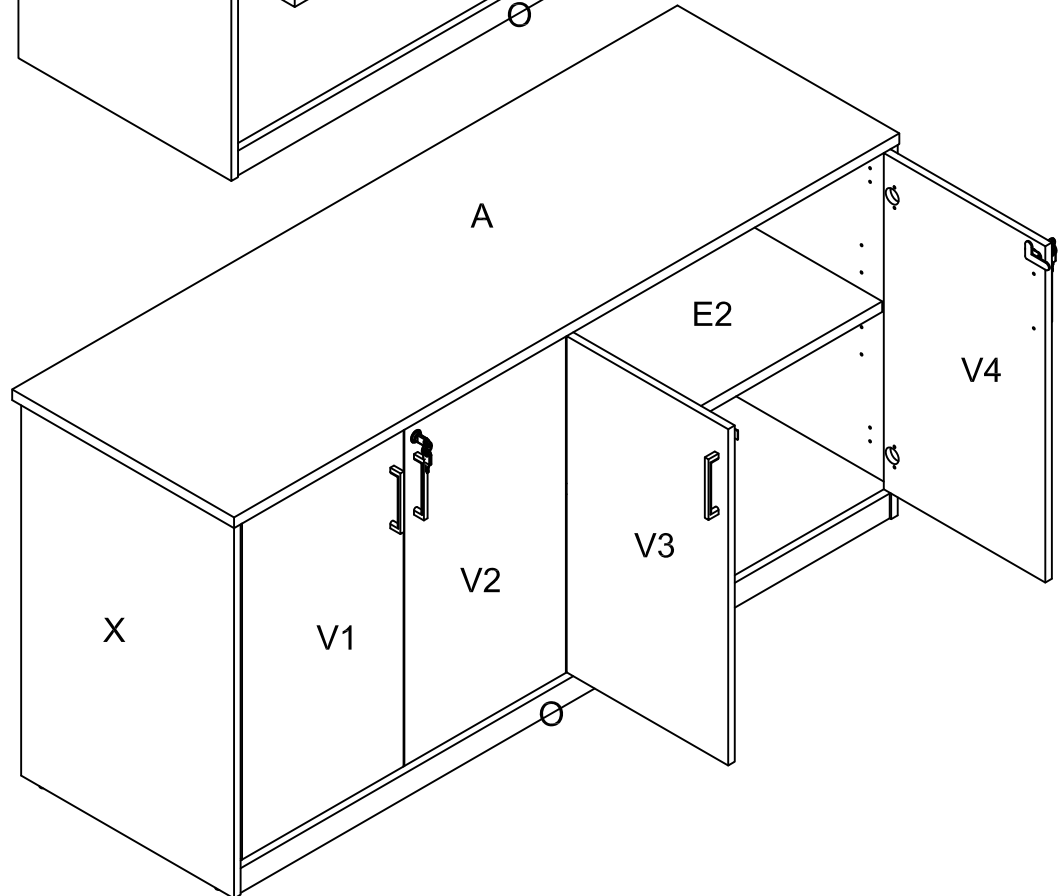
5



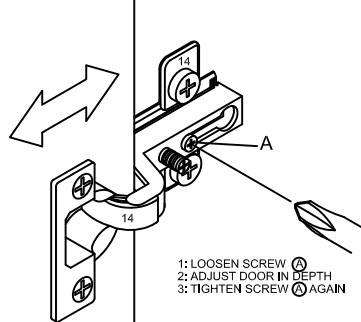
6



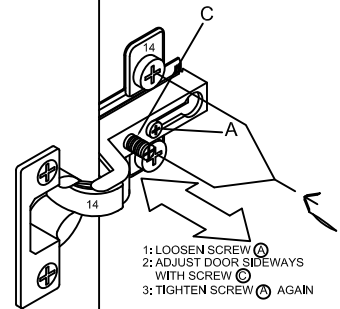
7



- 1: LOOSEN ⓐ SCREWS
- 2: ADJUST DOOR VERTICAL
- 3: TIGHTEN ⓐ SCREWS AGAIN



- 1: LOOSEN SCREW ⓐ
- 2: ADJUST DOOR IN DEPTH
- 3: TIGHTEN SCREW ⓐ AGAIN



- 1: LOOSEN SCREW ⓐ
- 2: ADJUST DOOR SIDWAYS WITH SCREW ⓐ
- 3: TIGHTEN SCREW ⓐ AGAIN