



elevator

VALOR technical specifications

Valor

Monitor Arm

The Valor monitor arm is the ideal ergonomic and space saving desk mount for any office environment. It's simple design and dynamic functionality seamlessly enhances workspace and productivity.

The single arm carries a weight rating of up to 9kg and is easily adjustable, with a tension indicator built into the slim arm profile. The integrated 180° rotation stop automatically prevents collisions with walls or desk partitions/screens.

Valor has a travel range of 260mm, from lowest to highest point, for optimum monitor height. The viewing angle can also be achieved with an 80° tilt and a pan of 180°.

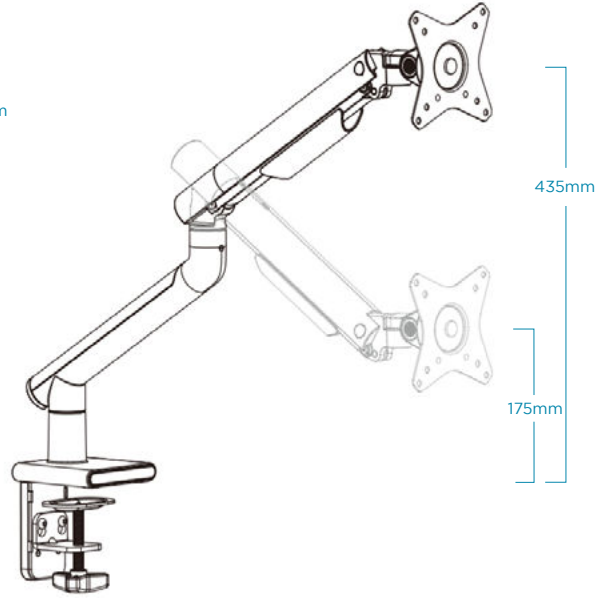
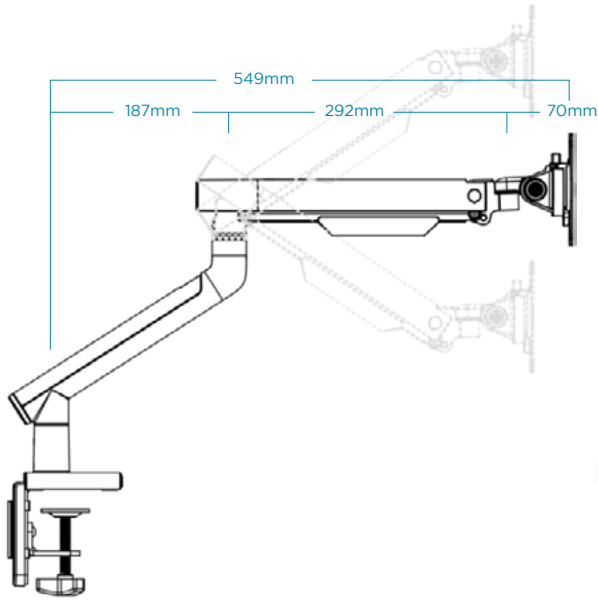
Backed by a comprehensive 7-year warranty.

Product Type	Versatile, cost-effective dynamic monitor arm
Weight Capacity	2 - 9kgs
Mounting	Desk clamp and bolt through fittings included
Cable Management	Integrated cable management above and below included
Features	Max reach 549mm, max height 435mm to centre of screen, 380° Tilt and Pivot, Tension Indicator, Tool Storage, Fast Install Time
Rotation Stop	180° stop, or 360° full-rotation
Quick Release	Quick release plate included, 75mm and 100mm Vesa mount, Landscape / Portrait screen rotation
Finish	Black, White
Warranty	7 Years



Valor Monitor Arm

Arm Dimensions



Arm Details

