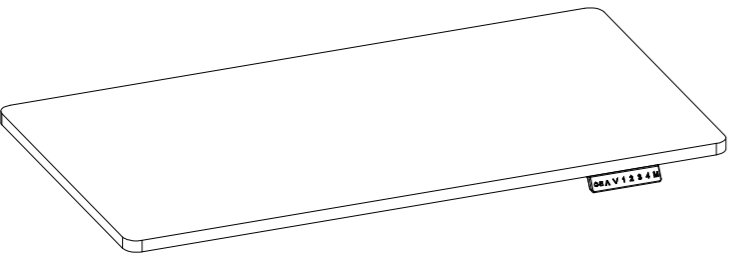
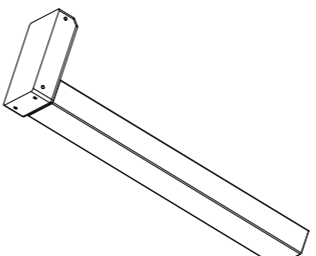
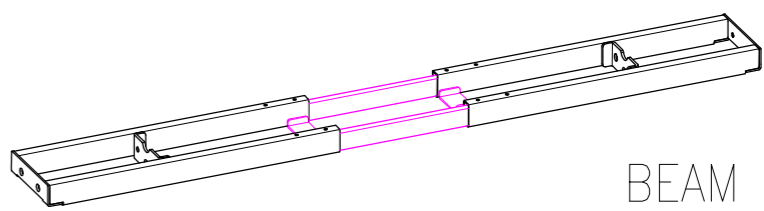
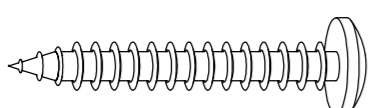
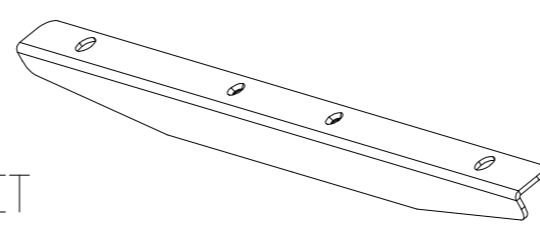
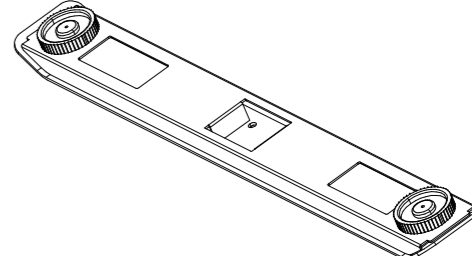
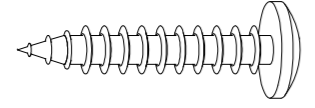
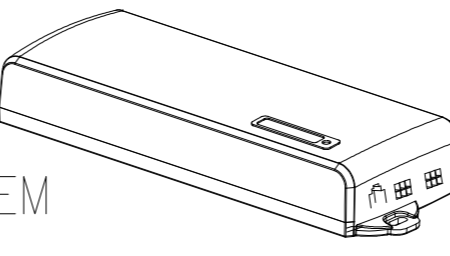
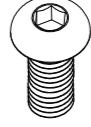
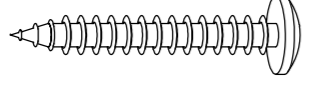
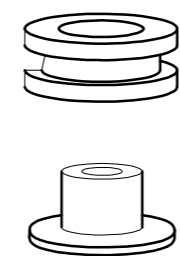
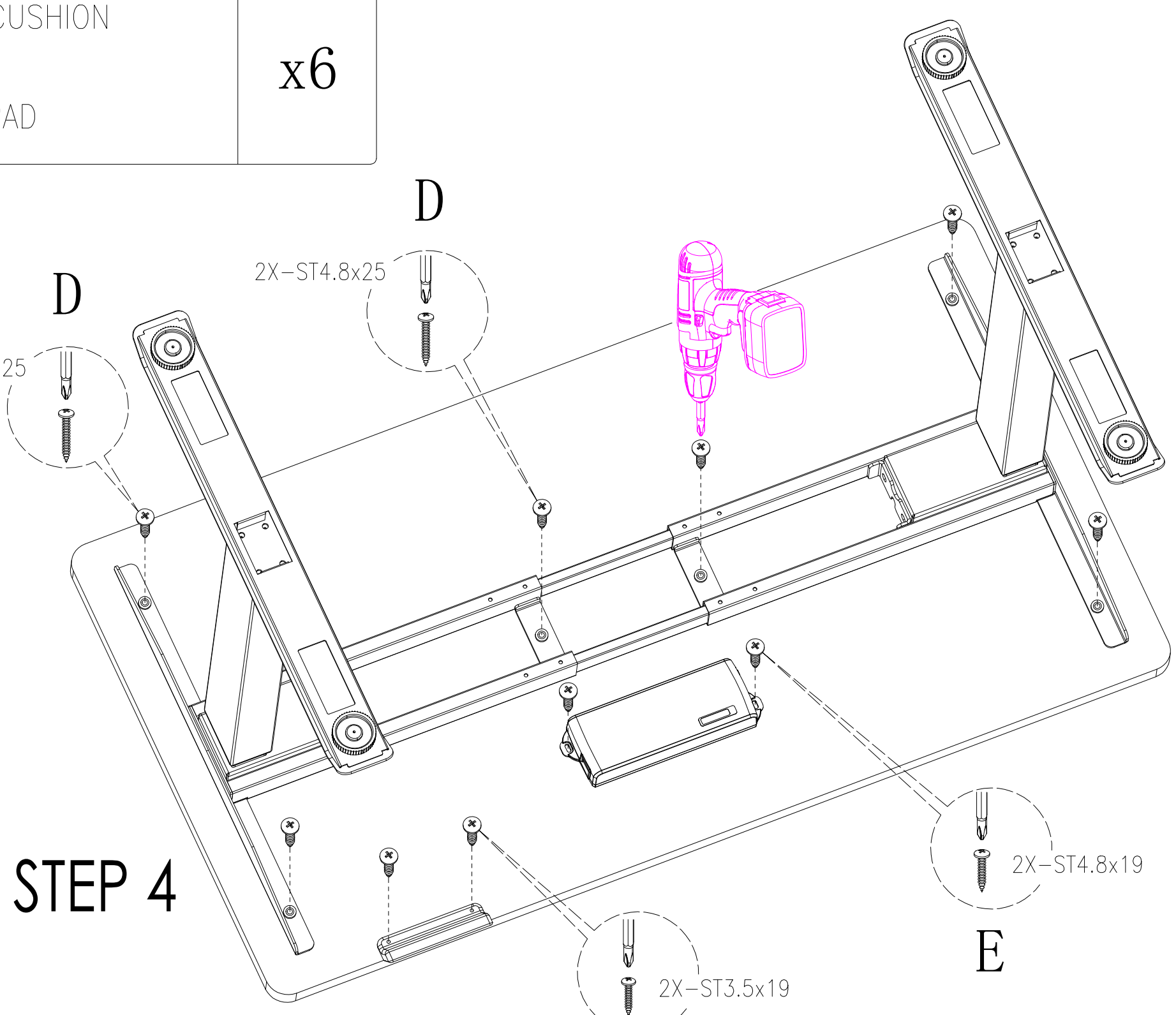
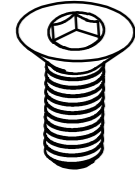
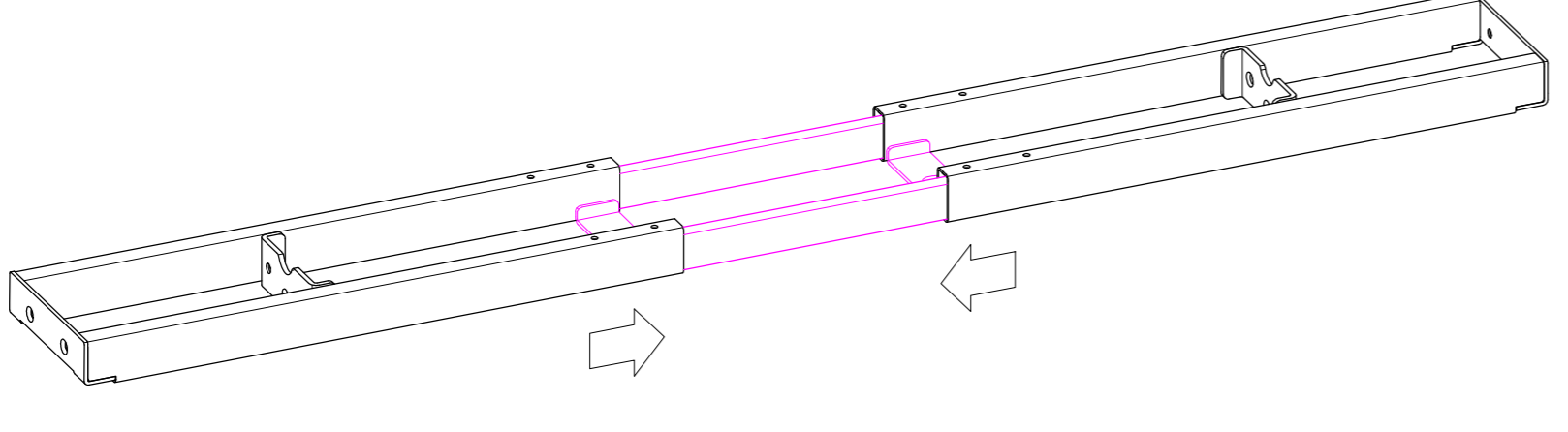
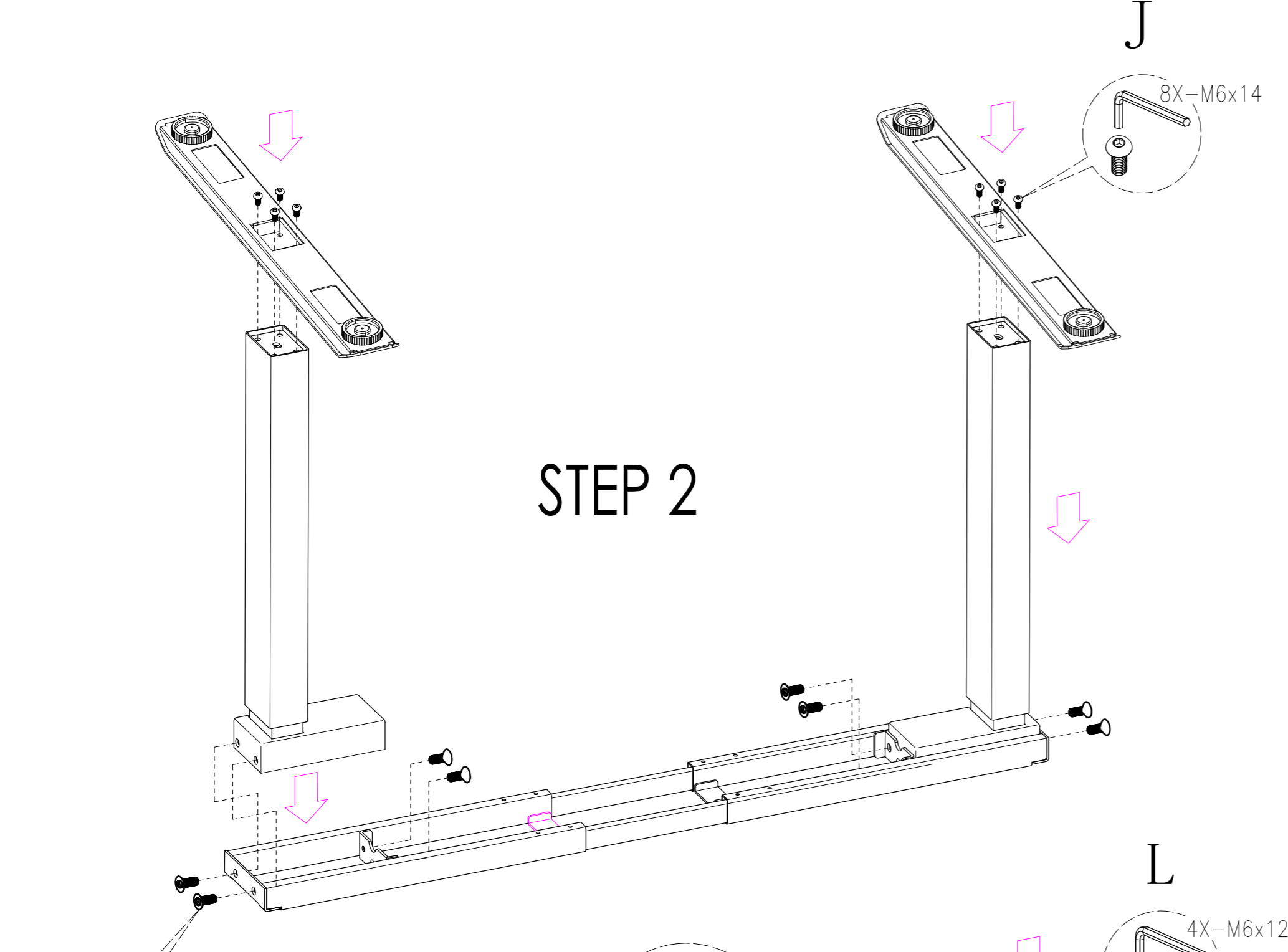


A		x1	B	LEG 	x2	C	BEAM 	x1
D	 ST4.8x25	x6	G	BRACKET 	x2	H	FEET 	x2
E	 ST4.8x19	x2	I	LIFTING SYSTEM 	x2	J	M6x14 	x8
F	 ST3.5x19	x2	K	RUBBER CUSHION PLASTIC PAD 	x6			
L	 M6x12	x12						

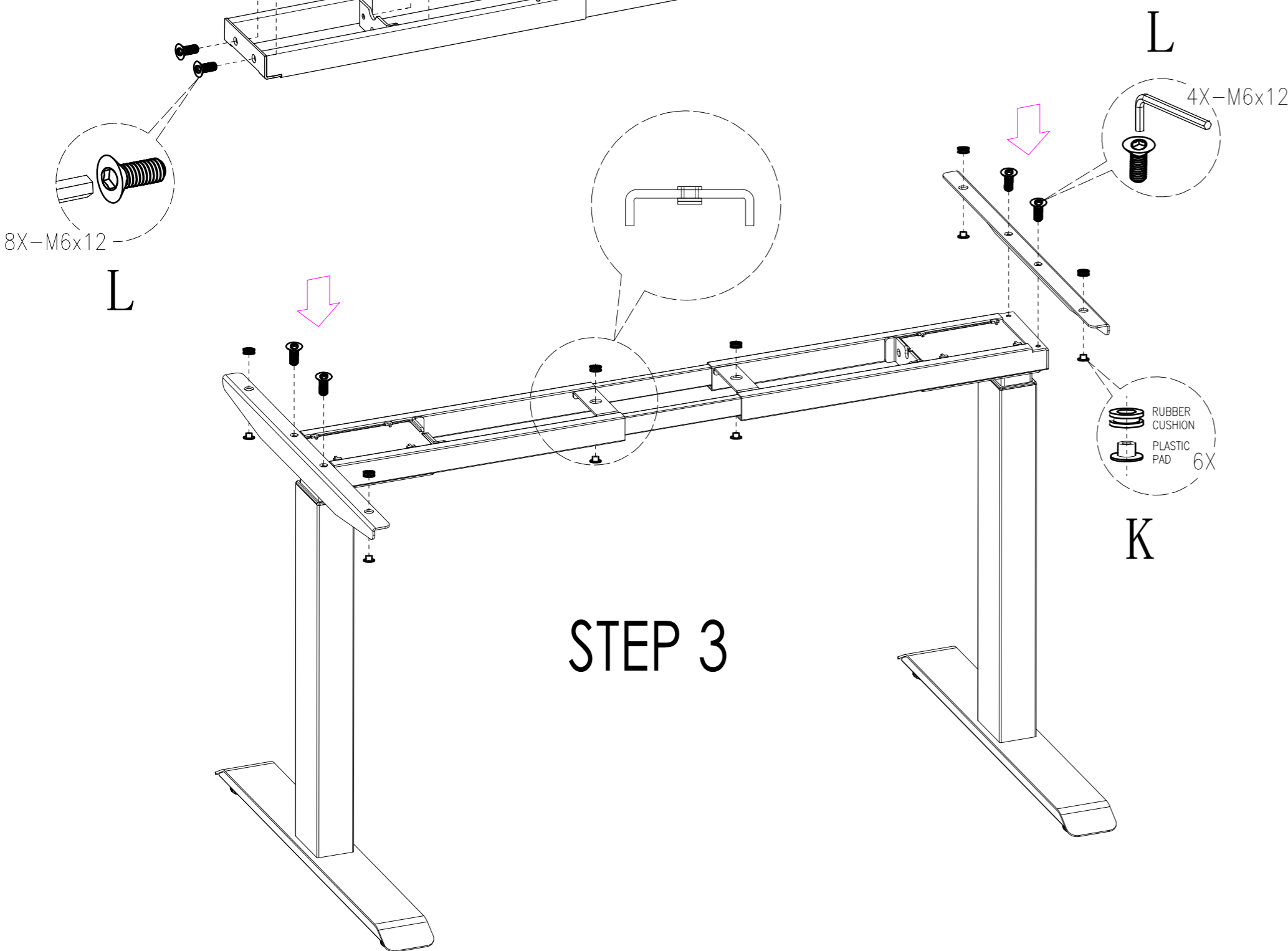
STEP 1



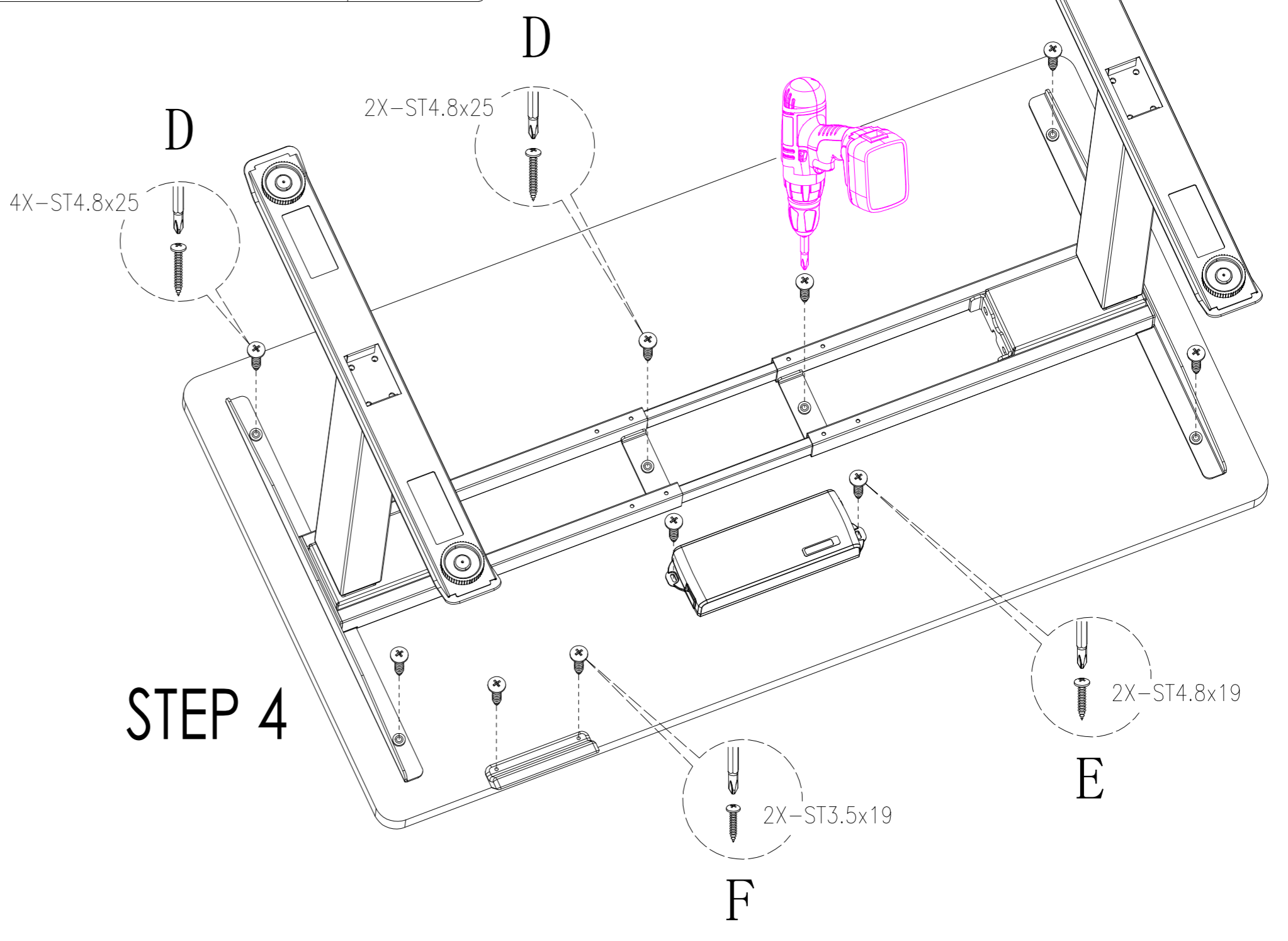
STEP 2



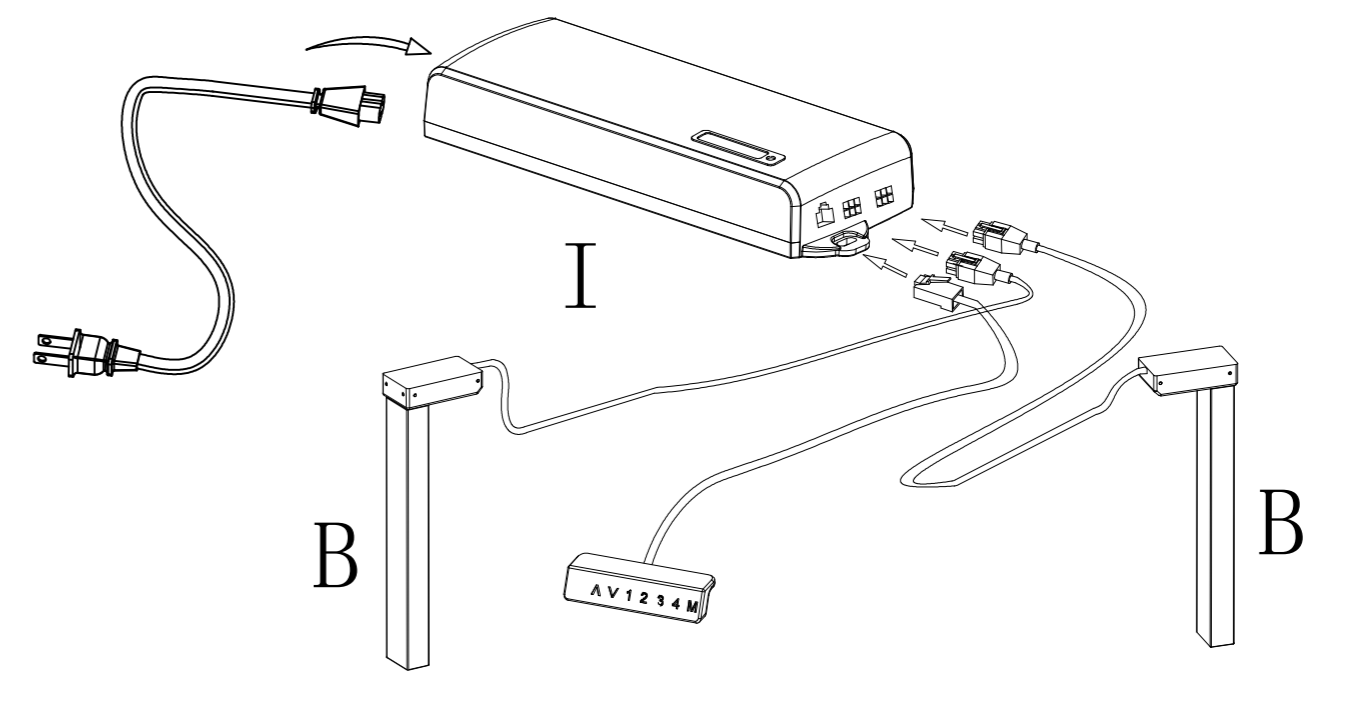
STEP 3



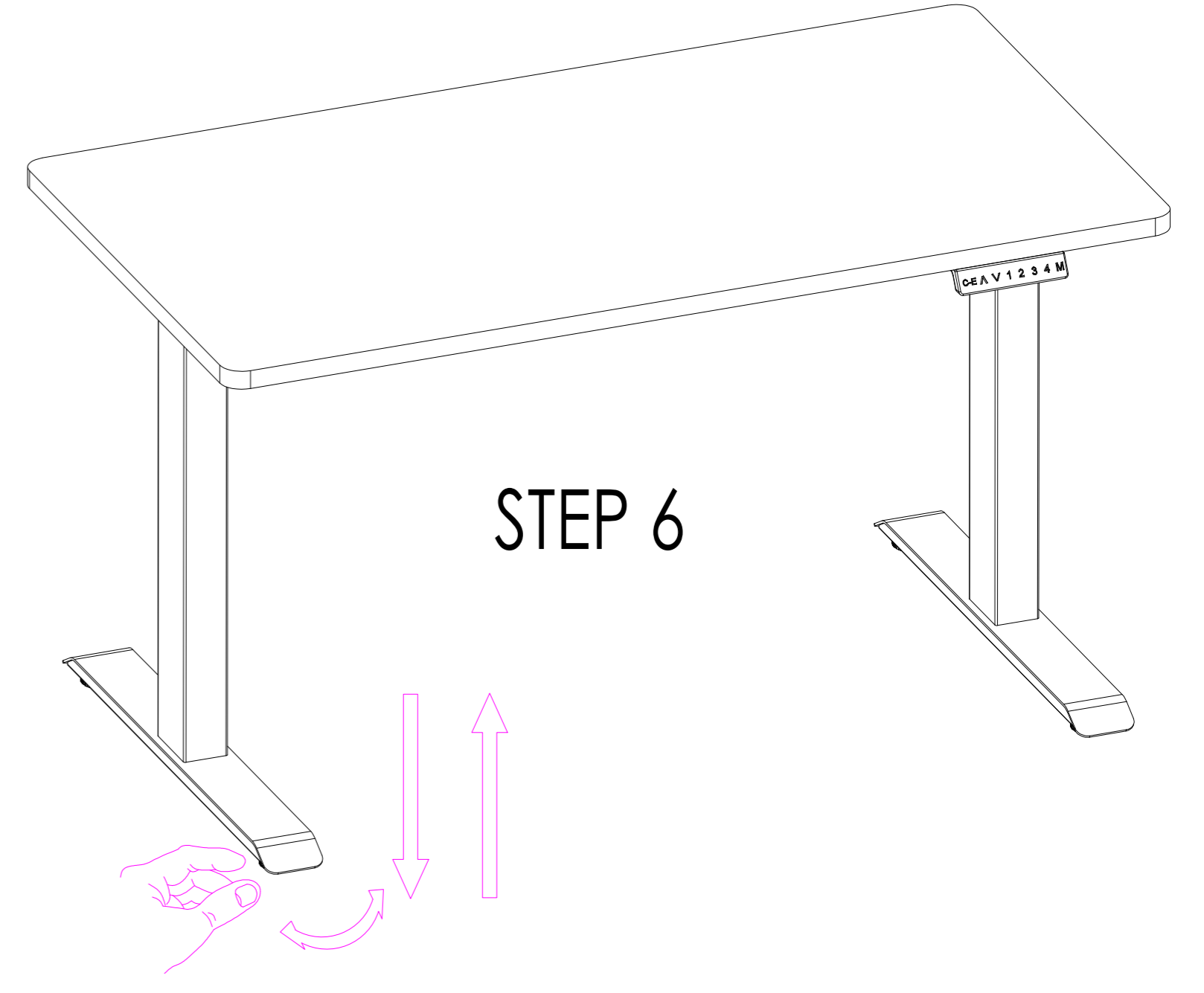
STEP 4



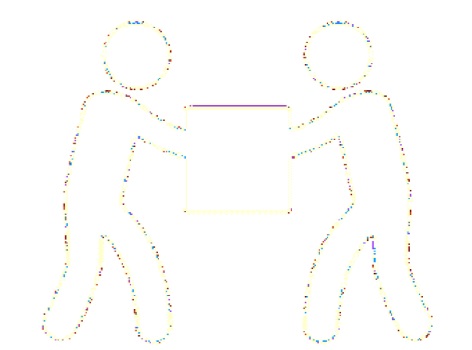
STEP 5



STEP 6

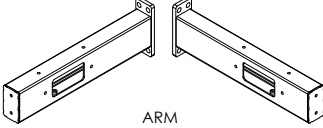
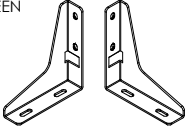
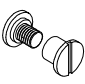
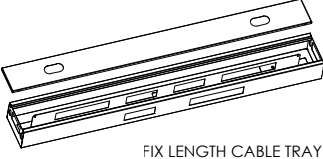





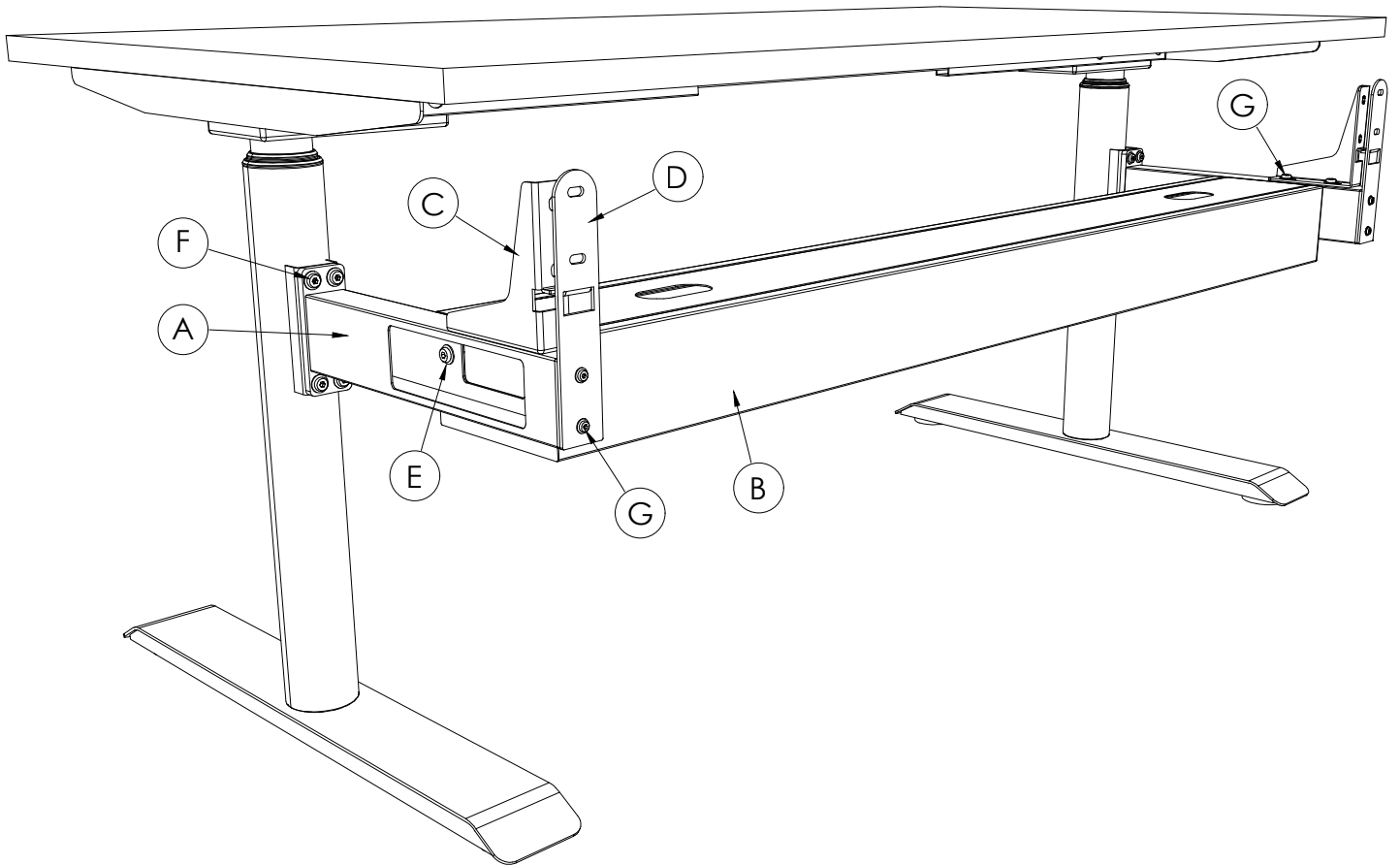
CAUTION:
HEAVY



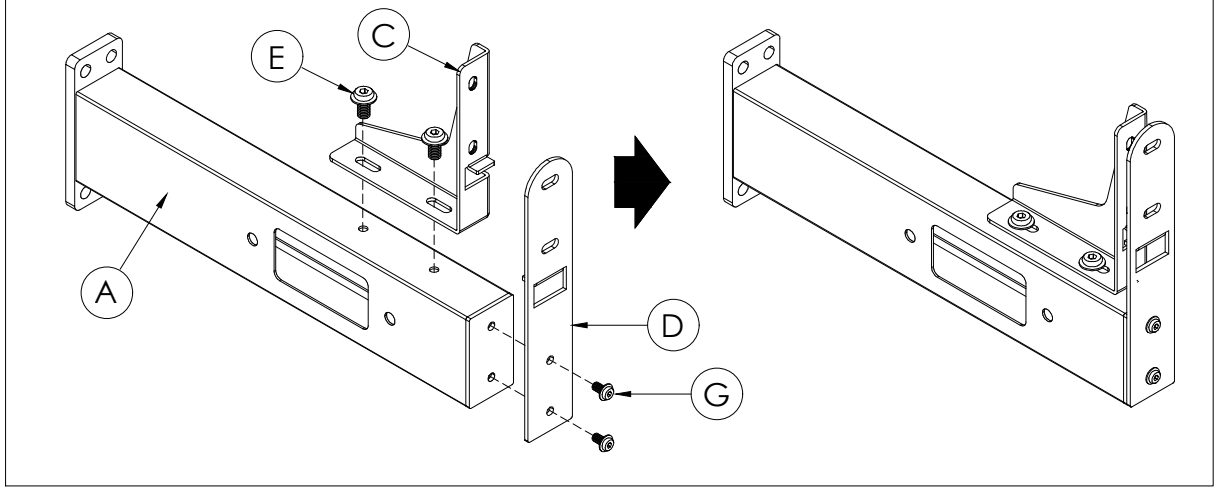
2 PERSON HEAVY
ASSEMBLY

PARTS LIST

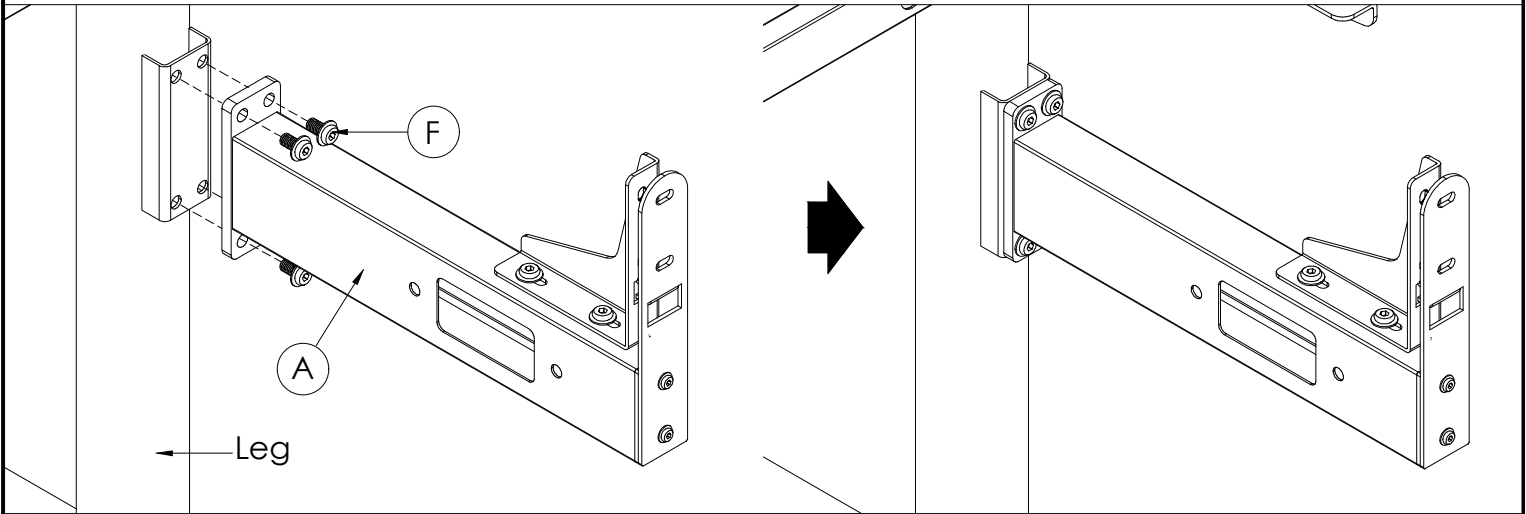
A	 <p>ARM</p>	x1	C	<p>90D SCREEN CLIP</p> 	x1	E	<p>M6 x 16mm</p> 	x4
B	 <p>FIX LENGTH CABLE TRAY</p>	x1	D	<p>REAR SCREEN CLIP</p> 	x1	F	<p>M8 x 16mm</p>  <p>BUTTON HEAD ALLEN BOLT</p>	x8
			G			<p>M6 x 16mm</p>  <p>BUTTON HEAD ALLEN BOLT</p>	x8	



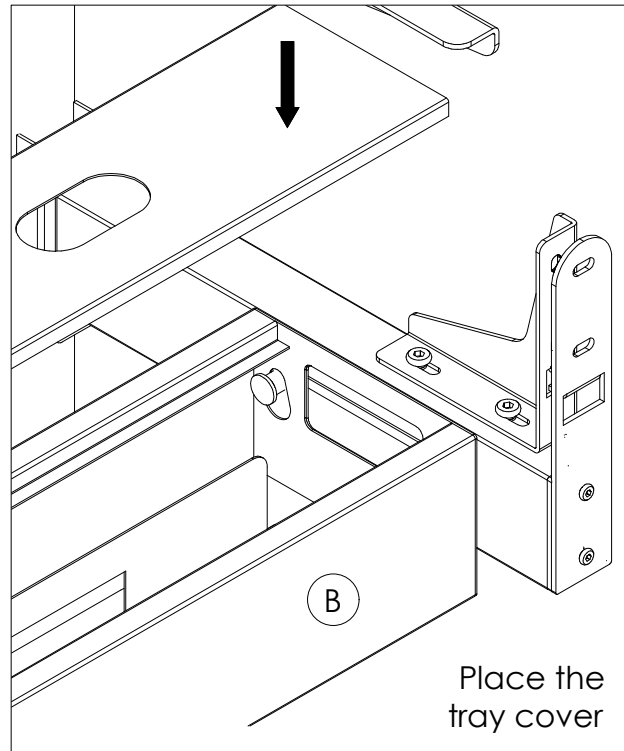
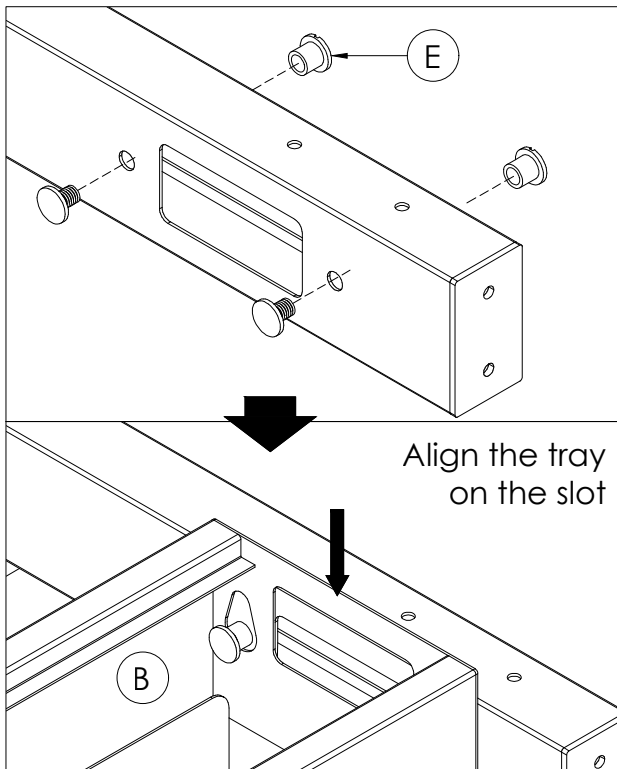
STEP 1



STEP 2

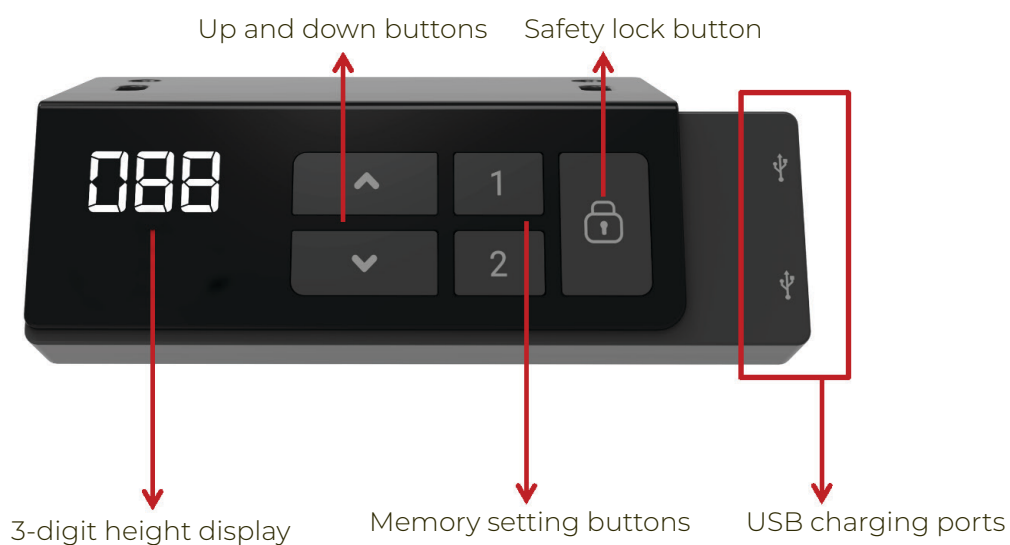


STEP 3



Height Adjustable

User Manual



1. System Initialization / Reset

When the installation of the desk frame is complete, the user must conduct a reset.

Simultaneously press **▲** and **▼** for 3 seconds. Continue pressing the buttons until both frame columns are in lowest position. When finished with the reset, the control box makes a beep sound and the buttons can be released.

When finished with the reset, the display will show starting height.



2. Adjusting the Height

Drive the desk to the desired height by pressing and holding **▲** or **▼** button. The 3-digit display will show the desk height.

3. Setting the Memorized Position

1. Adjust the desk to the desired height
2. Press the preferred memory button (1 or 2), with either **▲** or **▼** for 2 seconds. Once the display shows P1 or P2, the position is memorized.
3. Press and hold button 1 or 2 to move the desk to memorized position.



4. Setting the Height Limit




Setting the upper height limit:

1. Adjust the desk to the preferred upper height limit.
2. Press  and  buttons together less than 3 seconds, holding  and release  button.
3. Re press  for more than 3 times in a slow pace.
4. A beeping sound will notify you that the process has completed.

Disable the upper height limit:

1. Move the desk to the upper height limit that is being set.
2. Repeat the instruction #2-4 above to disable the upper limit setting.

Setting the lower height limit:

1. Adjust the desk to the preferred upper height limit.
2. Press  and  buttons together less than 3 seconds, holding  and release  button.
3. Re press  for more than 3 times in a slow pace.
4. A beeping sound will notify you that the process has completed.

Disable the lower height limit:

1. Move the desk to the upper height limit that is being set.
2. Repeat the instruction #2-4 above to disable the upper limit setting.



5. Lock and Unlock

Lock: Press the lock button for one second or do not touch any buttons for 20 seconds, then the below image will be shown on the display to indicate that the lock was completed successfully.

Unlock: Hold the lock " " button for 3 seconds to unlock the hand control.



6. Switching Metric and Imperial Unit

Press memory button **1**, **2** and **Lock** button for 5 seconds.

The digital display will show **C-I**. If there is no further instruction operated within 5 seconds, the system will go to the normal operation mode.



How to choose a metric unit

Press the button **1**, the digital display will show "**C**" to stand for centimeter.

How to choose an imperial unit

Press the button **2**, the digital display will show "**I**" to stand for inch.

Error Codes

The digital display shows the error codes below to suggest the issues that users may encounter during the operation.

Error Code	Descriptions
000	Resetting
E00	Not reset completely
E01	Overuse protection
E02	Unbalance protection
E03	Anti-collision
E04	T- touch Protection
E11	M1 Motor over current protection
E12	M2 Motor over current protection
E13	M3 Motor over current protection
E21	No Hall sensor from M1
E22	No Hall sensor from M2
E23	No Hall sensor from M3
E31	No current from M1
E32	No current from M2
E33	No current from M3