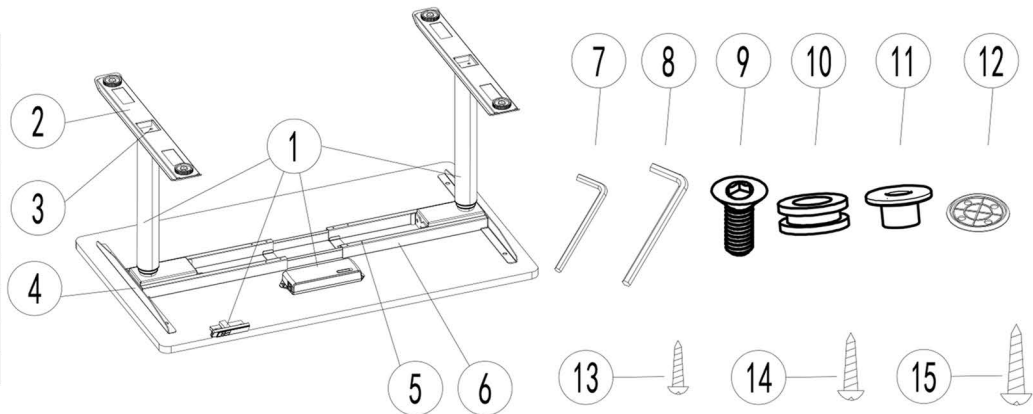


# Adjustable Height Round Leg - Straight

EDR-S

Parts and Tools list

NO.	Name	Qty	NO.	Name	Qty
1	Lifting System	1set	11	Plastic Pad	6
2	Feet	2	12	Plastic Mat	2
3	M8*16 Screw	8	13	ST3.5*19 Screw	2
4	Bracket	2	14	ST4.8*19 Screw	2
5	M6*10 Screw	8	15	ST4.8*25 Screw	6
6	Support Beam	1			
7	4mm Hex Spanner	1			
8	5mm Hex Spanner	1			
9	M6*12 Screw	12			
10	Rubber Cushion	6			



**1** Loosen the M6\*10 screw on the beam with 4mm hexagon wrench, then adjust the length of the beam according to the tops, and finally fix the beam with the M6\*10 screw in the screw package and the screw on the beam.

4mm Hex Spanner

**2** Attach legs to the beam using 8 of M6\*12 screws.

4mm Hex Spanner

M6\*12 screw 8PCS

**3** Attach feet to the legs using 8 of M8\*16 screws.

5mm Hex Spanner

M8\*16 screw 8PCS

**4** Overturn frame and attach brackets to beam using 4 of M6\*12 screws, and then fit the rubber cushion and plastic pad to the brackets and beam.

4mm Hex Spanner

M6\*12 screw 4PCS

Rubber Cushion 6PCS Plastic Pad 6PCS

**5** Fix table top to the frame with 6 of ST4.8\*25 screws, then fix the control box to below table top with 2 of ST4.8\*19 screws, at last fix the handset to below table top with 2 of ST3.5\*19 screws.

ST4.8\*25 screw 2PCS

ST4.8\*19 screw 2PCS

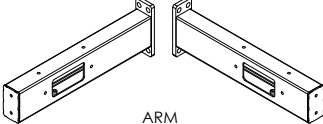
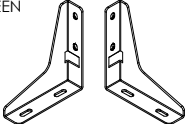
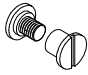
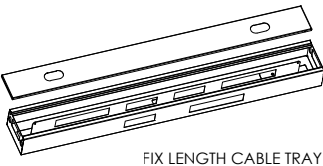

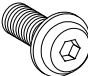

ST3.5\*19 screw 2PCS

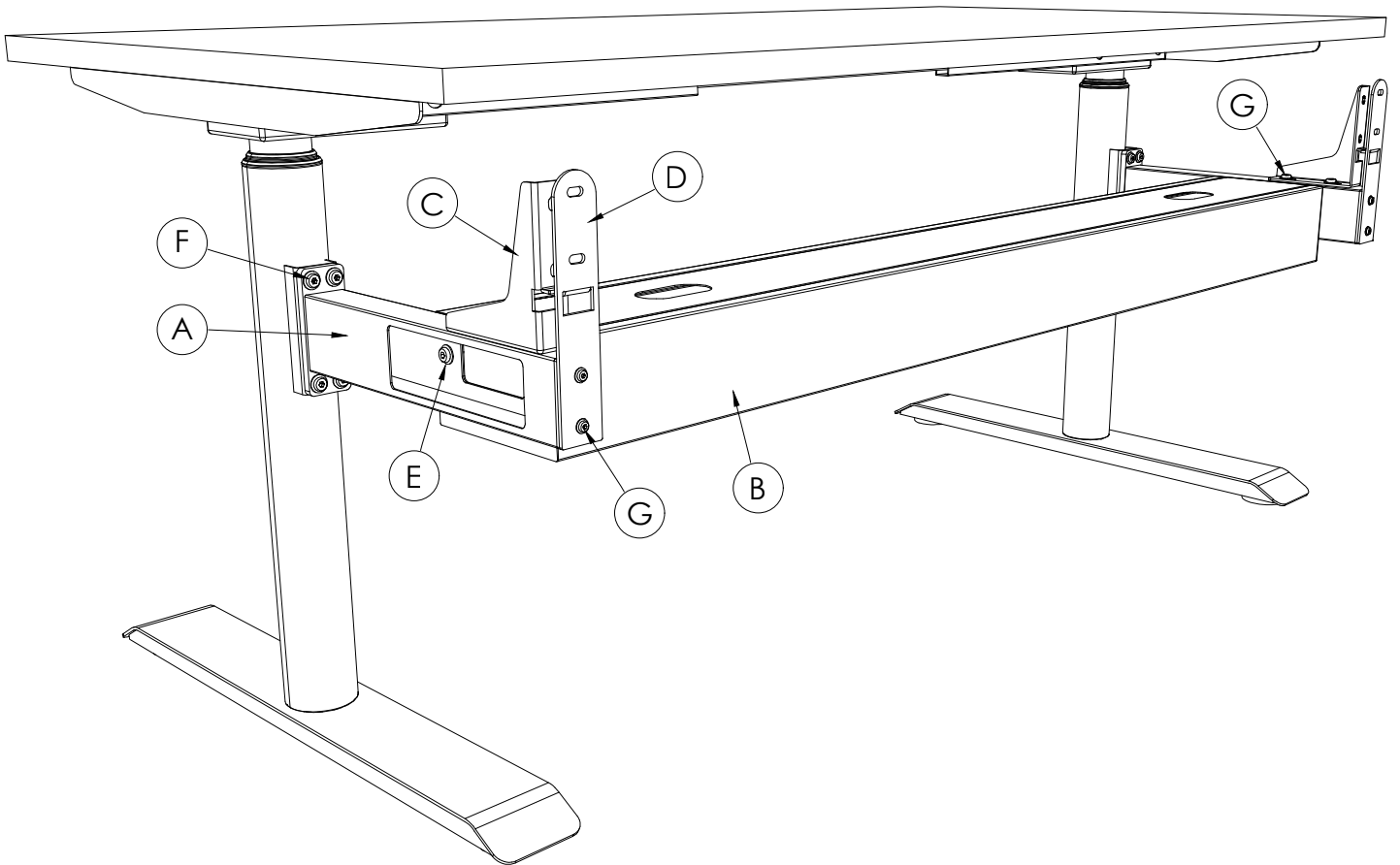
**6** Connect the control box to the handset and to the motor.

**6** Connect the control box to the handset and to the motor.

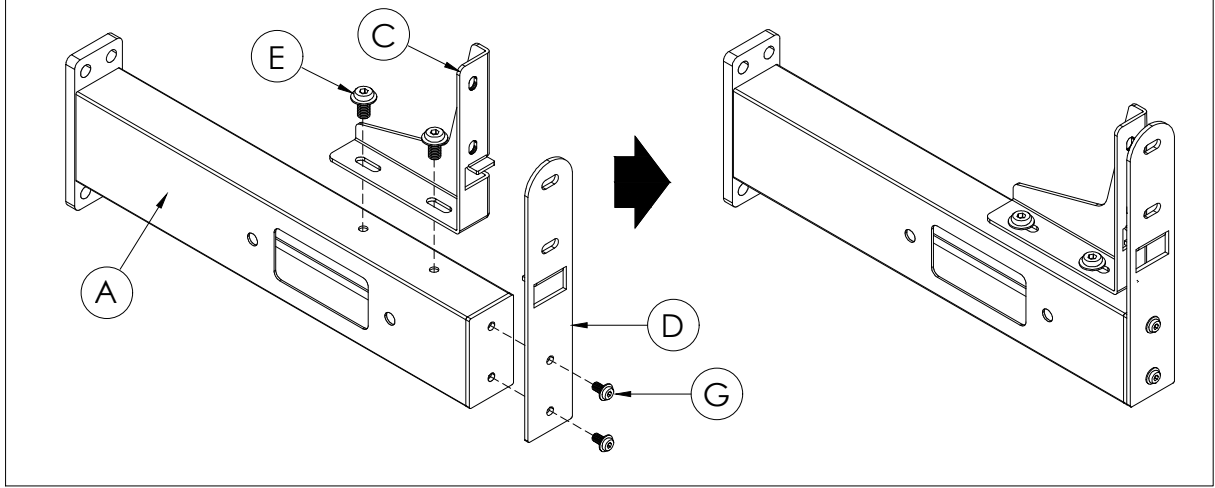
**6** Connect the control box to the handset and to the motor.

# PARTS LIST

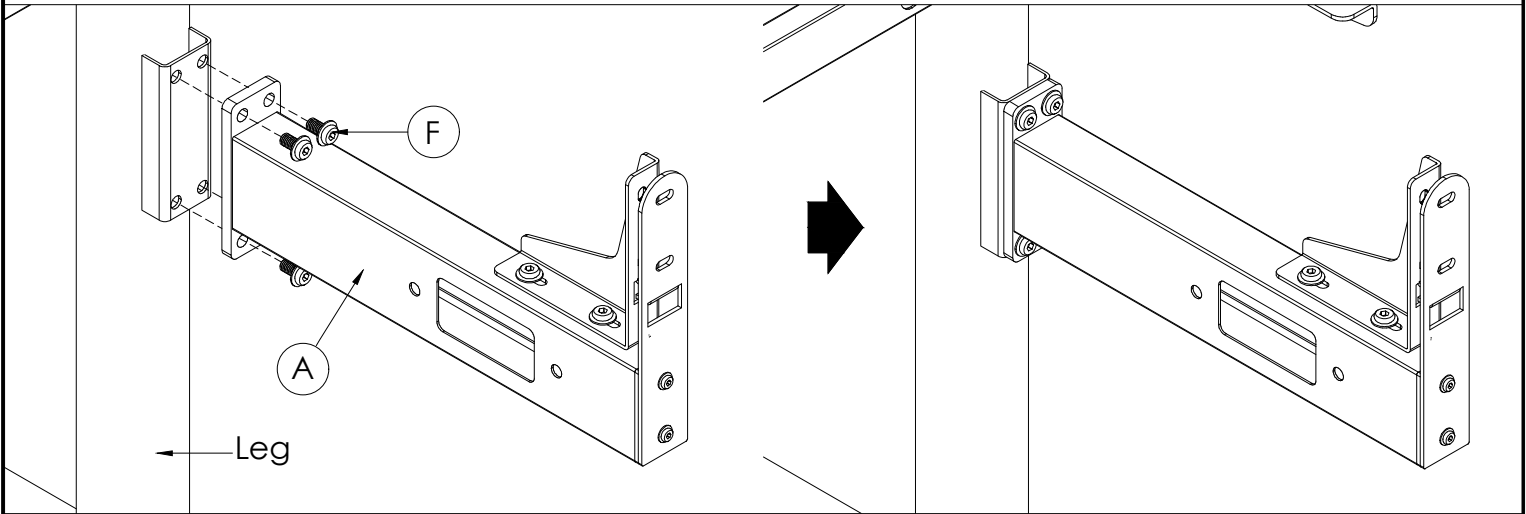
A	 <p>ARM</p>	x1	C	 <p>90D SCREEN CLIP</p>	x1	E	 <p>M6 x 16mm</p>	x4
B	 <p>FIX LENGTH CABLE TRAY</p>	x1	D	 <p>REAR SCREEN CLIP</p>	x1	F	 <p>M8 x 16mm</p>	x8
			G			 <p>M6 x 16mm</p>	x8	



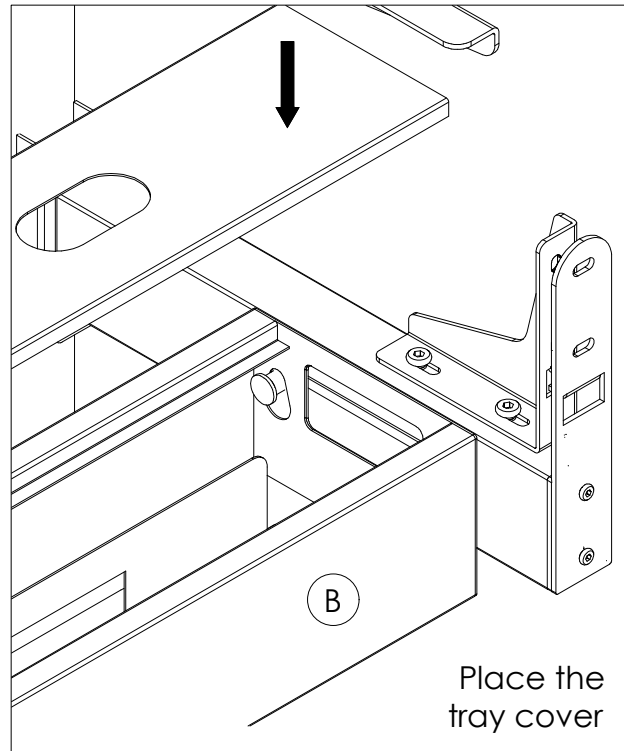
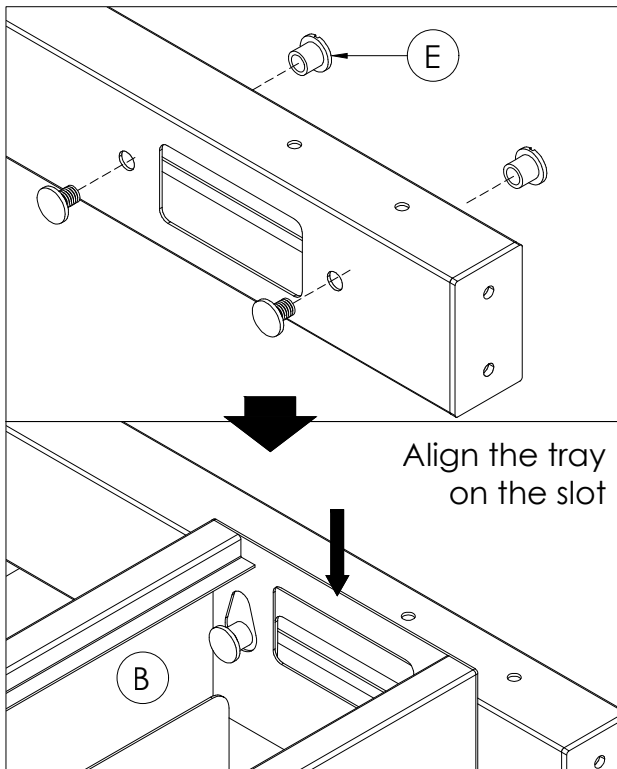
# STEP 1



# STEP 2

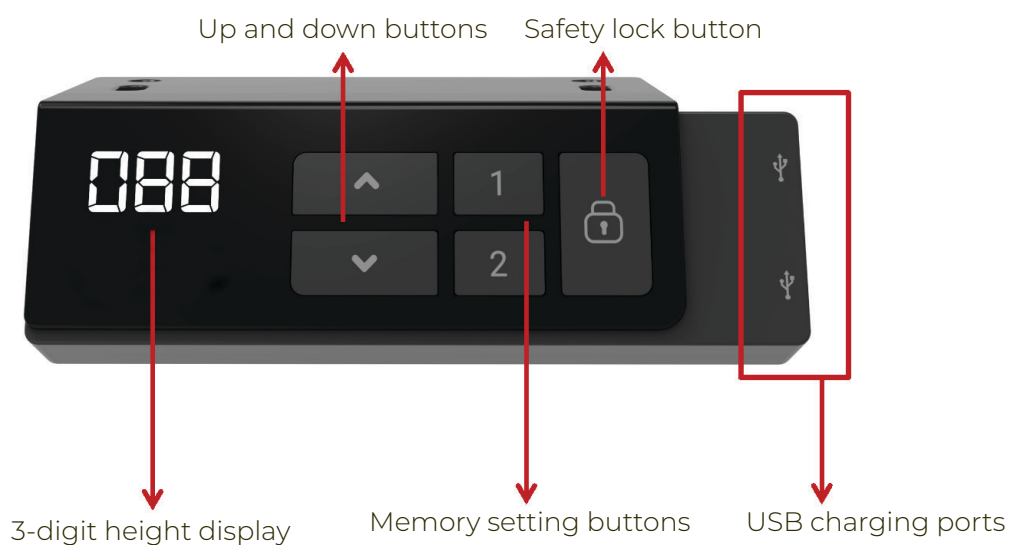


# STEP 3



# Height Adjustable

## User Manual



# 1. System Initialization / Reset

When the installation of the desk frame is complete, the user must conduct a reset.

Simultaneously press **▲** and **▼** for 3 seconds. Continue pressing the buttons until both frame columns are in lowest position. When finished with the reset, the control box makes a beep sound and the buttons can be released.

When finished with the reset, the display will show starting height.



# 2. Adjusting the Height

Drive the desk to the desired height by pressing and holding **▲** or **▼** button. The 3-digit display will show the desk height.

# 3. Setting the Memorized Position

1. Adjust the desk to the desired height
2. Press the preferred memory button (1 or 2), with either **▲** or **▼** for 2 seconds. Once the display shows P1 or P2, the position is memorized.
3. Press and hold button 1 or 2 to move the desk to memorized position.



## 4. Setting the Height Limit





### Setting the upper height limit:

1. Adjust the desk to the preferred upper height limit.
2. Press  and  buttons together less than 3 seconds, holding  and release  button.
3. Re press  for more than 3 times in a slow pace.
4. A beeping sound will notify you that the process has completed.

### Disable the upper height limit:

1. Move the desk to the upper height limit that is being set.
2. Repeat the instruction #2-4 above to disable the upper limit setting.

### Setting the lower height limit:

1. Adjust the desk to the preferred upper height limit.
2. Press  and  buttons together less than 3 seconds, holding  and release  button.
3. Re press  for more than 3 times in a slow pace.
4. A beeping sound will notify you that the process has completed.

### Disable the lower height limit:

1. Move the desk to the upper height limit that is being set.
2. Repeat the instruction #2-4 above to disable the upper limit setting.



## 5. Lock and Unlock

**Lock:** Press the lock button for one second or do not touch any buttons for 20 seconds, then the below image will be shown on the display to indicate that the lock was completed successfully.

**Unlock:** Hold the lock " " button for 3 seconds to unlock the hand control.



## 6. Switching Metric and Imperial Unit

Press memory button **1**, **2** and **Lock** button for 5 seconds. The digital display will show **C-I**. If there is no further instruction operated within 5 seconds, the system will go to the normal operation mode.



### How to choose a metric unit

Press the button **1**, the digital display will show "**C**" to stand for centimeter.

### How to choose an imperial unit

Press the button **2**, the digital display will show "**I**" to stand for inch.

## Error Codes

The digital display shows the error codes below to suggest the issues that users may encounter during the operation.

<b>Error Code</b>	<b>Descriptions</b>
000	Resetting
E00	Not reset completely
E01	Overuse protection
E02	Unbalance protection
E03	Anti-collision
E04	T- touch Protection
E11	M1 Motor over current protection
E12	M2 Motor over current protection
E13	M3 Motor over current protection
E21	No Hall sensor from M1
E22	No Hall sensor from M2
E23	No Hall sensor from M3
E31	No current from M1
E32	No current from M2
E33	No current from M3