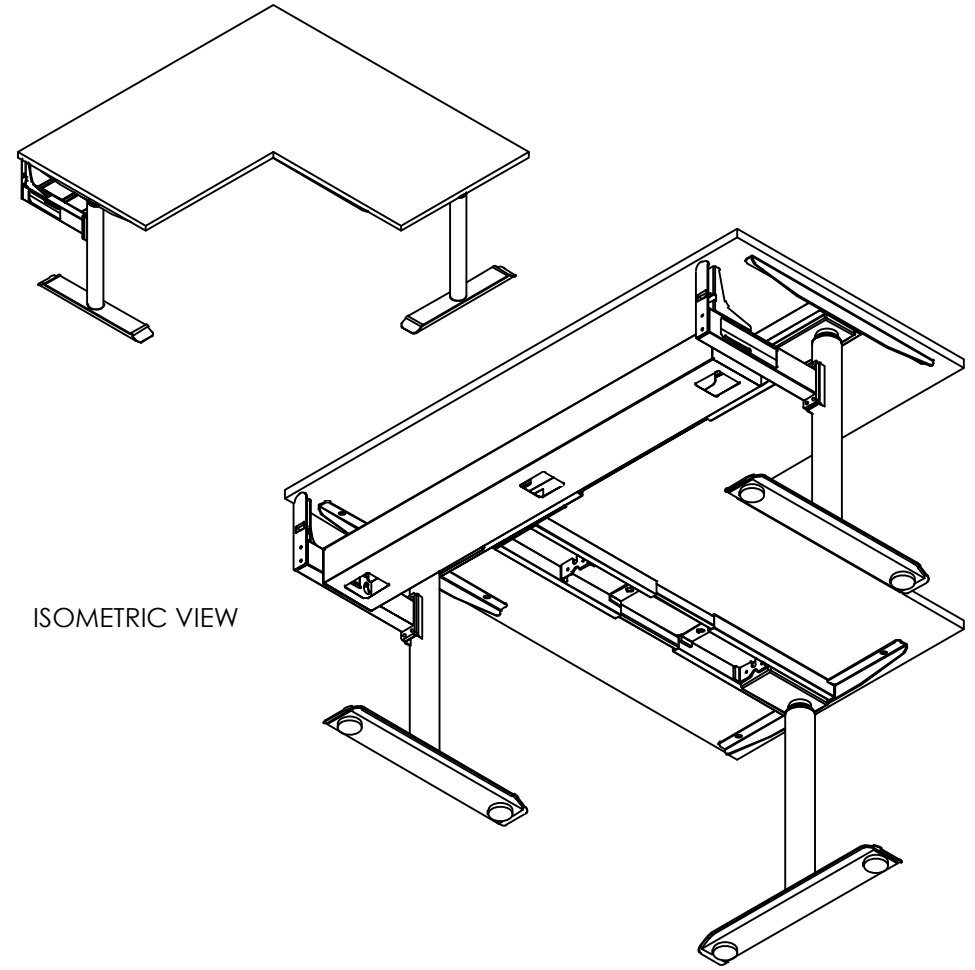
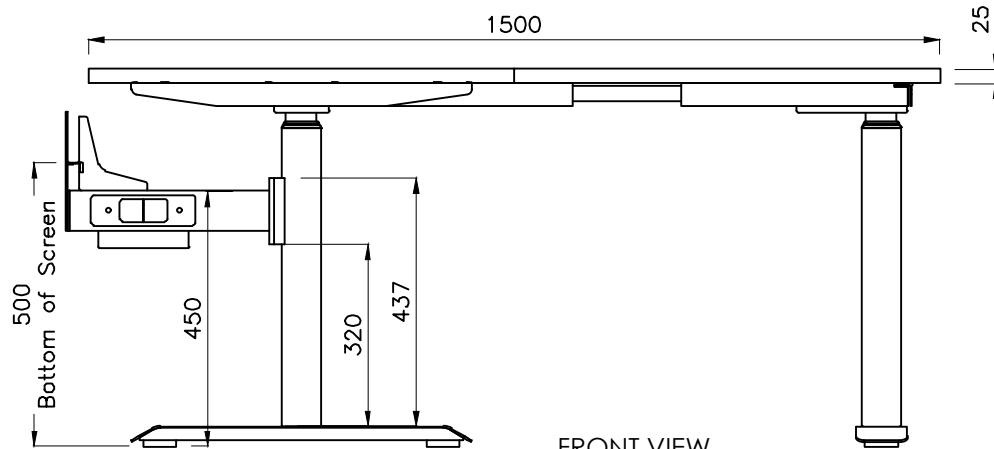


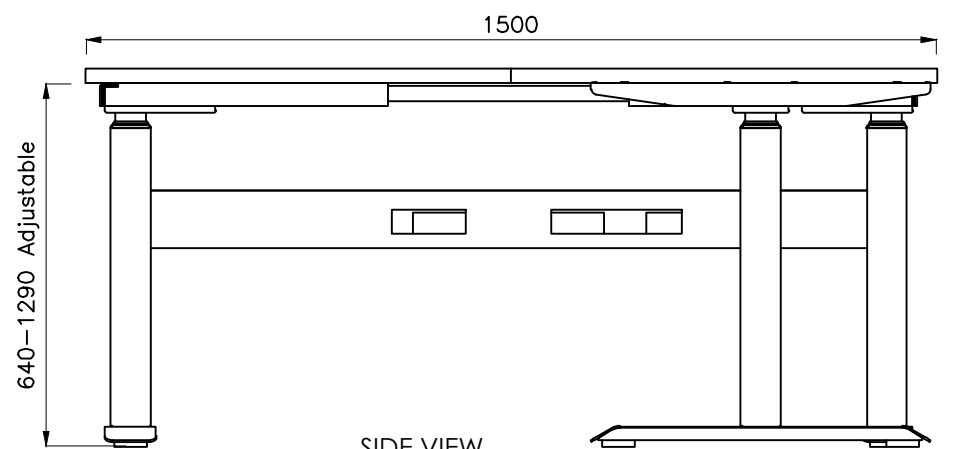
TOP VIEW



ISOMETRIC VIEW



FRONT VIEW



SIDE VIEW

PRODUCT CODE:
EDR-WS-157-Round leg

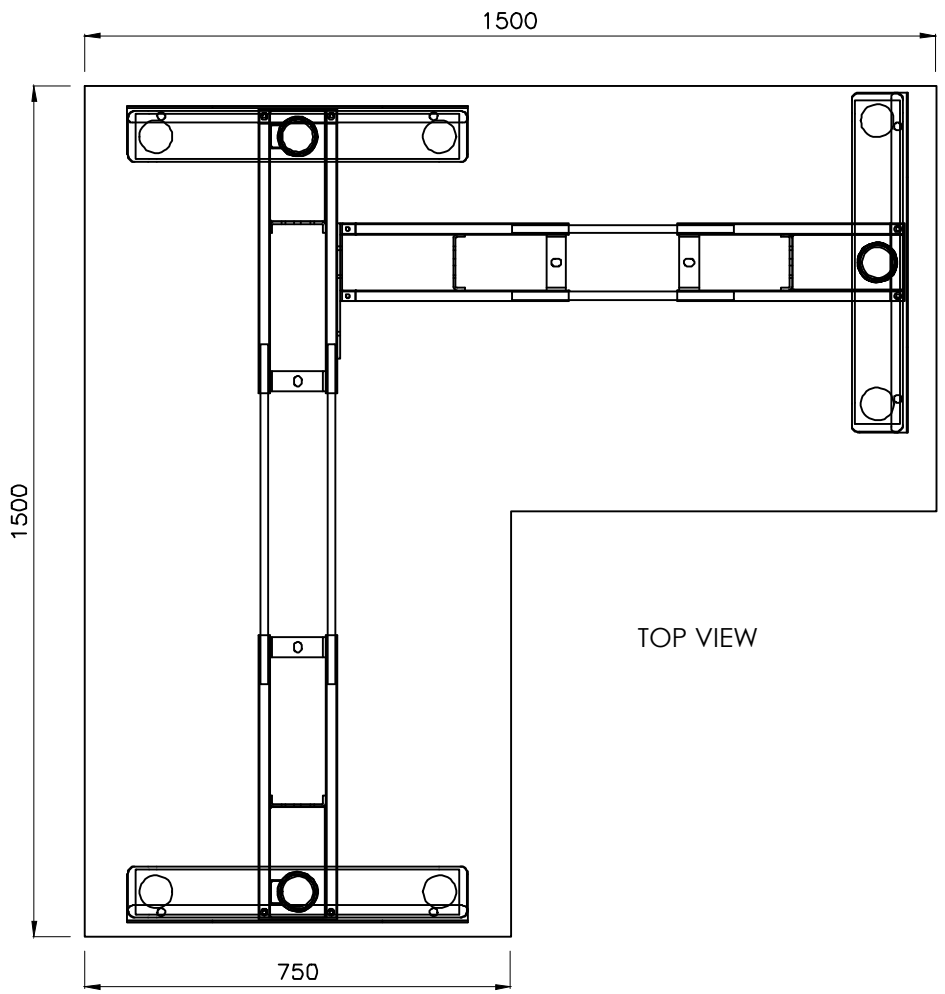
ASSEMBLED SIZE:
1500L X 750W

REMARKS:
with Cable tray

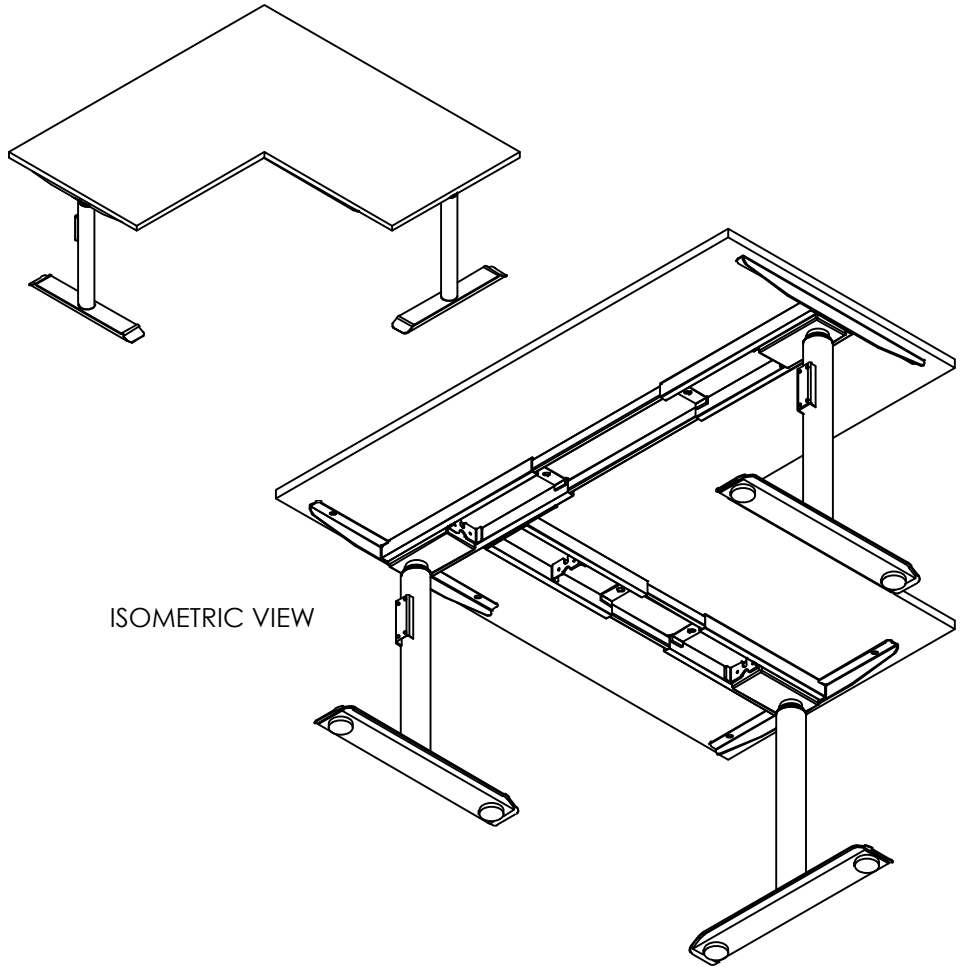
PRODUCT CODE:
EDR-WS-157-Round Leg

ASSEMBLED SIZE:
1500L X 750W

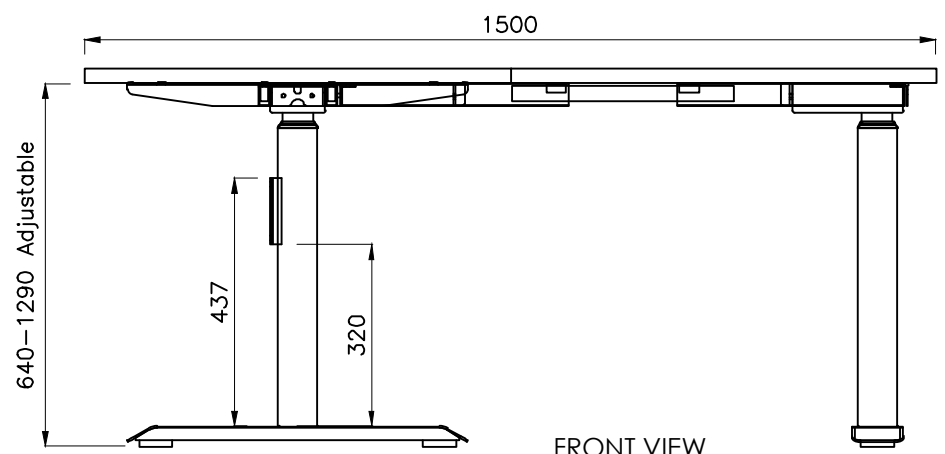
REMARKS:
w/o Cable tray



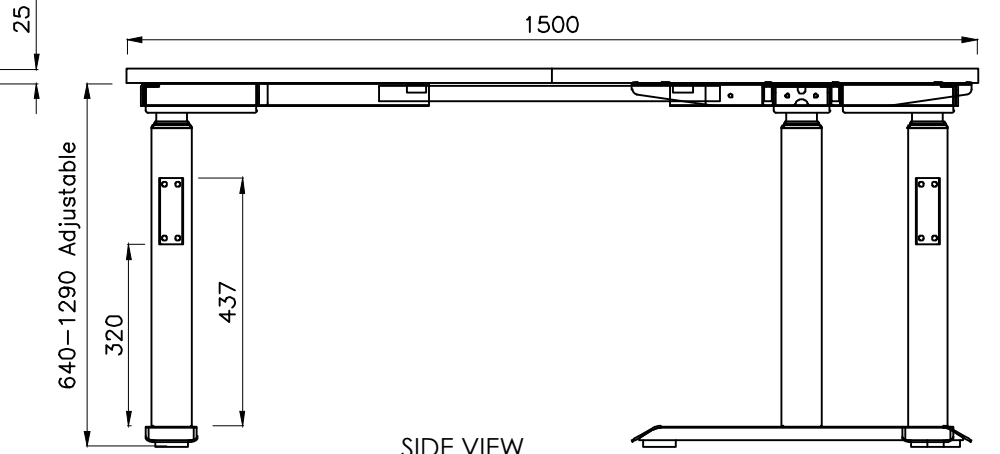
TOP VIEW



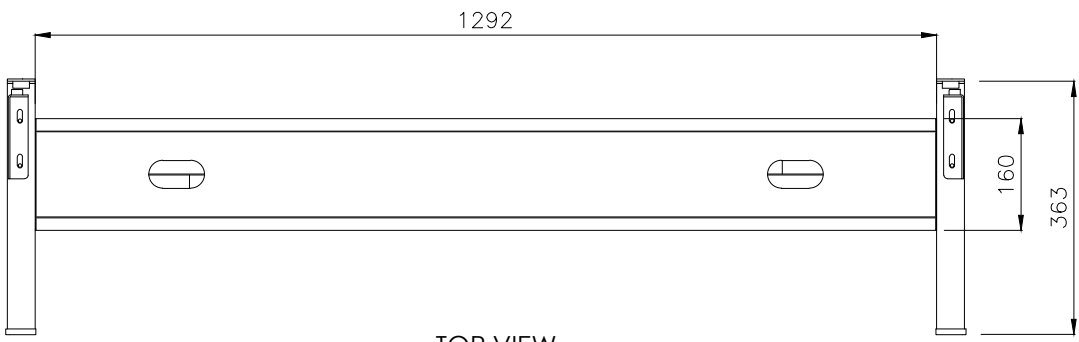
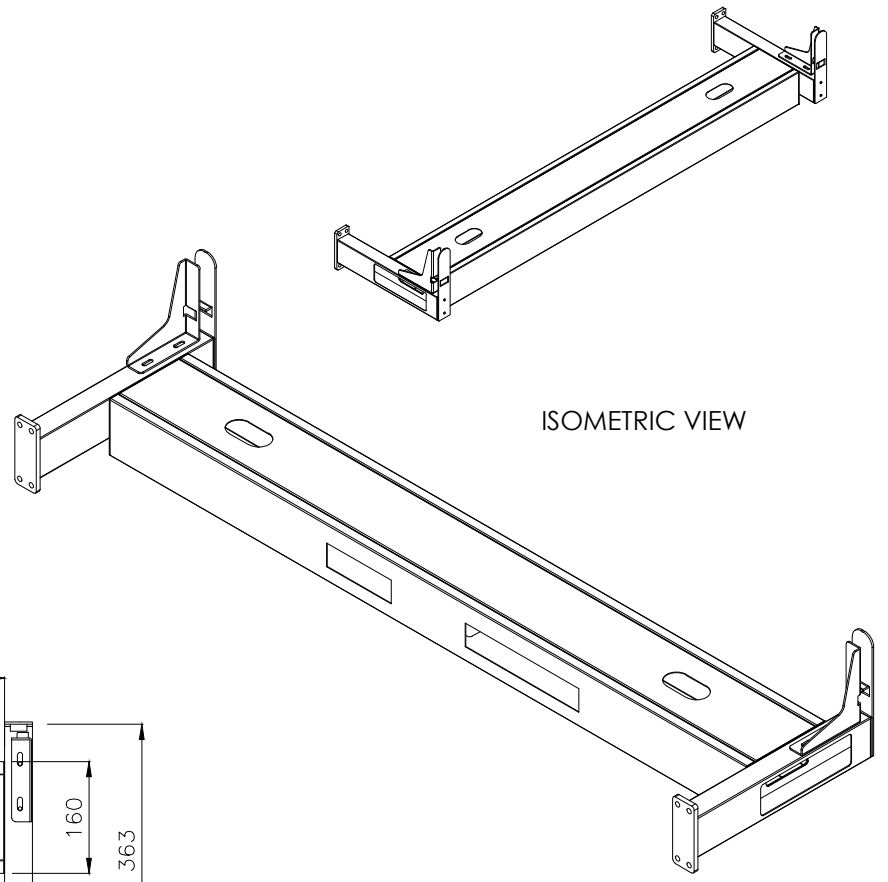
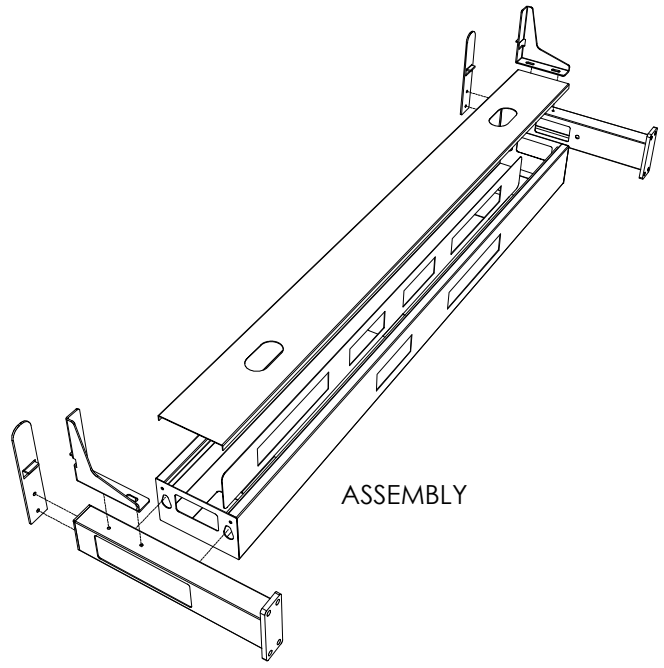
ISOMETRIC VIEW



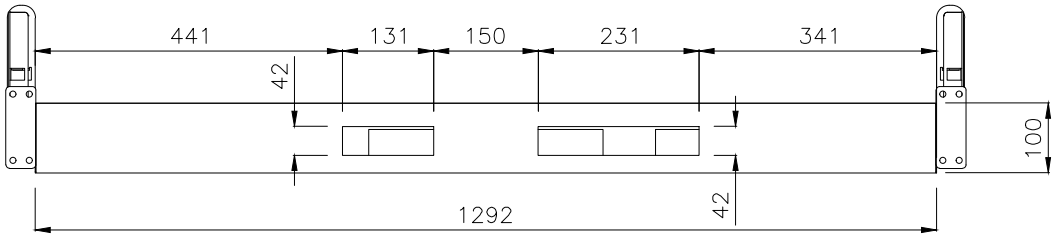
FRONT VIEW



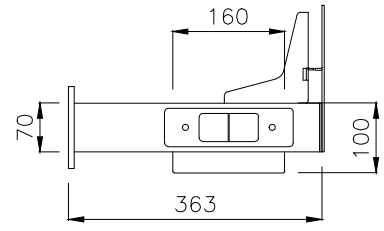
SIDE VIEW



TOP VIEW



FRONT VIEW



SIDE VIEW

PRODUCT CODE:
EDR-ARM+TRAY

ASSEMBLED SIZE:
-

REMARKS:
-