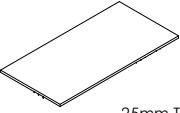
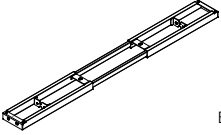
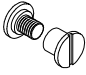
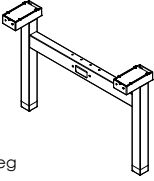
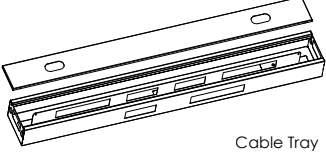
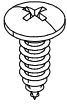
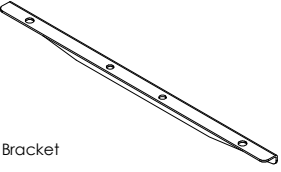
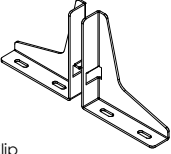

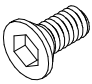



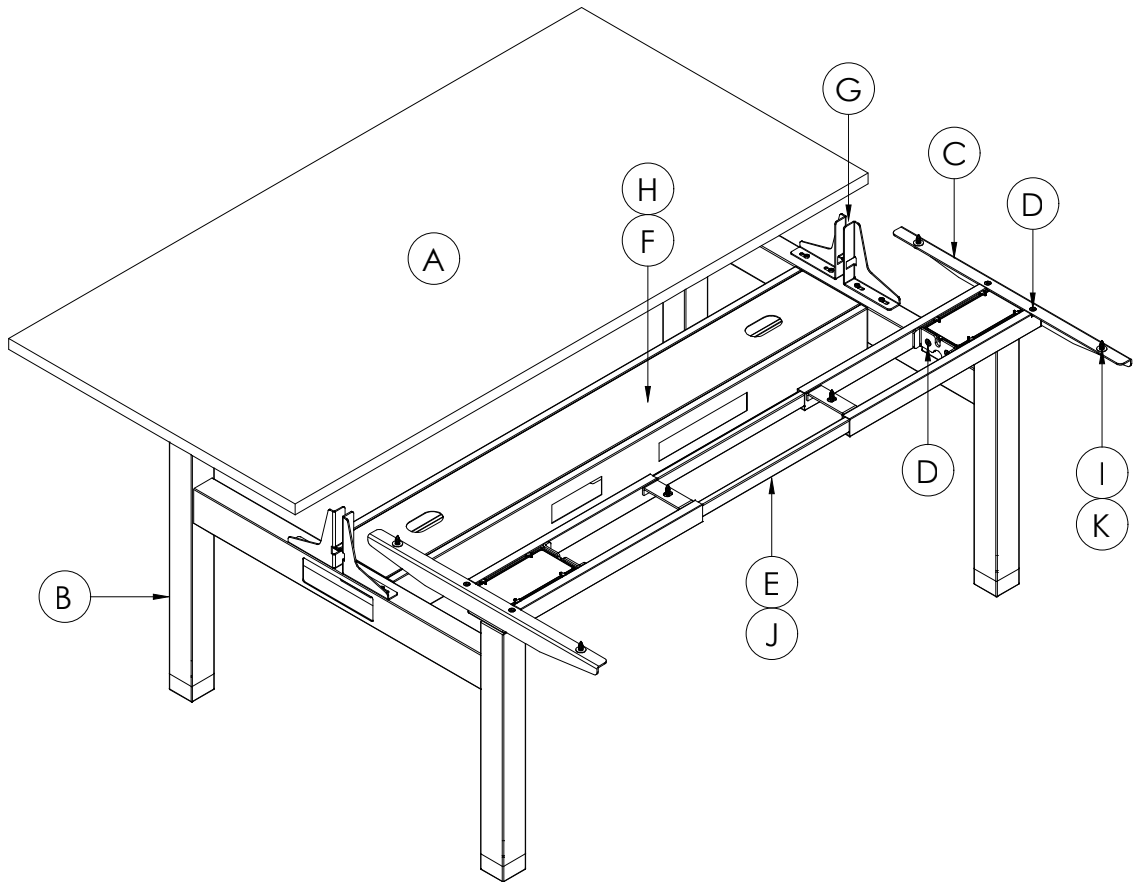


PARTS LIST

A	 25mm Table Top	x2	E	 Beam	x2	H	M6 x 16mm 	x4
B	 Left / Right leg	x2	F	 Cable Tray	x1	I	ST4.8 x 25mm  Wood Screw	x12
C	 Bracket	x4	G	 Screen Clip	x2	J	M6 x 16mm  Button Head Allen Screw	x8
D	M6 x 12mm  Countersunk Hex Head screw	x16	L	M6 x 10mm  Button Head Allen Screw	x16	K	Rubber Cushion  Plastic Pad 	x8



Office FURNITURE
Brisbane

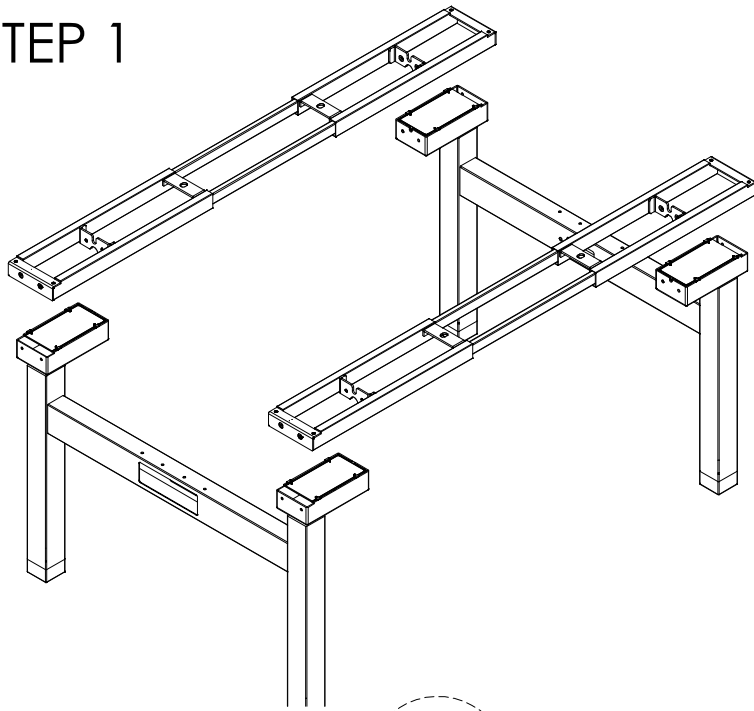
PRODUCT CODE:
EDE-B2B

ASSEMBLED SIZE:
1500L x 750D x ADJH

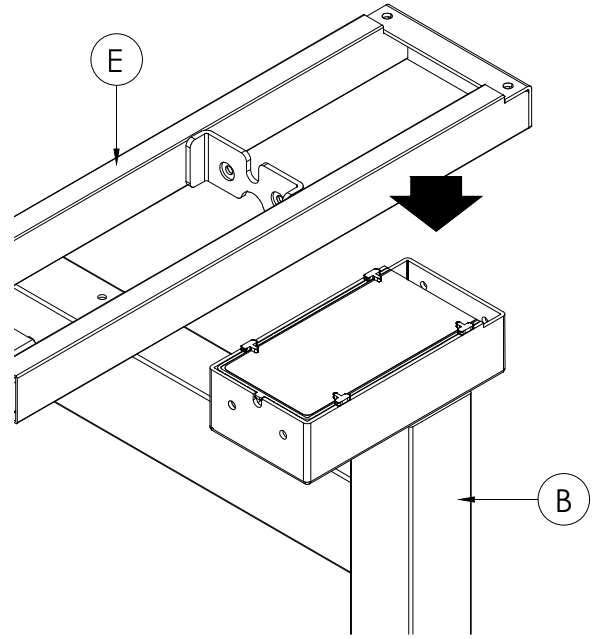
REMARKS:
Assembly Instructions (1 of 4)

Office FURNITURE
Brisbane

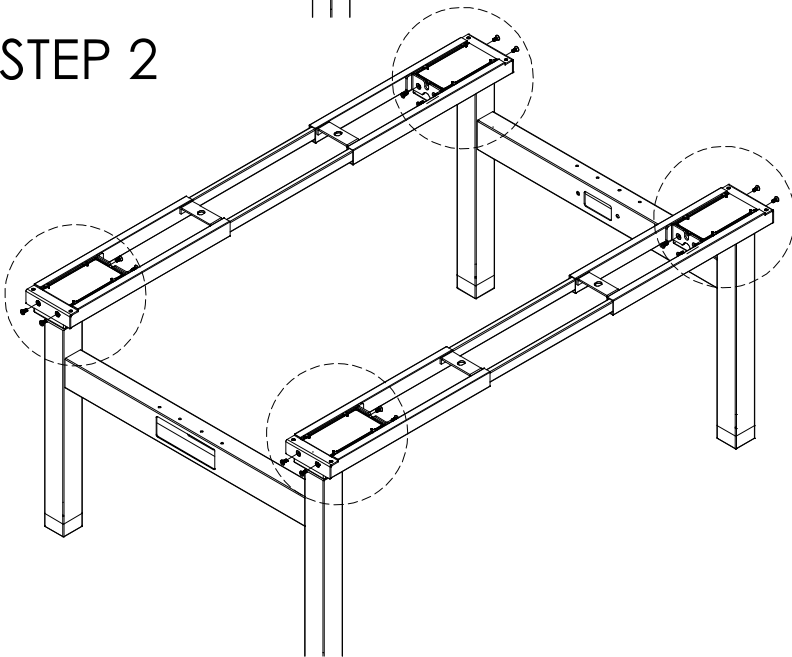
STEP 1



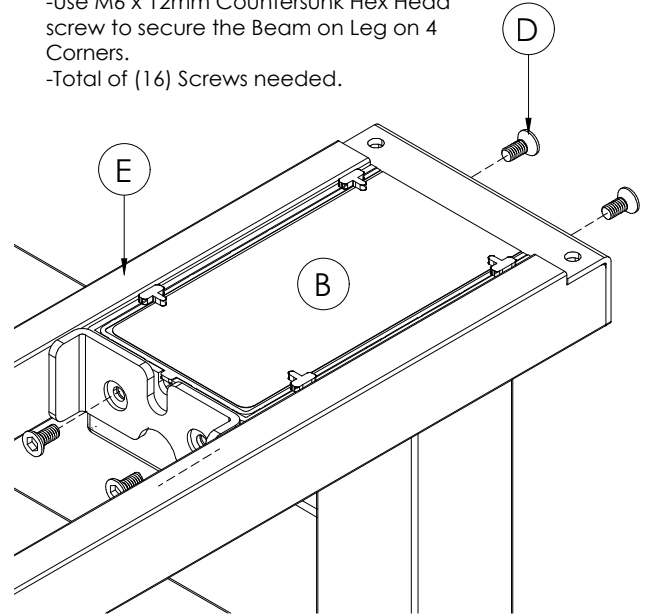
Align and Insert the Beam on the Leg



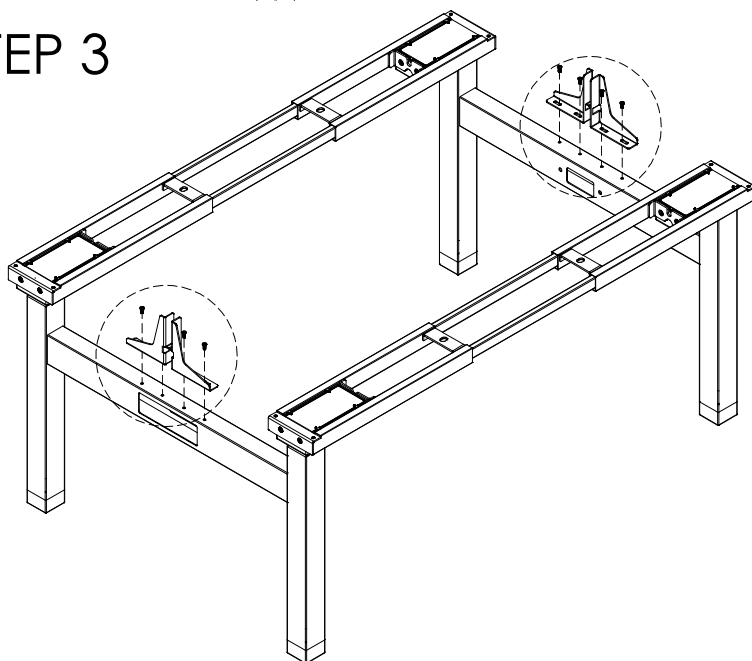
STEP 2



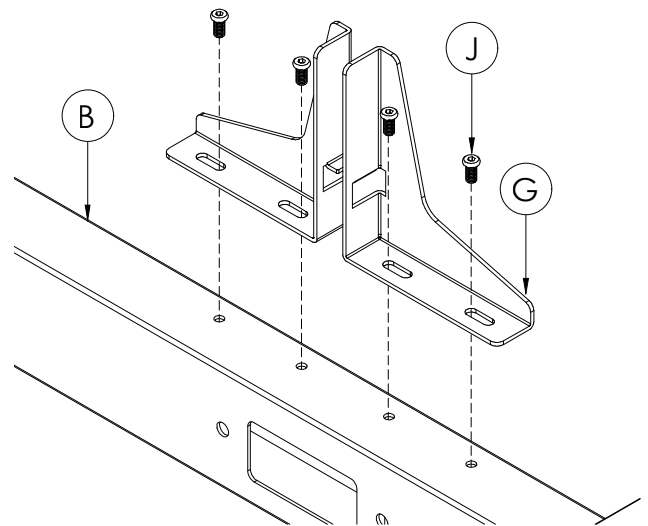
-Use M6 x 12mm Countersunk Hex Head screw to secure the Beam on Leg on 4 Corners.
-Total of (16) Screws needed.



STEP 3



-Placed the Screen Clip on the top of the Mid Part of the Leg and Secure with M6 x 16mm Button Head Allen Screw on Both ends.
-Total of (8) Screws needed.



Office FURNITURE
Brisbane

PRODUCT CODE:

EDE-B2B

REMARKS:

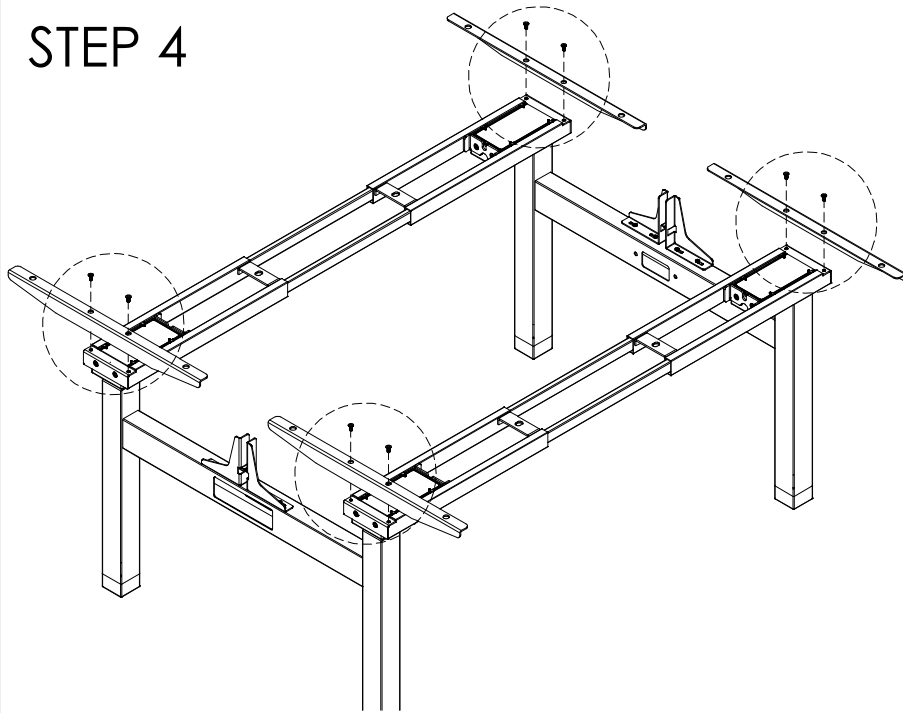
Assembly Instructions (2of4)

ASSEMBLED SIZE:

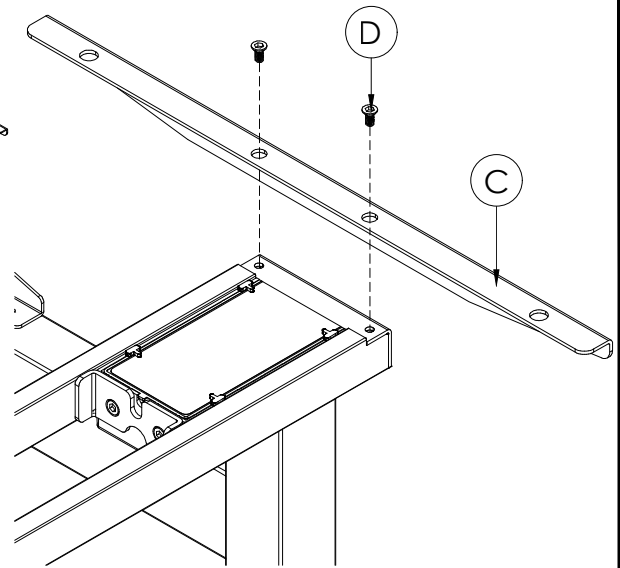
1500L x 750D x ADJH

Office FURNITURE
Brisbane

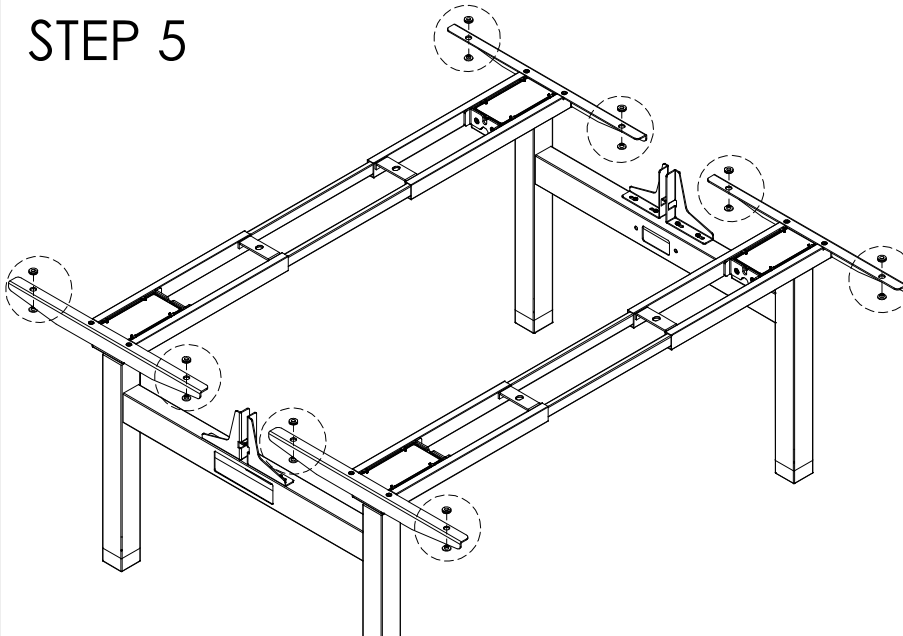
STEP 4



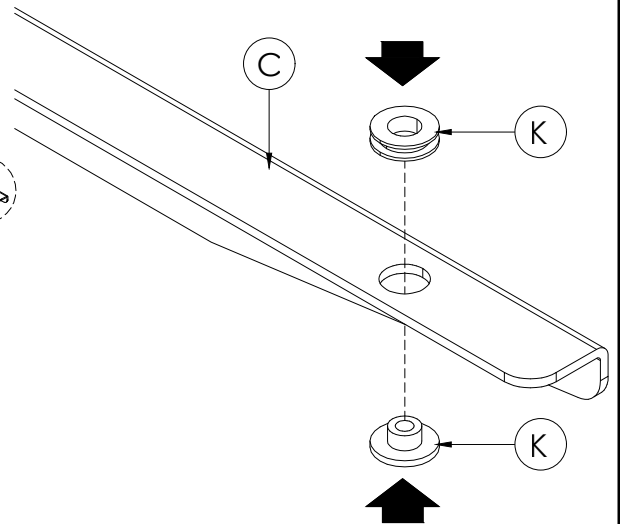
-Placed the Brackets on the top of the Beam as Shown, Then Secure in place with a M16 x12mm Countersunk Hex Head Screw on (4) corners.
-Total of (8) Screw needed.



STEP 5

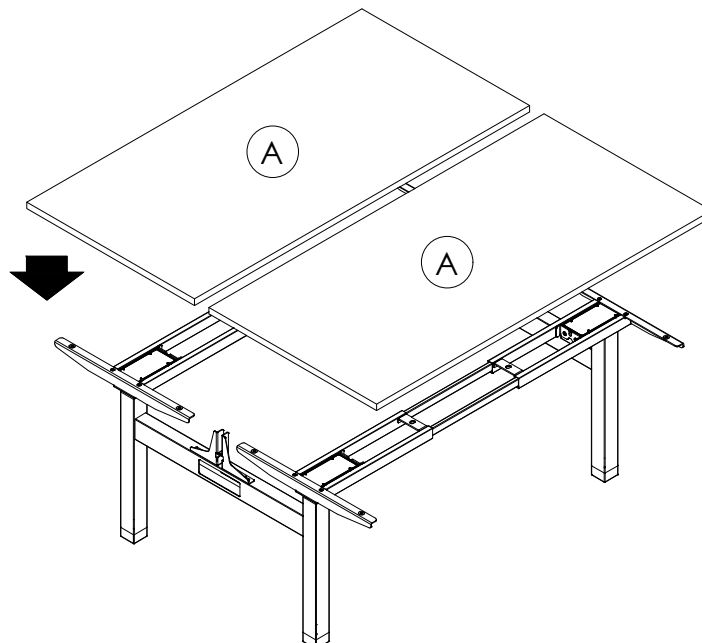


-Placed the Rubber Cushion on top along with the Plastic Pad underneath, on (4) Brackets.
-Total of (8) Set needed.



STEP 6

-Align the Frame with the Table Top holes underneath
-Total of (2) Top needed.



Office FURNITURE
Brisbane

PRODUCT CODE:

EDE-B2B

REMARKS:

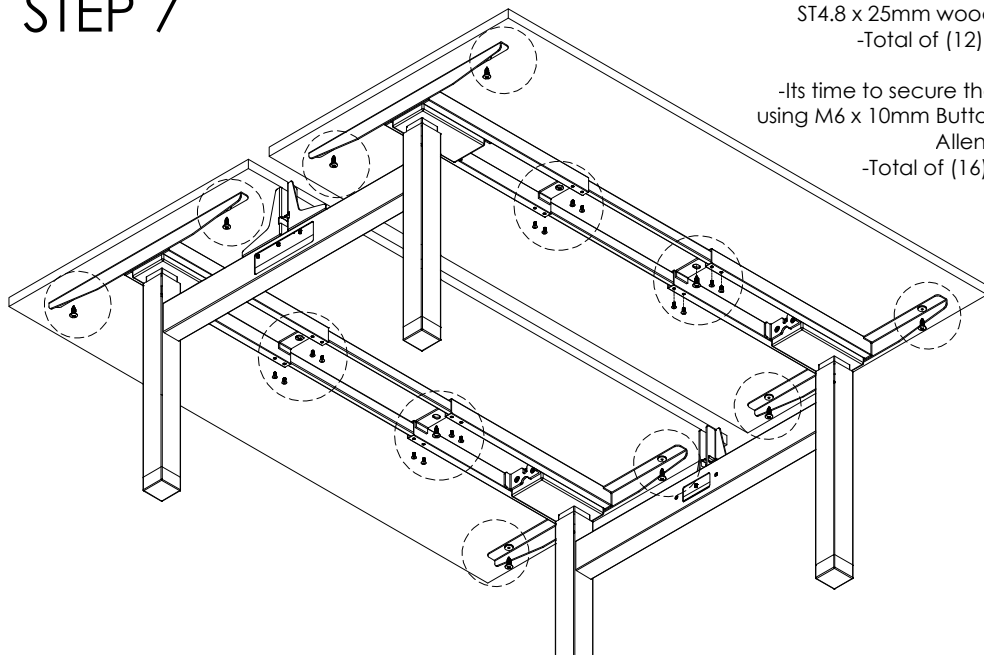
Assembly Instructions (3of4)

ASSEMBLED SIZE:

1500L x 750D x ADJH

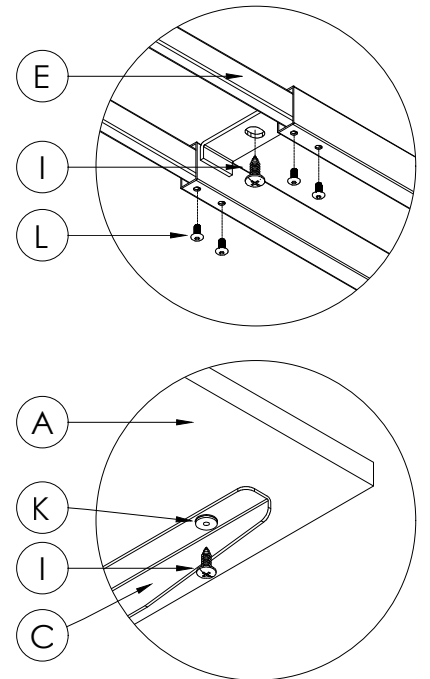
Office FURNITURE
Brisbane

STEP 7

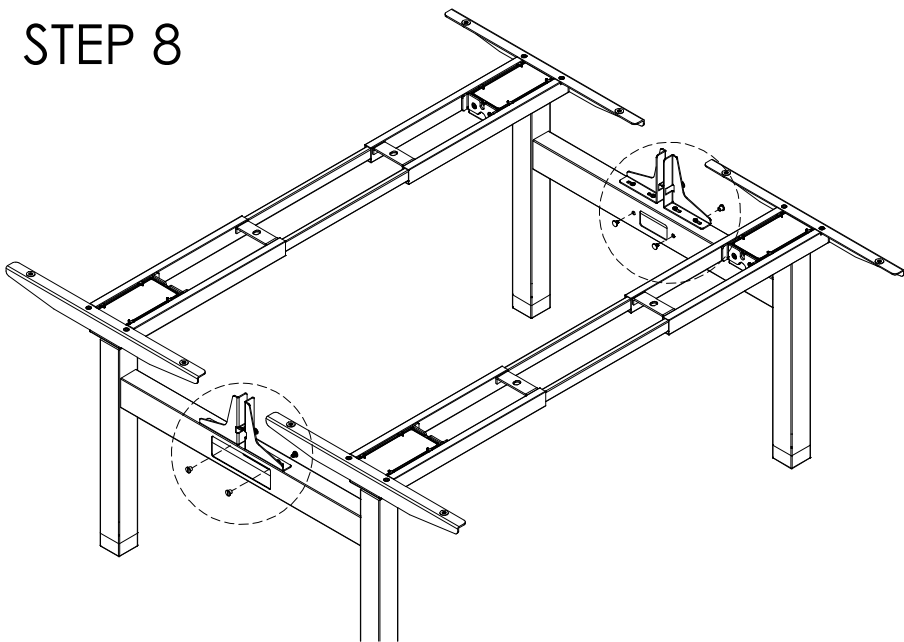


-Secure the Table Tops with ST4.8 x 25mm wood screw
-Total of (12) screws.

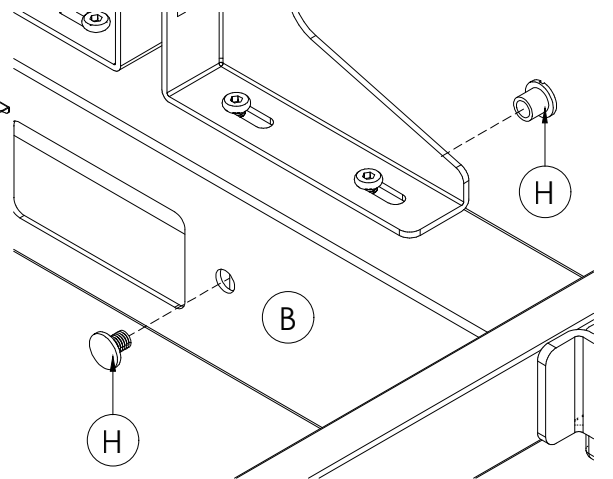
-Its time to secure the Beam using M6 x 10mm Button head Allen Screws
-Total of (16) screws



STEP 8

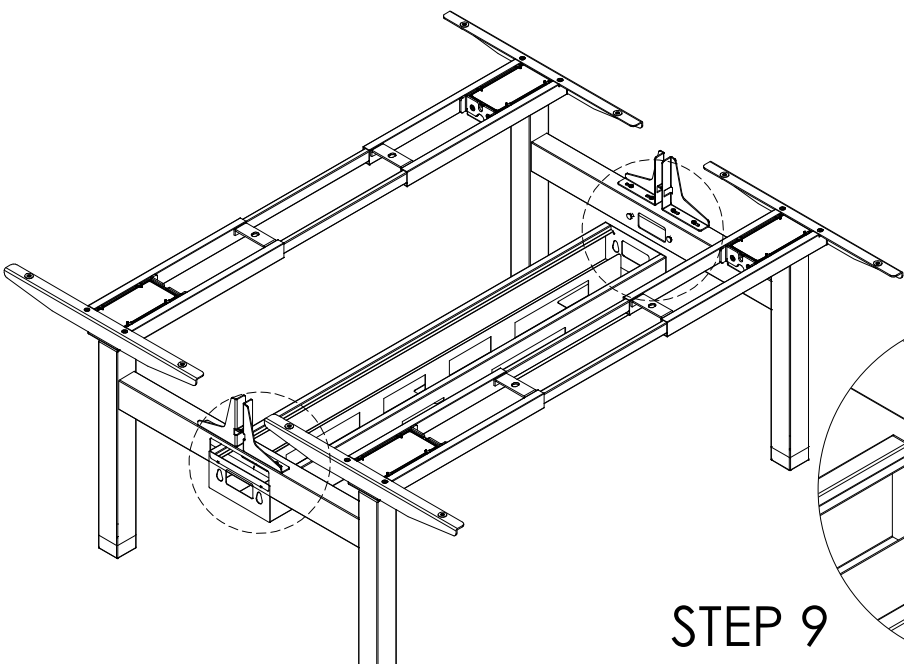


-Placed the screw meant for tear drop shape slot at both end of the Cable tray.
-total of (4) sets needed.
-Table Top not shown

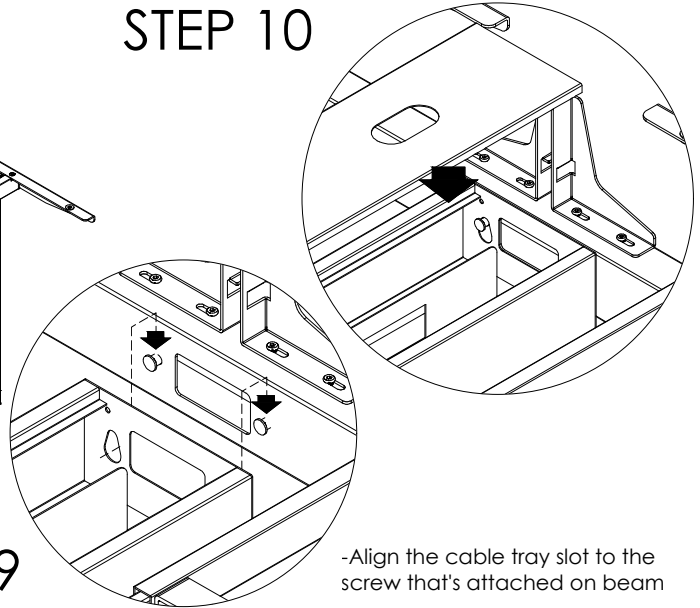


-Placed the Cable tray cover back on

STEP 10



STEP 9



-Align the cable tray slot to the screw that's attached on beam

Office FURNITURE
Brisbane

PRODUCT CODE:
EDE-B2B

ASSEMBLED SIZE:
1500L x 750D x ADJH

REMARKS:
Assembly Instructions (4of4)

Office FURNITURE
Brisbane