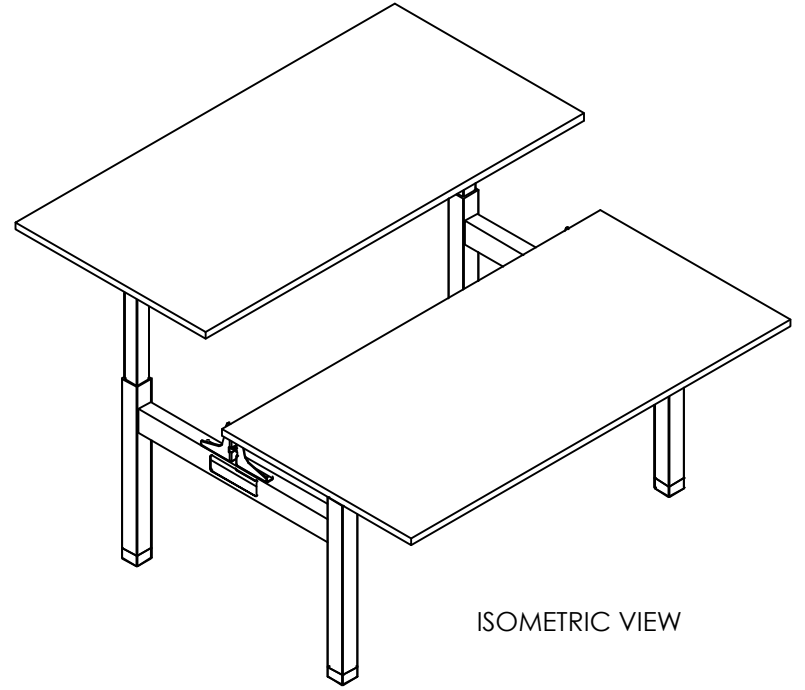
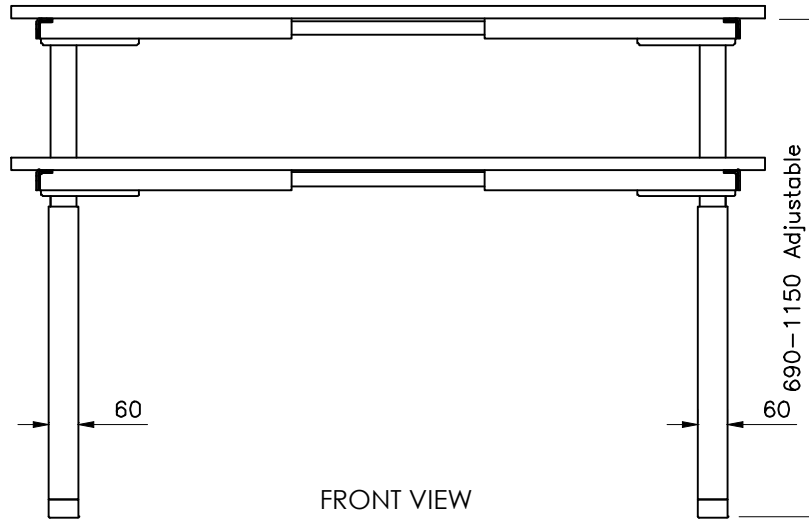


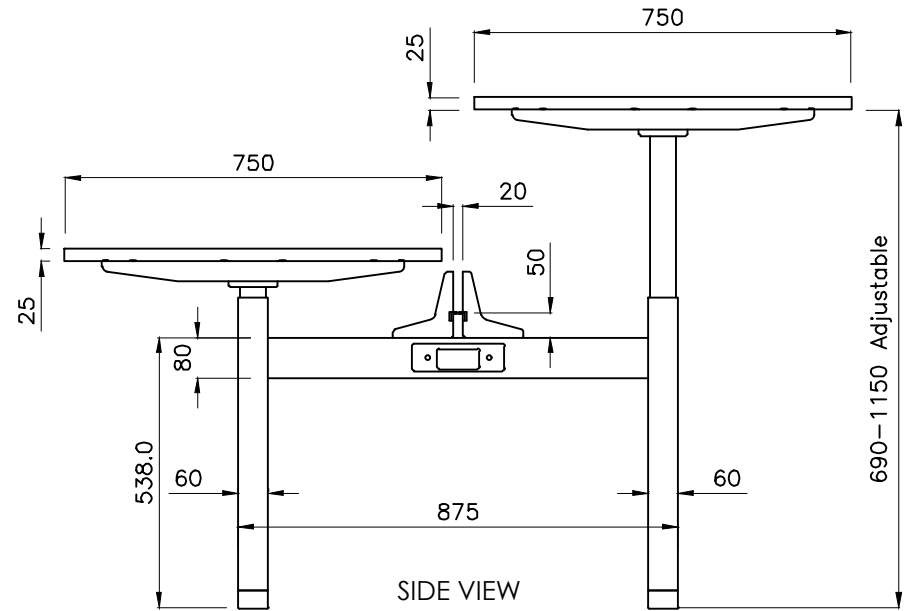
TOP VIEW



ISOMETRIC VIEW



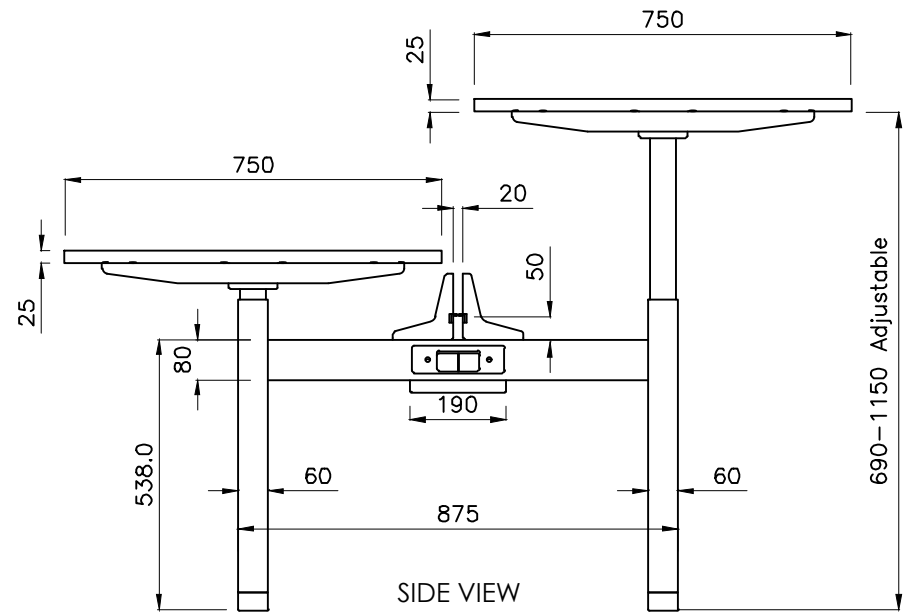
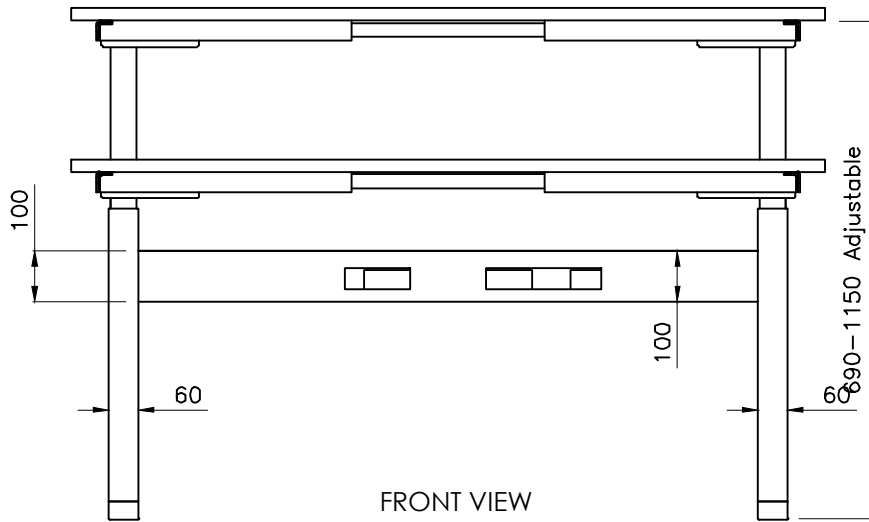
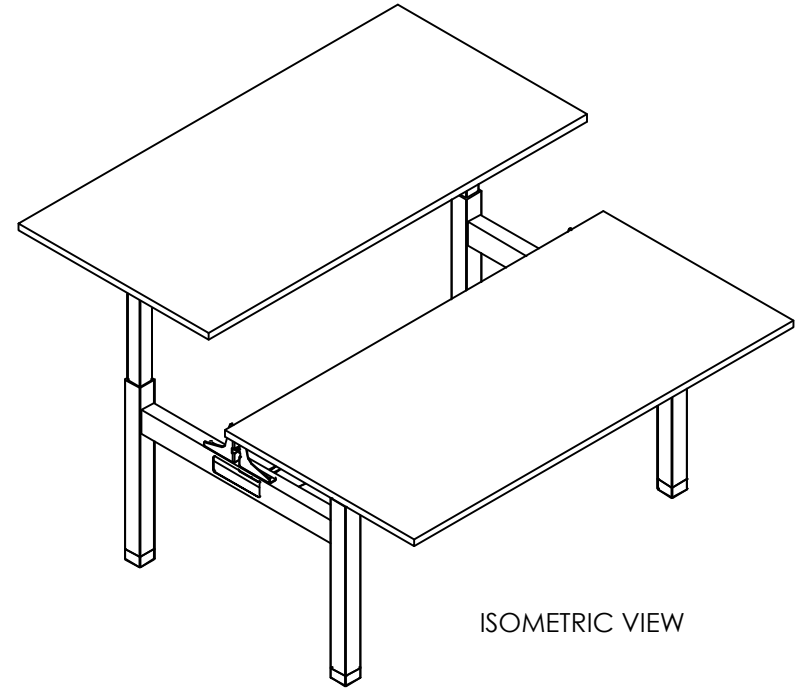
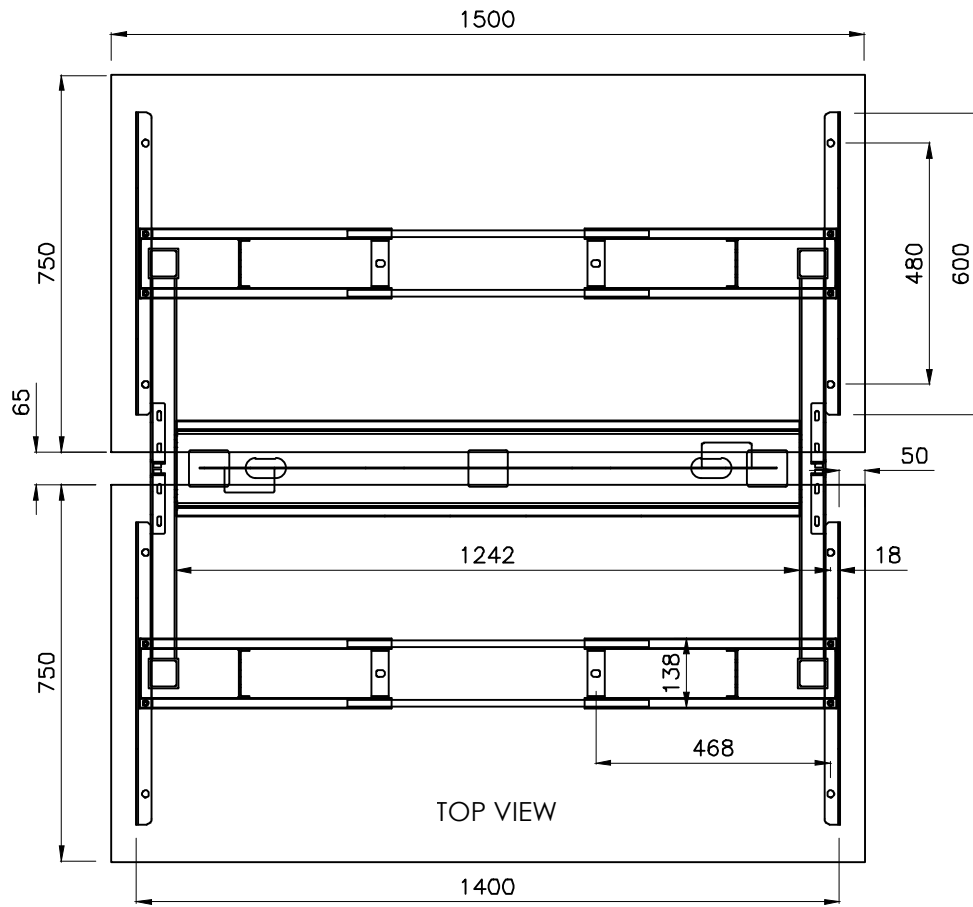
FRONT VIEW



SIDE VIEW

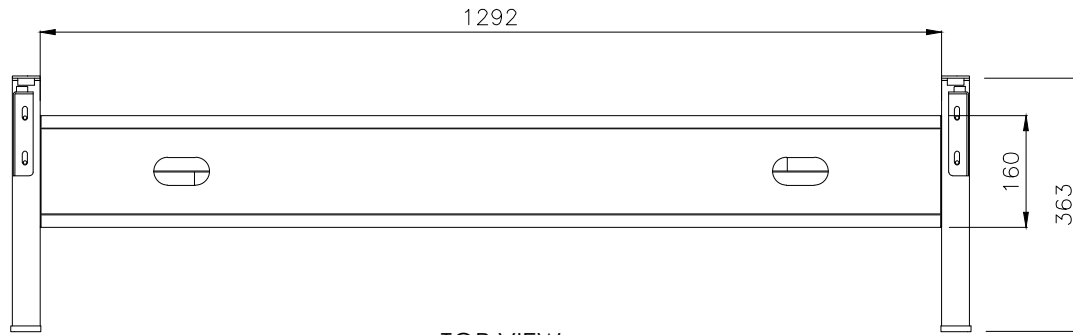
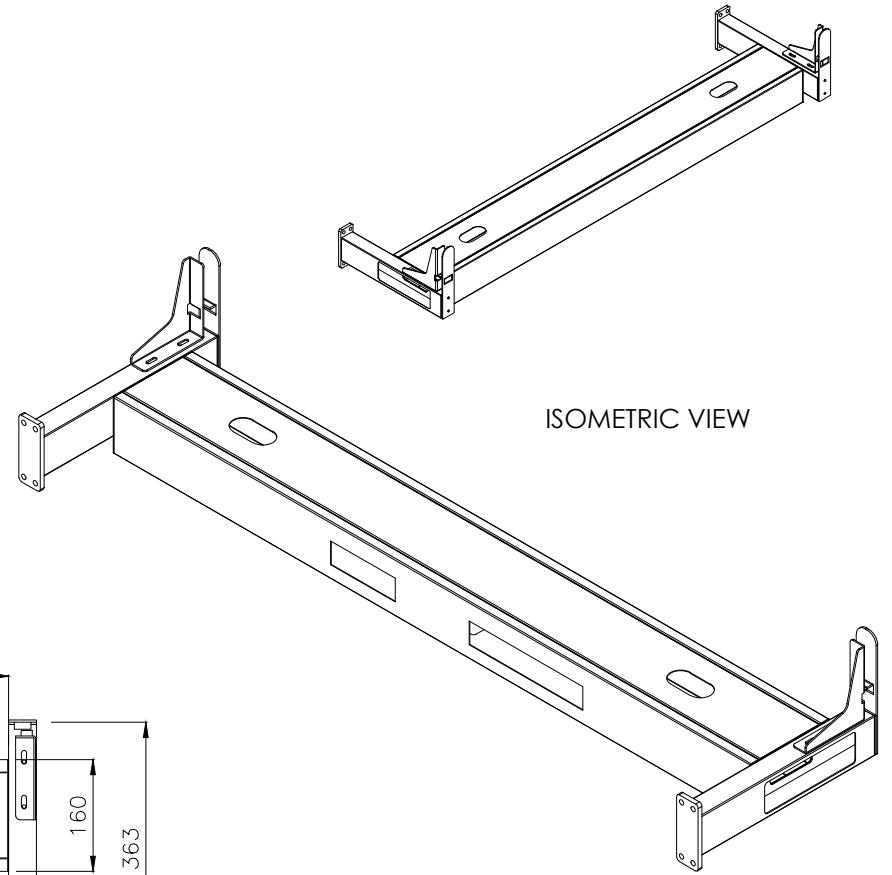
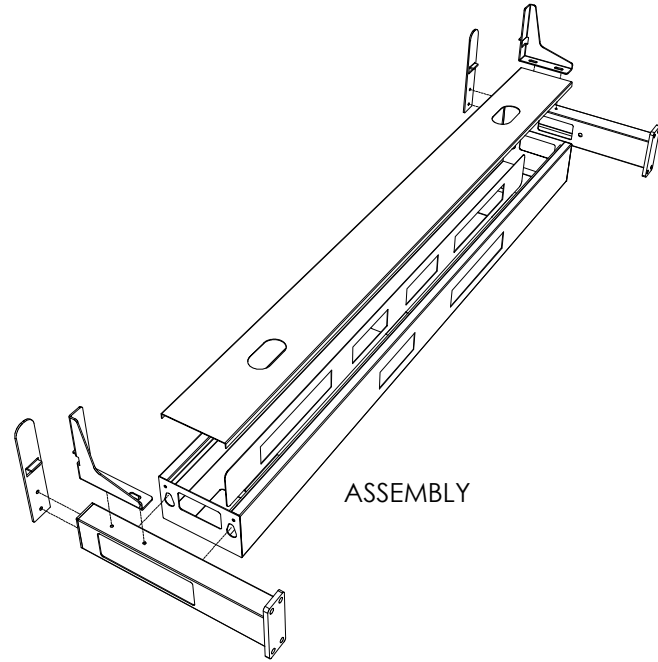
PRODUCT CODE: EDE-ECO-B2B-157
 ASSEMBLED SIZE: 1500L X 750D
 Square Leg

REMARKS:
 w/o Cable tray

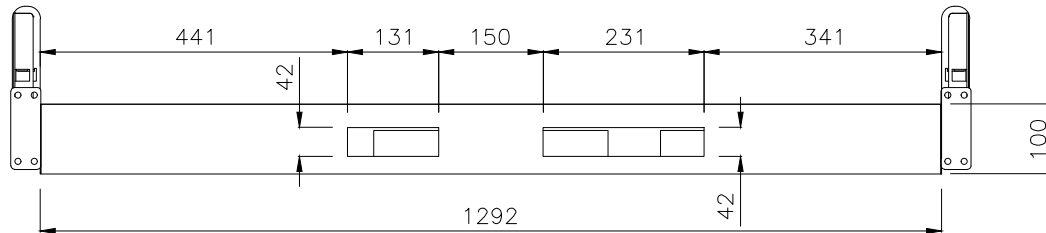


PRODUCT CODE: EDE-ECO-B2B-157
 ASSEMBLED SIZE: 1500L X 750D
 Square Leg

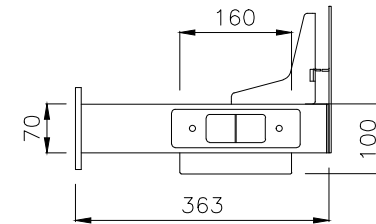
REMARKS:
 with Cable tray



TOP VIEW



FRONT VIEW



SIDE VIEW

PRODUCT CODE:
EDR-ARM+TRAY

ASSEMBLED SIZE:
-

REMARKS:
-