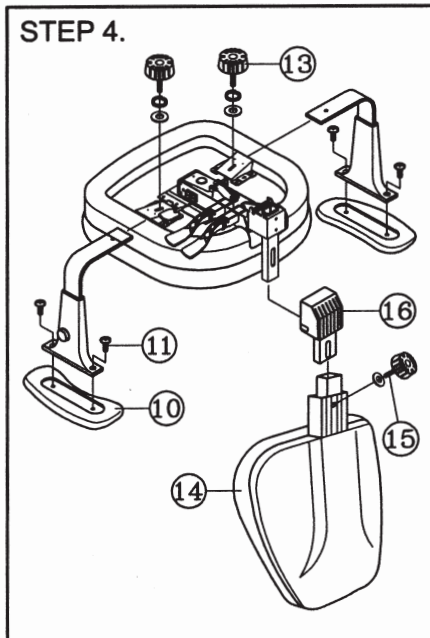
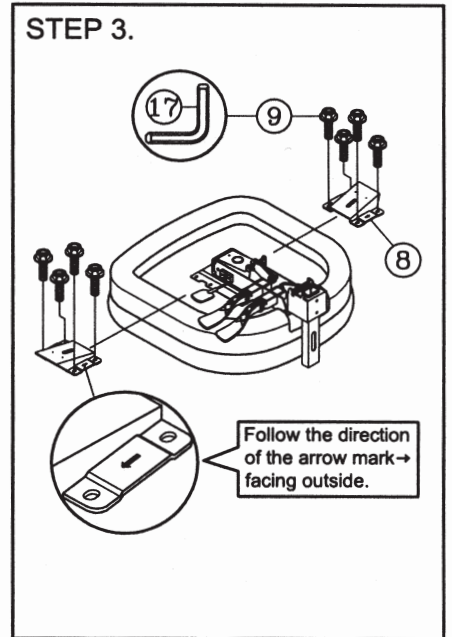
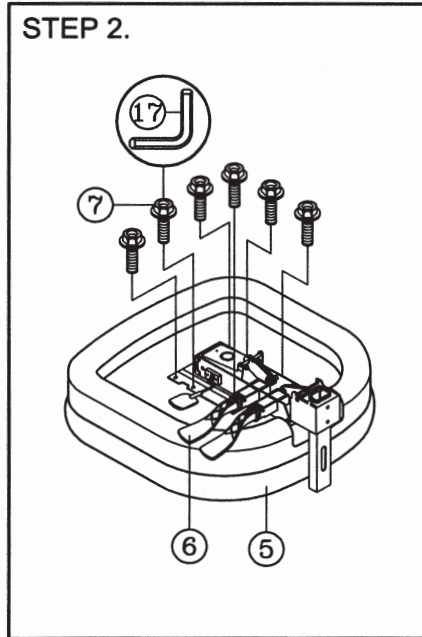
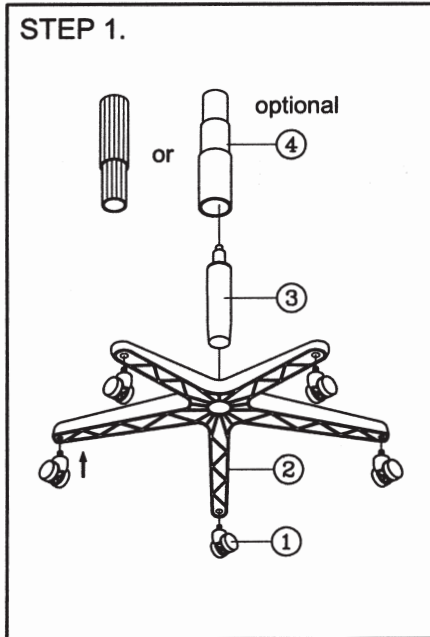


# Stateline Endeavour 103

ENDEAVOUR103

KEY QTY DESCRIPTION	KEY QTY DESCRIPTION	KEY QTY DESCRIPTION
1 5 Caster	8 2 Arm Bracket	14 1 Backrest
2 1 Base	9 8 Arm Bracket Screw	15 1 Backrest Height Adj. Knob + Washer
3 1 Seat Post	10 2 Arm Pad	16 1 Mechanism Plastic Bellow
4 1 Seat Post Cover(optional)	11 4 Arm Screw	17 1 Allen Wrench
5 1 Seat	12 2 Arm Plate	
6 1 Mechanism	13 2 Arm Width Adjustment Knob + Washers	
7 6 Mechanism Screw		



**MECHANISM INSTRUCTIONS:**

- A** Pneumatic seat height adjustment
- B** Seat angle adjustment :  
Seat angle adjusts independently with a single lever.
- C** Backrest angle adjustment :  
Back angle adjusts independently with a single lever.

**ATTENTION**

1. THIS ASSEMBLY INSTRUCTION IS ONLY FOR ASSEMBLING THE CHAIR. THE CHAIR DRAWING MAY BE DIFFERENT FROM CHAIR APPEARANCE.
2. SOME SCREWS MAY PREASSEMBLED , ASSEMBLERS CAN IGNORE THE STEP.
3. REMOVE ALL ITEMS FROM THE CARTON. VERIFY ALL PIECES BEFORE ASSEMBLY.

**PREVENTIVE MAINTENANCE AND WARNING!**

- IF ANY PARTS ARE MISSING, BROKEN, DAMAGED OR WORN, STOP USE OF THE PRODUCT UNTIL REPAIRS ARE MADE USING FACTORY AUTHORIZED PARTS.
- DISPOSE OF PACKAGING PROPERLY.
- FAILURE TO FOLLOW THESE WARNINGS COULD RESULT IN SERIOUS INJURY.
- EVERY SIX MONTHS, PLEASE MAKE SURE ALL BOLTS, SCREWS AND KNOBS ARE FULLY TIGHTENED TO ENSURE STABILITY.