




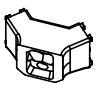



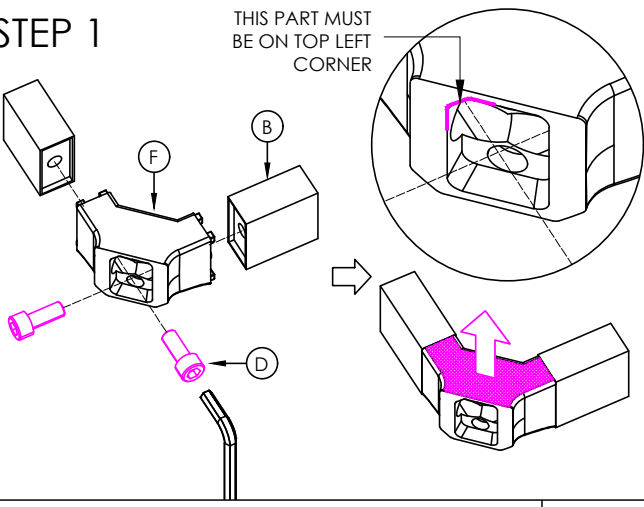


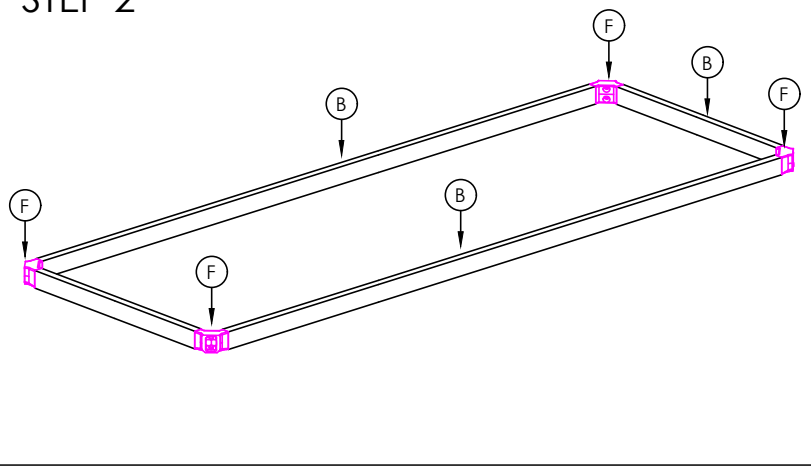
A		x1	B		x1	C		x4
D	 M6x25	x16	E	 PILLAR <small>Depends on top size</small>		F	 90° KNUCKLE	x4
G	 TOP PLATE	x4	H	 COUNTER SUNK M6x15	x4	I	 WOOD SCREW M6x25 <small>Depends on top size</small>	

**STEP 1**

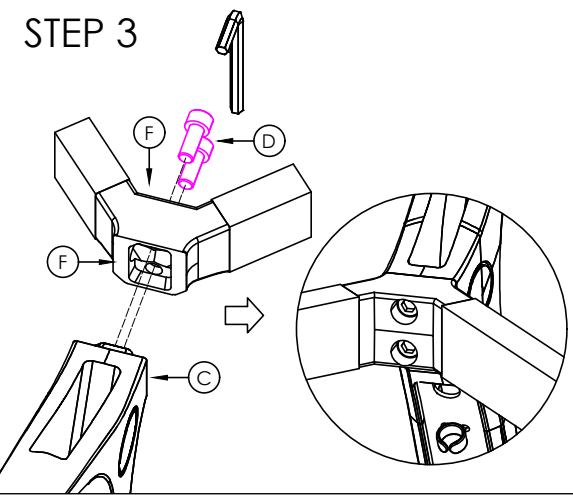
THIS PART MUST BE ON TOP LEFT CORNER



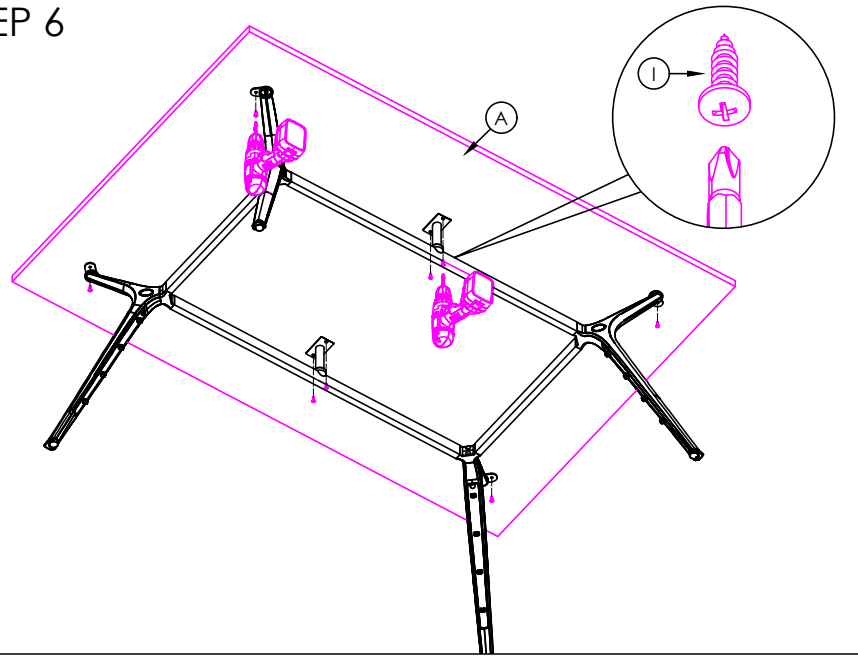
**STEP 2**



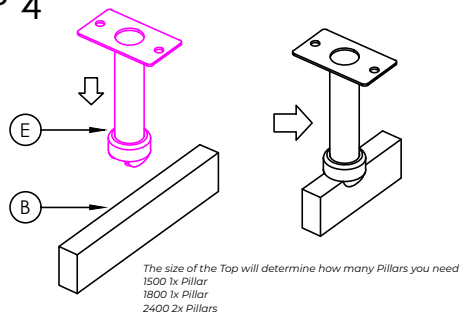
**STEP 3**



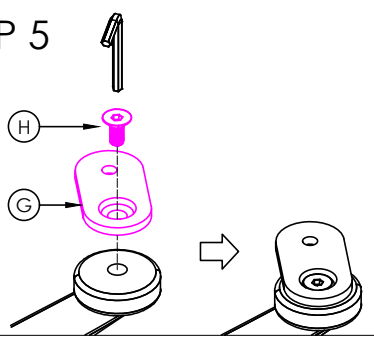
**STEP 6**



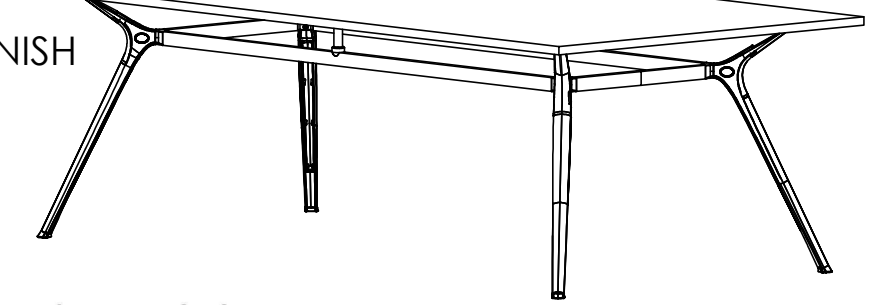
**STEP 4**



**STEP 5**



**FINISH**



**CAUTION HEAVY 2 PERSON HEAVY ASSEMBLY**