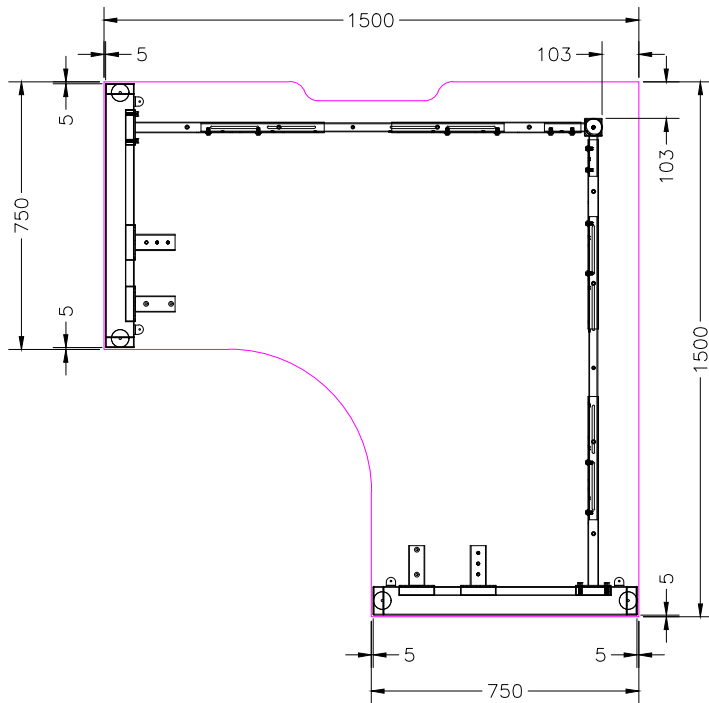
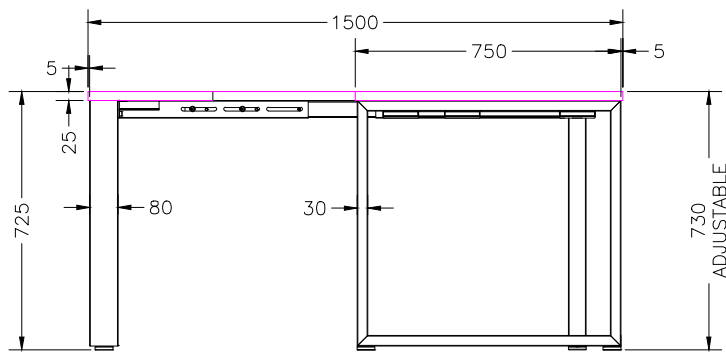


ISOMETRIC VIEW



TOP VIEW



FRONT VIEW

