

ASSEMBLY INSTRUCTIONS:

Product Code : NIDO-CTL800.435 BL/B | NIDO-CTM600.308 BL/B
NIDO-STS400.635 BL/B| NIDO1206 BL/BLK
Product Name: NIDO Coffe, Oval and Side Tables

TIME REQUIRED:

30 minutes

TOOLS REQUIRED:

Screwdriver, Electric Drill, Pencil, Measuring tape/Ruler

*Tools are not included.

SKILL REQUIRED:

Easy  Hard

The Assembly Skill Rating is a 5-point system that shows the degree of effort needed in assembling a specific product. With 1 being easy for the average person and 5 requiring an expert. For most products, two persons are recommended.

Please note, as this is a commercial product, some intermediate skills are required.

*No pre-drill holes or markings are provided on tops.

NOTE

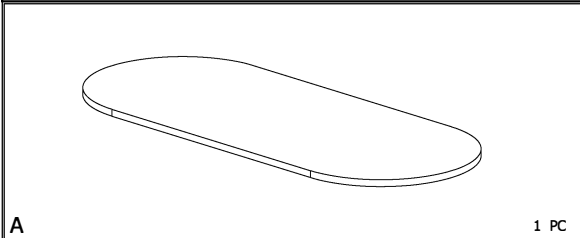
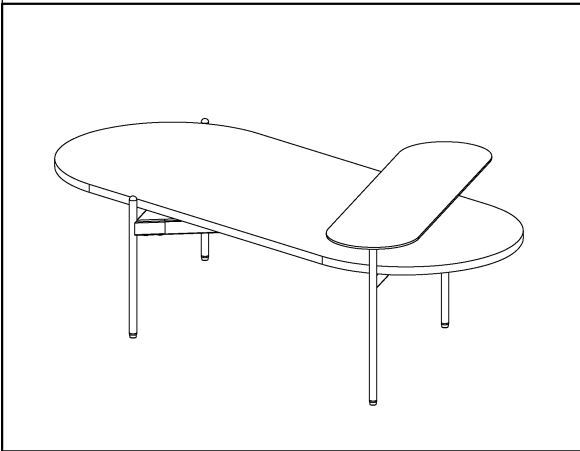
- As this is a commercial product, some intermediate skills may be required.
 - No pre-drill holes or markings are provided on our table or desk tops.
 - Please check you have all hardware before assembling.
- If you are missing any hardware, please contact your Rapidline reseller. Please ensure you have the name of the item, required hardware part and quantity.
 - Please retain your receipt as proof of purchase to validate your warranty.
- Assemble on a clean, flat, smooth surface such as a rug or carpet to avoid parts from being scratched.
 - Remove all wrapping materials, including staples and packing straps before you start to assemble
 - Keep all hardware parts out of reach of children.

CAUTION

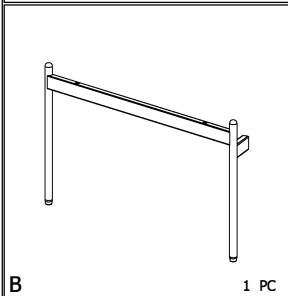
- Heavy product. Do not attempt to lift or move without help
- Do not tighten screws and bolts until completely assembled.
- Do not use this product unless all bolts and screws are firmly secured and tightened.

WARNING

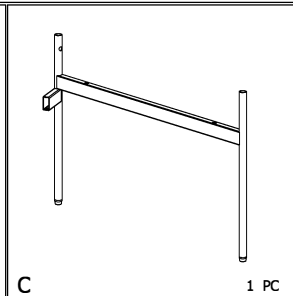
- If parts are missing, broken, damaged or worn stop using the product until all repairs are made.
 - Failure to follow these warnings could result in serious injury.



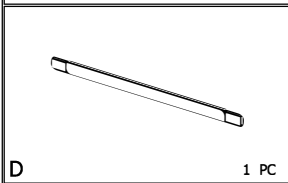
A 1 PC



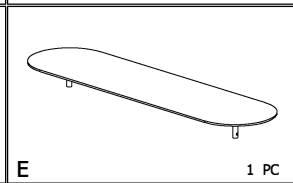
B 1 PC



C 1 PC



D 1 PC



E 1 PC



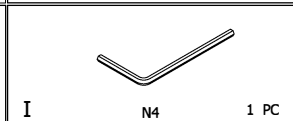
F M6*10mm 2 PCS



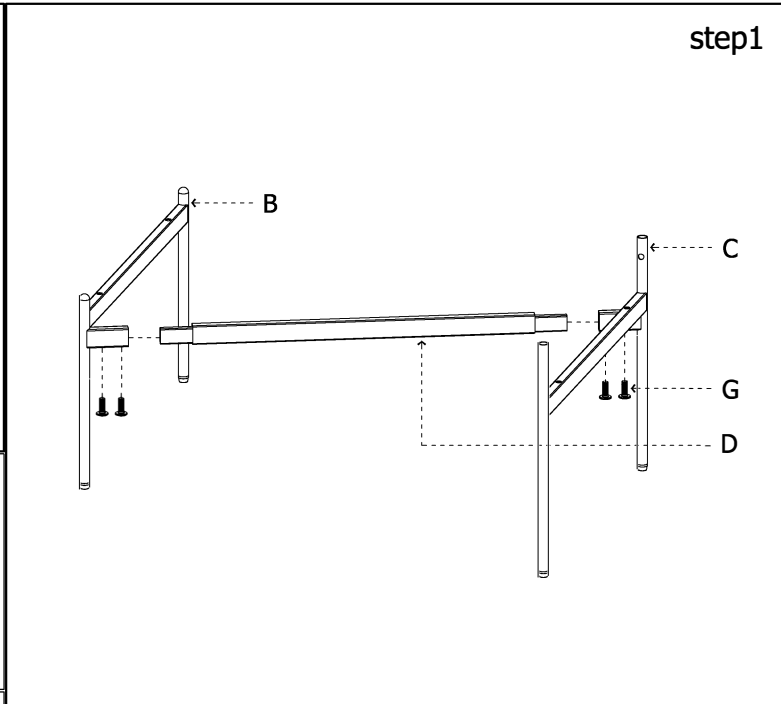
G M6*16mm 4 PCS



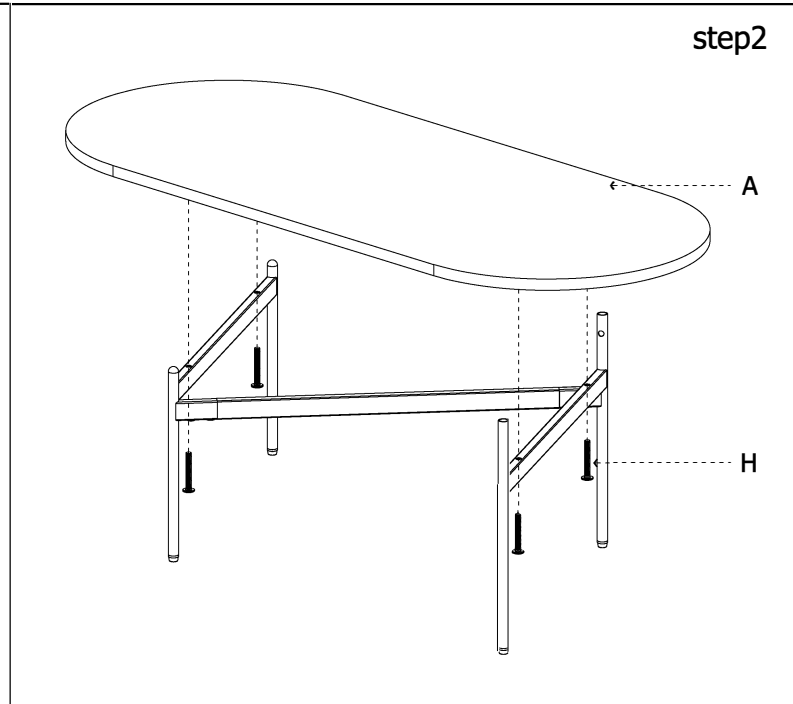
H M6*40mm 4 PCS



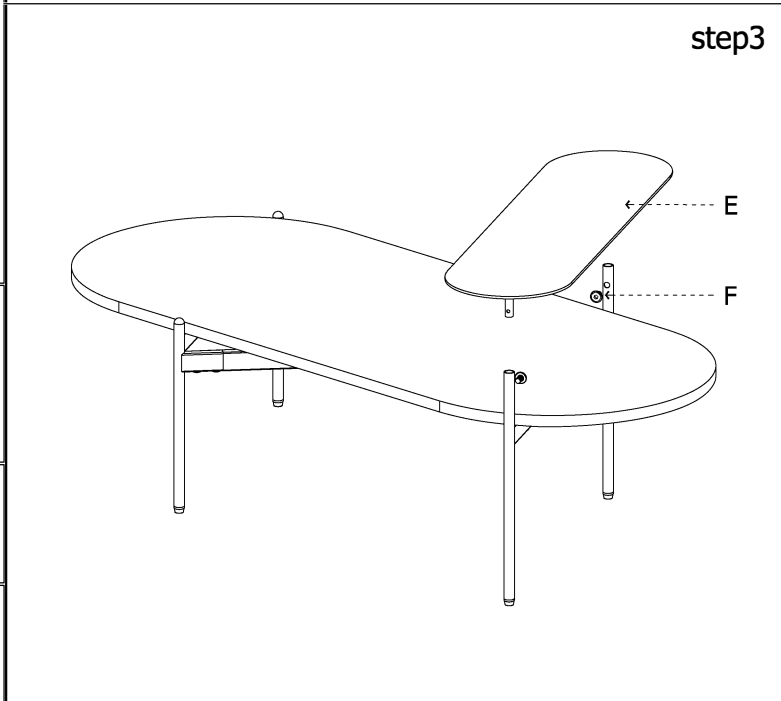
I N4 1 PC



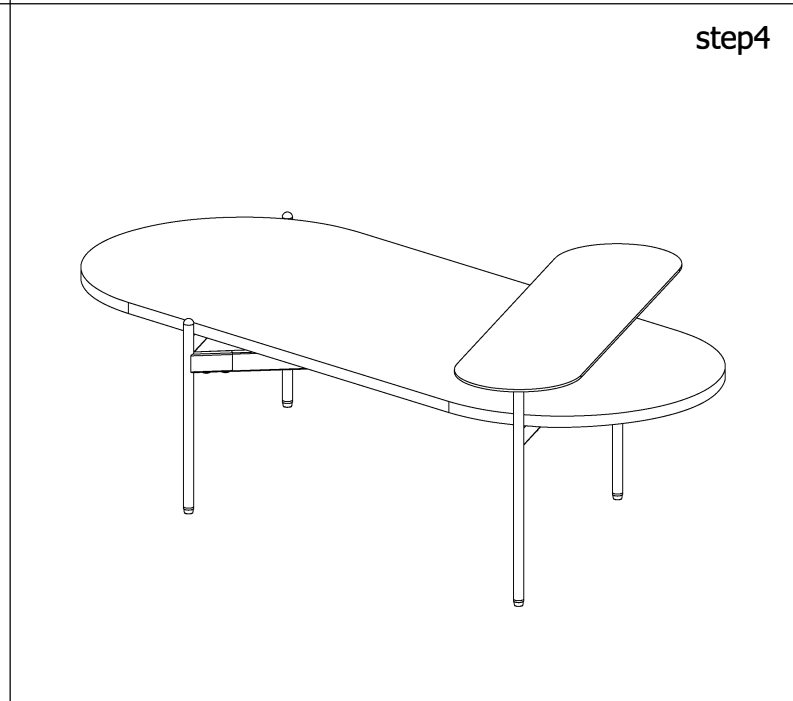
step1



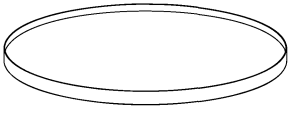
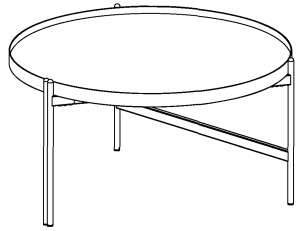
step2



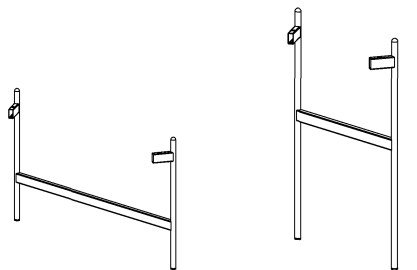
step3



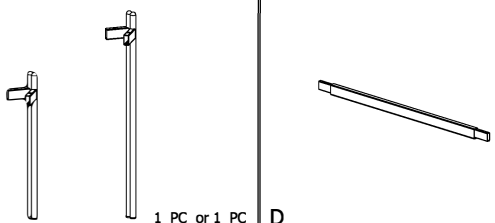
step4



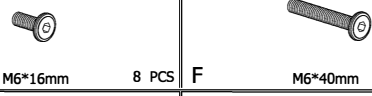
A 1 PC



B 1 PC or 1 PC



C 1 PC or 1 PC D 2 PCS

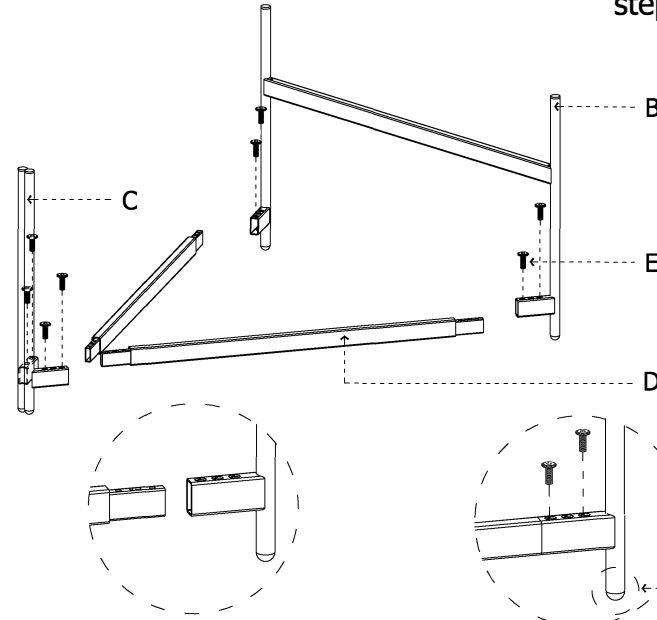


E M6*16mm 8 PCS F M6*40mm 4 PCS



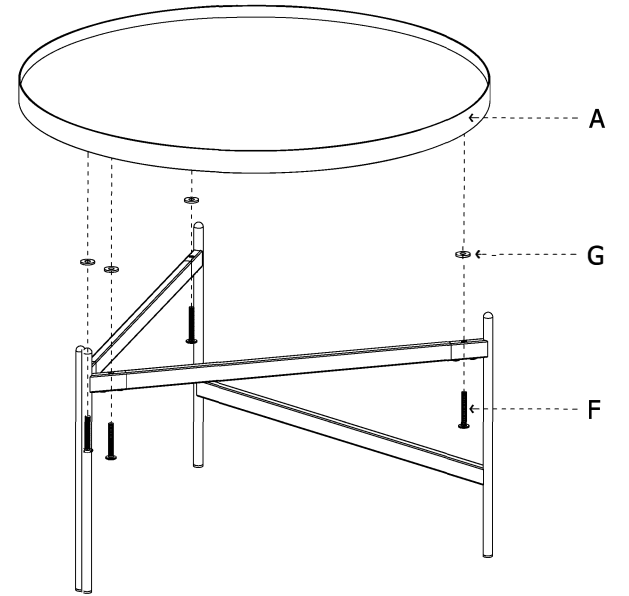
G 4 PCS H M4mm 1 PC

step1

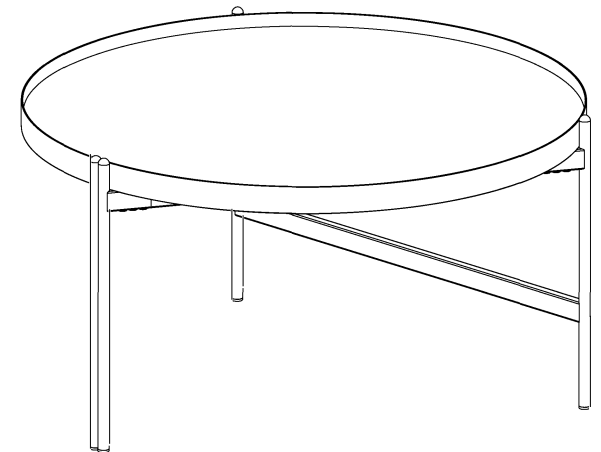
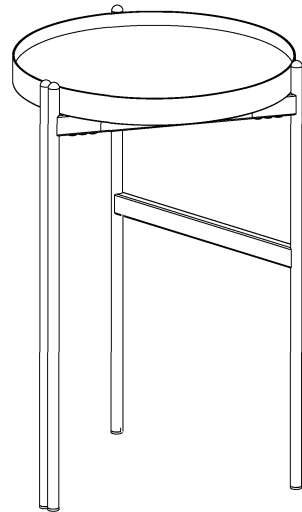


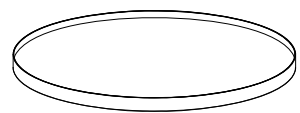
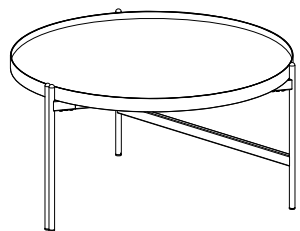
Remove the protective package after installation

step2

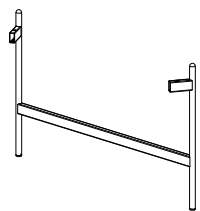


step3





A 1 PC



B 1 PC



C 1 PC



D 2 PCS



E M6*16mm 8 PCS



F M6*40mm 6 PCS

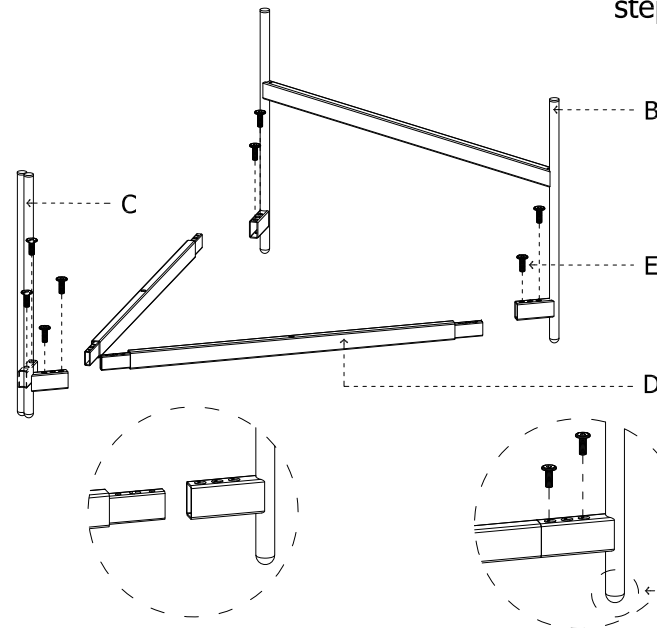


G 6 PCS



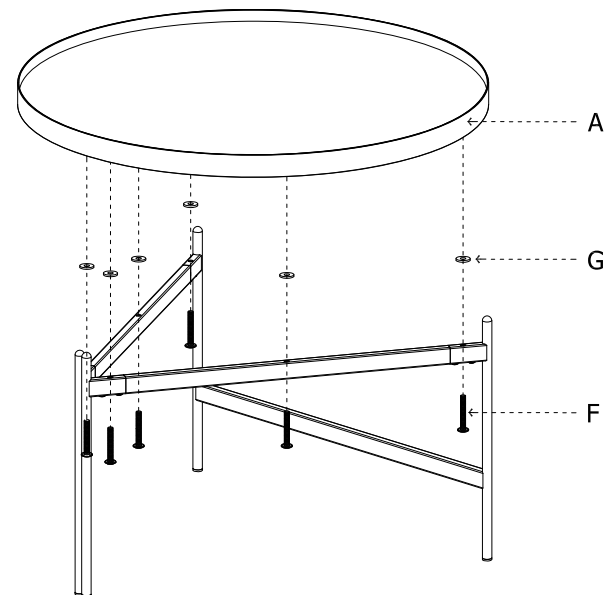
H M4mm 1 PC

step1



Remove the protective package after installation

step2



step3

