

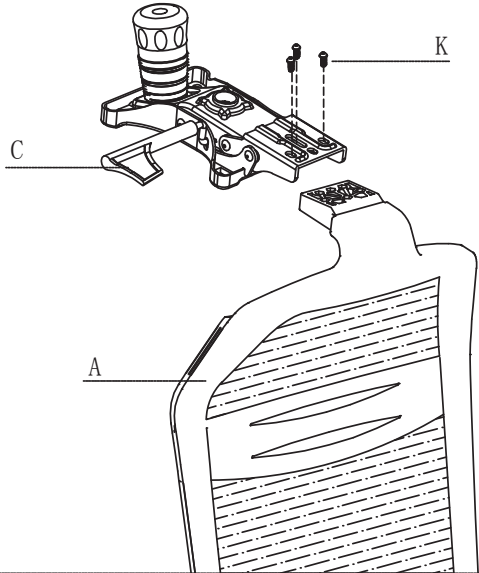
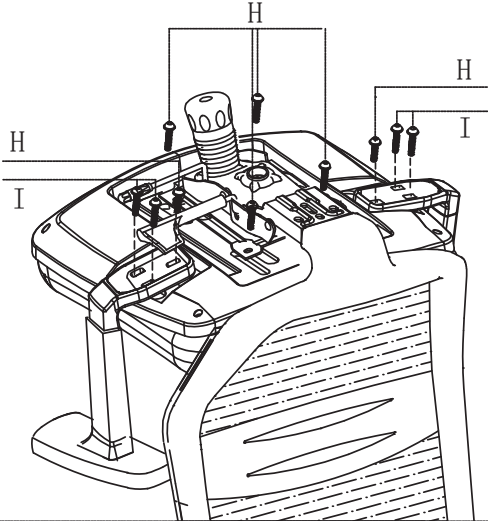


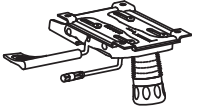

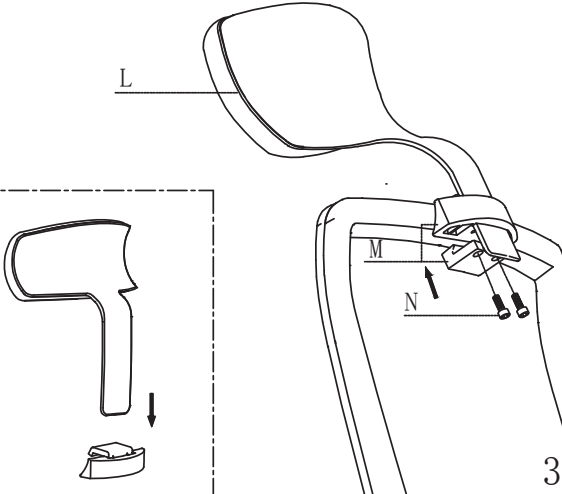
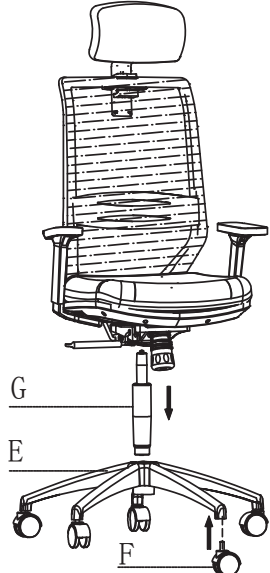

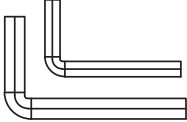


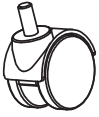





WIN HIGH BACK

R2S-WIN

 A 1PCS	 H M6 × 30 6PCS	 1	 2
 B 1PCS	 I M6 × 35 4PCS		
 C 1PCS	 J M8 × 30 3PCS	 3	 4
 D 1SET	 K 1SET		
 E 1PCS	 L 1PCS		
 F 5PCS	 M 1SET		
 G 1PCS	 N M6 × 20 2PCS		