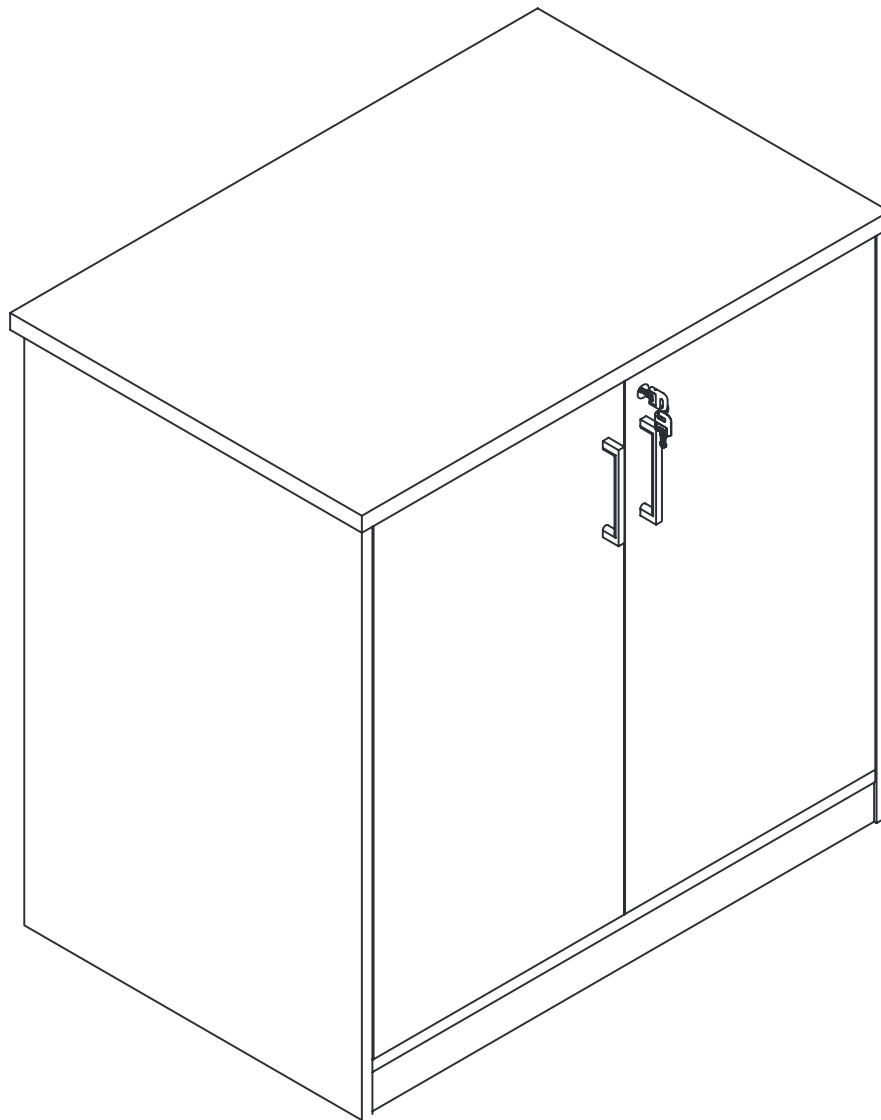
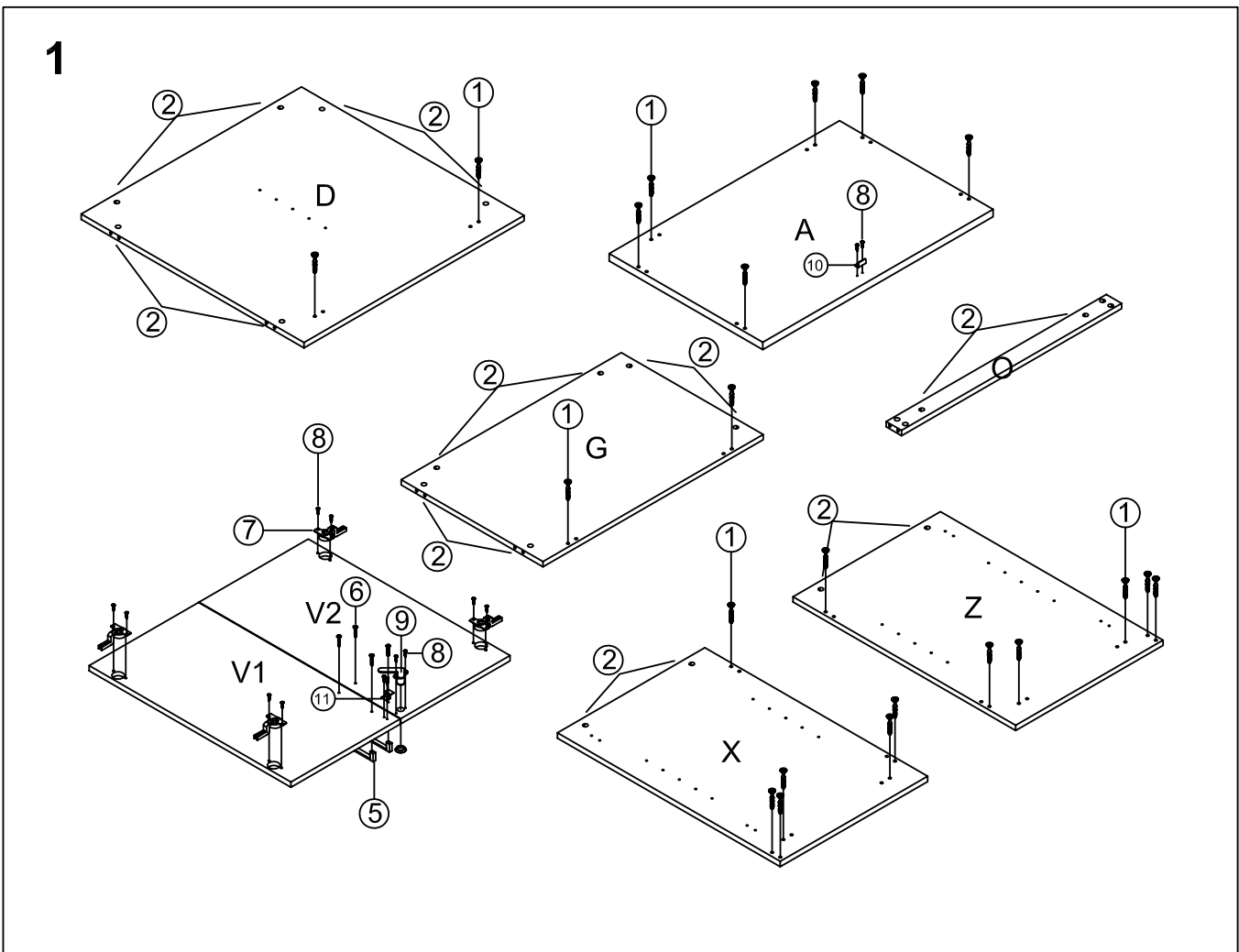
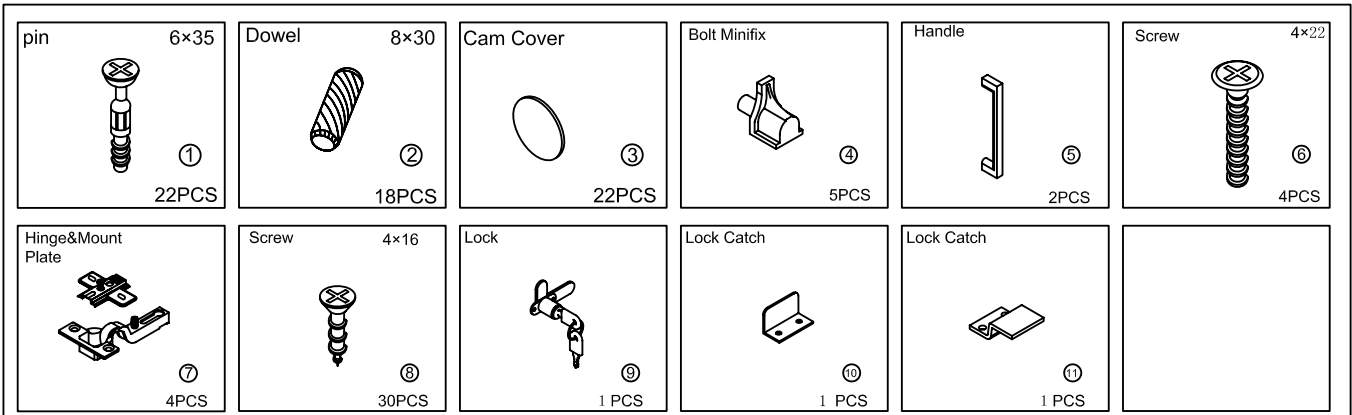
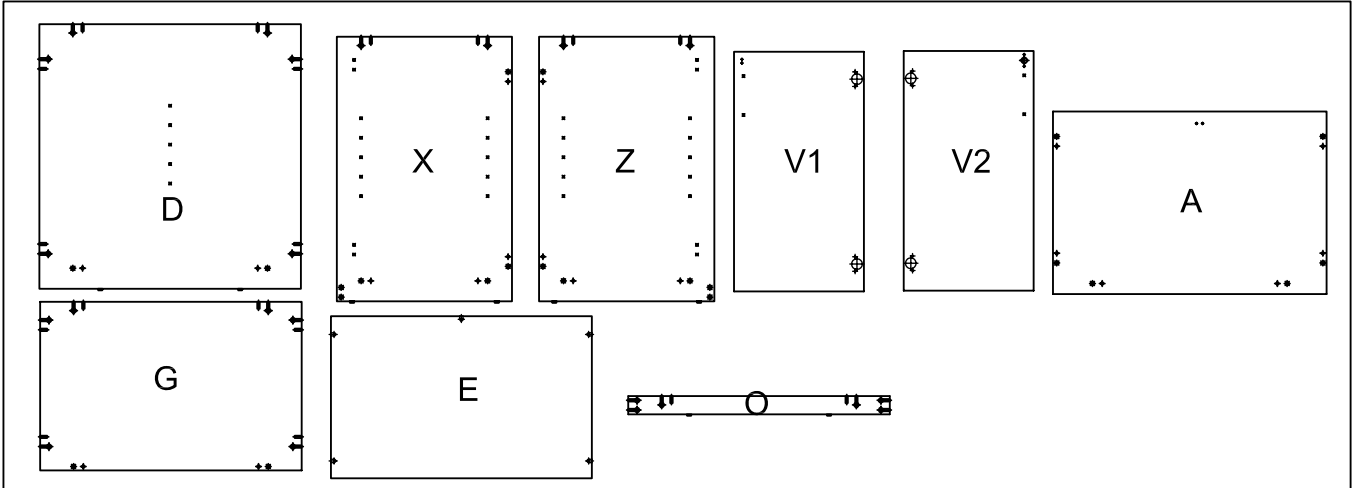
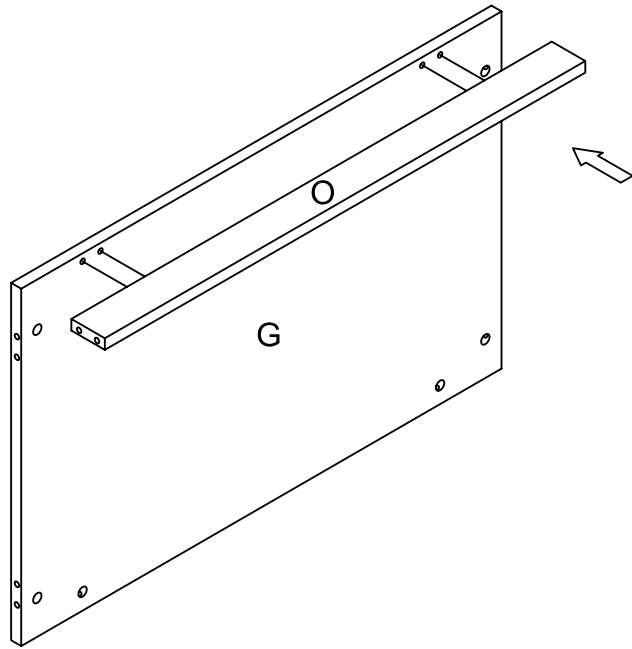


ASSEMBLY INSTRUCTIONS  
Hinged Door Cupboard  
900W  
R20-HINCUI9

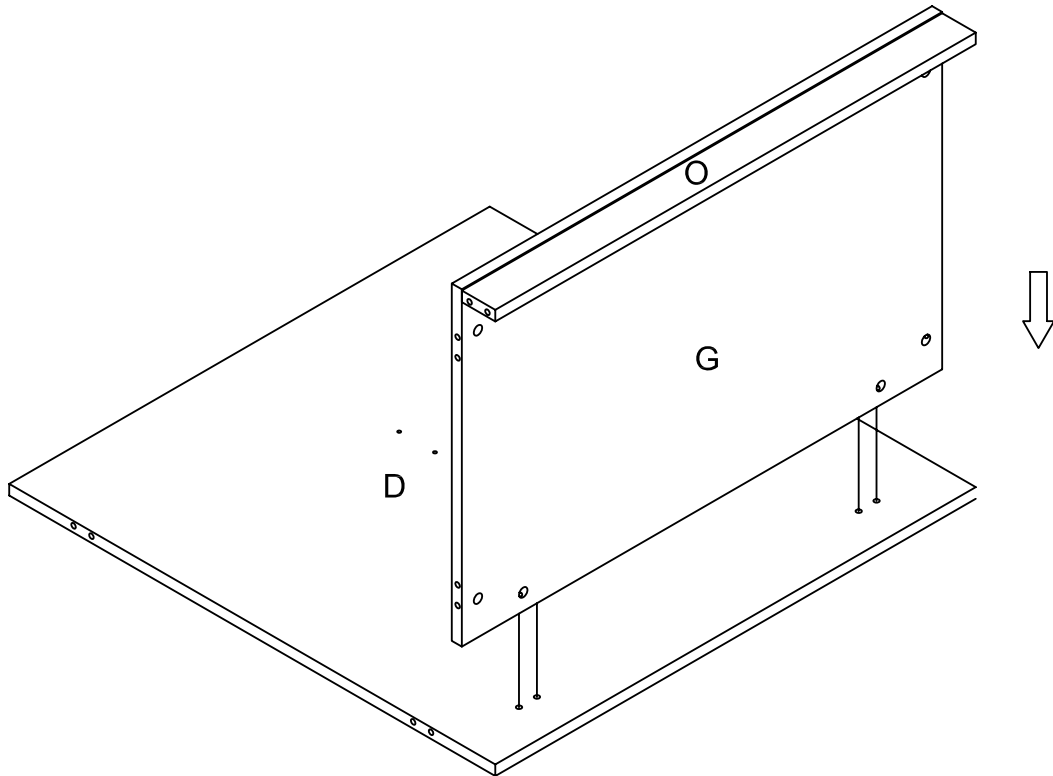




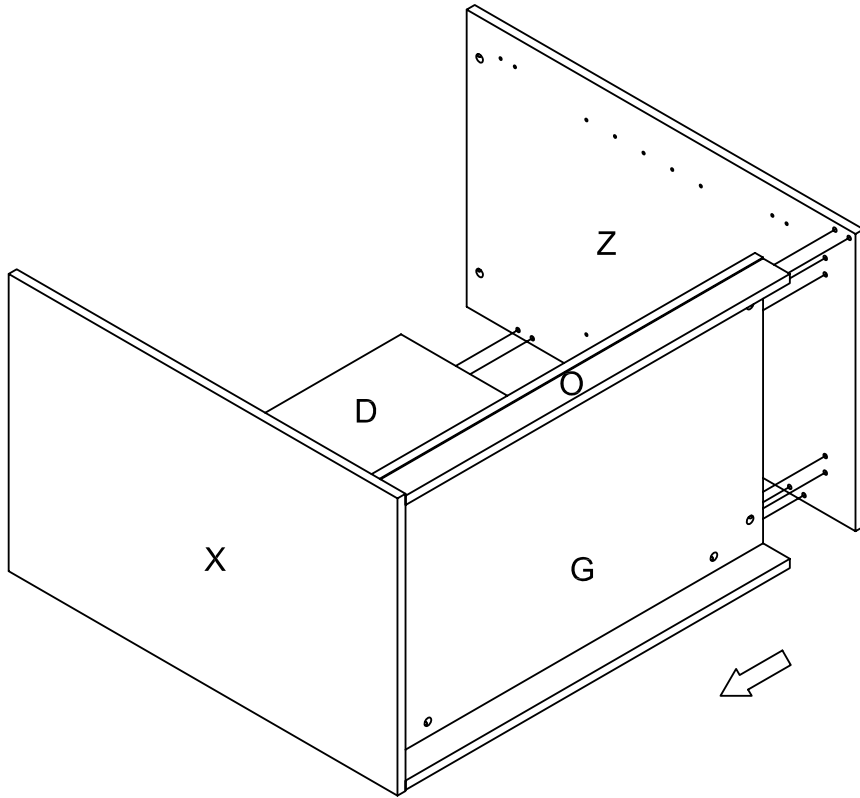
2



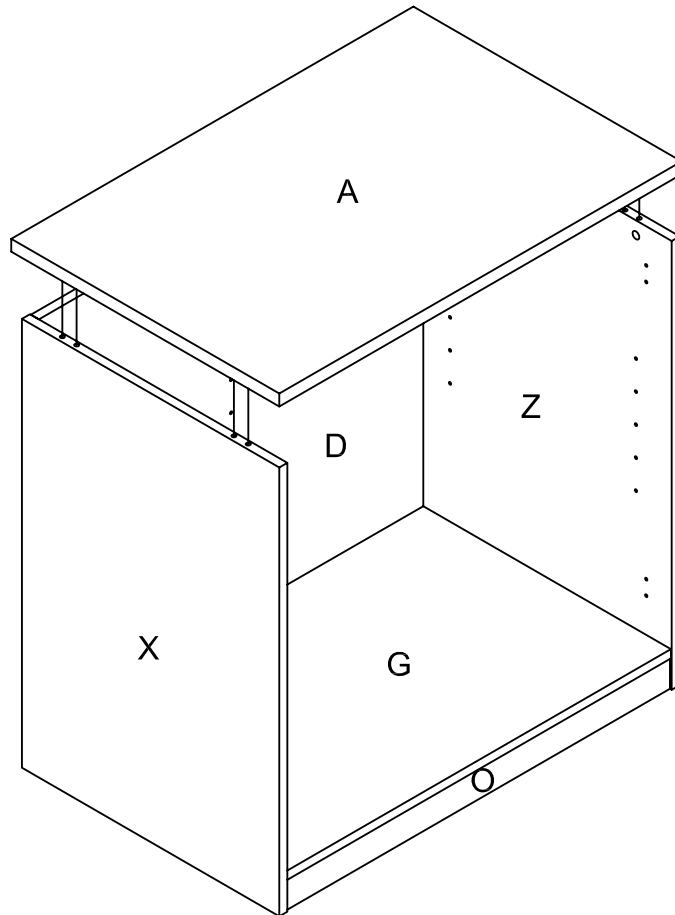
3



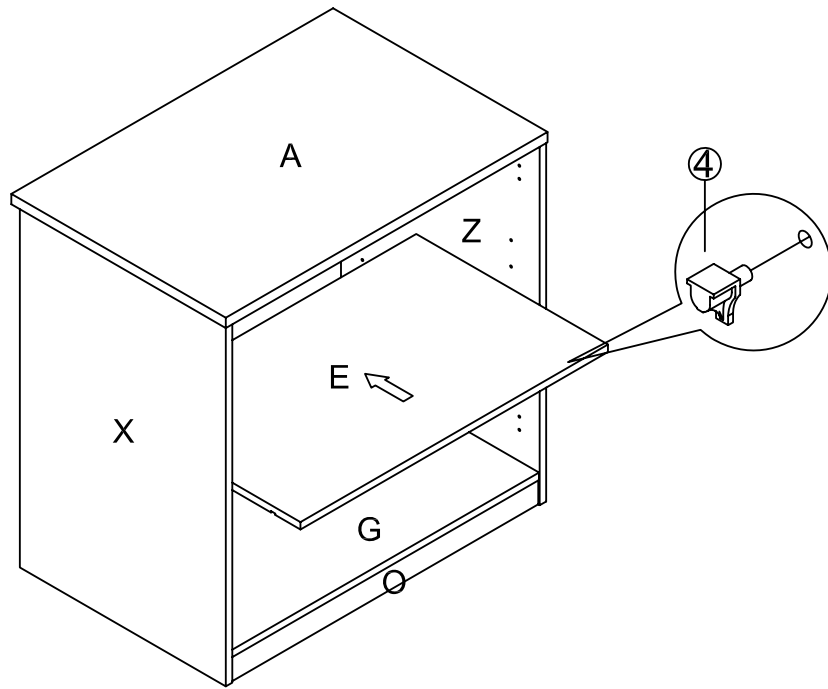
4



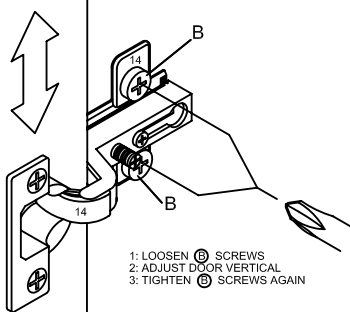
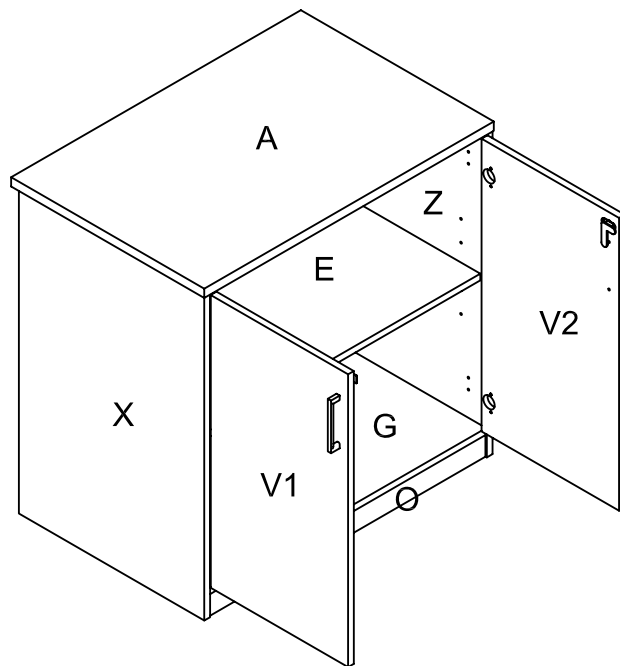
5



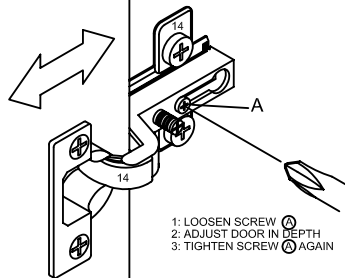
6



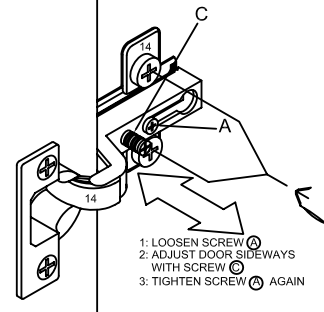
7



1: LOOSEN SCREW B  
2: ADJUST DOOR VERTICAL  
3: TIGHTEN SCREW B AGAIN

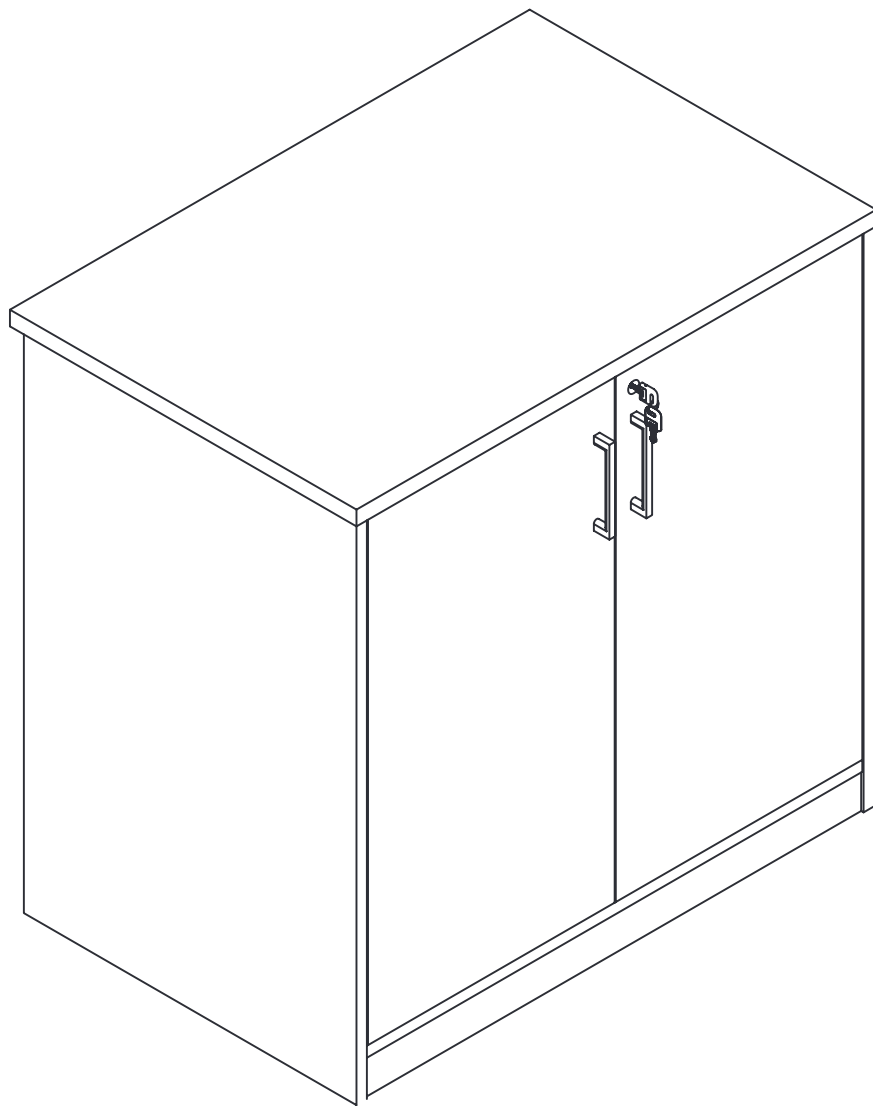


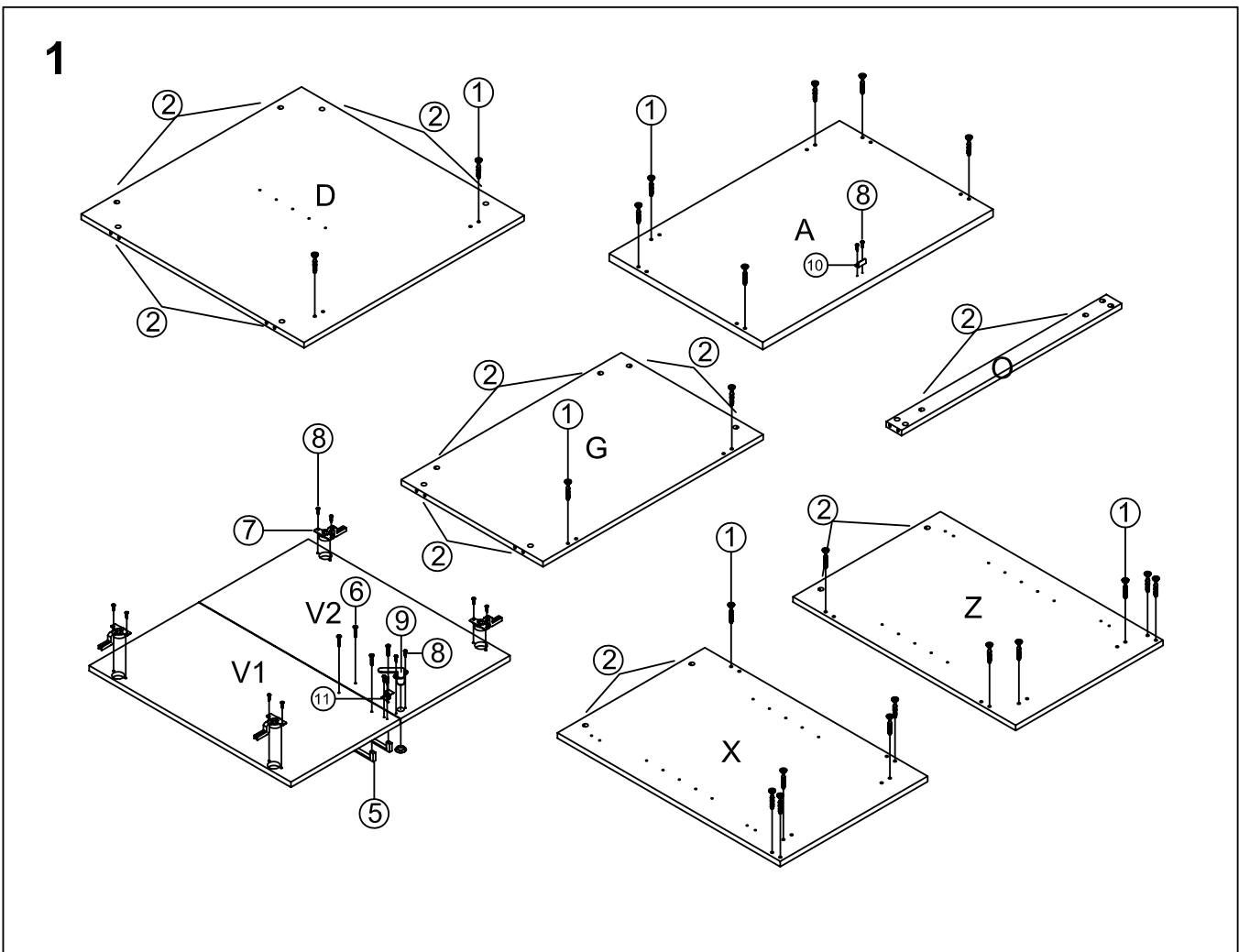
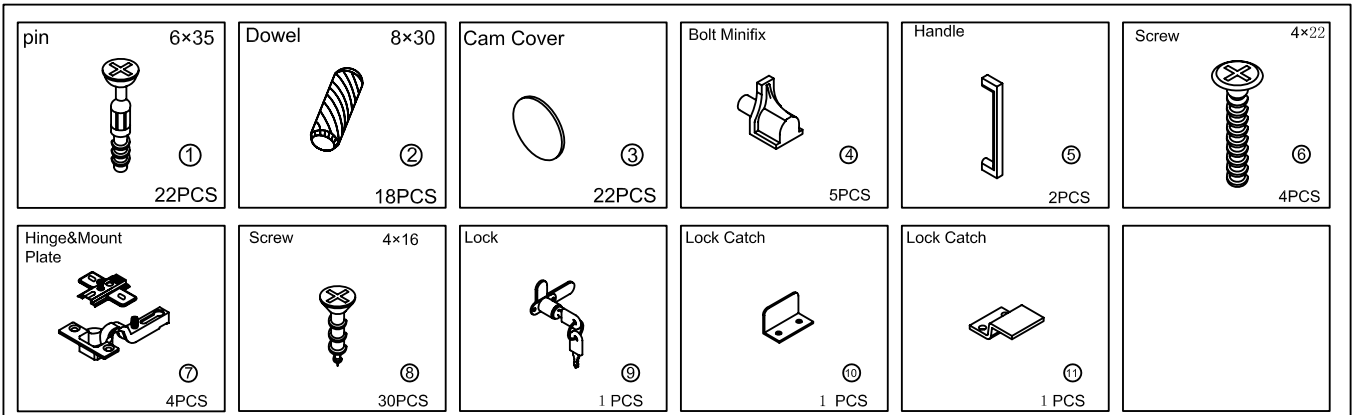
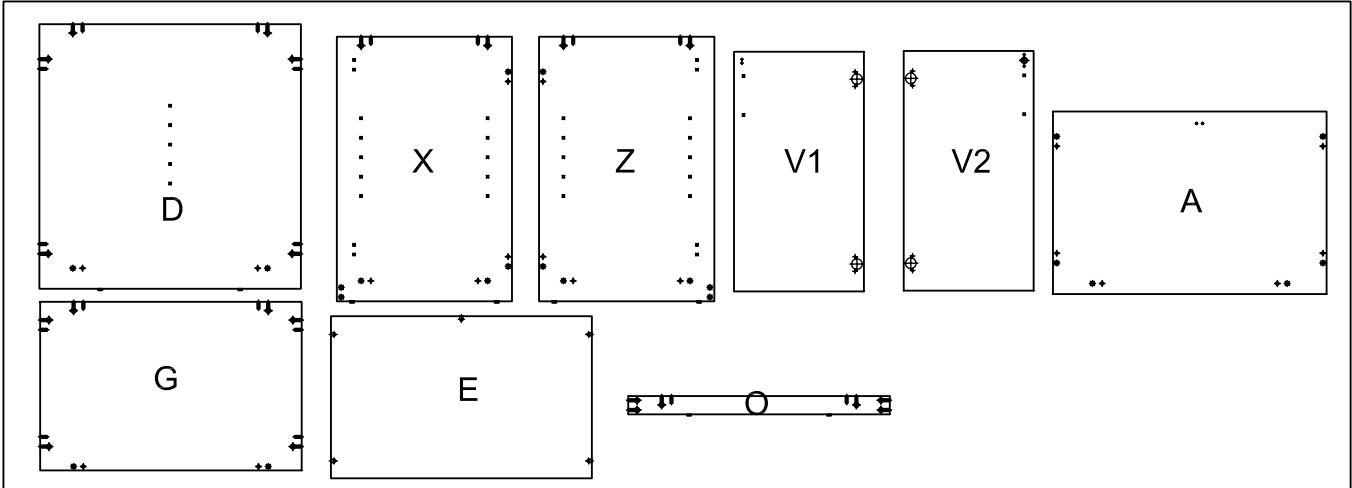
1: LOOSEN SCREW A  
2: ADJUST DOOR IN DEPTH  
3: TIGHTEN SCREW A AGAIN



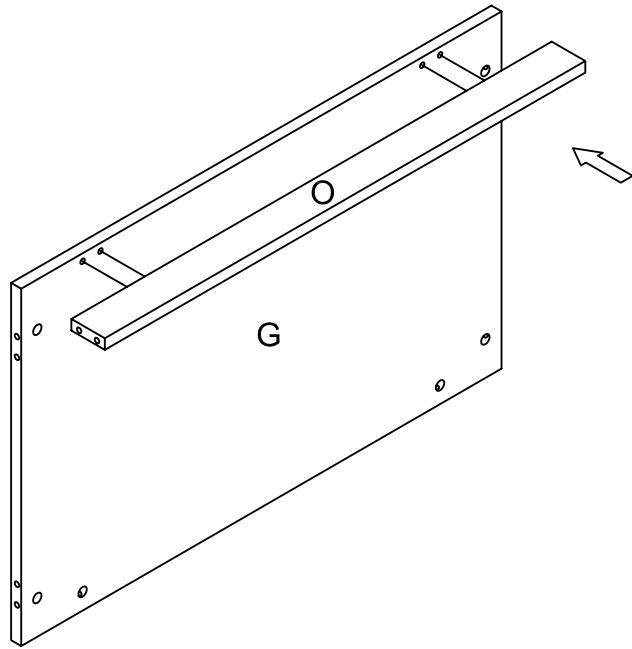
1: LOOSEN SCREW C  
2: ADJUST DOOR SIDWAYS  
WITH SCREW A  
3: TIGHTEN SCREW C AGAIN

ASSEMBLY INSTRUCTIONS  
Hinged Door Cupboard  
1200W  
R20-HINCUI2

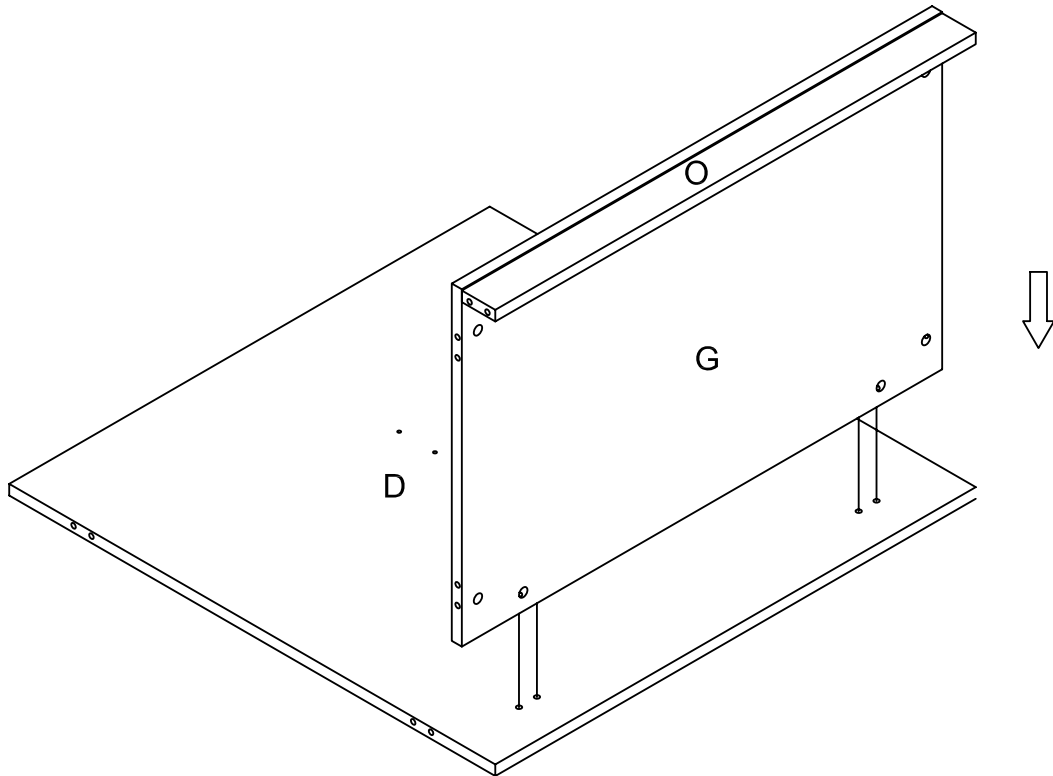




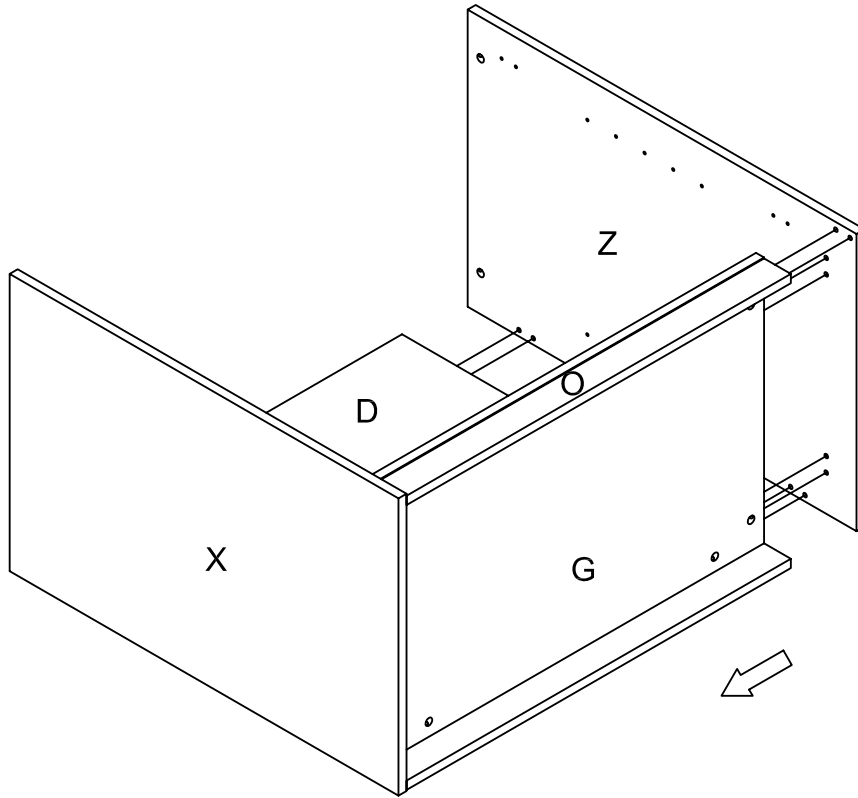
2



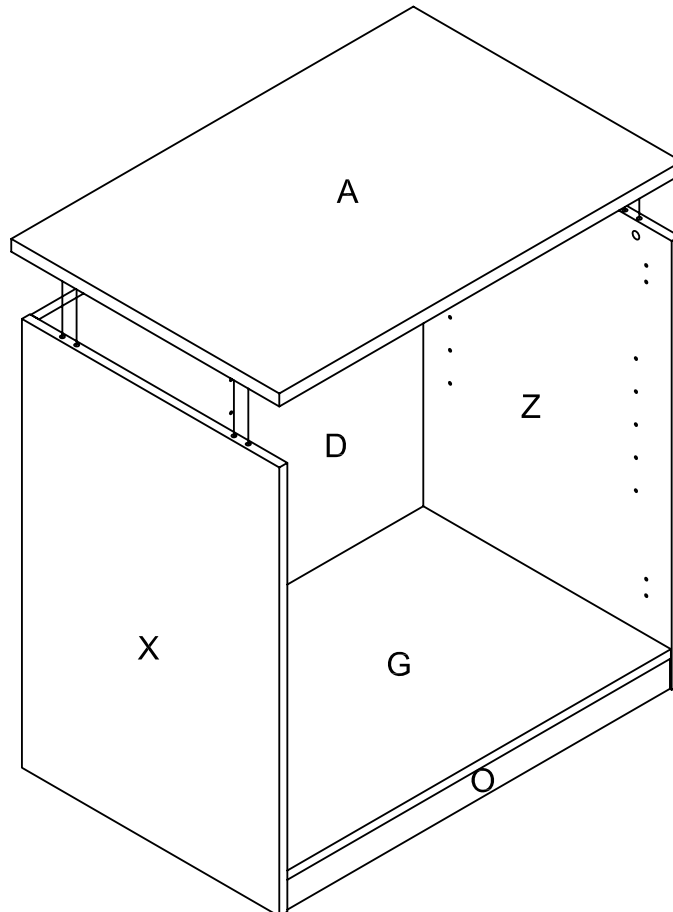
3



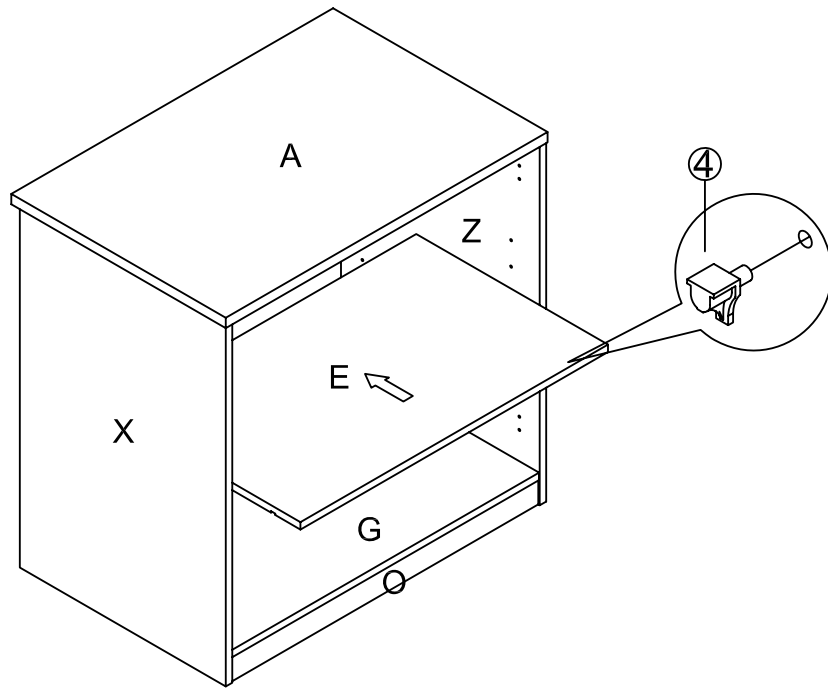
4



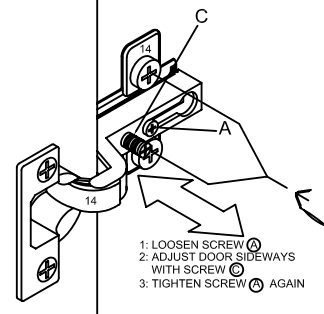
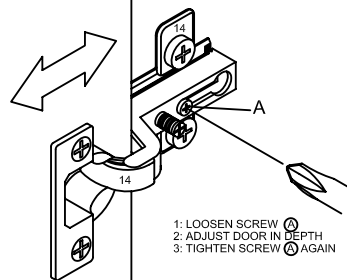
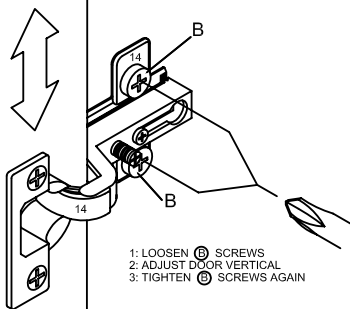
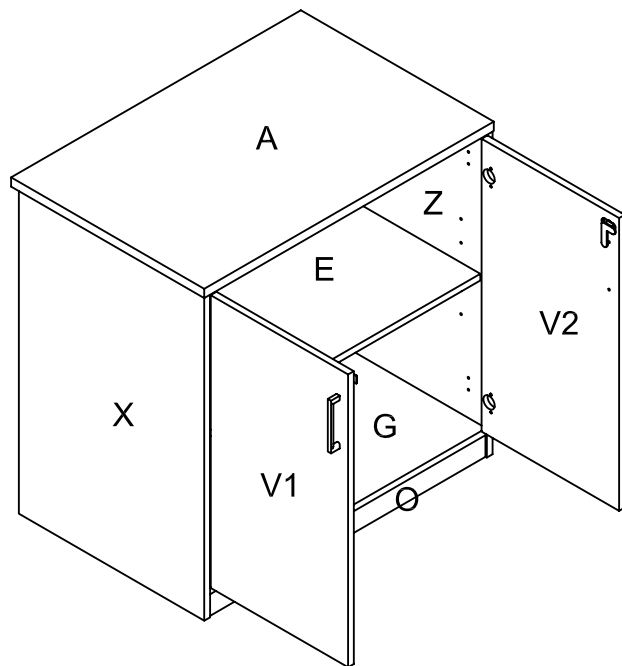
5



6



7

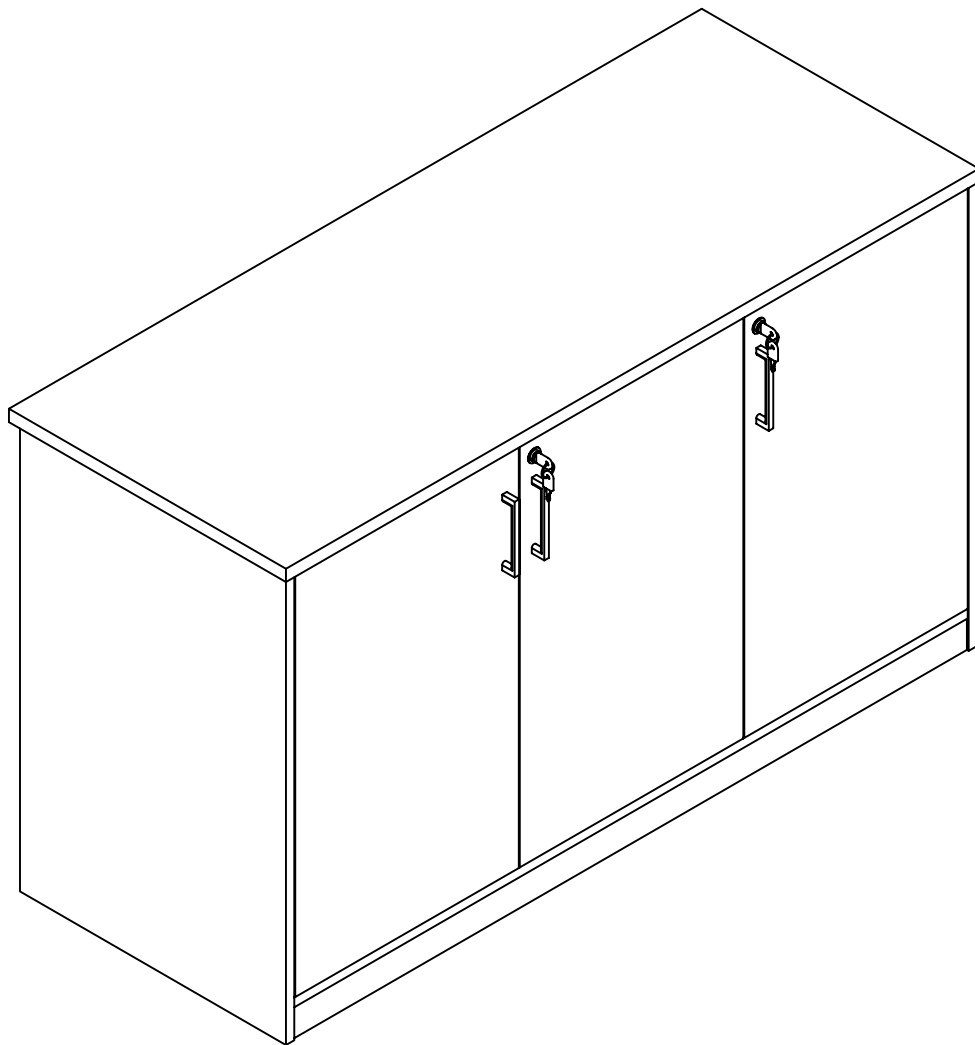


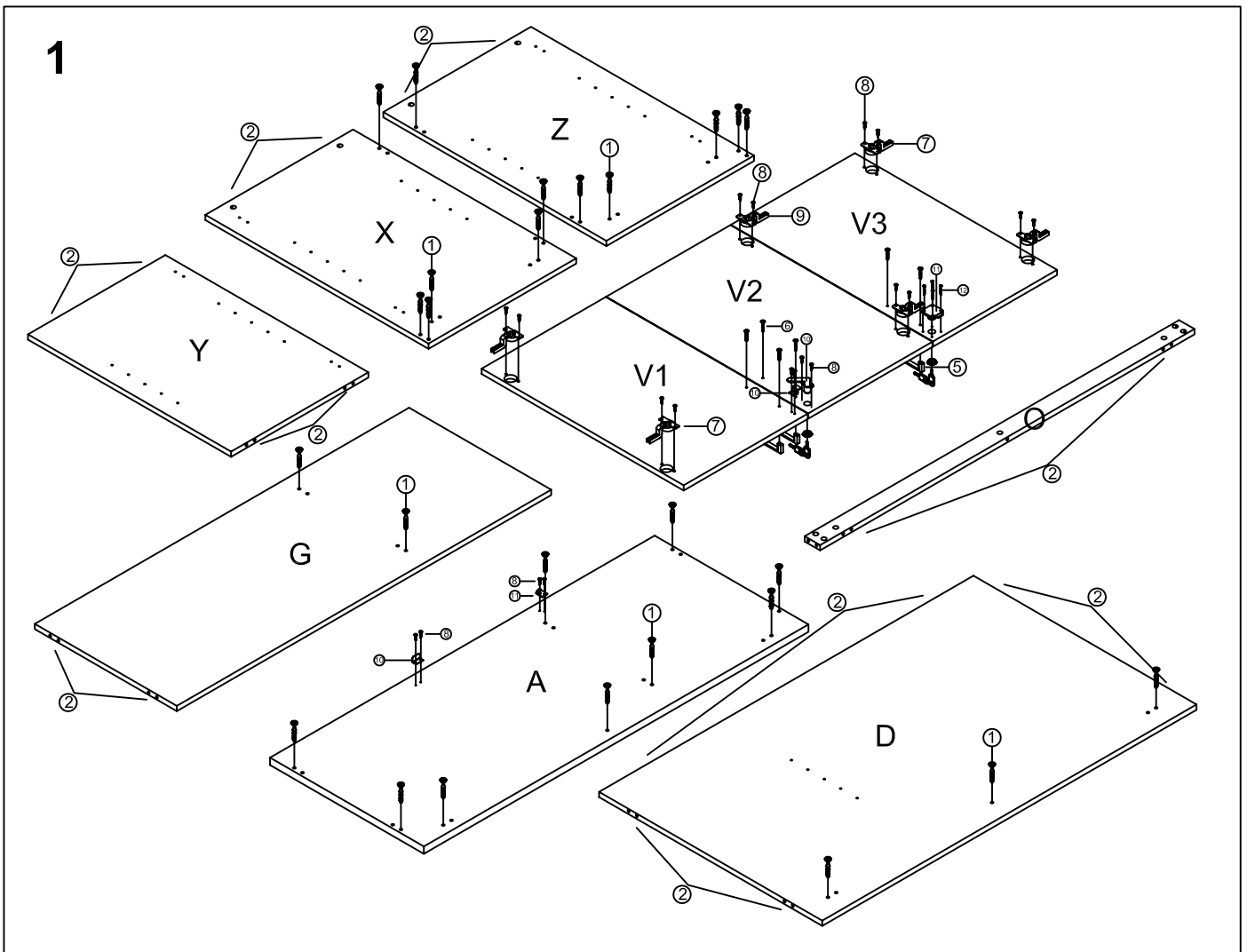
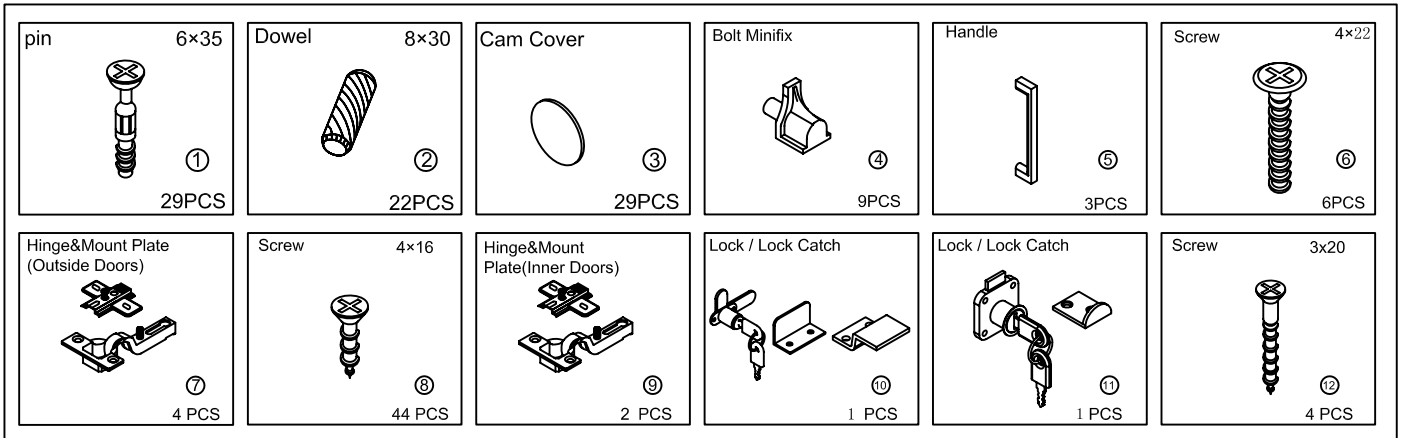
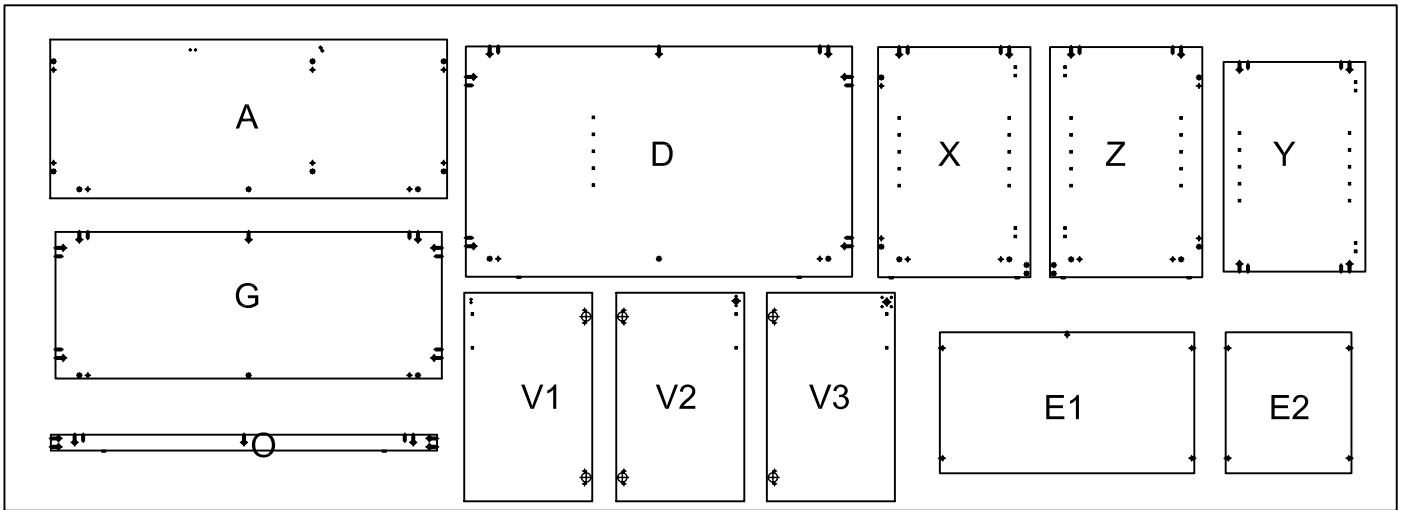


# ASSEMBLY INSTRUCTIONS

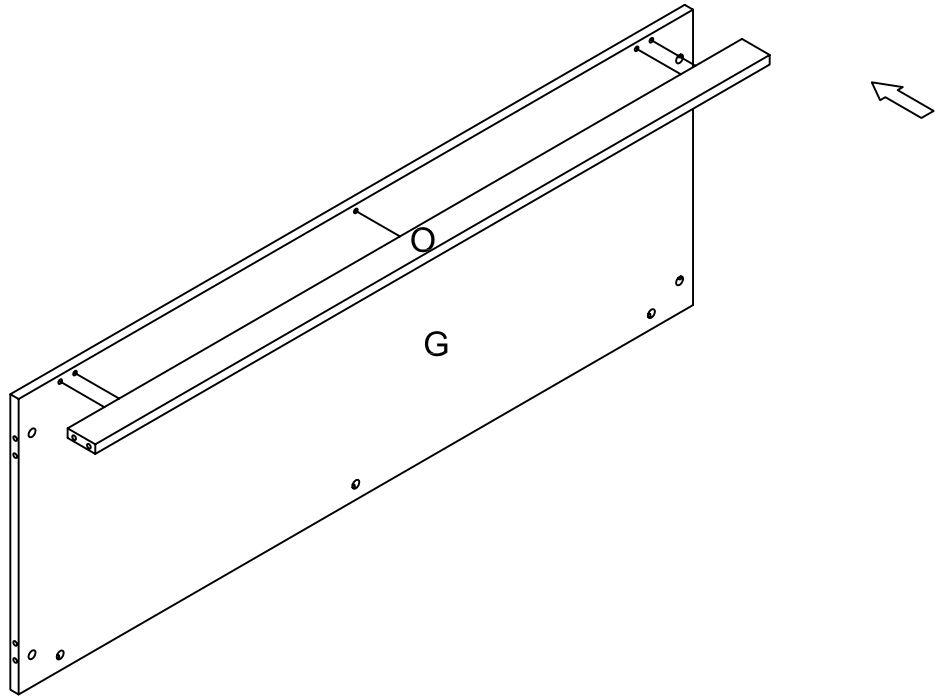
## Hinged Door Cupboard W1500

### HINGCU15

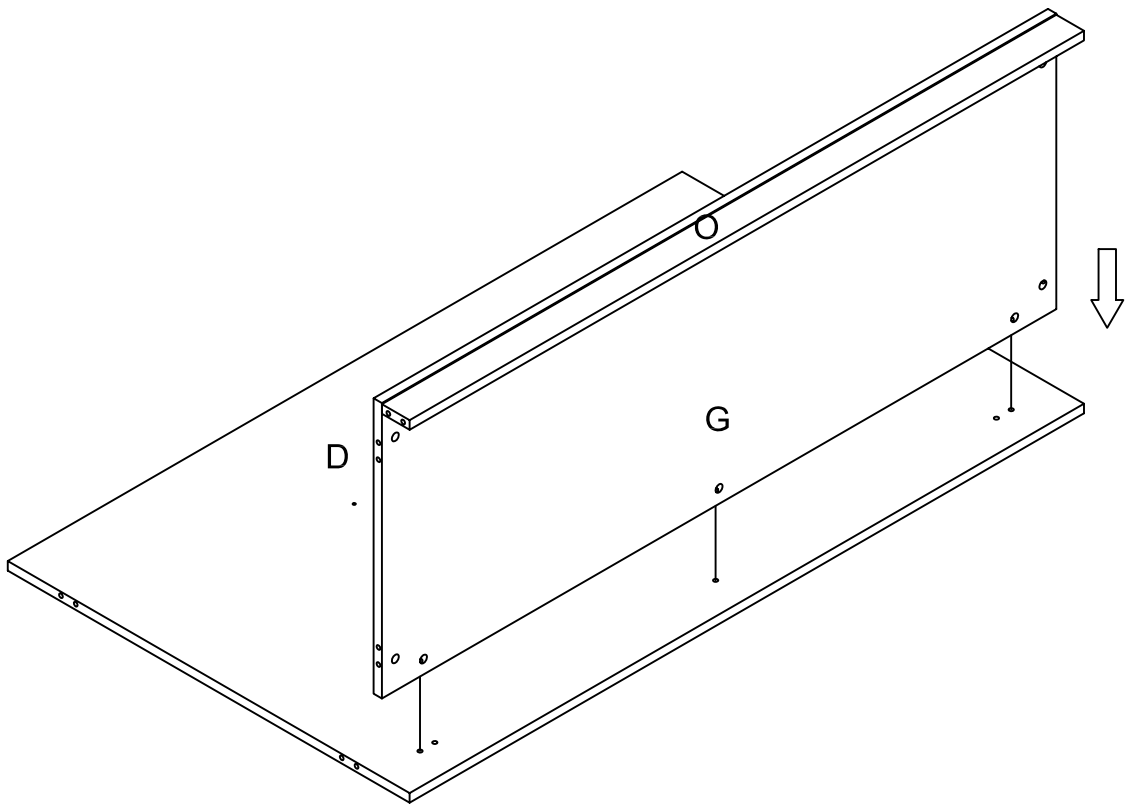




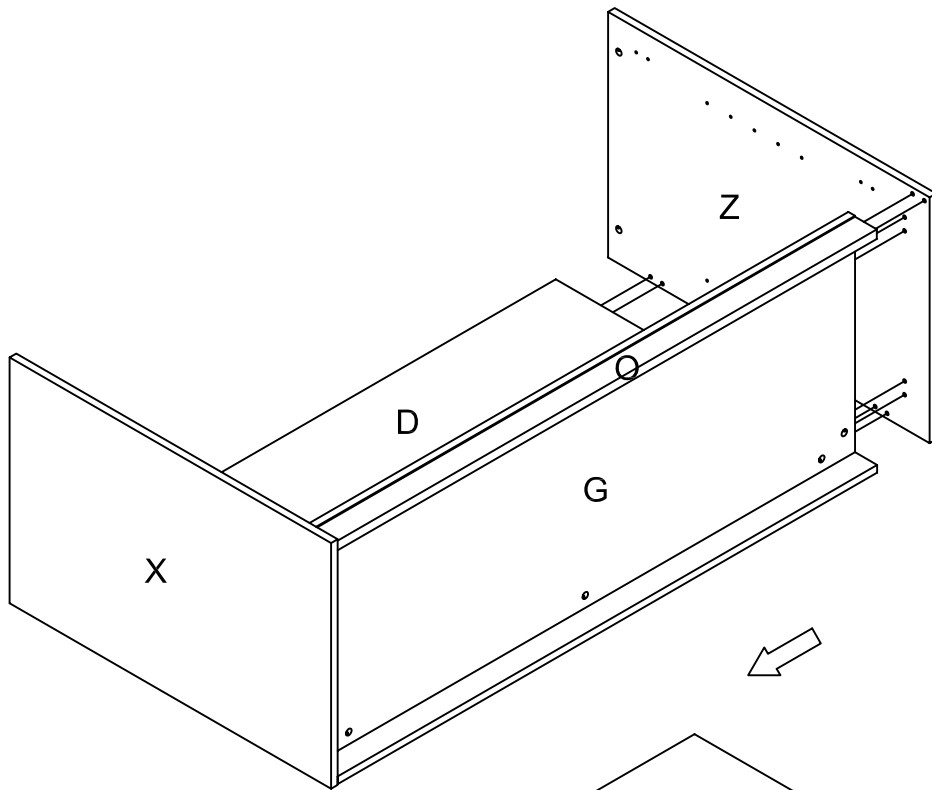
2



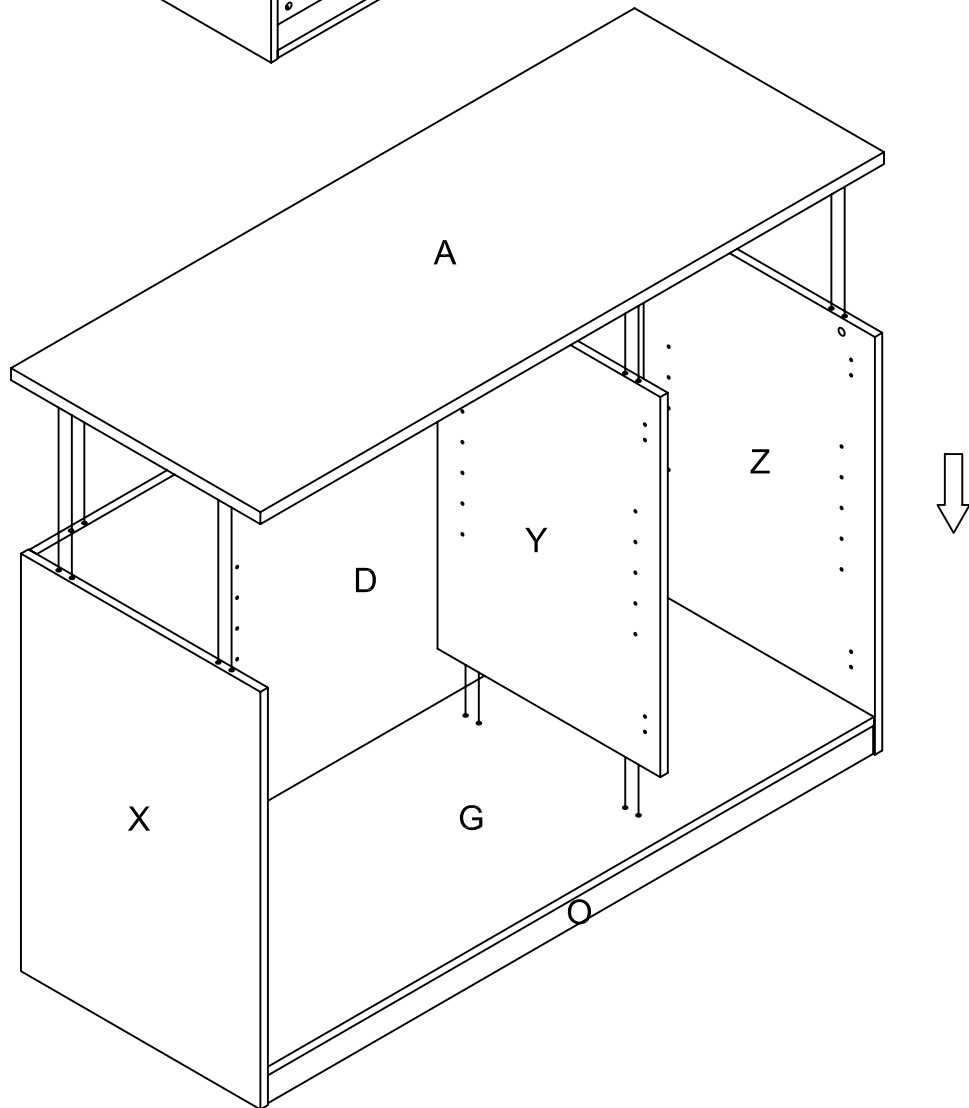
3



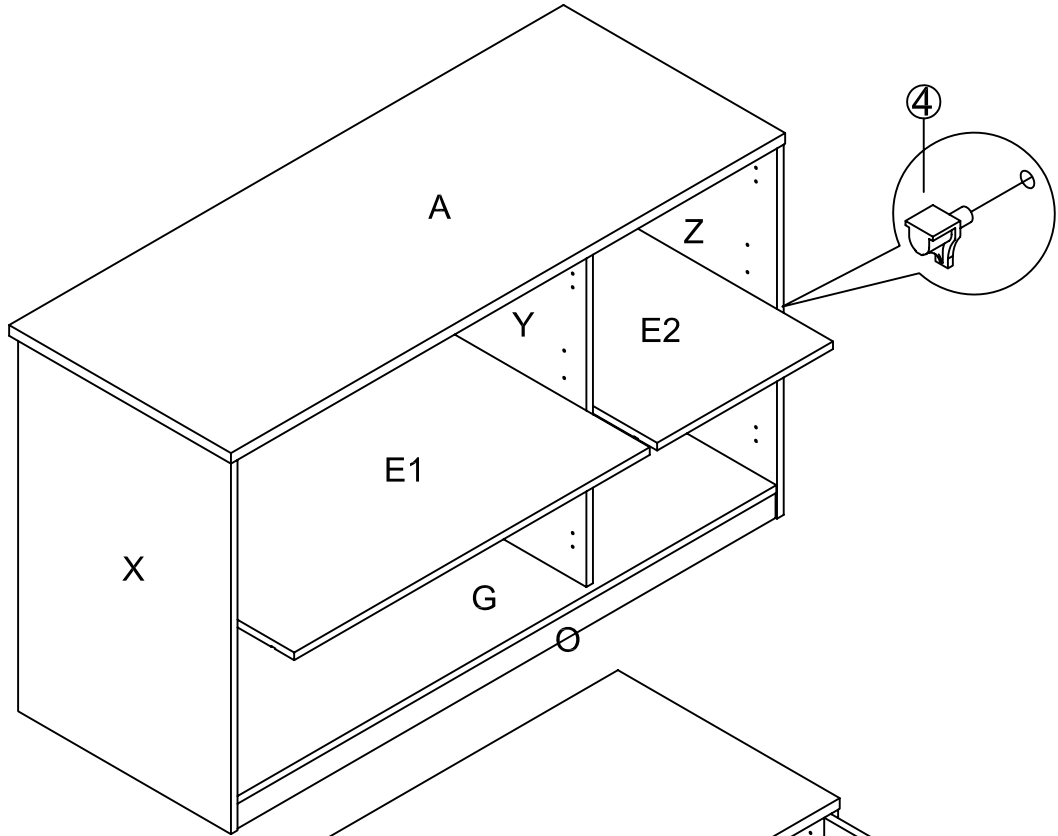
4



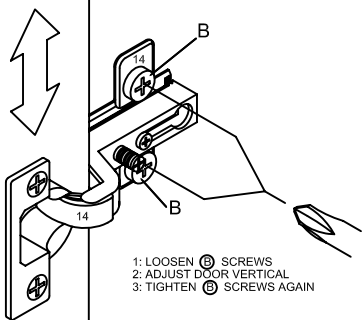
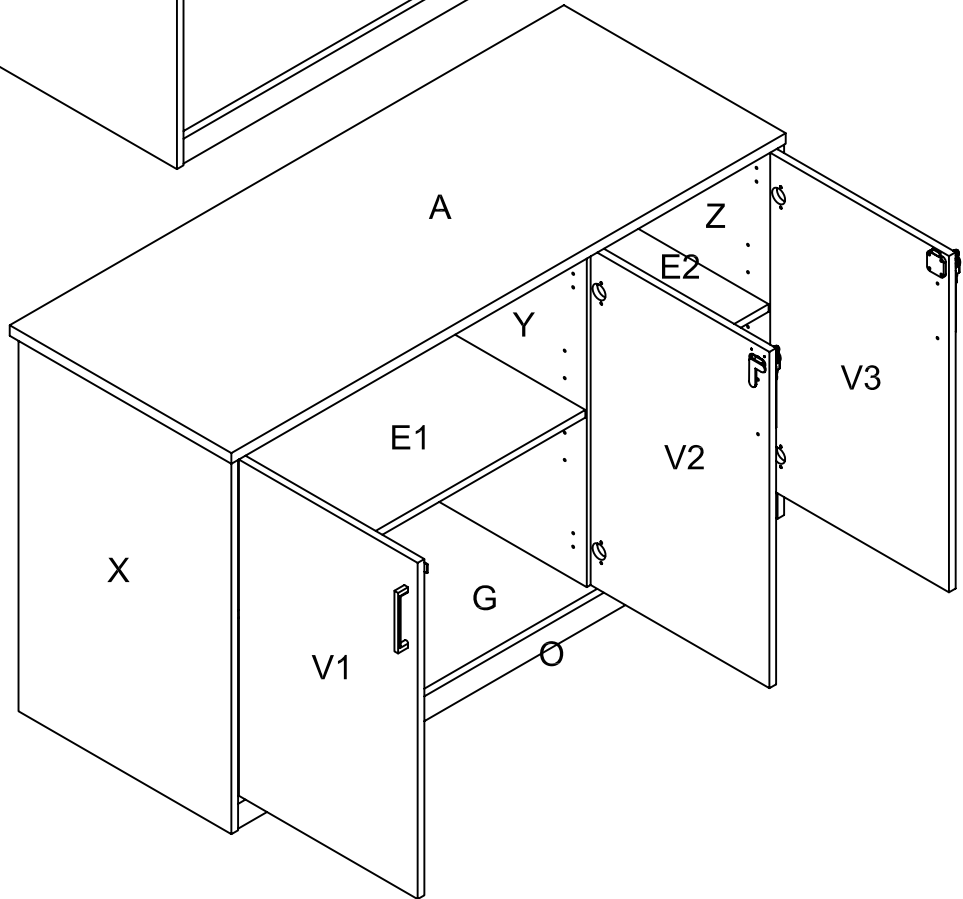
5



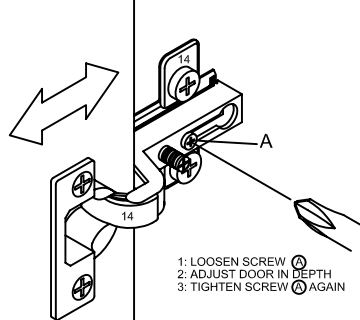
6



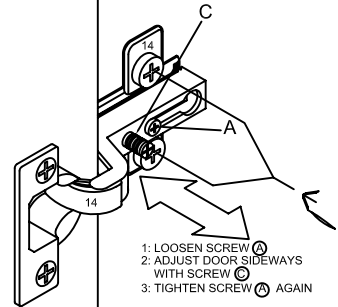
7



- 1: LOOSEN ⓐ SCREWS
- 2: ADJUST DOOR VERTICAL
- 3: TIGHTEN ⓐ SCREWS AGAIN



- 1: LOOSEN SCREW ⓐ
- 2: ADJUST DOOR IN DEPTH
- 3: TIGHTEN SCREW ⓐ AGAIN



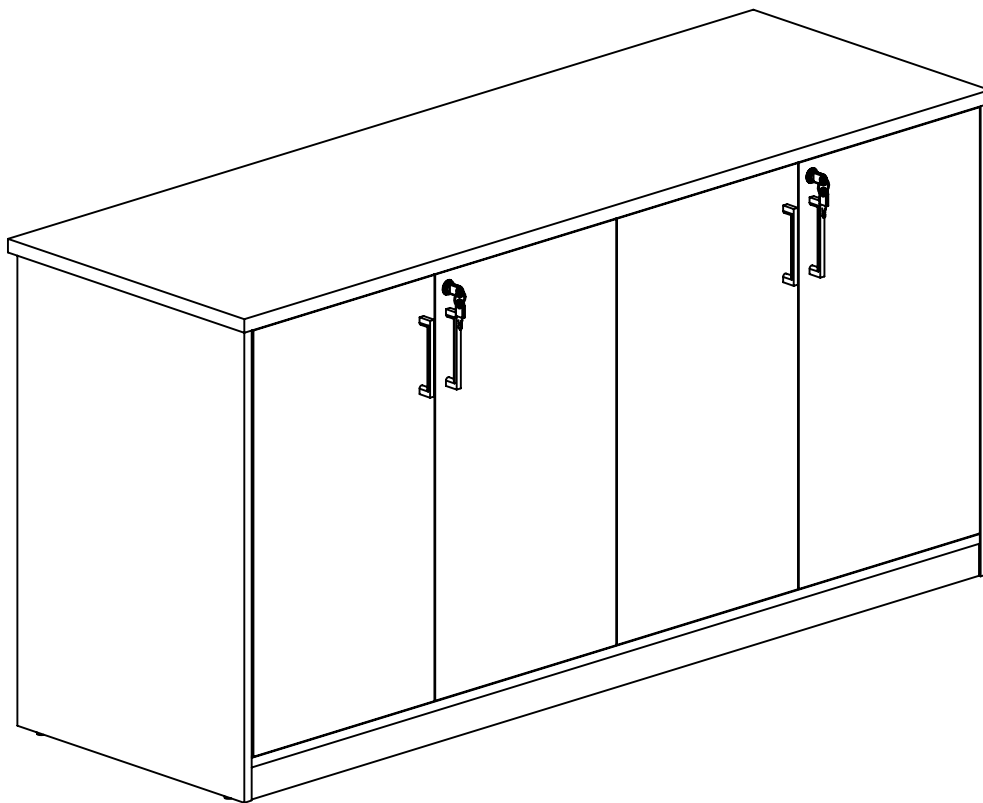
- 1: LOOSEN SCREW ⓐ
- 2: ADJUST DOOR SIDWAYS WITH SCREW ⓐ
- 3: TIGHTEN SCREW ⓐ AGAIN

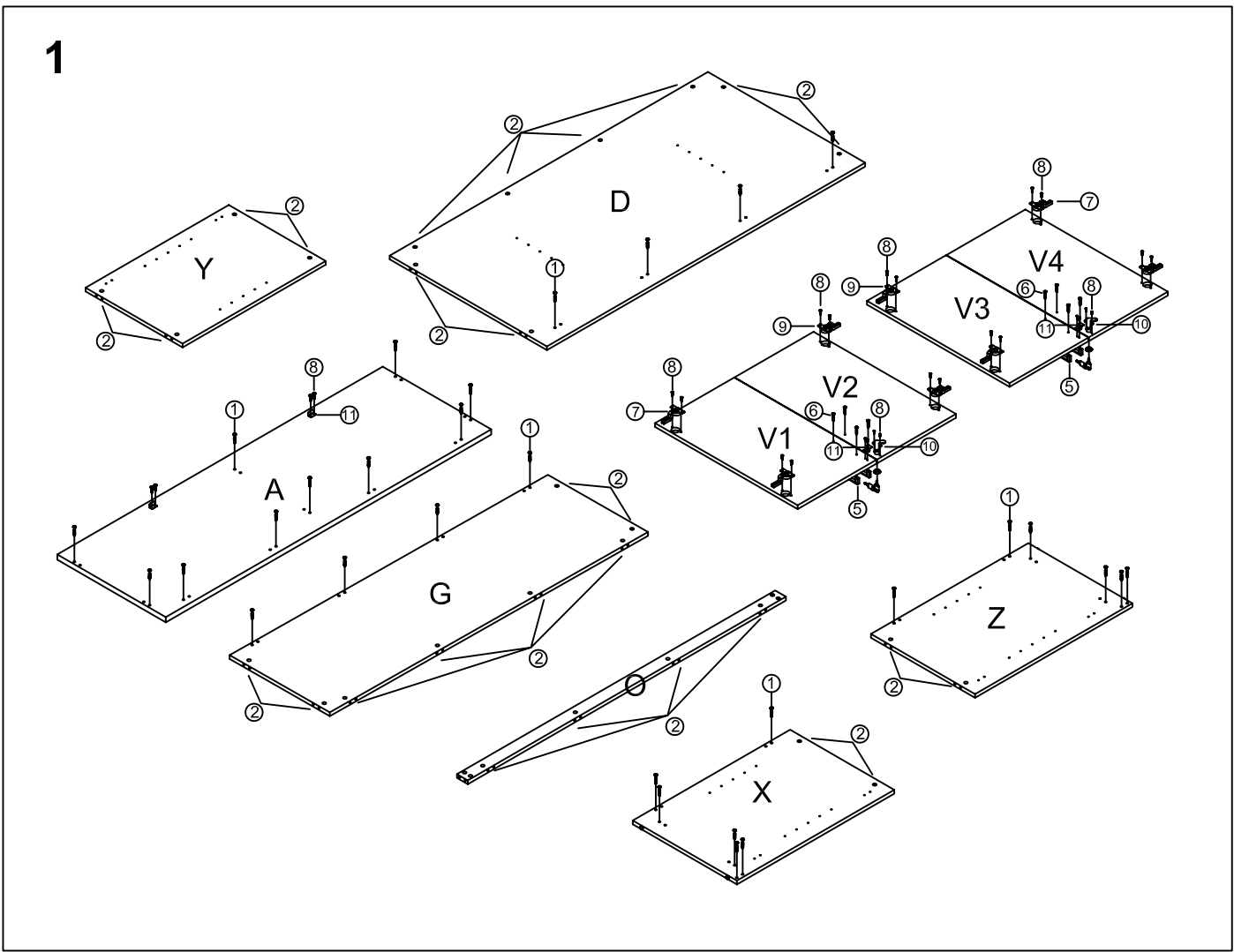
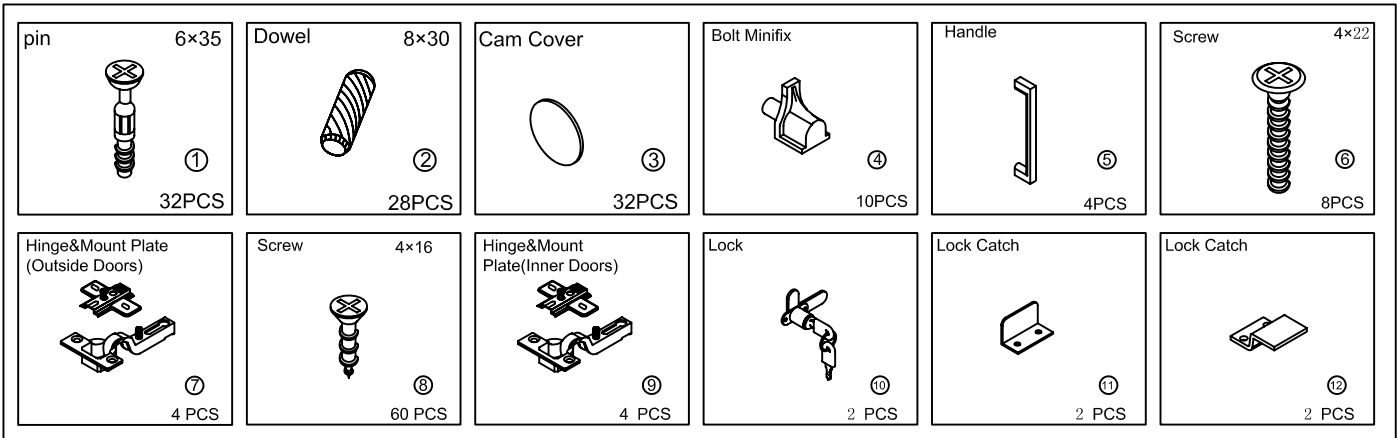
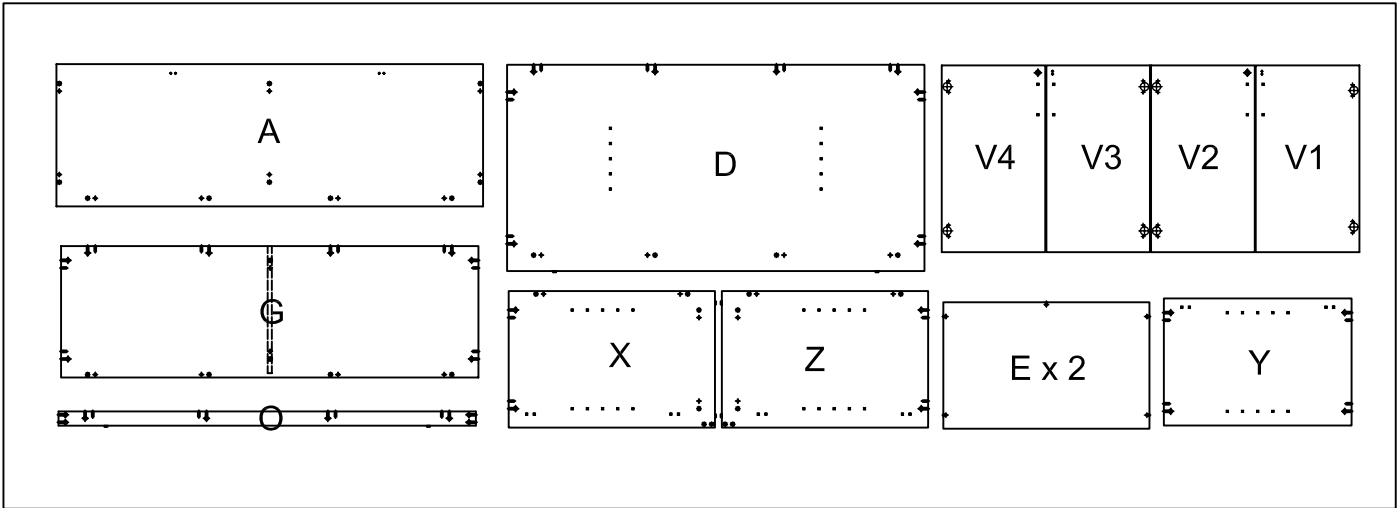


# ASSEMBLY INSTRUCTIONS

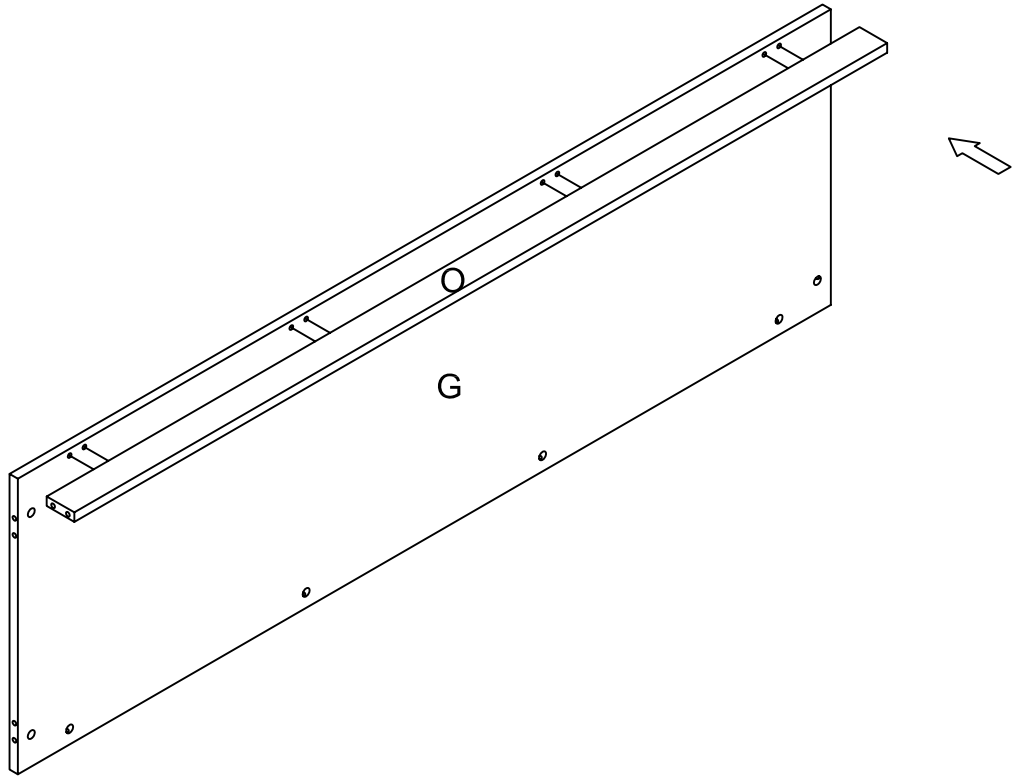
## Hinged Door Cupboard W1800

### HINGCU18

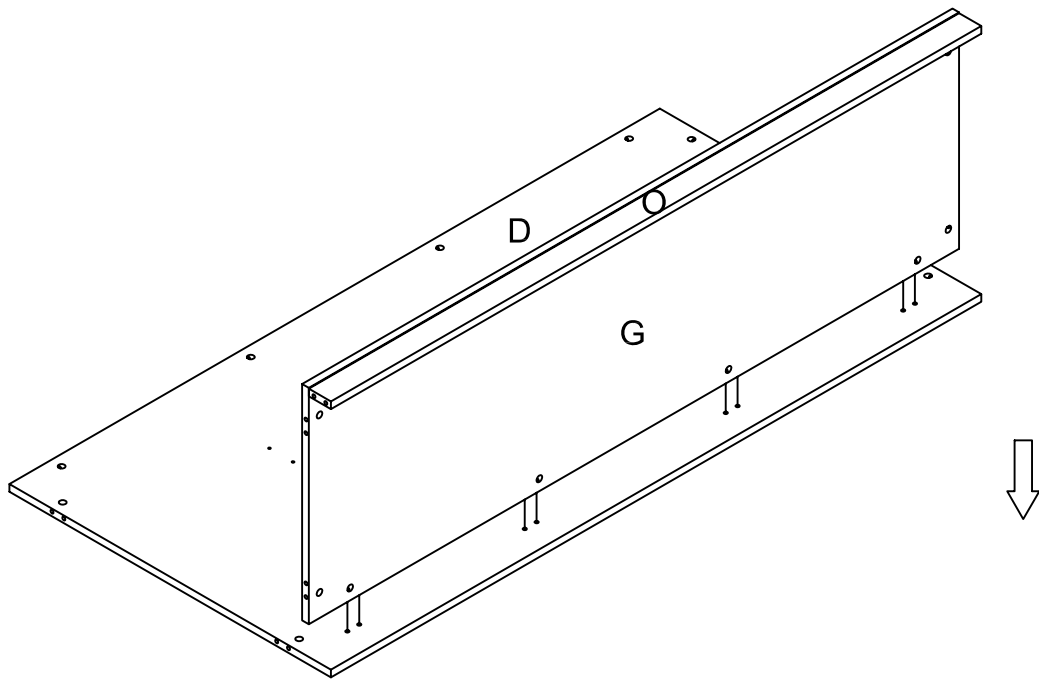




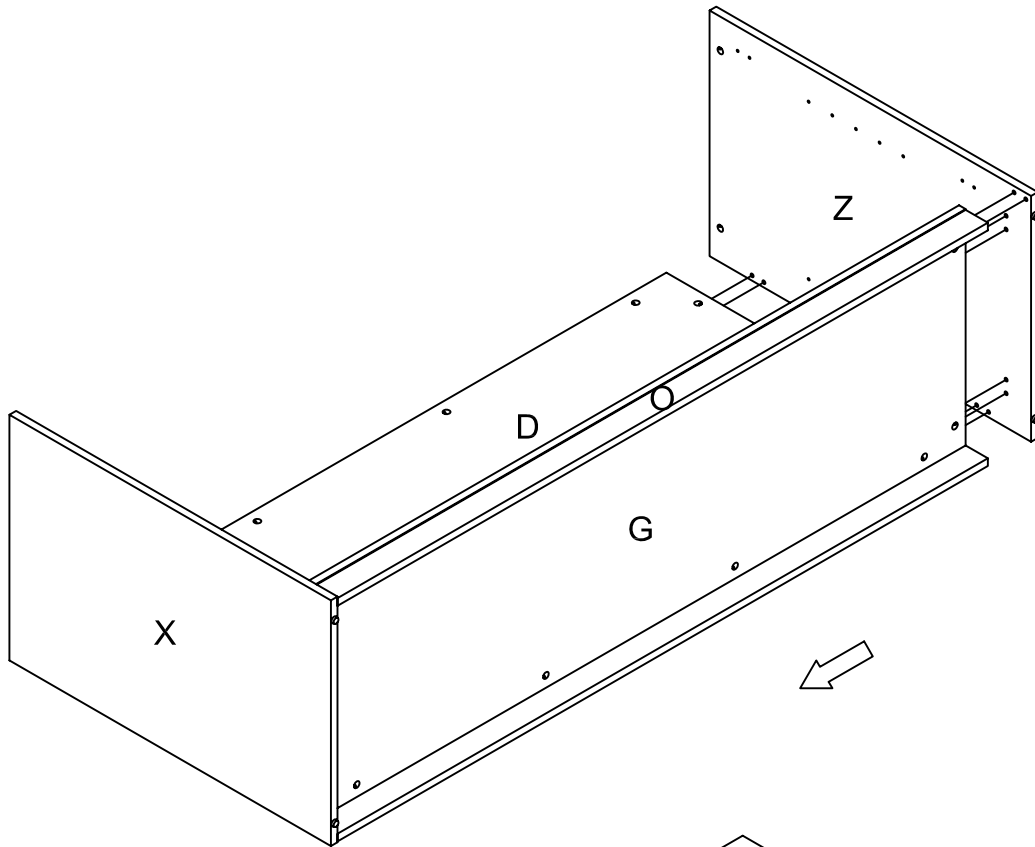
2



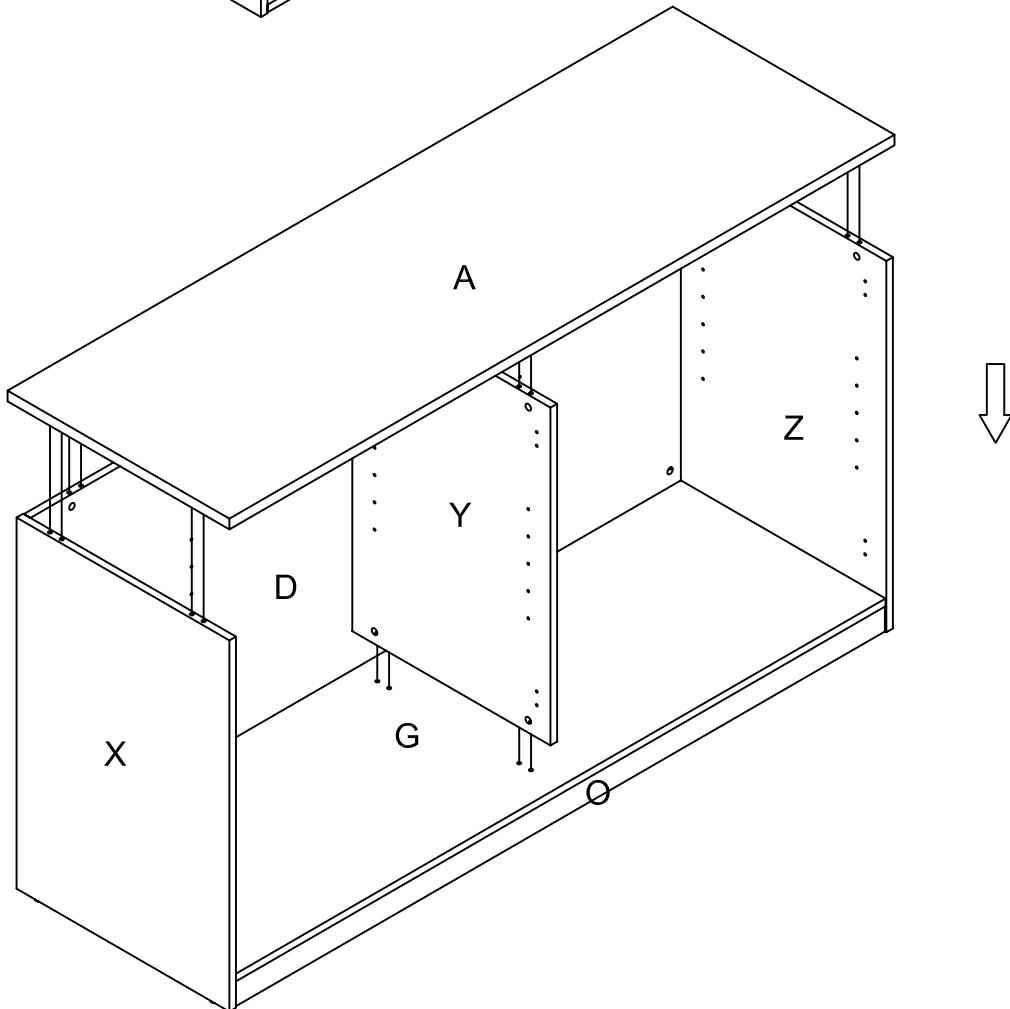
3



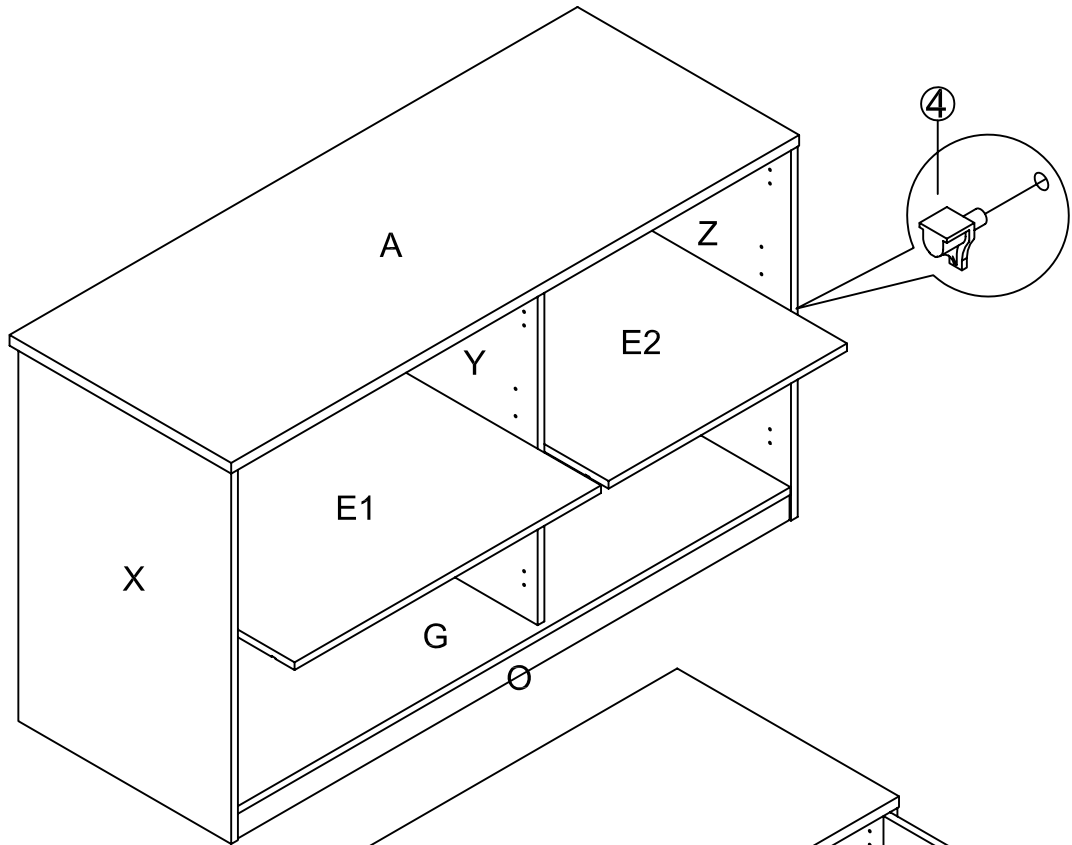
4



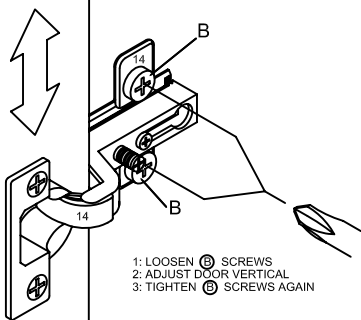
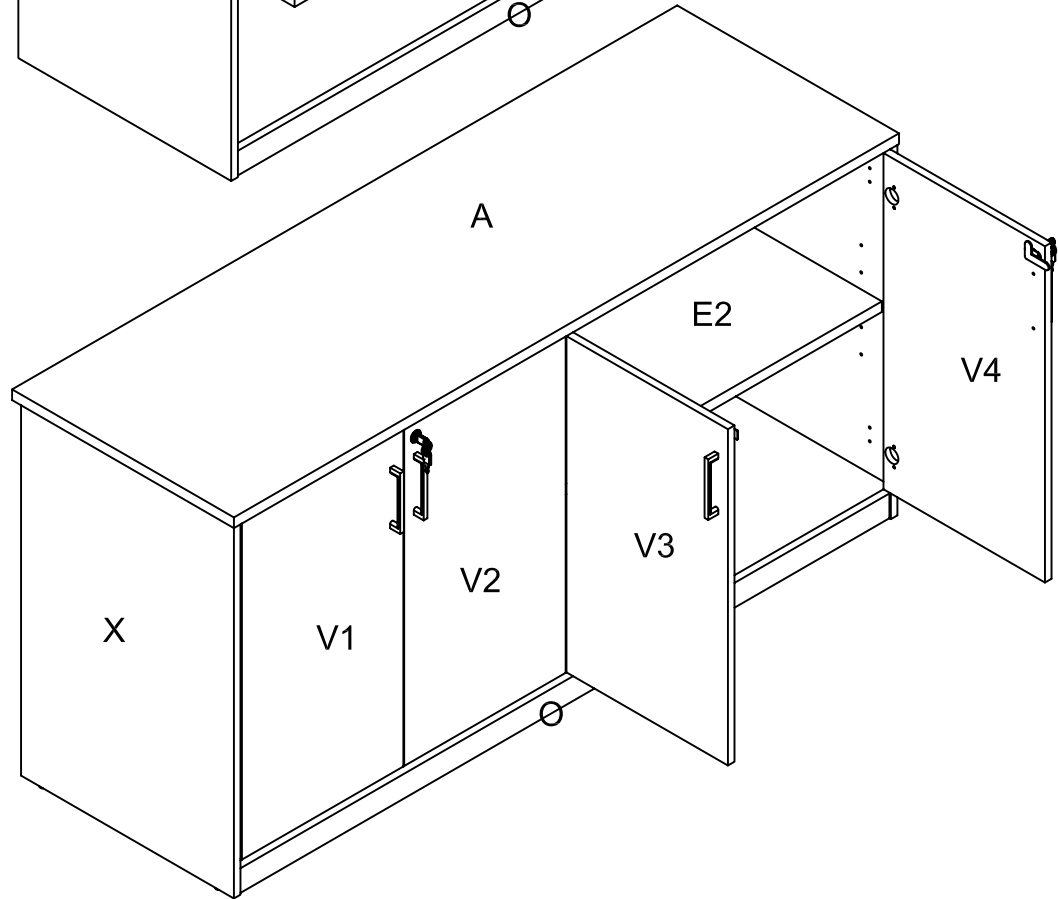
5



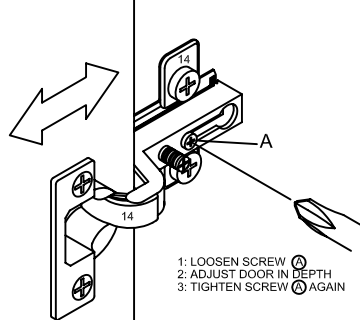
6



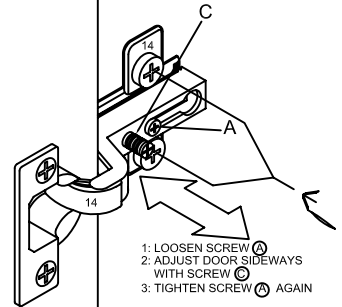
7



- 1: LOOSEN ⓑ SCREWS
- 2: ADJUST DOOR VERTICAL
- 3: TIGHTEN ⓑ SCREWS AGAIN



- 1: LOOSEN SCREW ⓐ
- 2: ADJUST DOOR IN DEPTH
- 3: TIGHTEN SCREW ⓐ AGAIN



- 1: LOOSEN SCREW ⓐ
- 2: ADJUST DOOR SIDWAYS WITH SCREW ⓐ
- 3: TIGHTEN SCREW ⓐ AGAIN